

**Series 4, fully-integrated dishwasher,
60 cm
SMV4EAX23G**



Optional accessories

SGZ0BI01 : decorative strips stainless steel 81,5cm
 SGZ0IC00 :
 SGZ1010 : inlet and outlet hose extension
 SGZ8BI00 :
 SMZ2056 :
 SMZ5003 : Retractable hinge f. high corpus dimens.
 SMZ5035 : Decor conversion kit, stainless steel
 SMZ5300 :

**Better drying performance with the
connected dishwasher for smart remote
control.**

- **EfficientDry:** improved drying performance by automatic door opening.
- **Silence Pro:** the extremely quiet 40 dB dishwasher.
- **InfoLight:** a red infolight on the floor indicates whether the dishwasher is switched on or off.
- **VarioFlex baskets:** easily adjustable to create more space for your dishes.
- **Home Connect:** home appliances with smart connectivity for an easier everyday life.

Technical Data

Energy Efficiency Class: C
 Energy Consumption for 100 cycles Eco Programme: 74 kWh
 Maximum number of place settings: 13
 The water consumption of the eco programme in liters per cycle: 9.0 l
 Programme duration: 3:20 h
 Airborne acoustical noise emissions : 40 dB(A) re 1 pW
 Airborne acoustical noise emission class: B
 Cleaning performance: A
 Water consumption: 9.0 l
 Total annual water consumption 220 days: 1980 l
 Built-in / Free-standing: Built-in
 Removable top: No
 Door panel options: Not possible
 Height of removable worktop: 0 mm
 Height of the appliance: 815 mm
 Adjustable feet: Yes - all from front
 Maximum adjustability feet: 60 mm
 Adjustable plinth: Both horizontal and vertical
 Net weight: 41.2 kg
 Gross weight: 43.0 kg
 Connection Rating: 2400 W
 Fuse protection: 10 A
 Voltage: 220-240 V
 Frequency: 50; 60 Hz
 Length electrical supply cord: 175.0 cm
 Plug type: GB plug
 Length inlet hose: 165 cm
 Length outlet hose: 190 cm
 Hidden heating element: Yes
 Water protection system description: Triple water protection 24h
 Child safety devices: No
 Water softener: Yes
 Top basket type: mid
 Adjustable upper basket: Rackmatic 3-stage
 Bottom basket type: mid
 3rd Rack: None
 Optional accessories: SGZ0BI01, SGZ0IC00, SGZ1010, SGZ8BI00, SMZ2056, SMZ5003, SMZ5035, SMZ5300
 Included accessories 2: steam protection
 Number of place settings: 13
 Dimensions of the product (HxWxD): 815 x 598 x 550 mm
 Dimensions of the packed product (HxWxD): 880 x 660 x 670 mm



Series 4, fully-integrated dishwasher, 60 cm SMV4EAX23G

Better drying performance with the connected dishwasher for smart remote control.

Performance

- Energy Efficiency Class¹: C
- Energy² / Water³: 74 kWh / 9 litres
- Capacity: 13 place settings
- Programme duration⁴: 3:20 (h:min)
- Noise level: 40 dB(A) re 1 pW
- Noise Efficiency Class: B
- Noise level (silence programme): 39 dB(A) re 1 pW

Programmes / functions

- 6 programmes: Eco 50 °C, Auto 45-65 °C, Intensive 70 °C, Express 65°, Silence 50 °C, Favourite
- Default favourite programme: Pre-Rinse
- 4 special options: Remote Start, Efficient Dry, Half Load, SpeedPerfect+
- Add-On functions via Home Connect app: Hygiene+, Silence on Demand
- Machine Care

Flexible design elements

- Vario Flex baskets
- 3 stage Rackmatic height-adjustable top basket
- Low friction wheels on lower basket
- Rack Stopper to prevent derailing of bottom basket
- 2 foldable plate racks in top basket
- 4 foldable plate racks in bottom basket
- Knife rack in top basket
- Moveable cutlery basket in lower rack
- Upper rack cup shelf

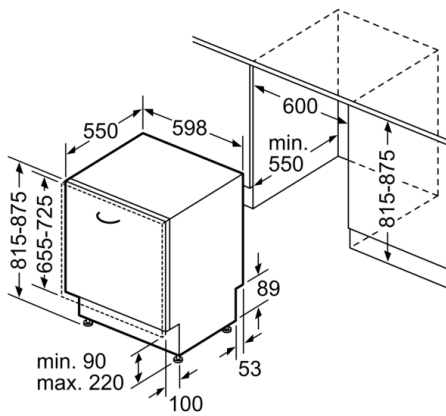
Innovations and technology

- Home Connect ready on WLAN
- Efficient Dry and Heat Exchanger
- DosageAssist detergent dispenser
- EcoSilence BLDC drive
- Automatic detergent detection
- AquaSensor III
- AquaMix - Glass protection system

Design features

- Push button top edge controls
- InfoLight (Red) - Light projection on the floor
- Time delay (3, 6 or 24 hours)
- Acoustic end of cycle indicator
- AquaStop: Bosch's warranty in case of water damage - for the lifetime of the appliance. Please find warranty terms under <https://www.bosch-home.co.uk/customer-service/care-protection-and-parts/additional-warranties>
- Self-cleaning filter system with 3 piece corrugated filter
- steam protection plate
- Stainless steel interior
- Dimensions (HxWxD): 81.5 x 59.8 x 55cm
- ¹ Scale of Energy Efficiency Classes from A to G
- ² Energy consumption in kWh per 100 cycles (in programme Eco 50 °C)
- ³ Water consumption in litres per cycle (in programme Eco 50 °C)
- ⁴ Duration of programme Eco 50 °C

Series 4, fully-integrated dishwasher, 60 cm SMV4EAX23G



measurements in mm

