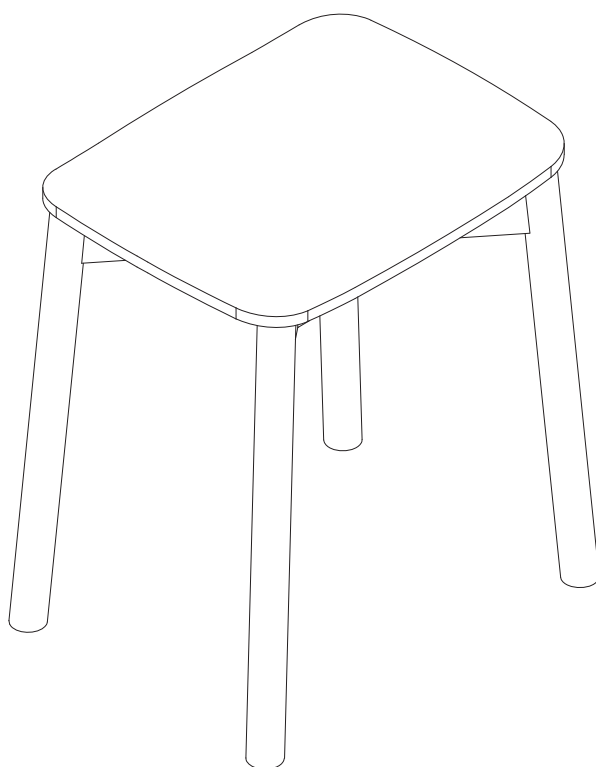


Nina

 habitat



Spare Parts

 www.argos-support.co.uk

 Help@ClickSpares.co.uk

 0370 112 1928

Customer Support

 0345 640 2020



Safety and Care Advice

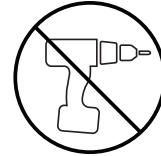
Product Details

Nina Side Table / 5253869

Nina Side Table / 144123763

IMPORTANT, RETAIN FOR FUTURE REFERENCE: READ CAREFULLY.

- Keep children and animals away from the work area, small parts could choke if swallowed.
- Assemble the item as close to its final position (in the same room) as possible.
- Assemble on a soft level surface to avoid damaging the unit or your floor.
- We do not recommend the use of power drill/drivers for inserting screws as this could damage the unit. Only use hand screwdrivers.
- Parts of the assembly will be easier with 2 people.
- Dispose of all packaging carefully and responsibly.



Care and maintenance

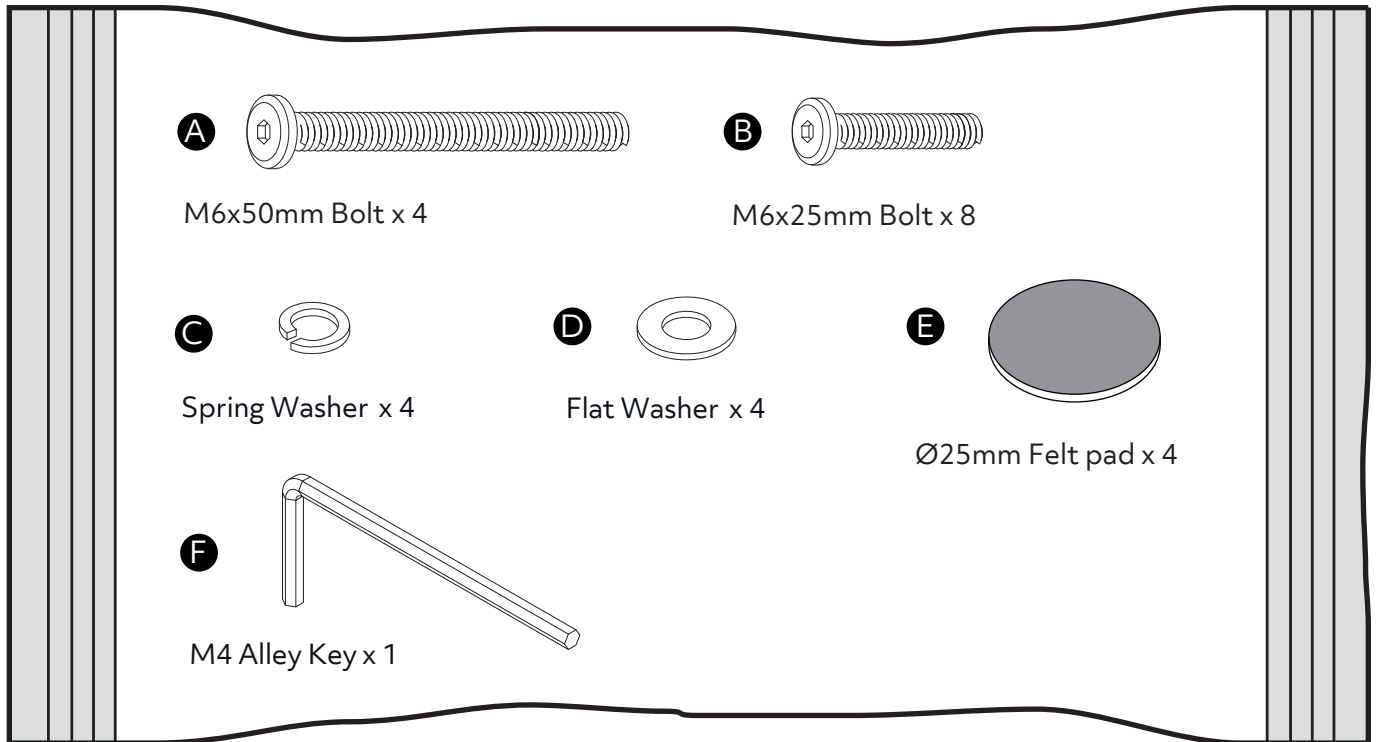
- Only clean using a damp cloth and mild detergent. Do not use abrasive cleaners.
- From time to time check that there are no loose screws, nuts or bolts. If there are please re-tighten.
- This product should not be discarded with household waste. Take to your local authority waste disposal centre.
- Use a dry cloth to clean the product, furniture polish is not recommended.

Additional Guidance

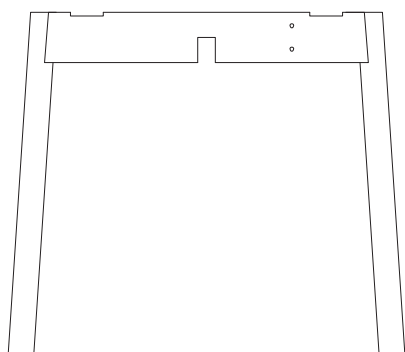
- Assemble all parts and bolts loosely during assembly, only once the product is complete should you fully tighten the bolts.
- Regularly check and ensure that all bolts and fittings are tightened properly.
- Maximum loading weight 50kg
- This product is compliant EN12521

Fittings (Shown to scale)

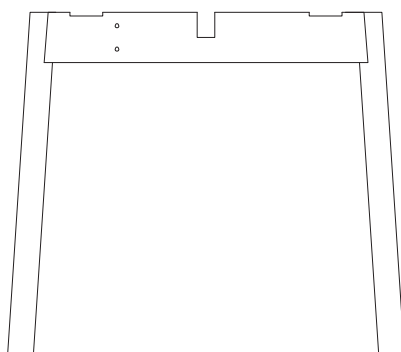
Bag 1



Parts



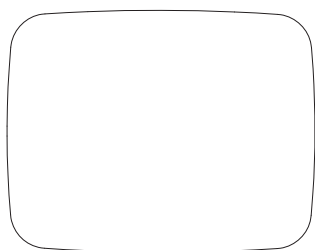
1 Up Leg Frame x 1
(537x 458mm)



2 Bottom Leg Frame x 1
(537x 458mm)

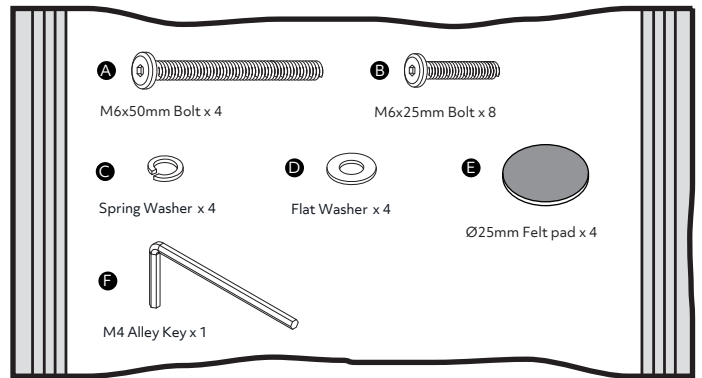
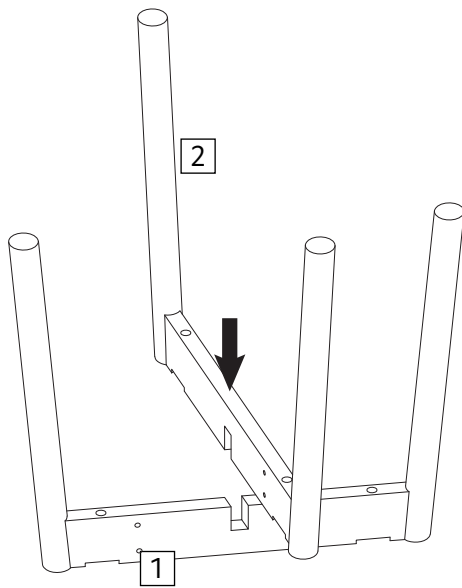


3 Support Rail x 2
(195 x 50mm)

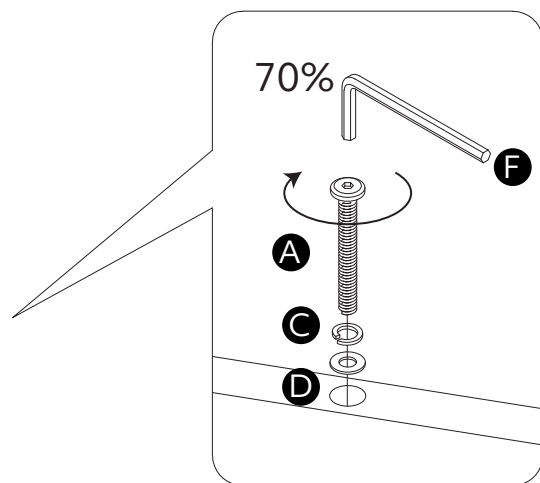
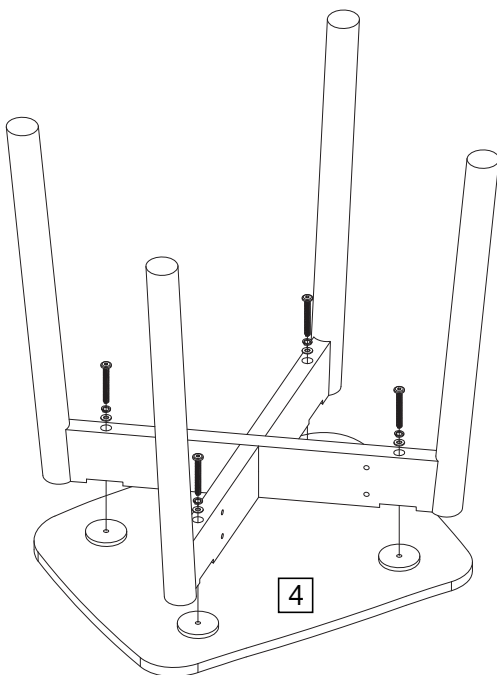
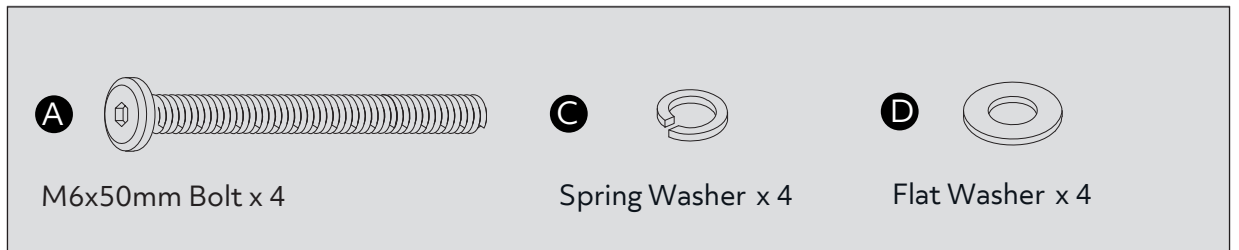


4 Table Top x 1
(420 x 330mm)

1

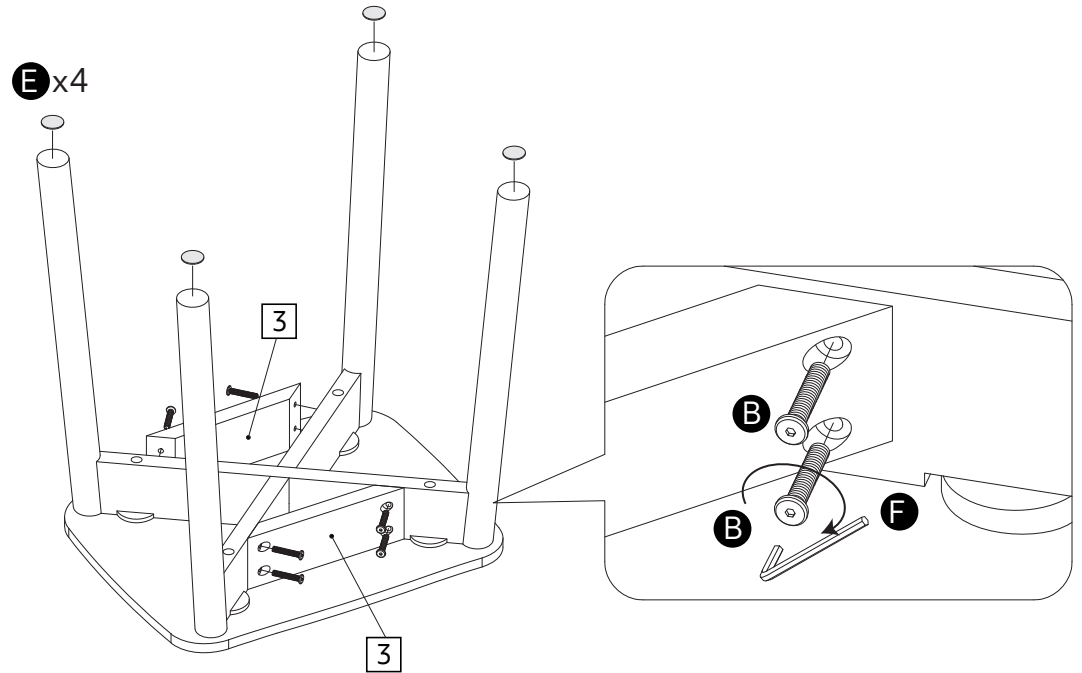
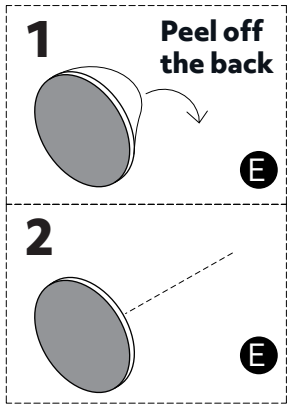
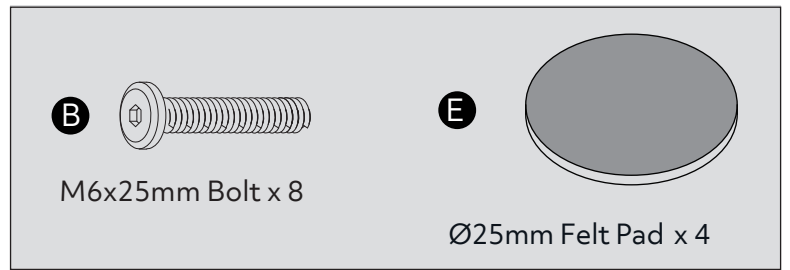


2

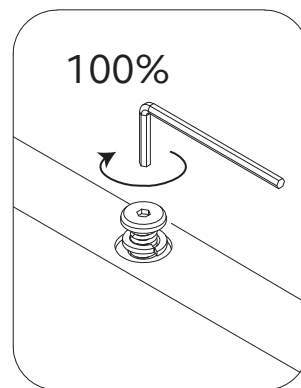
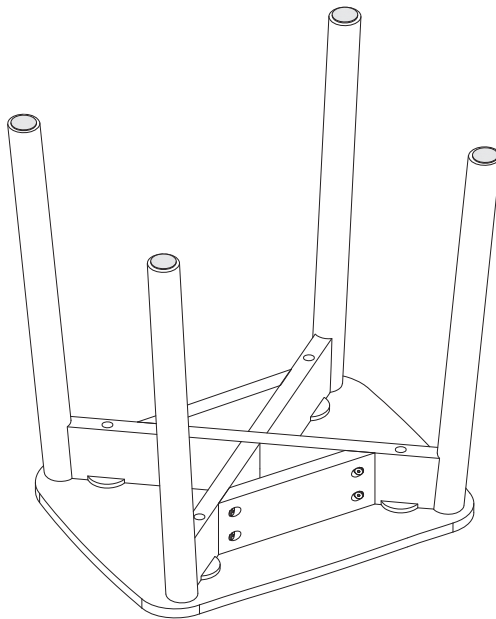


Warning!
Please do not fully tighten
the bolts in this step.

3

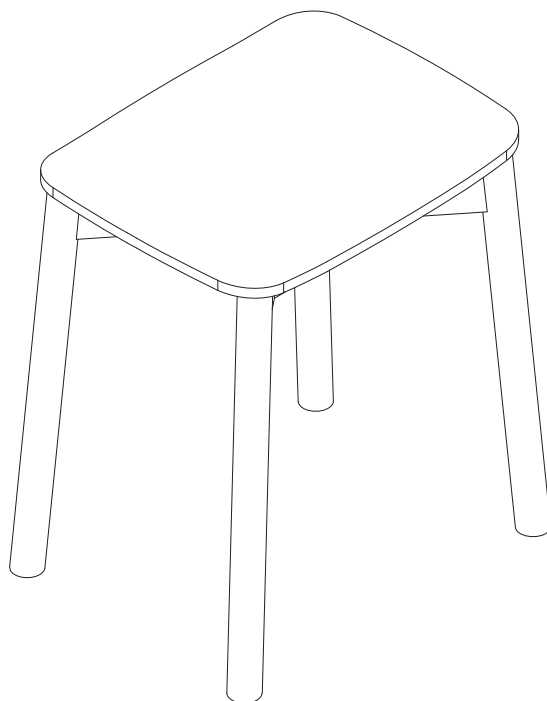
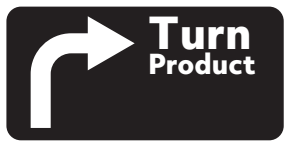


4



Warning!
Please fully tighten all the bolts in this step.

5



Assembly is complete.