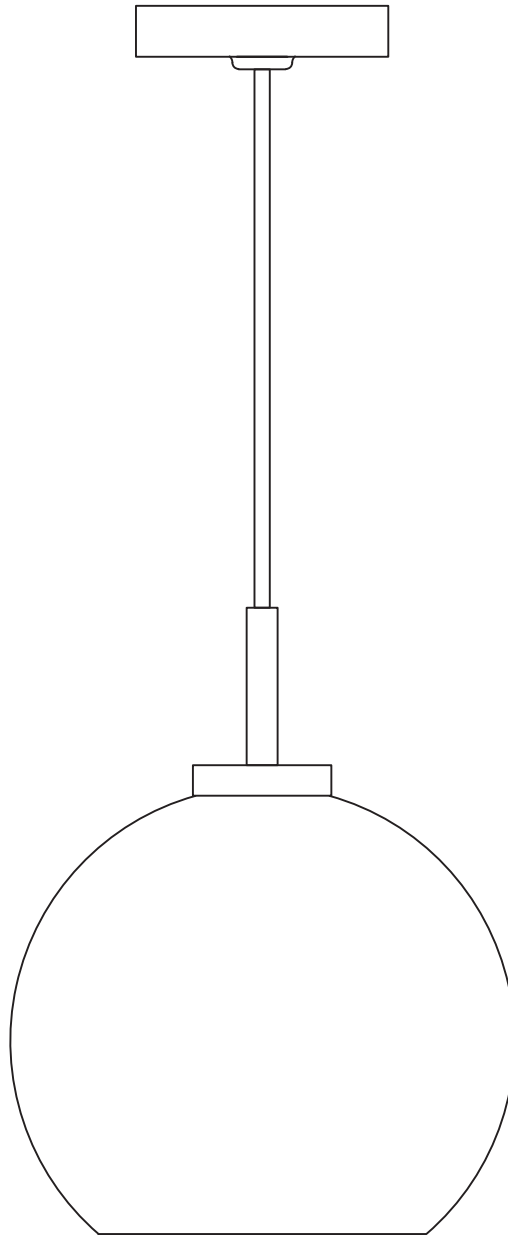


# 5250422 Luxe Chrome Glass Pendant

Assembly Instructions - Please retain for future reference



1

If you require any further assistance, you can contact us on 0345 640 2020 or visit [argos.co.uk](http://argos.co.uk)  
Produced in China. Sainsbury's Supermarkets, EC1N 2HT, UK. Sainsbury's (N.I.) Ltd,  
Forestside Shopping Centre, Upper Galwally, Belfast, BT8 6FX, UK.

HOME

# Components & Fittings

Please check you have all the components and fittings listed below

Before commencing assembly, please identify all components.

Do not discard the packaging, until the units is fully assembled to ensure that no fittings or components are disposed of.

## Specification

Product: Luxe Chrome Glass Pendant

Voltage: 220-240V AC 50Hz

Wattage: Max 15W LED

Bulb Type: E27



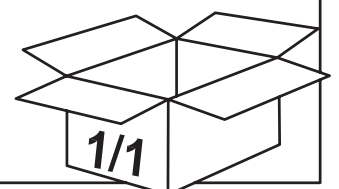
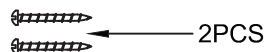
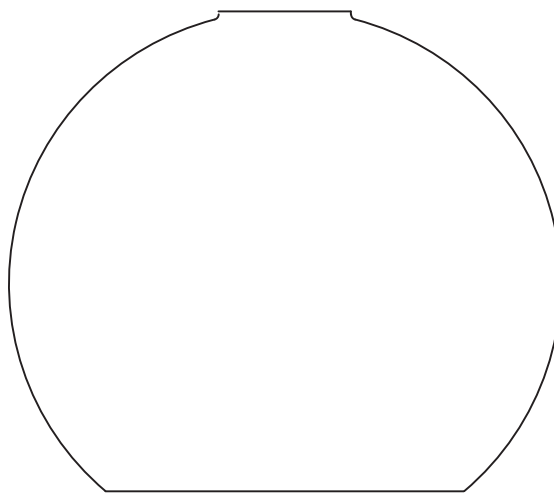
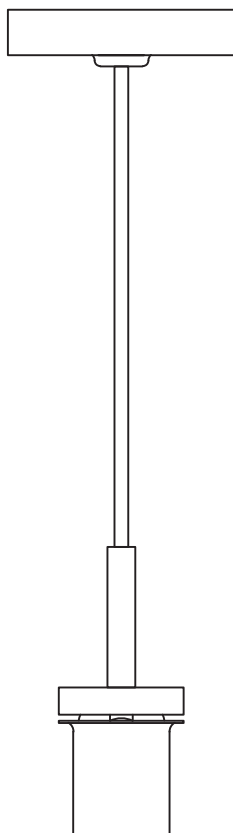
5250422



## Bulb not included

Please turn off the power supply when replacing the bulb.

## Components



# Installation instructions

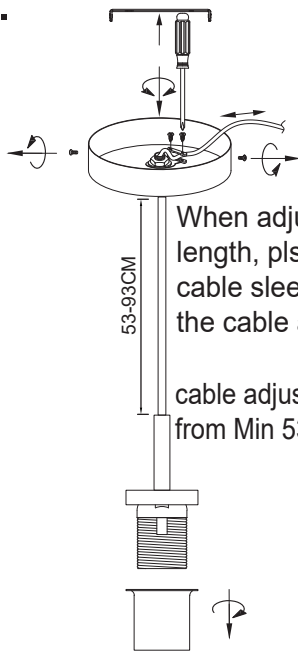
**Important** – Please retain for future reference

**This fitting is designed for indoor use only and must be fitted to a DRY SURFACE as any dampness in plaster or paint can damage the finish.**

**Do not use polish or abrasive cleaner - just a soft dry cloth.**

**Please turn off all Mains power before starting to install this light**

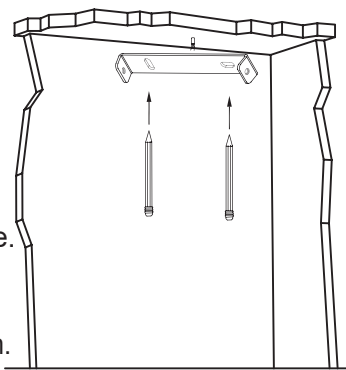
1.



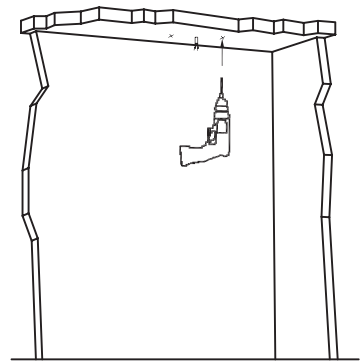
When adjust the cable length, pls move the cable sleeve to protect the cable at the same time.

cable adjustable length from Min 53cm to Max 93cm.

2.

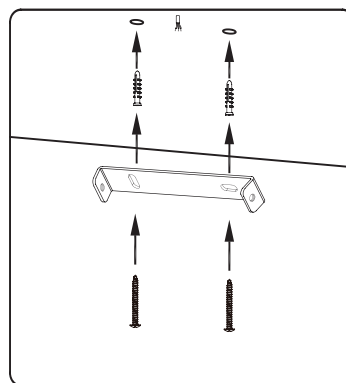
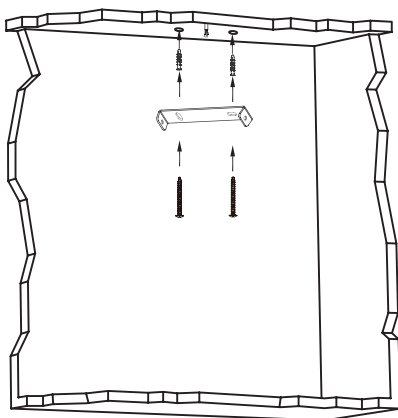


3.



“Ensure the holes are drilled into a joist or other suitable mounting surface and not just into plaster.”

4.

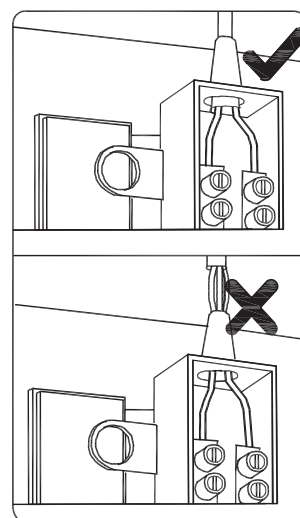
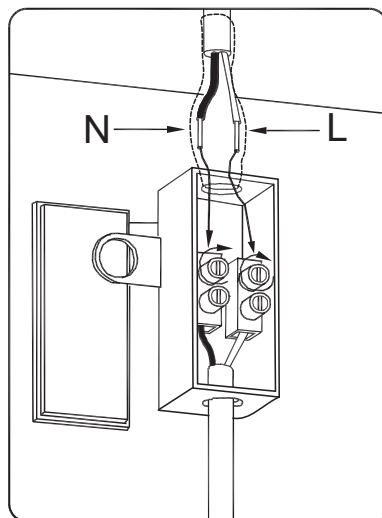
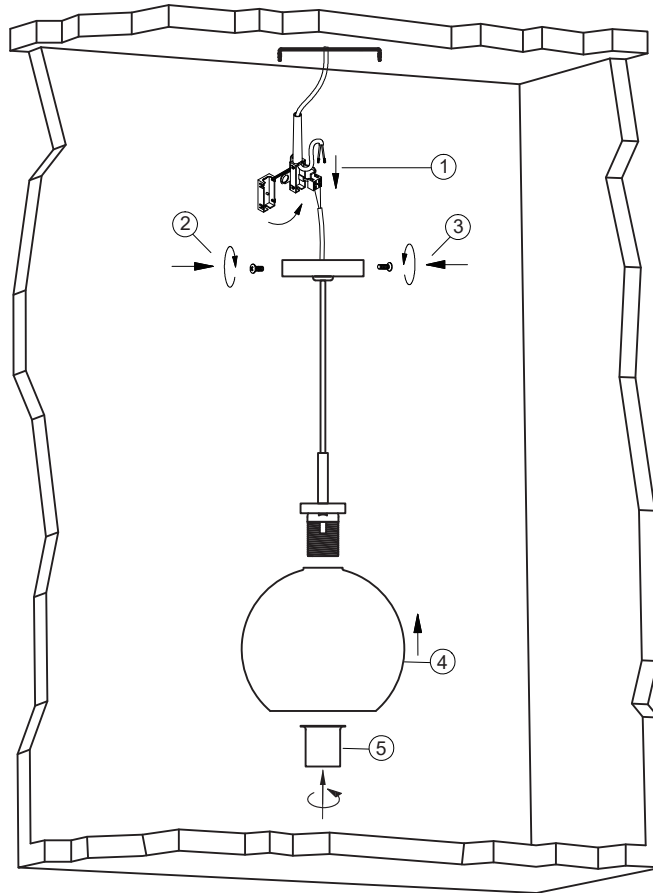


# Installation instructions

**Important** – Please retain for future reference

Please turn off all Mains power before starting to install this light

5.

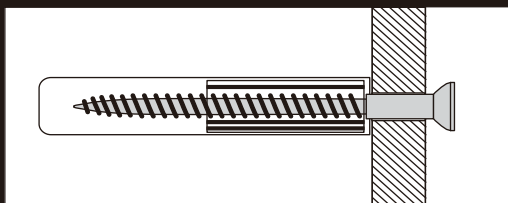


# Safety Information

**Important** – Please retain for future reference

## A Guide to


# Wall Mounting & Fixings



### IMPORTANT:

When drilling into walls always check that there are no hidden wires or pipes etc. Make sure that the screws and wall plugs being used are suitable for supporting your unit. Consult a qualified tradesperson if you are unsure.

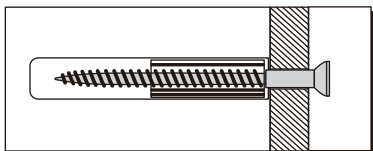
### HINTS:

- 1) General Rule  Always use a larger screw and wall plug if you are not sure.
- 2) Ensure you use the recommended drill bit to match the wall plug and hole size.
- 3) Ensure you drill the hole horizontally, do not force the drill or enlarge the hole.
- 4) Take extra care when drilling high walls, ceilings and ceramic tiles. Ensure the plug is fitting below the ceramic tile to avoid splitting or cracking.
- 5) Ensure wall plugs are well fitted and are a tight fit in the drilled hole.

### Types Of Walls

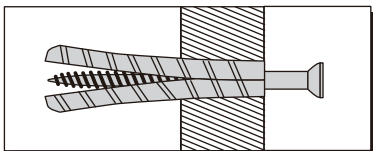
You can use one of the following types of wall plug if your walls are made of brick, breeze block, concrete, stone, wood or plaster board.

#### No.1 "Standard" Wall Plug General Wall Materials



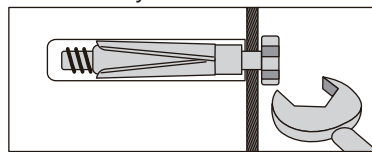
These come in various sizes and are made from plastic or sometimes wood fiber.

#### No.2 "General Purpose" Wall Plug Aerated / Breeze Block



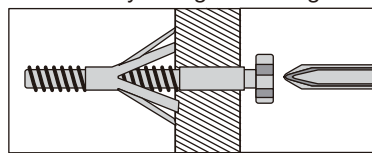
Generally aerated blocks should not be used to support heavy loads, use a specialist fitting in this case. For light loads, a General Purpose Plug can be used.

#### No.3 "Shield Anchor" Wall Plug Heavy Loads



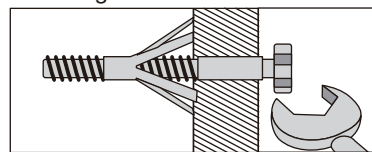
For use with heavier loads such as TV & HiFi Speakers and Satellite Dishes etc.

#### No.4 "Cavity Fixing" Wall Plug



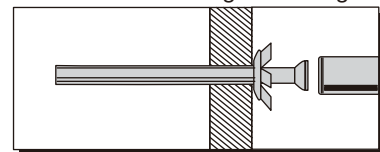
For use with plaster board partitions or hollow wooden doors.

#### No.5 "Cavity Fixing - Heavy Duty" Wall Plug



For use when fitting or supporting heavy loads such as shelving, wall cabinets, coat racks.

#### No.6 "Hammer Fixing" Wall Plug



For use with walls stuck with plaster board. The hammer fixing allows it to be fixed to the wall rather than the plaster board. Always check the fixing is secure to the retaining wall.

### CARE & MAINTENANCE

#### SAFETY

Always check the fitting and location to ensure your safety in and around the home.

#### FITTING

From time to time check the fitting to ensure the wall plugs or screws do not become loose.

# Safety Information

**Important** – Please retain for future reference



This fitting is double insulated and must not be earthed. If in doubt, we recommend you consult a qualified electrician.

**IMPORTANT** - Dispose of all packaging correctly and responsibly and in accordance with all local laws and regulations. Never leave packaging components within reach of children as they can be a source of danger.

**IMPORTANT** - For your safety, this product must be installed in accordance with wiring regulations from the Institute of Engineering and Technology (IET) and current local Building Regulations.

**IMPORTANT** - If in any doubt, or where required by the law, consult a competent person who is registered with an electrical self-certification scheme. Further information is available online or from your Local Authority.

**IMPORTANT** - To prevent electrocution, switch off at the mains supply before installing or maintaining this fitting. Ensure other persons cannot restore the electricity supply without your knowledge.

**IMPORTANT** - To avoid damage to concealed wiring during installation, establish the direction of the supply cable before drilling fixing holes.

**IMPORTANT** - Always be sure to use the correct type and wattage of bulbs as indicated on the fitting. Never exceed the wattage stated.

**IMPORTANT** - When changing the bulb, always switch off at the mains and allow the old bulb to cool down before handling. Dispose of used bulbs carefully.

**IMPORTANT** - The luminaire is designed for indoor use only.

**IMPORTANT** - This fitting is Class II appliance. The input supply cord must be double-insulated.

**IMPORTANT** - If the external flexible cable or cord of this luminaire is damaged, it shall be exclusively replaced by the manufacturer or his service agent or a similar qualified person in order to avoid a hazard.

**WARNING** - Do not mount this fitting in a damp atmosphere.

THIS PRODUCT CAN GET EXTREMELY HOT DURING USE. CAUTION MUST BE TAKEN WHEN MAINTAINING, ADJUSTING OR CLEANING THE LUMINAIRE.

## BULB REPLACEMENT

1. Switch off the mains power supply.
2. Before replacing the bulb, allow it to cool down for at least 10 minutes.
3. Never touch the bulb with your fingers directly, cover it with a cloth.
4. Loosen the bulb and remove it from the lamp.
5. Replace a new bulb with same voltage and wattage



Disposal of Waste Equipment by Users in the European Union.

This symbol on the product indicates that this product must not be disposed of with your other household waste. Instead, it is your responsibility to dispose of your waste equipment by handing it over to a designated collection point for the recycling of waste electrical and electronic equipment. The separate collection and recycling of your waste equipment at the time of disposal will help to conserve natural resource that it is recycled in a manner that protects human health and the environment. For more information about where you can drop off your waste equipment for recycling, please contact your local city office, your households waste disposal service or the shop where you purchased the product.



