

ALBA

Personal CD player Instruction manual

CCD431



IMPORTANT SAFETY INFORMATION

CAUTION: DO NOT REMOVE COVER (OR BACK)



This symbol indicates that there are important operating and maintenance instructions in the literature accompanying this unit.



CAUTION CLASS 1 LASER PRODUCT

Use of contents or adjustments of performance of procedures other than those specified Herein may result in hazardous radiation exposure.

LASER SAFETY

This unit employs a laser, only qualified service personnel should attempt repair.

DANGER: Invisible laser radiation when open and interlock failed or defeated avoid direct exposure to beam.

CAUTION: hazardous laser radiation when open and interlock defeated.

Read these instructions.
Keep these instructions.
Heed all warnings
Follow all instructions.

Do not use this apparatus near water.
Clean only with a slightly damp cloth.
Do not block and ventilation openings.

Install in accordance with the manufacturer's instructions.

Do not install or operate near any heat sources such as radiators, stoves or other apparatus that produce heat.

Unplug this apparatus during lightning storms or when unused for long periods of time.

Refer all servicing to qualified service personnel. Servicing is required when the apparatus has been damaged in any way, such as the power supply cord or plug is damaged, liquid has been spilled or objects have fallen into the apparatus, the apparatus has been exposed to rain or moisture, does not operate normally or has been dropped.

WARNING: To reduce the risk of fire or electric shock, do not expose this product to rain or moisture. The product must not be exposed to dripping and splashing and no object filled with liquids such as a vase of flowers should be placed on the product.

No naked flame sources such as candles should be placed on the product.

CAUTION: Changes or modifications not expressly approved by the manufacturers could void the user's authority to operate this device.

CAUTION: Usage of controls or adjustments or performance of procedures other than those specified herein may result in hazardous exposure.

SAFETY INFORMATION CONTINUED

IMPORTANT: This equipment generates, uses and can radiate radio frequency energy and, if not installed and used in accordance with the instructions, may cause harmful interference to radio communication. However, this is no guarantee that interference will not occur in a particular installation. If this equipment does cause harmful interference to radio or television reception, which can be determined by turning the equipment off and on, the user is encouraged to try to correct the interference by one of the following measures:

- Reorient or relocate the receiving antenna
- Increase the separation between the equipment and receiver
- Consult the dealer or an experienced radio/TV technician for help.

CONTENTS

The carton should contain:

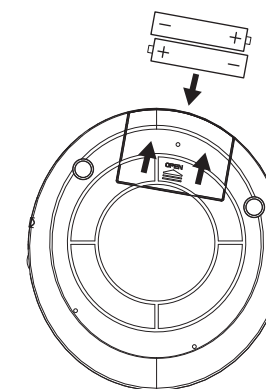
- 1 x Personal CD player
- 1 x Headphones
- 1 x Operating manual



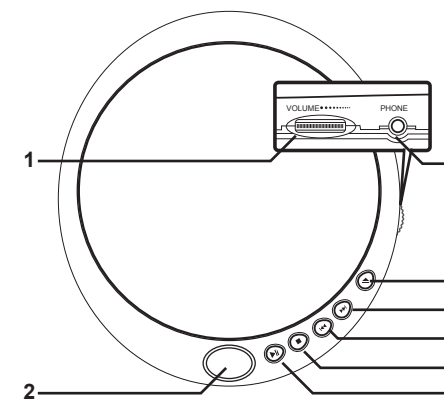
If any items are missing or damaged, contact your nearest Argos store for a replacement. Have your receipt ready when you call. Retain the packaging. If you dispose of it, do so having regards to any recycling regulations in your area.

BATTERY INSTALLATION

1. Slide off the battery cover as shown by the 2 arrows in the diagram (it is hinged so it will not remove completely).
2. Insert 2 x AA batteries as shown. Take care to match the + & - polarity markings.
3. Replace the battery cover.



DISPLAY & CONTROLS



1. Volume control
2. LCD display
3. Headphone socket
4. Open door lock
5. FF ►► button
6. REW ◀◀ button
7. STOP button
8. PLAY/PAUSE ►|| button

CD OPERATION

Getting Started

1. Press the **Open Door Lock** (4) to open the lid.
2. Insert a CD, ensure the label is facing upwards. Close the lid.
3. Press the **PLAY/PAUSE** button to power up the unit.
4. The display will show " " briefly while the unit reads the disc.
5. If a disc is not detected the display will show "dISC".
NOTE: If a disc is not readable then "Er" will be shown instead.
6. After a short period the display will show the last track number and the total play time length of the entire CD.
7. The unit will then proceed to play the CD, starting from track 01.

CD OPERATION

Stopping Playback

1. Press the **STOP** button once to stop playback.


Pausing Playback

1. To pause playback, press the **PLAY/PAUSE** button during playback.
2. To resume playback press the **PLAY/PAUSE** button once more.

Skipping Tracks

1. To skip to the next track, press the **▶▶** button once. To skip further tracks, press the button repeatedly until you reach the desired track.
2. To skip to the beginning of the current track press the **◀◀** button once.
3. To skip to the previous track press the **◀◀** button twice. repeat to skip multiple tracks.
4. To fast forward or rewind a track (during playback only), press and hold either **▶▶** or **◀◀** buttons, release when you reach the desired time to proceed playback.

Low Battery indicator

1. When the installed batteries reach a level where the voltage is becoming too low the low battery warning icon  will appear on the display.
2. When the batteries become too low for operation, the unit will shut down. And the batteries will need replacing.

MAINTENANCE AND CARE

To clean the CCD431 Personal CD player

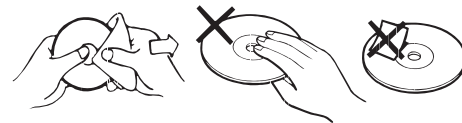
- Ensure the unit is in standby.
- Wipe the case with a slightly moist, lint-free cloth.

MAINTENANCE AND CARE

- Do not use any cleaning fluids containing alcohol, ammonia or abrasives.
- Do not spray an aerosol at or near the unit.
- Do not allow liquids to spill or objects to drop into any openings.
- Always use original packaging if it is necessary to transport the unit at any time.
- If this unit is used in a dusty environment, it may be necessary to have the unit serviced at your local dealer periodically.
- It is not advisable to allow large deposits of dust to accumulate within the unit as it may prevent adequate cooling. Similarly dust deposits which become damp can sometimes lead to electrical problems which may cause severe damage to the delicate electronics within this unit.

Handling Discs

To remove the disc from its storage case, press down on the centre of the case and lift the disc out. Hold it carefully by the edges as shown below



Insert the disc into the unit with the label of the disc facing UP. Gently wipe the disc using a soft cloth from the centre to the outer direction to remove dust, fingerprints or any other particles on the disc surface. Never use chemicals, such as record sprays, anti-static sprays, benzene or thinners to clean the CD. These chemicals can damage the disc surface permanently.

To avoid serious scratches on CD, keep them in the cases after each use. Scratches can cause the laser pick-up skip in the future play. Do not place stickers or write anything on the disc.

SPECIFICATIONS

CD PLAYER

Frequency Response.....20 ~20,000Hz

Sampling Rate.....8 times over sampling

D/A Converter.....1-Bit

GENERAL

Maximum Output(Stereo Headphone.....15mW+15mW(32ohm))

POWER SUPPLY

DC.....3V with 2 size "AA" Batteries

Dimension.....5.1"x1.1"x5.9"(WHD)

TROUBLESHOOTING

PROBLEM	CAUSE	SOLUTIONS
CD player does not work	Batteries are dead or low	Replace batteries
CD does not play	CD wrongly inserted	Re-insert CD label side up
	Defective CD	Try another CD
	CD compartment not closed	Close CD compartment cover properly
	Condensation in CD compartment	Remove CD and leave cover open for about one hour to dry
No sound in the earphones	Earphone jack not inserted properly	Re-insert earphone jack in socket
	Volume control is at minimum	Increase volume
	Batteries low	Replace batteries or use mains lead
	Defective CD	Try another CD
Skips during play	Dirty CD or lens	Clean or replace CD, or clean lens
	Strong vibrations	Place CD player on a flat & stable surface (no vibration)

GUARANTEE

ALBA

Through the process of continuous improvement, Argos Limited reserves the right to change or alter specifications without prior notice. E&OE

Product Guarantee This product is guaranteed against manufacturing defects for a period of

1 Year

This does not cover the product where the fault is due to misuse, abuse, use in contravention of the instructions, or where the product has been the subject of unauthorised modifications or alterations, or has been the subject of commercial use.

In the event of a problem with the product within the guarantee period please return it to your nearest Argos store.

If the item is shown to have had an inherent defect present at the time of sale, the store will provide you with a replacement.

Your statutory rights remain unaffected.

Guarantor; Argos Ltd
489 – 499 Avebury Boulevard
Central Milton Keynes MK9 2NW