

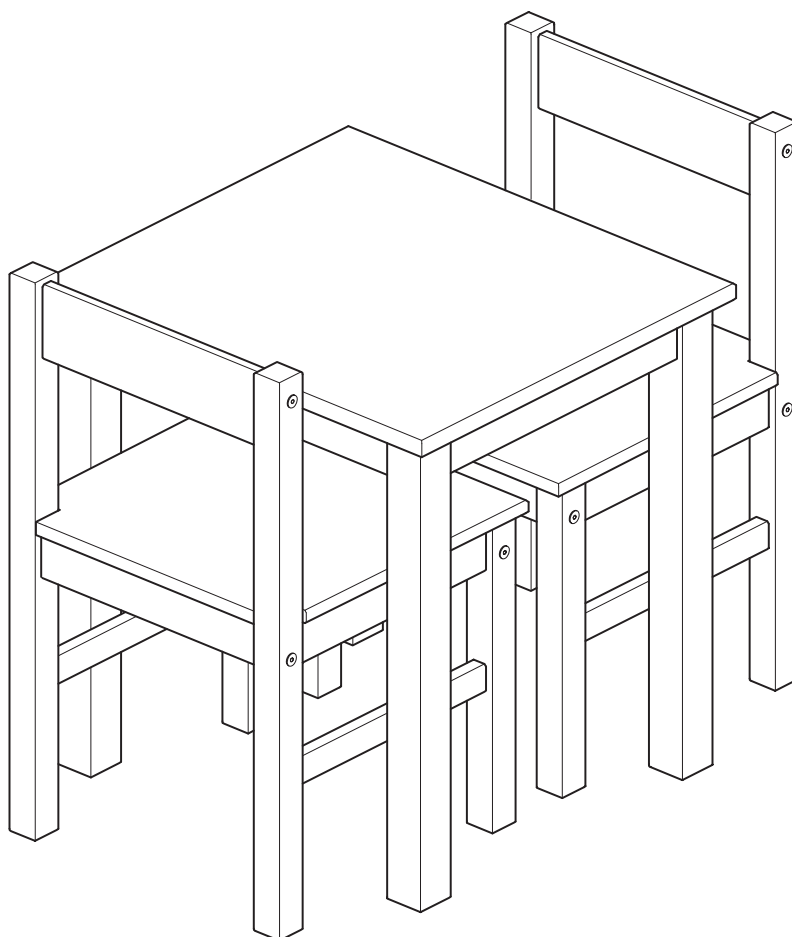
# Kids Scandinavia - Table And 2 Chairs

Assembly Instructions

498/1699

Retain these instructions for future reference

503/4459



## Dimensions

### Table

Width - 50cm

Depth - 45cm

Height - 52cm

### Chair

Width - 36cm

Depth - 35cm

Height - 60cm

**Important – Please read these instructions fully before starting assembly**

If you need help or have damaged or missing parts, call the **Customer Helpline: 03456 400 800**



# Safety and Care Advice

## Important – Please read these instructions fully before starting assembly

- Check you have all the components and tools listed on pages 2 and 3.
- Do not use this item if any components are missing or damaged.
- Remove all fittings from the plastic bags and separate them into their groups.
- Keep children and animals away from the work area, small parts could choke if swallowed.
- Make sure you have enough space to layout the parts before starting.

- Do not stand or put weight on the product, this could cause damage.
- Assemble the item as close to its final position (in the same room) as possible.
- Assemble on a soft level surface to avoid damaging the unit or your floor.
- Parts of the assembly will be easier with 2 people.



- We do not recommend the use of power drill/drivers **for inserting screws**, as this could damage the unit. Only use hand screwdrivers.

- Dispose of all packaging carefully and responsibly.
- This product is suitable for children in the age range which the product is designed, 3-6 years.
- The maximum child weight or load for the product is 30 kilograms.
- Assembly to be carried out by a competent adult only
- During assembly children should be kept away from the product due to possible risk of injury.

## Care and maintenance

- Only clean using a damp cloth and mild detergent, do not use bleach or abrasive cleaners.
- From time to time check that there are no loose screws on this unit.
- This product should not be discarded with household waste. Take to your local authority waste disposal centre.

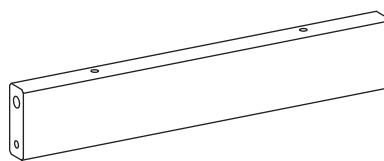
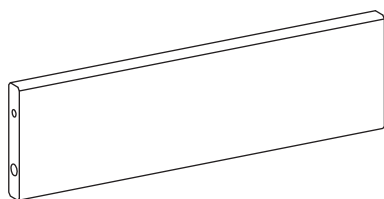
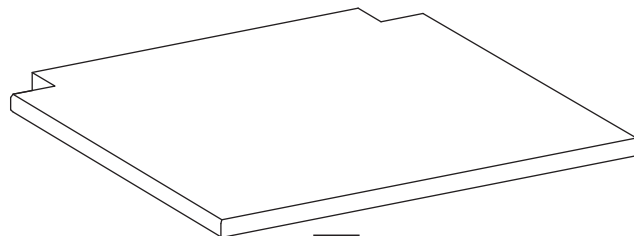
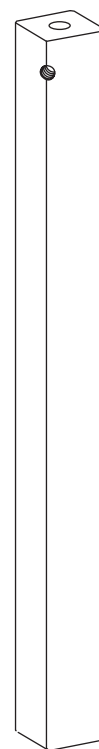
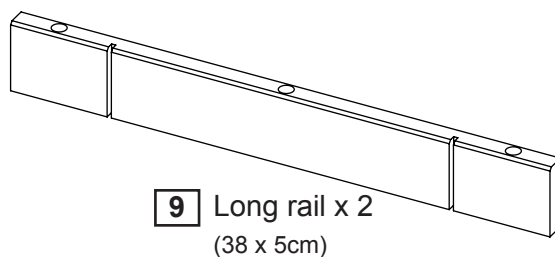
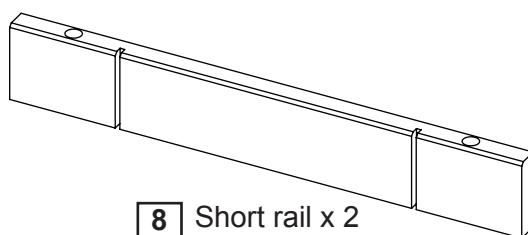
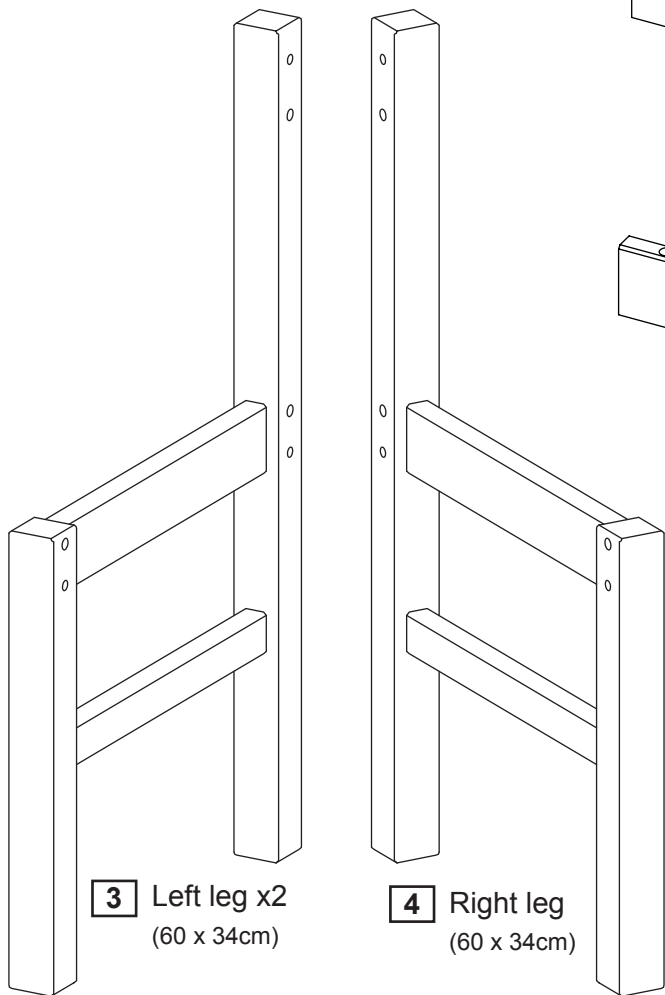
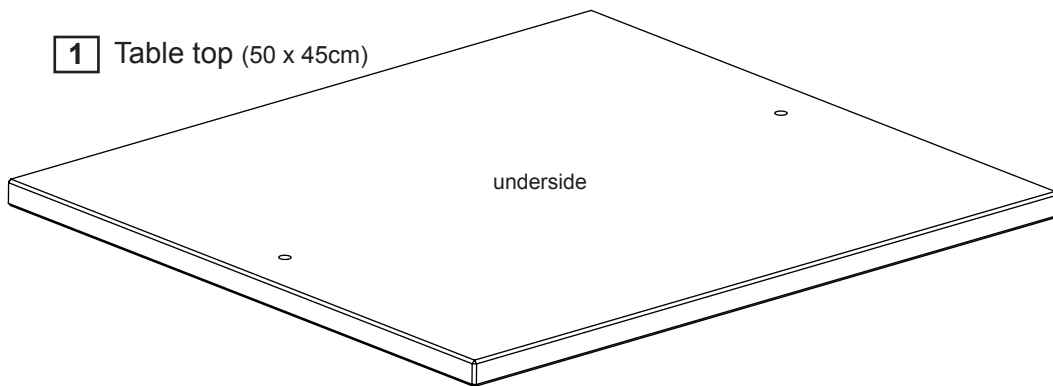
**Note:** if required the next page can be cut out and used as reference throughout the assembly. Keep this page with these instructions for future reference.

# Components - Panels

If you have damaged or missing components, call the **Customer Helpline: 03456 400 800**

Please check you have all the panels listed below

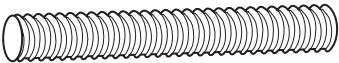
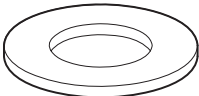
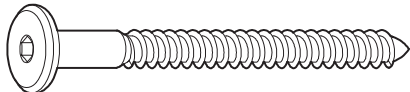

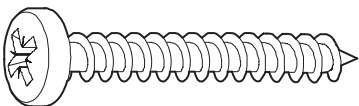
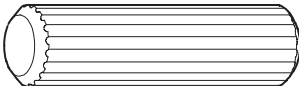

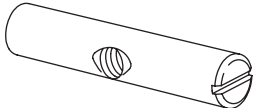
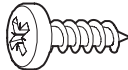
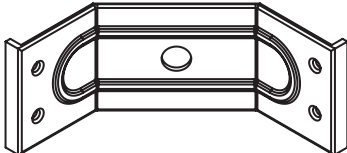
**1** Table top (50 x 45cm)



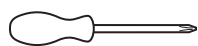
# Components - Fittings

Please check you have all the fittings listed below

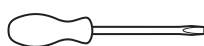
**Note:** The quantities below are the correct amount to complete the assembly. In some cases more fittings may be supplied than are required.

<p><b>A</b></p>  <p>80mm Screw x 4</p>	<p><b>B</b></p>  <p>Washer x 4</p>	<p><b>C</b></p>  <p>70mm Screw x 12</p>
<p><b>D</b></p>  <p>Allen key x 1</p>	<p><b>E</b></p>  <p>50mm Screw x 18</p>	<p><b>F</b></p>  <p>30mm Dowel x 14</p>
<p><b>G</b></p>  <p>Nut x 4</p>	<p><b>H</b></p>  <p>Nut x 4</p>	<p><b>I</b></p>  <p>15mm Screw x 16</p>
<p><b>J</b></p>  <p>Border fitt x 4</p>		

## Tools required



Phillips screwdriver  
(medium & large)

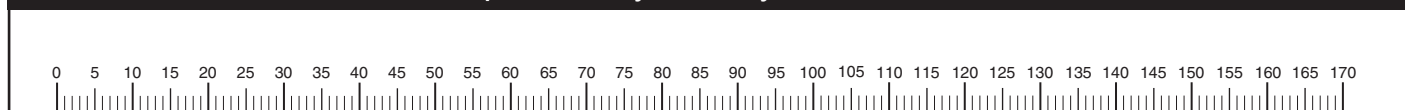


Flatblade screwdriver  
(medium)

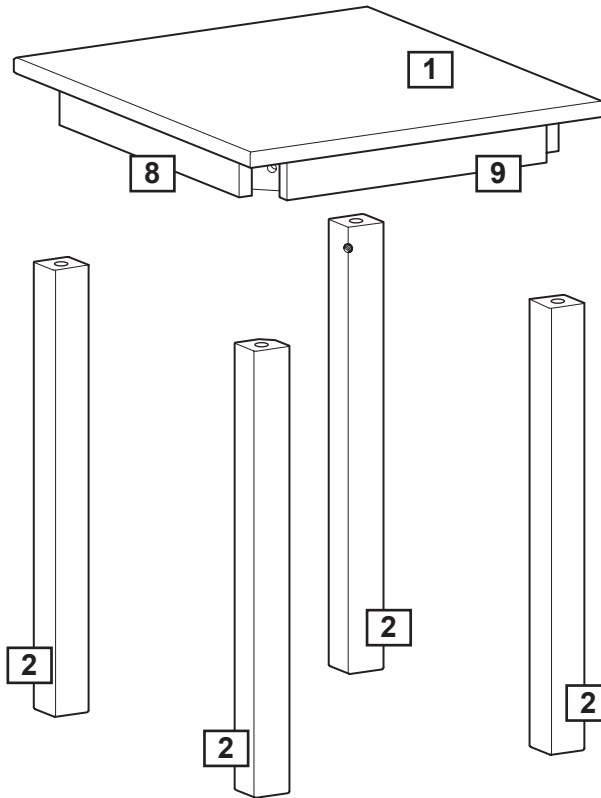


Spanner

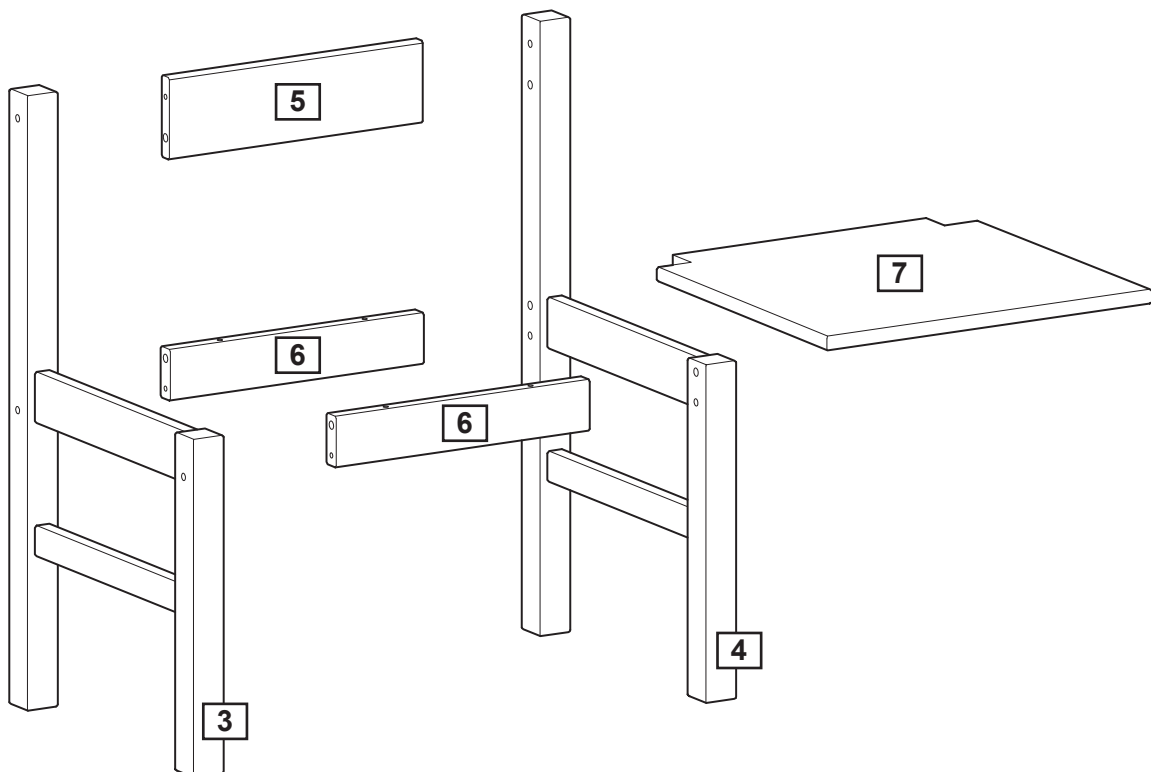
## Ruler - Use this ruler to help correctly identify the screws



# Components - Key Diagram Table



# Components - Key Diagram Chair



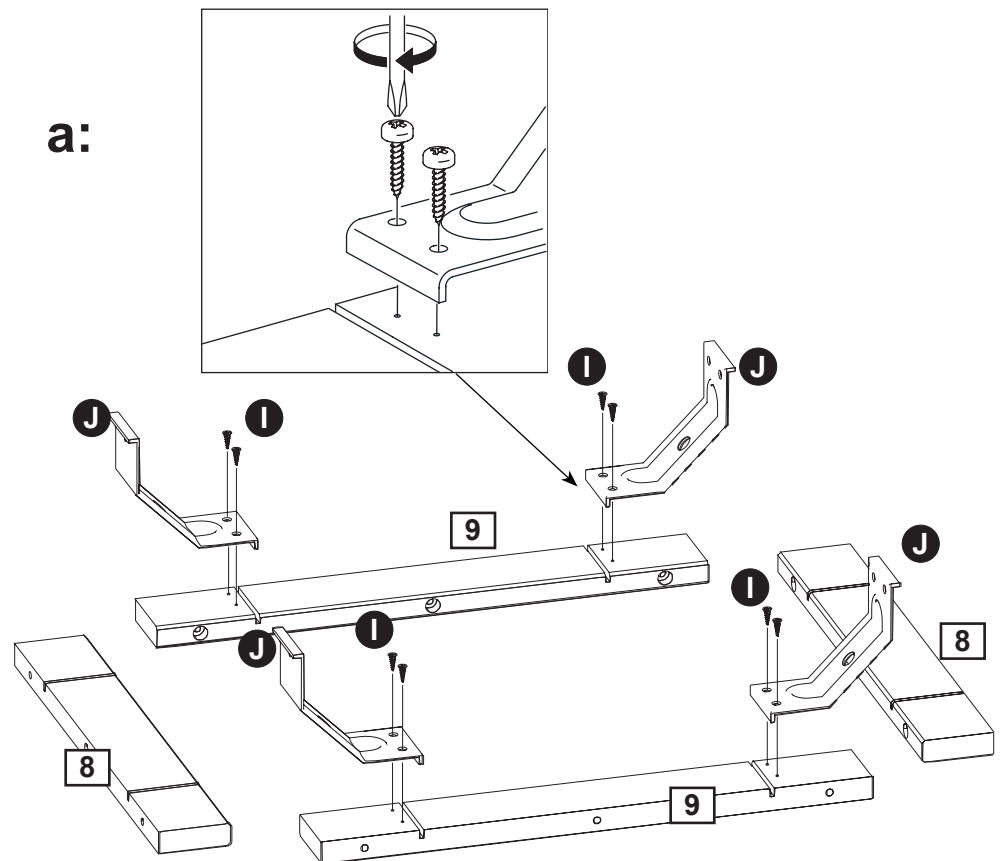
# Assembly Instructions

## Assembly of the table

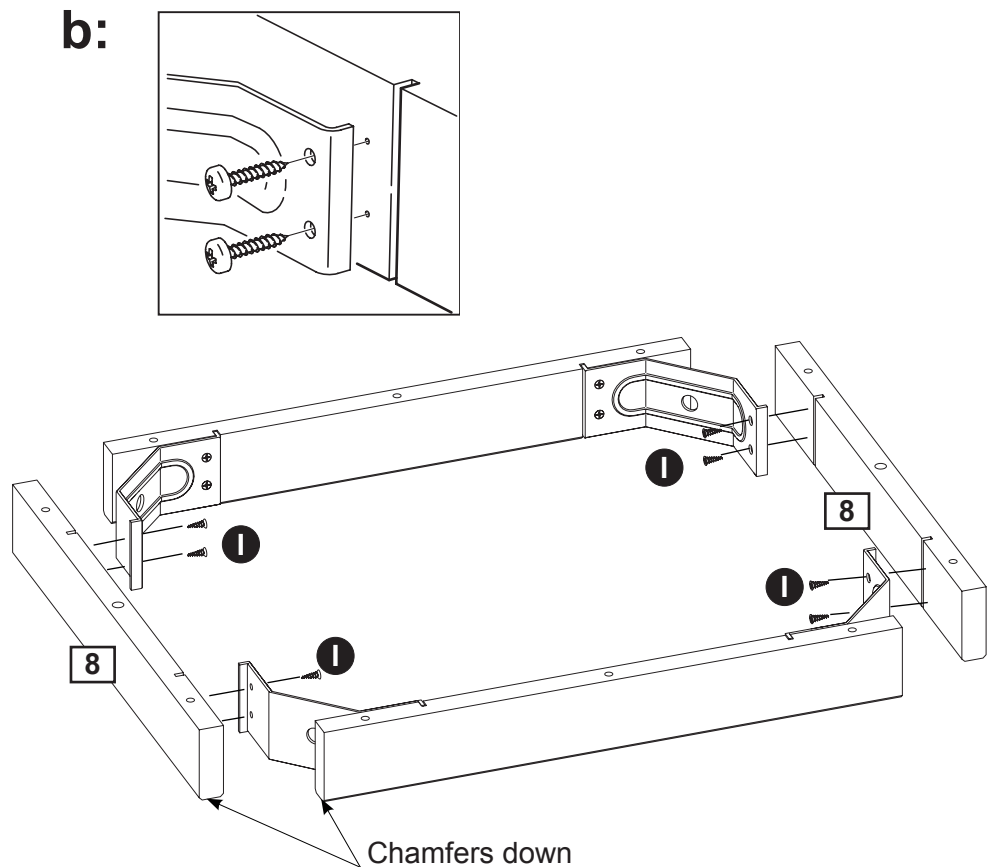
### Step 1

#### Assemble rails

**a:** Fix all border fits **J** to the long rails **9** with screws **I**.



**b:** Fix short rails **8** to pre assembled long rails with screws **I**.



# Assembly Instructions

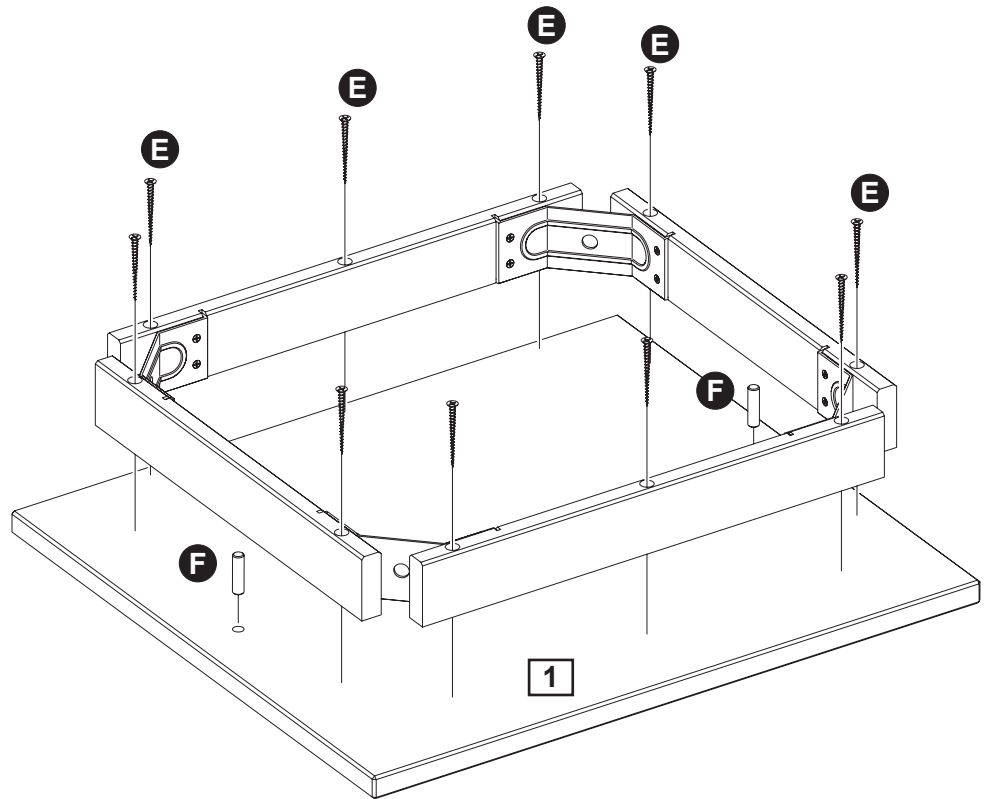
## Step 2

### Fix top to pre assembled rails

Put dowels **F** into table top **1**.

assemble pre assembled rails to the pre-inserted dowel **F** on top **1**.

Fix rails with screws **E**.

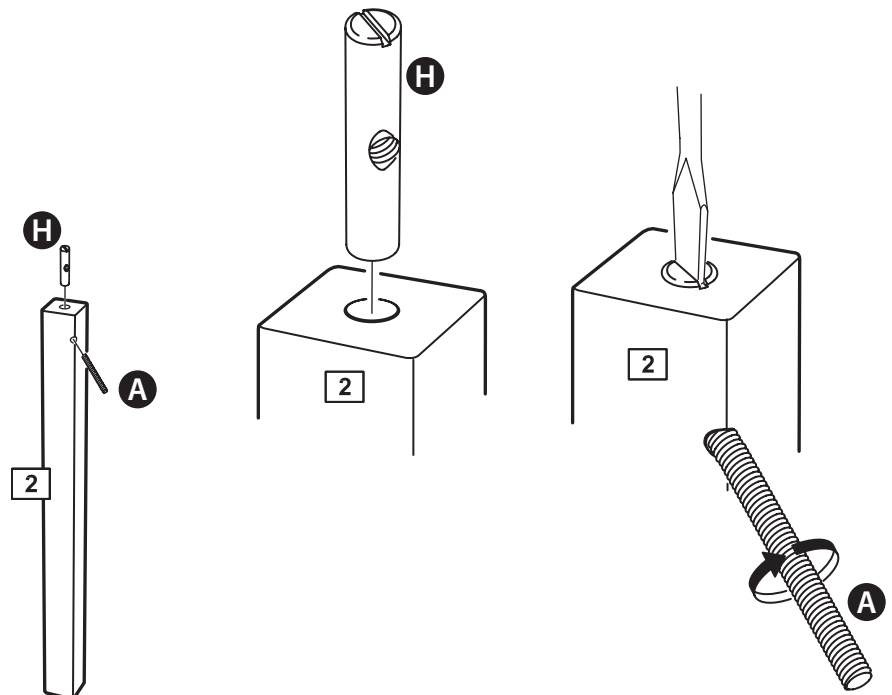


## Step 3

### Mounting the table legs onto the table top.

**a:** Put the nut **H** in leg **2** and fix with screw **A**.

**a:**



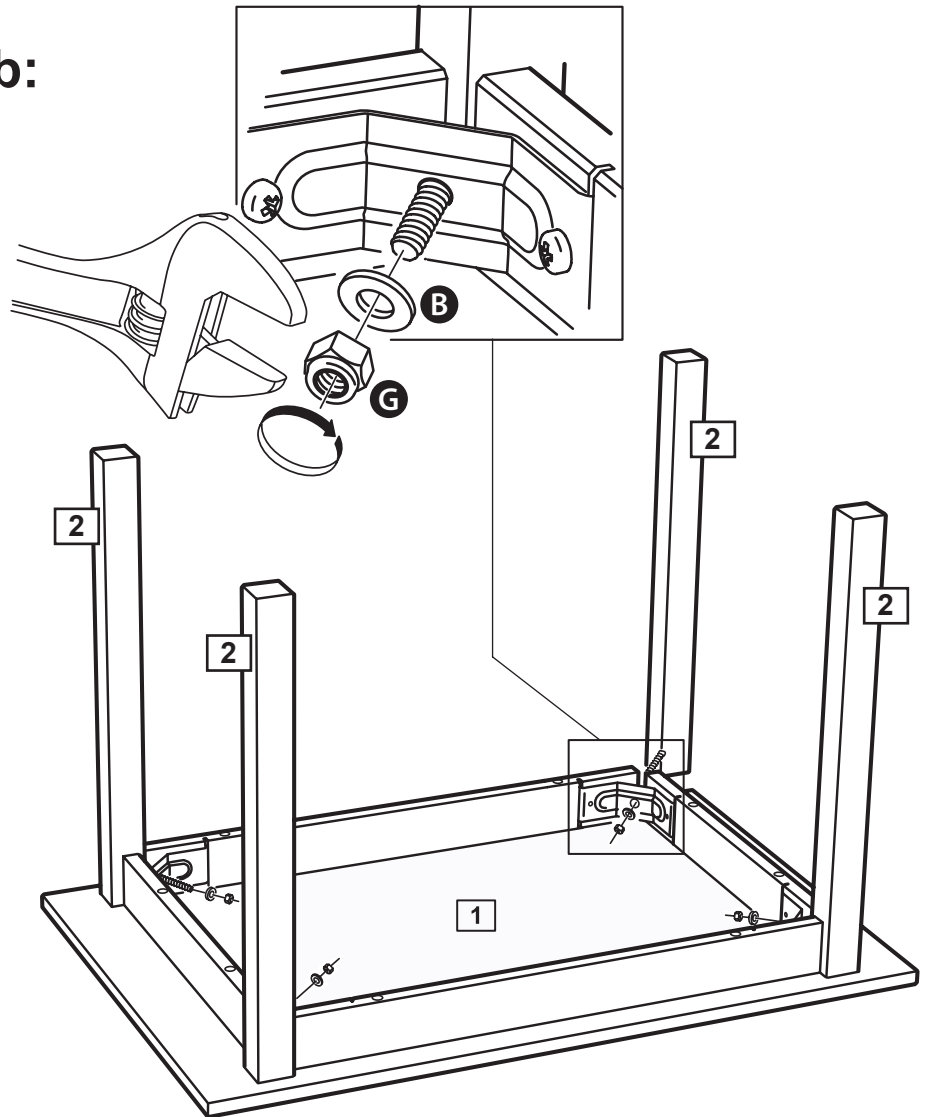
# Assembly Instructions

## Step 4

**b:** Press the table legs **2** onto the table top **1**.

Fix the table legs, using nut **G**, washers **B** and spanner through the holes indicated.

**b:**

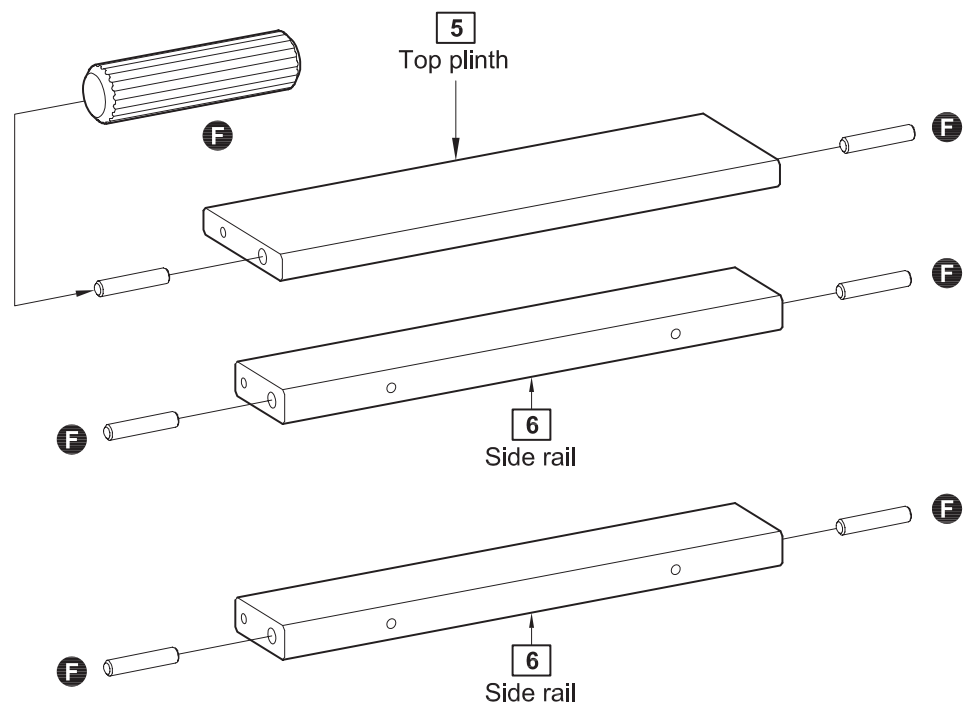


## Assembly of the chair

### Step 1

Inserting the dowels to the top plinth and side rails.

Insert the dowels **F** into the holes indicated on the top plinth **5** and the side rails **6**.





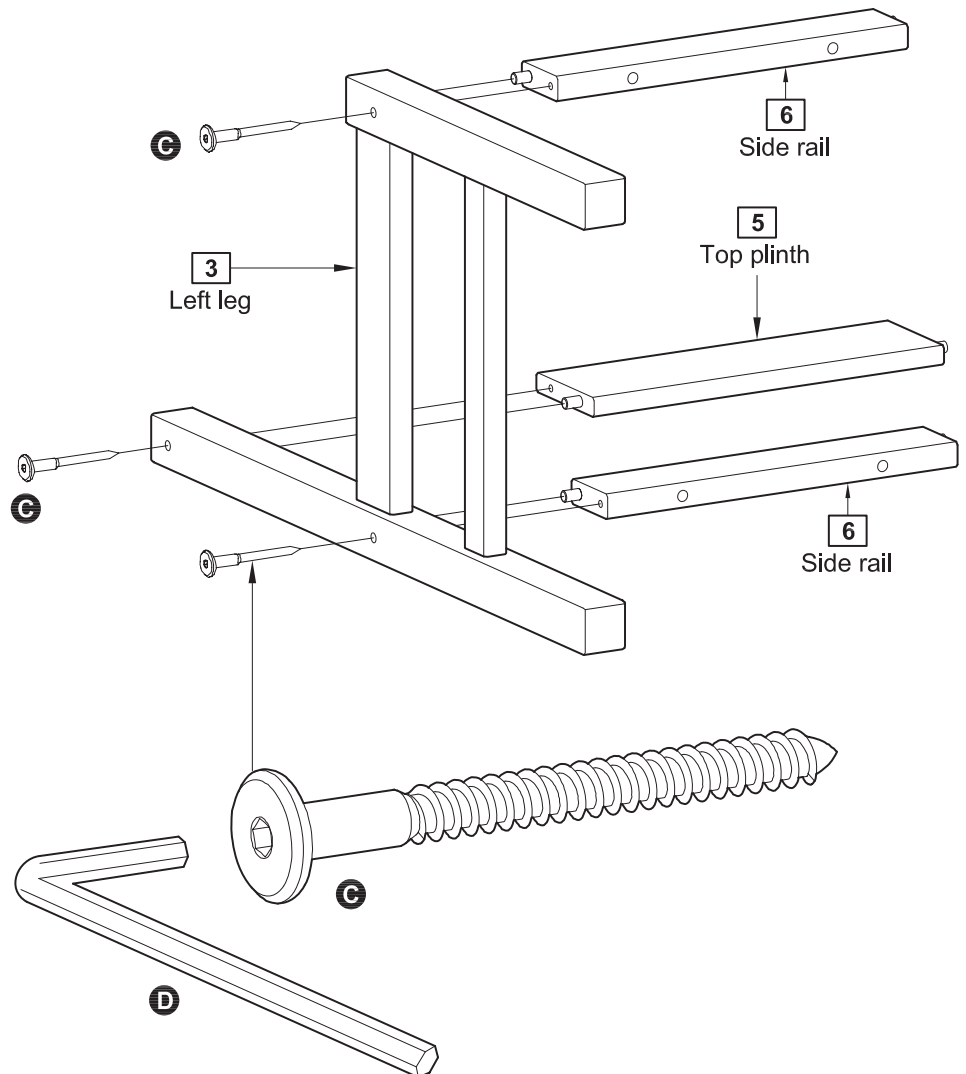
# Assembly Instructions

## Step 2

**Mounting the top plinth and the side rails onto the left leg.**

Press the top plinth **5** and the side rails **6** onto the left leg **3**.

Fix the top plinth and the side rails using screws **C** and allen key **D** through the holes indicated.

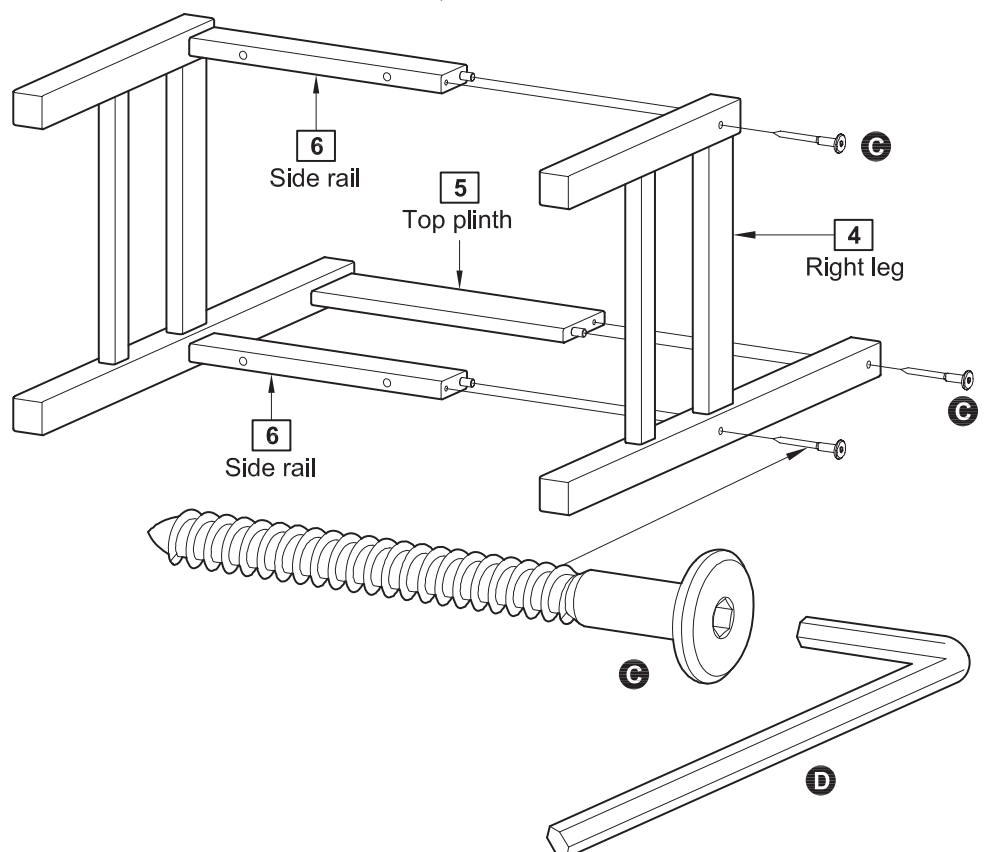


## Step 4

**Mounting the right leg onto the top plinth and the side rails.**

Press the right leg **4** onto the top plinth **5** and the side rails **6**.

Fix the right leg using screws **C** and allen key **D** through the holes indicated.



# Assembly Instructions

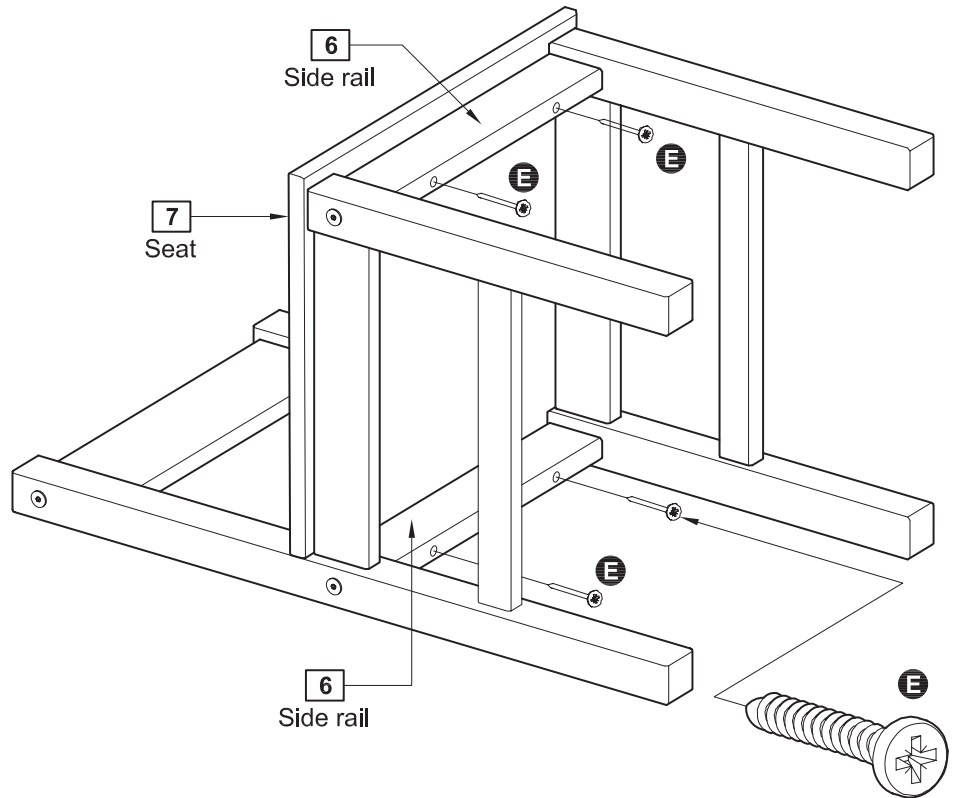
## Step 5

### Adding the seat to the chair.

Fix the side rails **6** onto the seat **7** using screws **E** through the holes indicated.

Repeat with remaining chair

Assembly is complete.



If you need help or have damaged or missing parts, call the **Customer Helpline: 03456 400 800**

# Dear Customer

**Please note that the product you have purchased is a natural living timber.**

**Just like nature itself, wood varies in shape and colour. Knots, vein patterns, resin pockets and colour differences contribute to giving the piece of furniture its beauty and form - a natural part of solid wood.**

**Although the tree has been cut down and dried, it is still alive and therefore will react to high and low temperatures, light, humidity, drought and time.**

**In cold and dry periods, the wood contracts which may lead to small cracks in the piece of furniture. The reverse happens in warm and humid periods where the wood expands and this may result in slight unevenness.**

**The colour of the wood also changes with time, particularly if the furniture is placed in a light place. This is a natural process and part of owning a piece of furniture made of solid wood.**

**Any flexing that has occurred during transport will re-correct itself once this product is correctly assembled.**

**Tighten all joints of the furniture after six months.**

**Please keep these instructions in a safe place for future use.**