



SPEED
CHAMPIONS

76920







LEGO® Builder



LEGO.com/sustainable-packaging

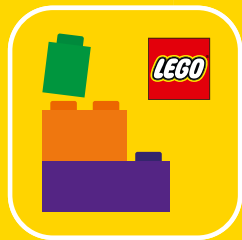


 ^{FR} **DONNEZ**
OU
RECYCLEZ

 OU  OU 

ASSOCIATION MAGASIN DÉCHÈTERIE

Adresses sur quefairedemesdechets.fr



Q LEGO® Builder

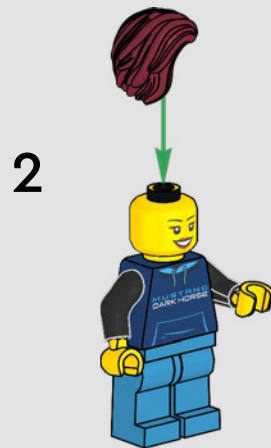
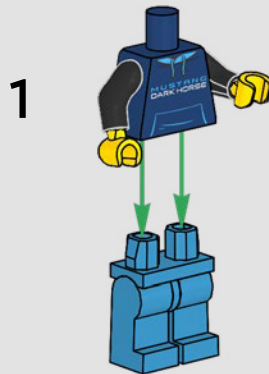
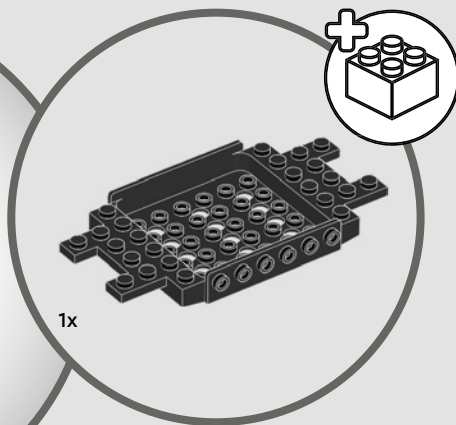
BUILDER

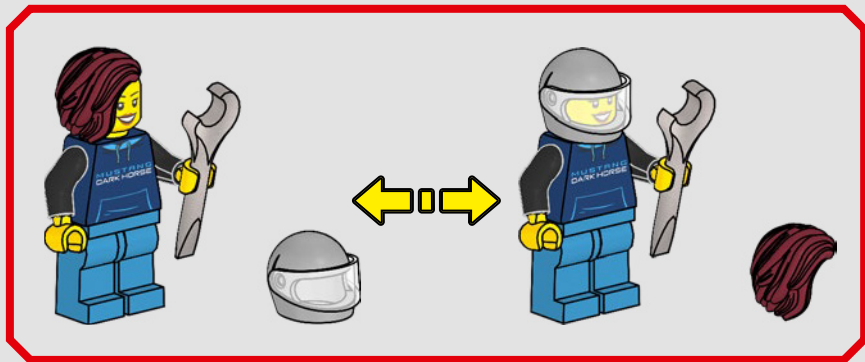


Apple and the Apple logo are trademarks of Apple Inc., registered in the U.S. and other countries and regions. App Store is a service mark of Apple Inc. Google Play and the Google Play logo are trademarks of Google LLC. Tencent and the Tencent logo are trademarks of Tencent Inc.

Q [LEGO.com/devicecheck](https://lego.com/devicecheck)

EN Ask parents' permission before going online | **DE** Eltern um Erlaubnis bitten, bevor du online gehst | **FR** Demande l'autorisation d'un parent avant d'aller en ligne | **IT** Chiedi il permesso ai tuoi genitori prima di andare online | **ES** Pídeles permiso a tus papás antes de conectarte a Internet | **PT** Pede autorização aos pais antes de acederes online | **ZH** 上网前应先征得父母的同意 | **PL** Poproś rodziców o zgodę, zanim wejdziesz do Internetu | **CS** Než půjdeš na internet, požádej rodiče o svolení | **SK** Skôr než pôjdeš na internet, vypýtaj si povolenie od rodičov | **HU** Kérj szülői engedélyt, mielőtt online csatlakoznál! | **RO** Cere permisiunea părinților înainte de a te conecta online | **BG** Поискайте разрешение от родител, преди да влезете онлайн | **LV** Pirms došanās tiešsaistē palūdz atļauju vecākiem | **ET** Enne Interneti kasutamist küsi vanematelt luba | **LT** Prieš prisijungdami prie interneto, atsiklauskite tėvų

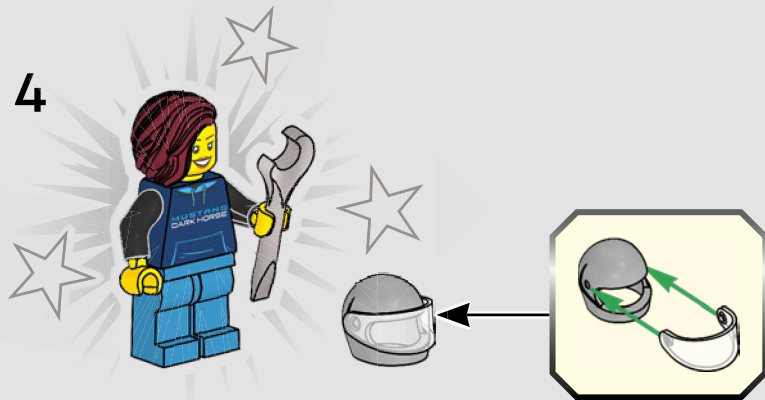


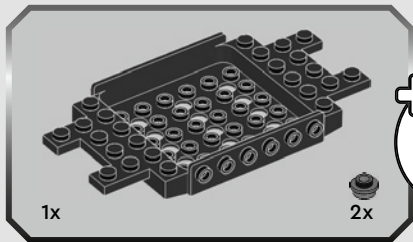


3

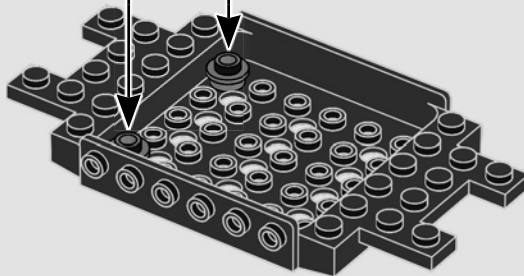
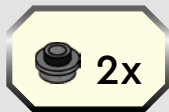


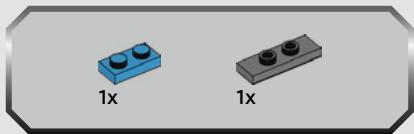
4



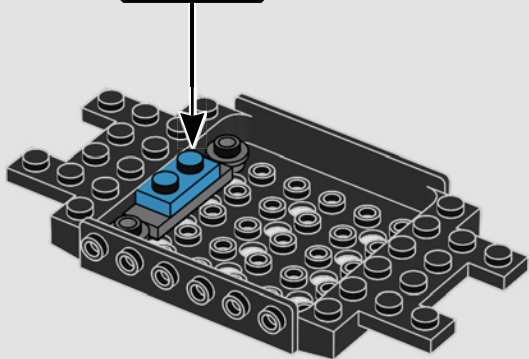
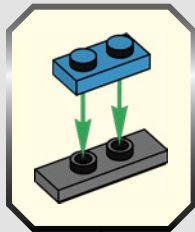


1

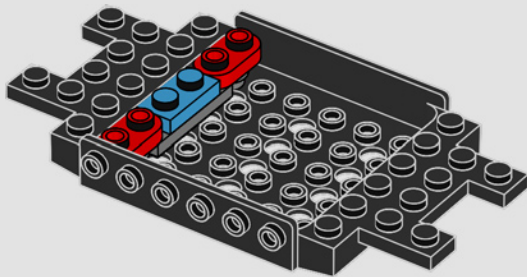


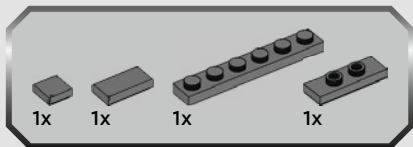


2

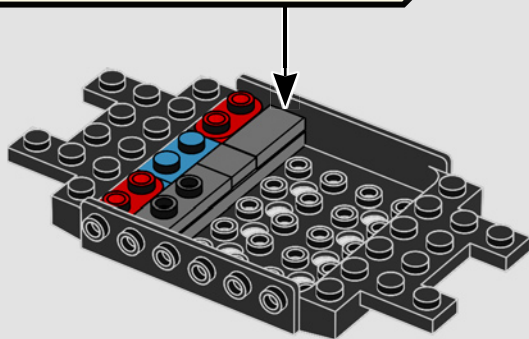
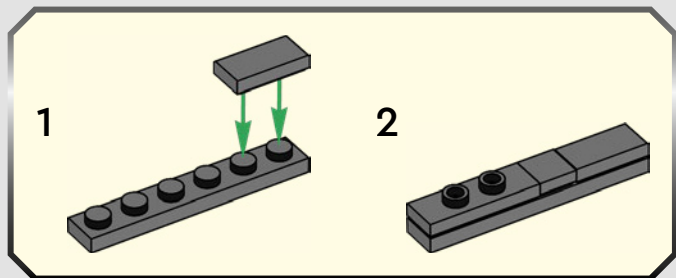


3



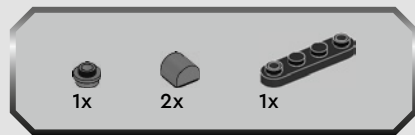
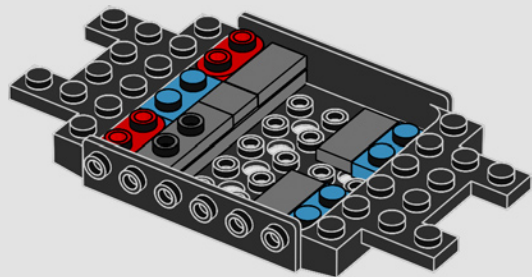


4

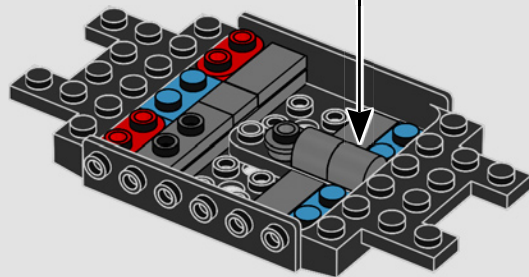
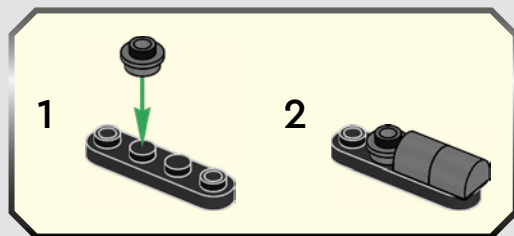


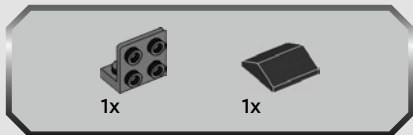


5

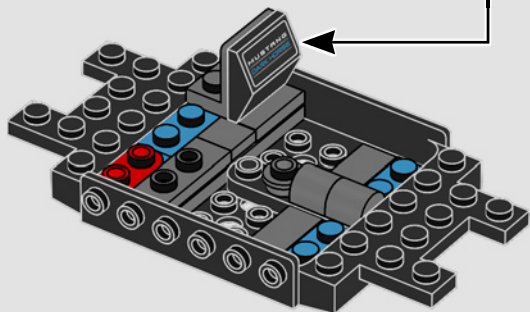
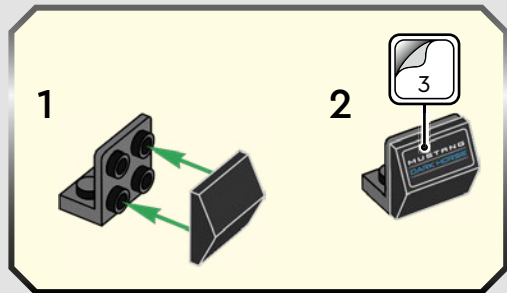


6

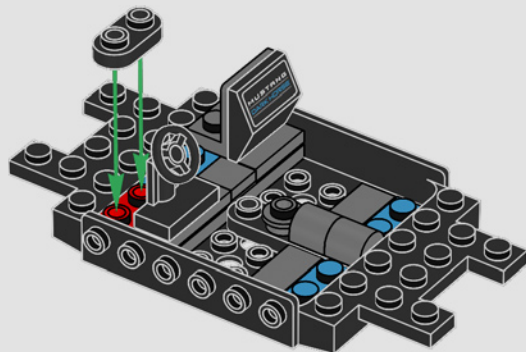




7

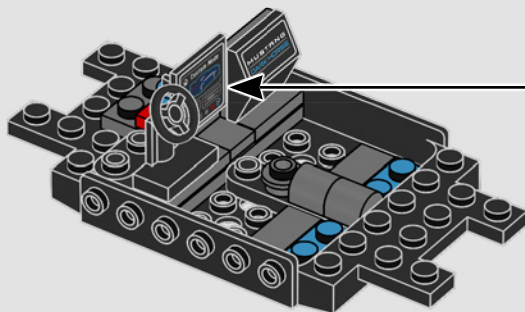
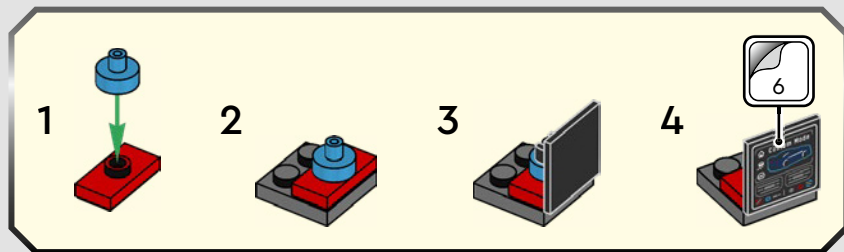


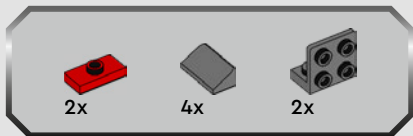
8



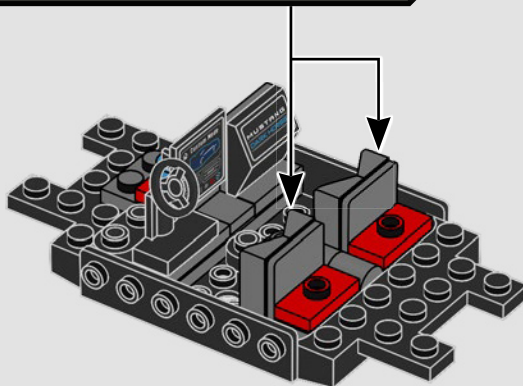
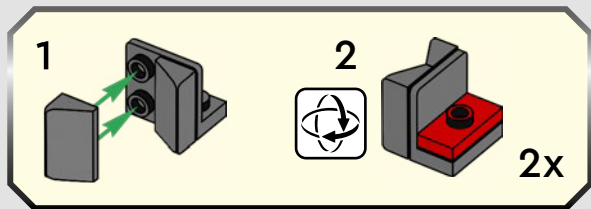


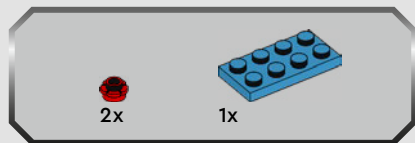
9



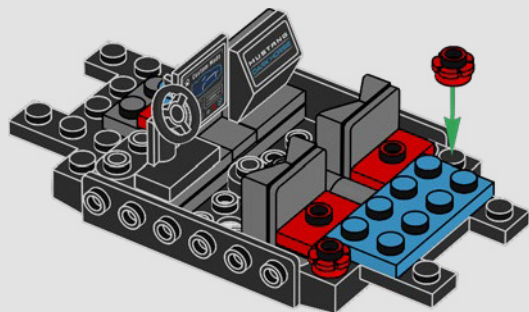


10

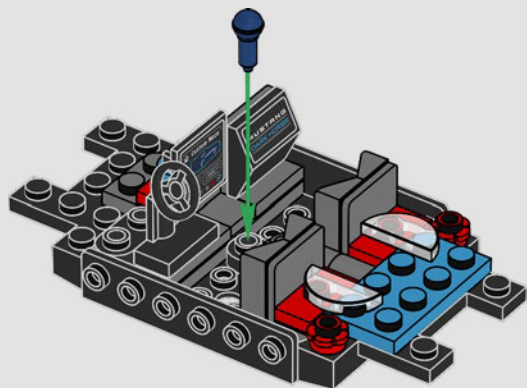


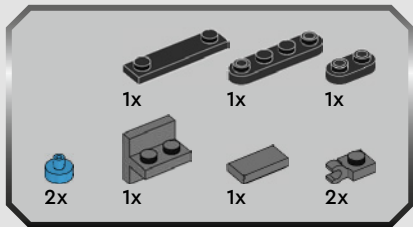


11

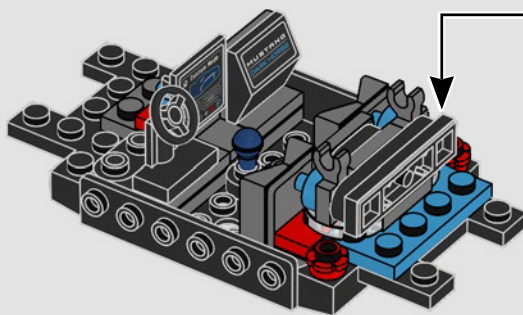
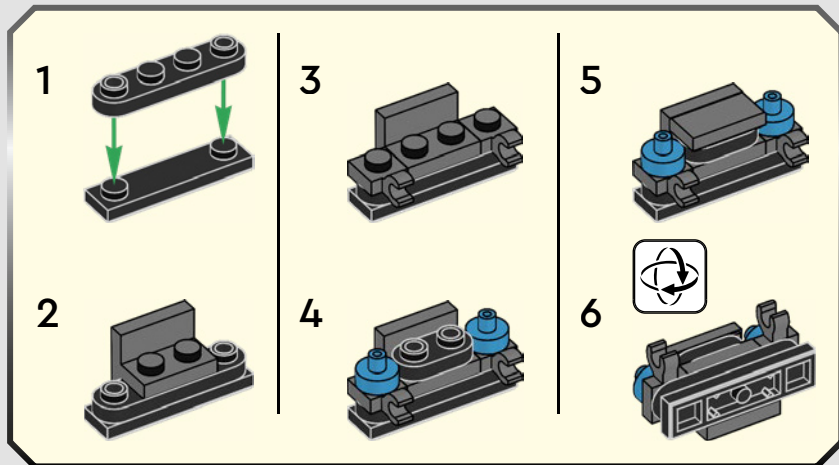


12



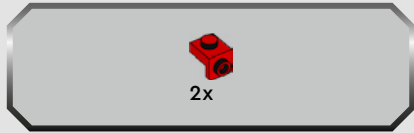
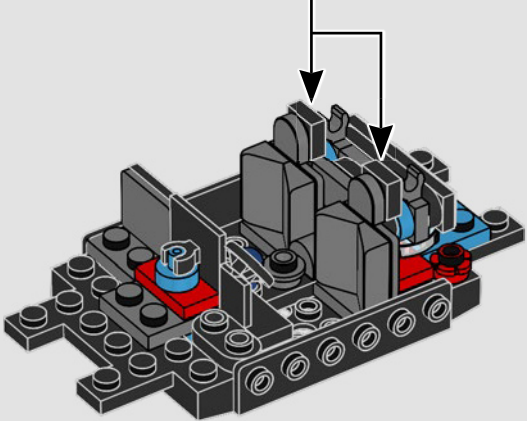
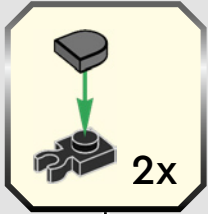


13

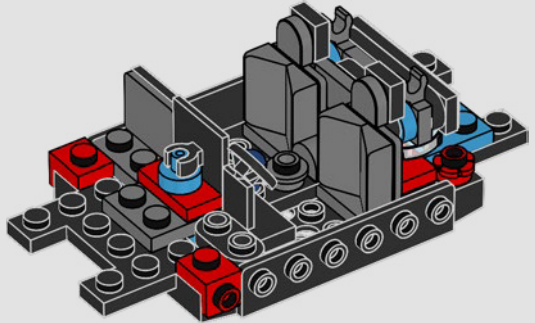




14

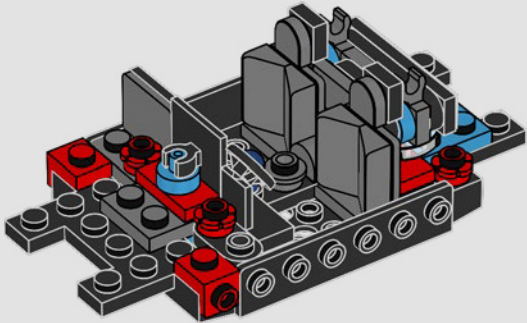


15

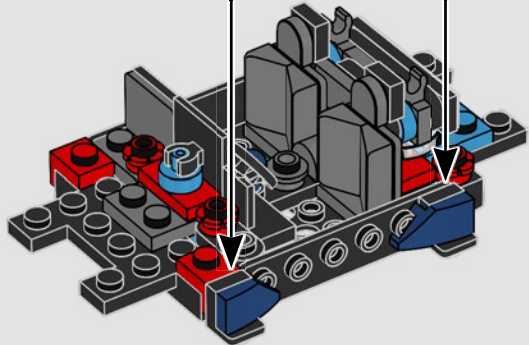
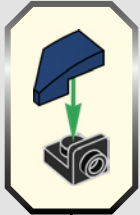
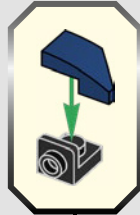


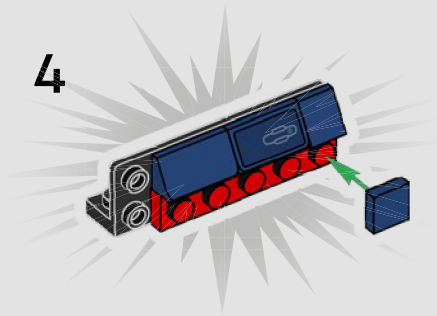
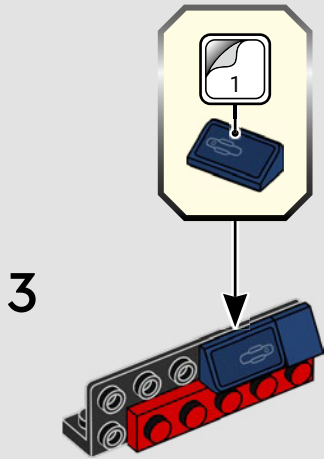


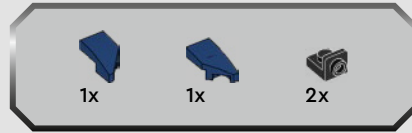
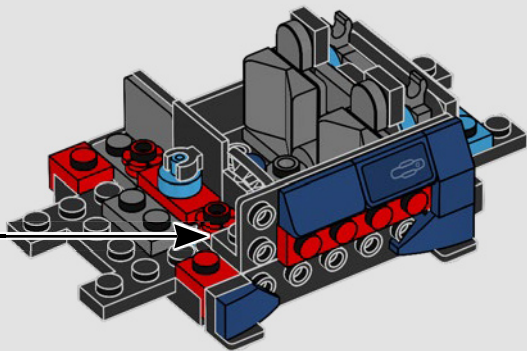
16



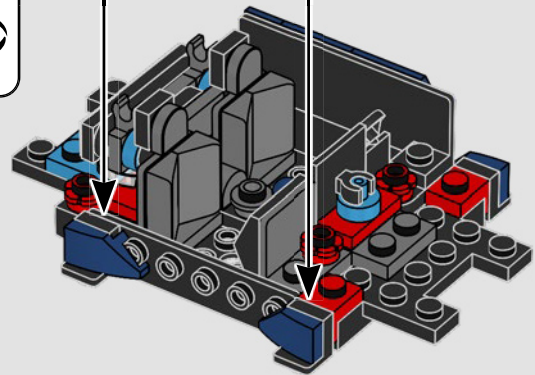
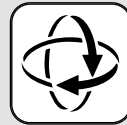
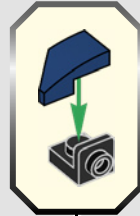
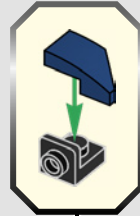
17

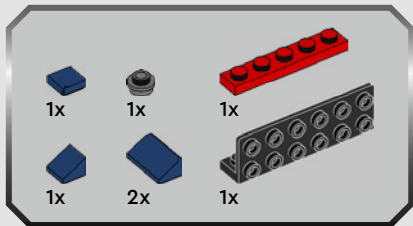






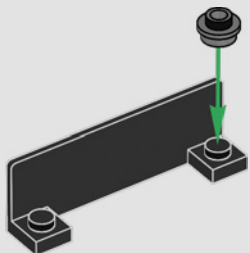
19



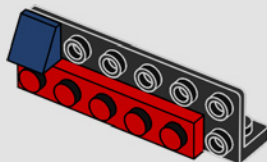


20

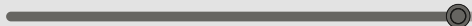
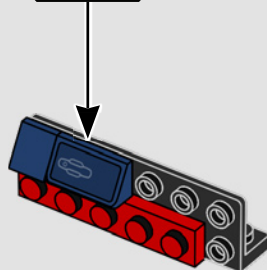
1



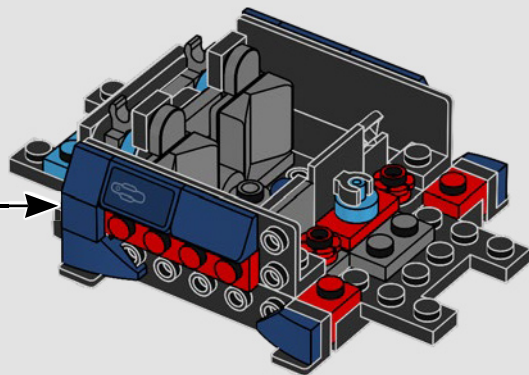
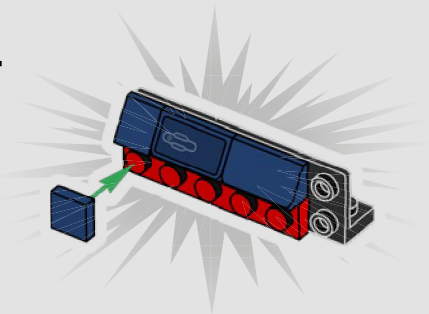
2



3



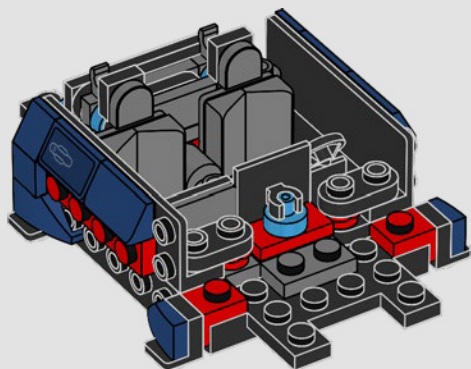
4





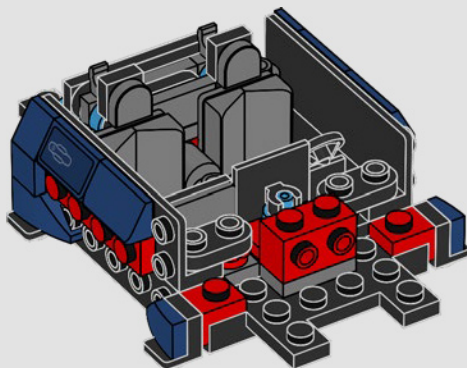
2x

21



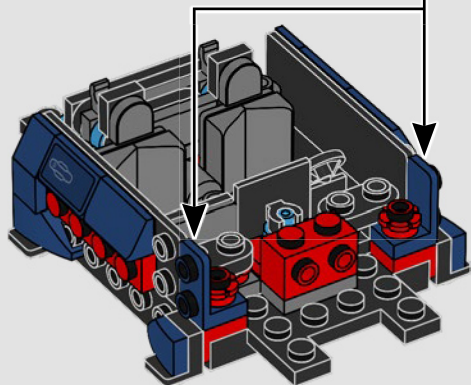
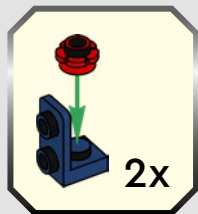
1x

22

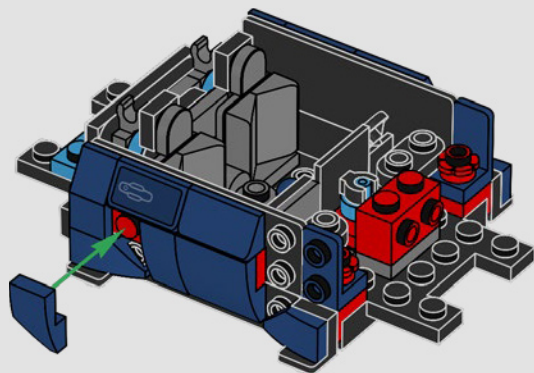


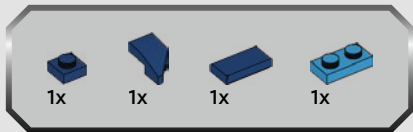


23

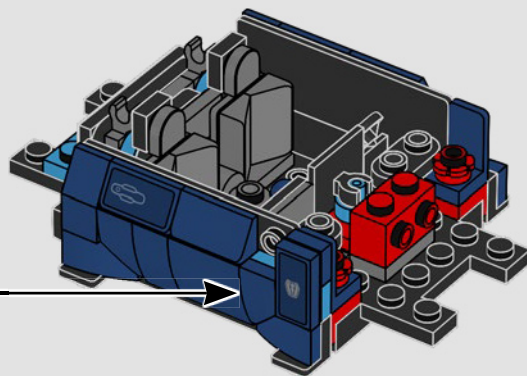
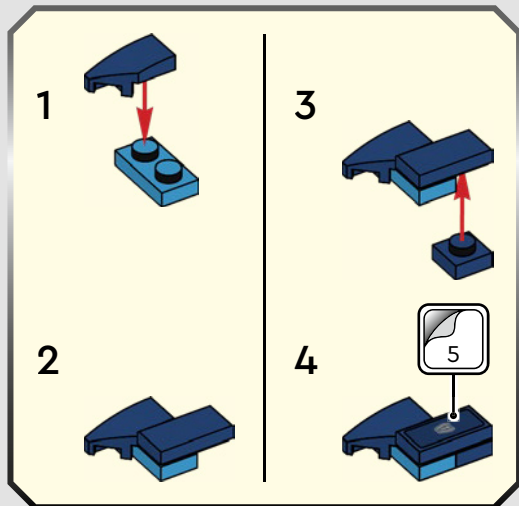


24



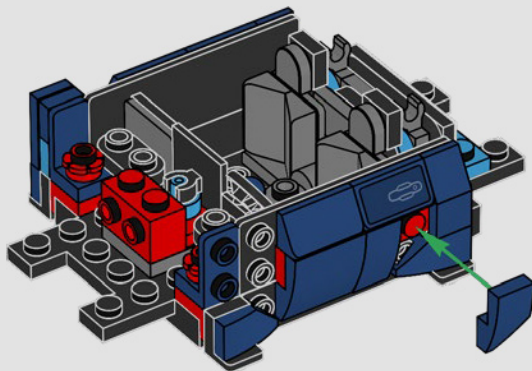


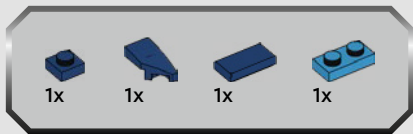
25



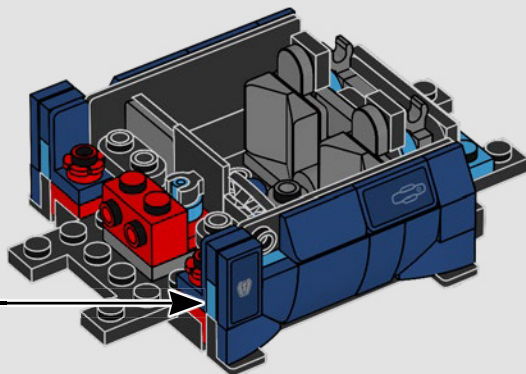
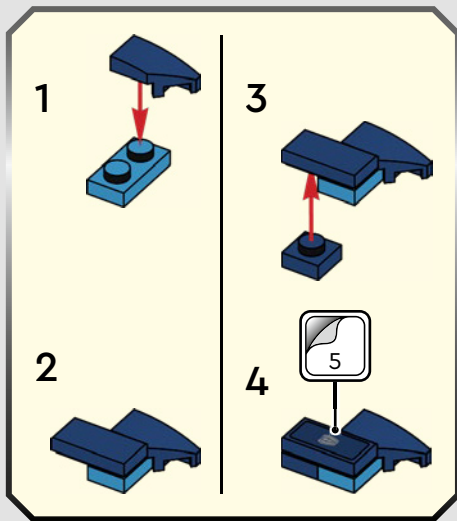


26

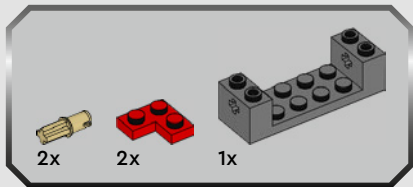




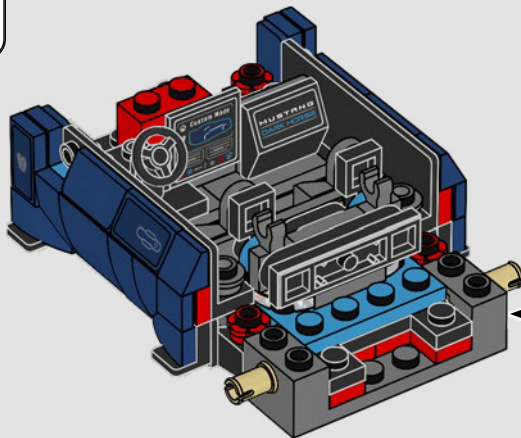
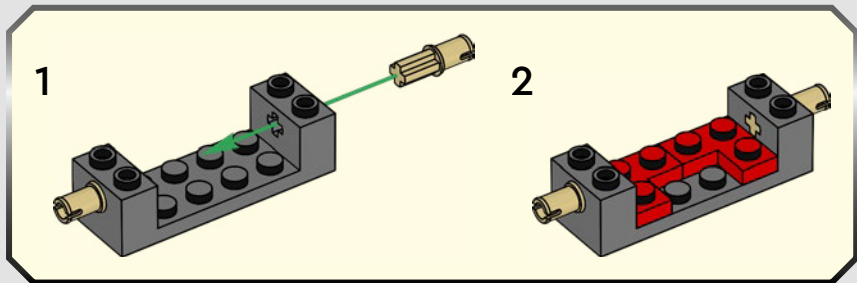
27

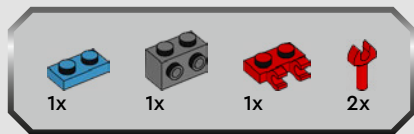




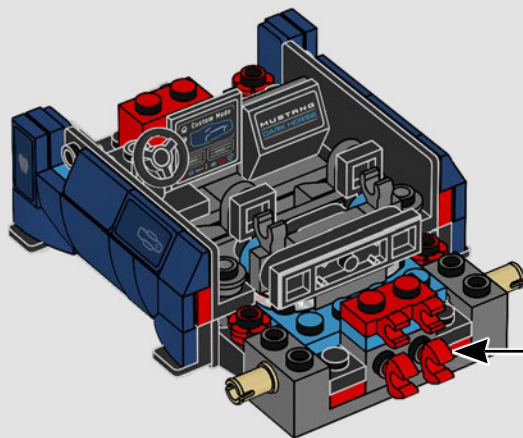
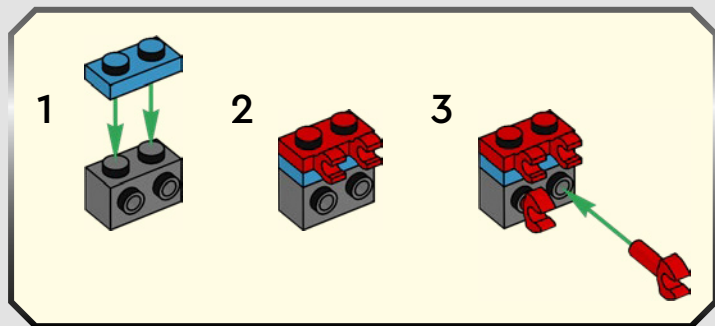


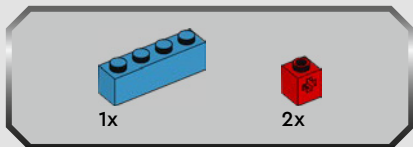
28



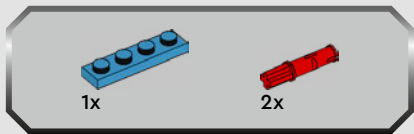
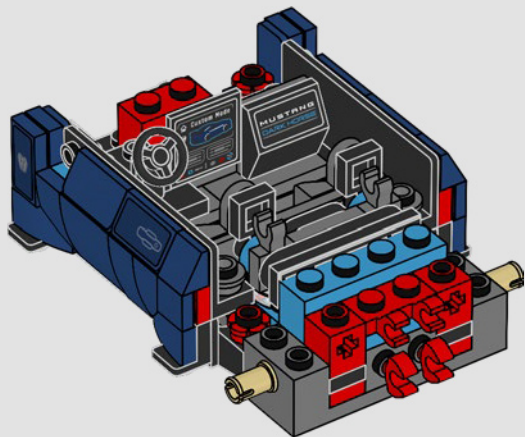


29

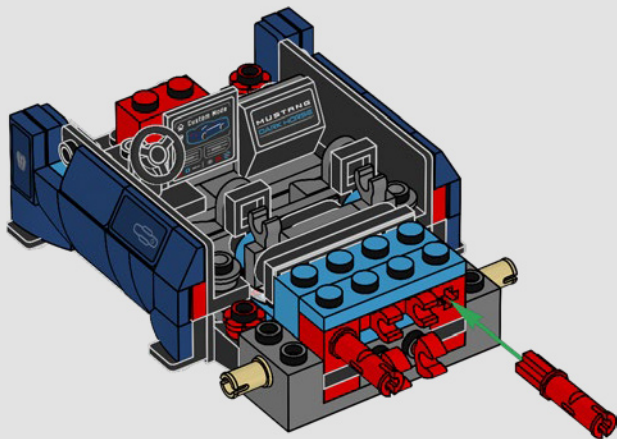


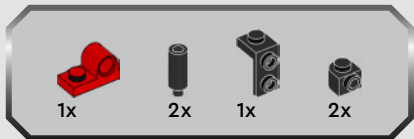


30

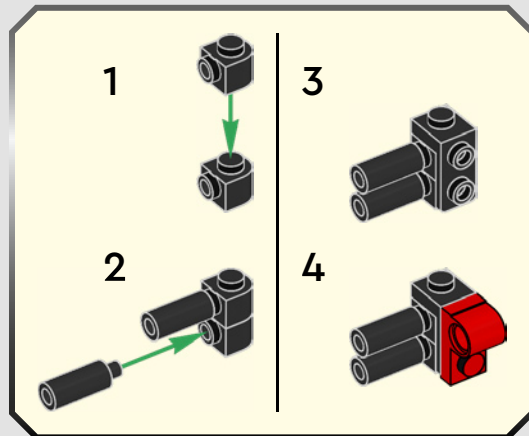
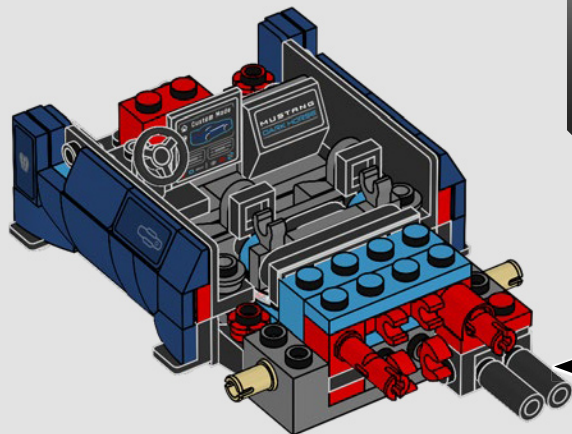


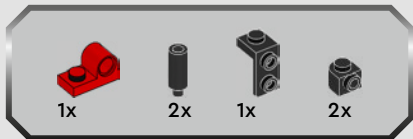
31



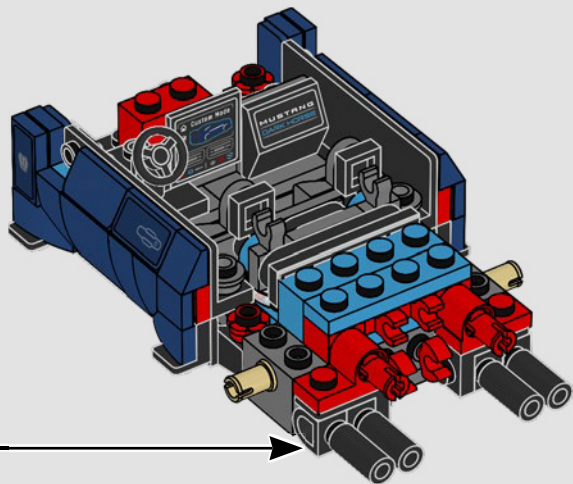
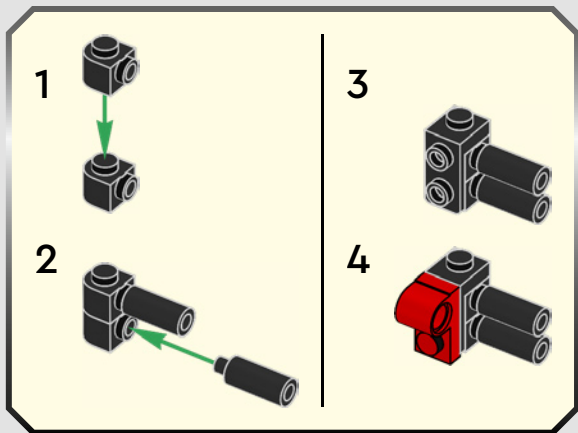


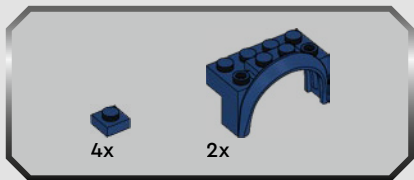
32



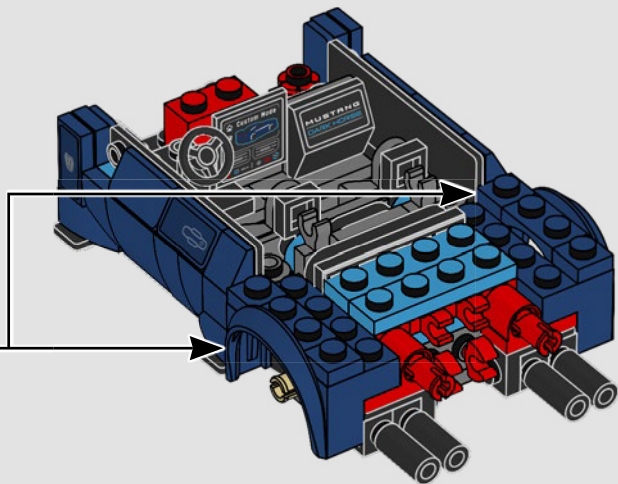
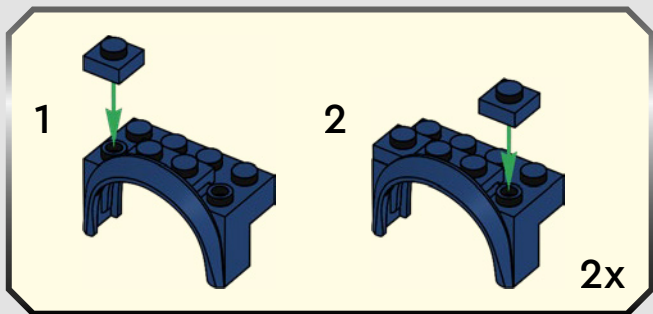


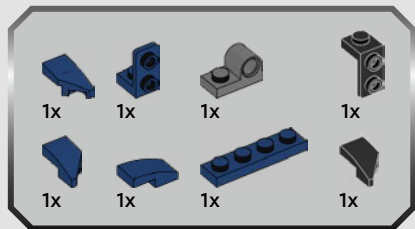
33





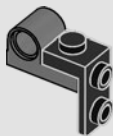
34





35

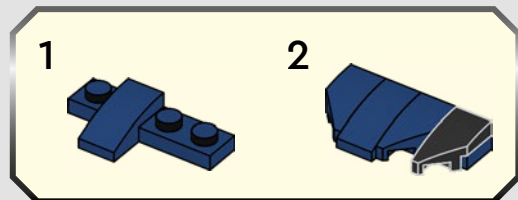
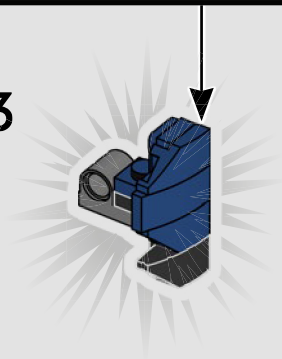
1

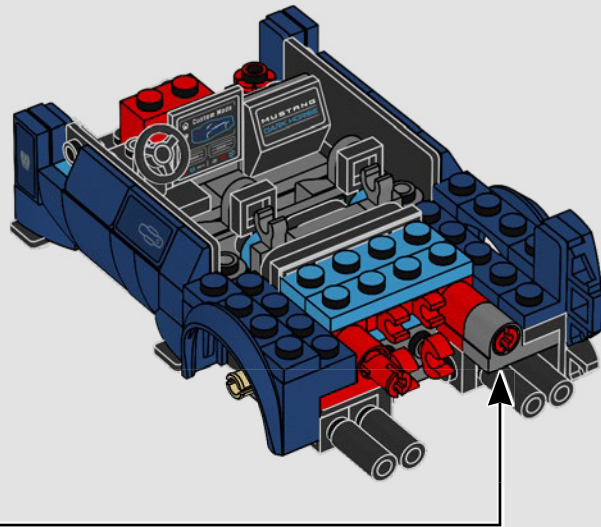


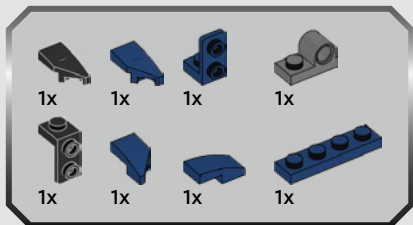
2



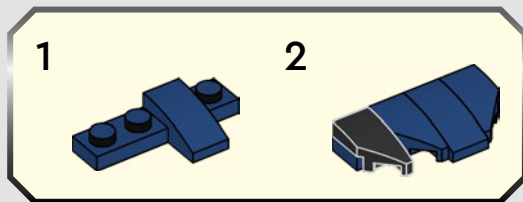
3







36



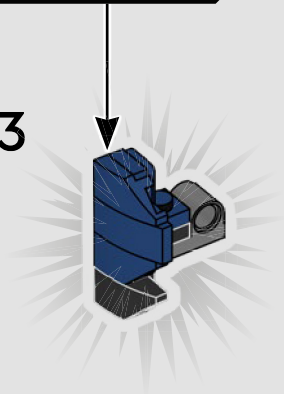
1

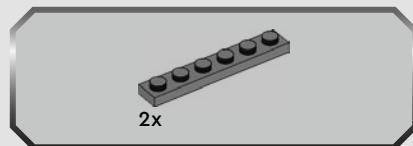
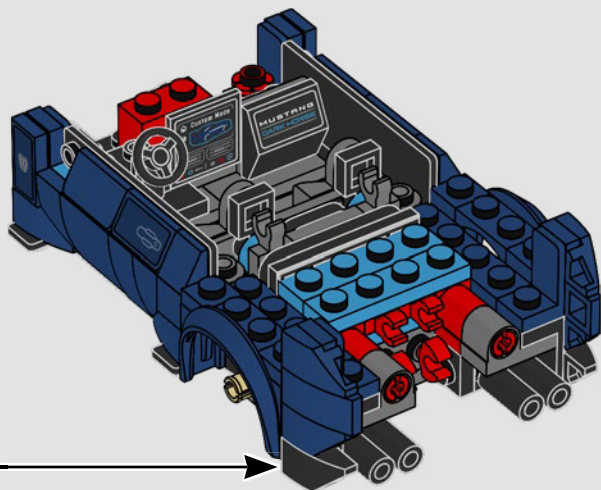


2

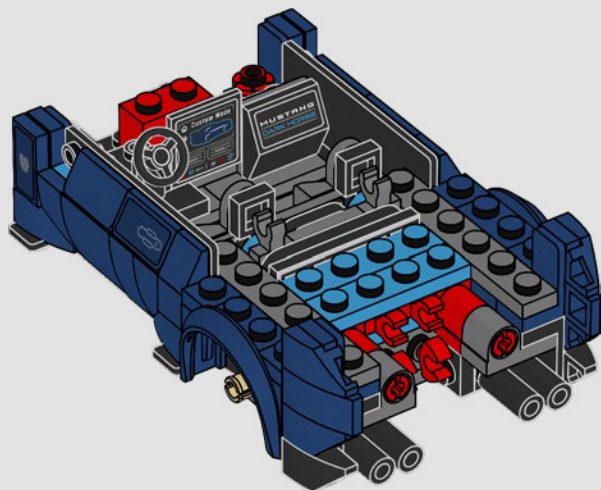


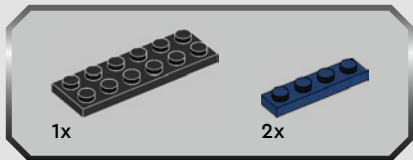
3



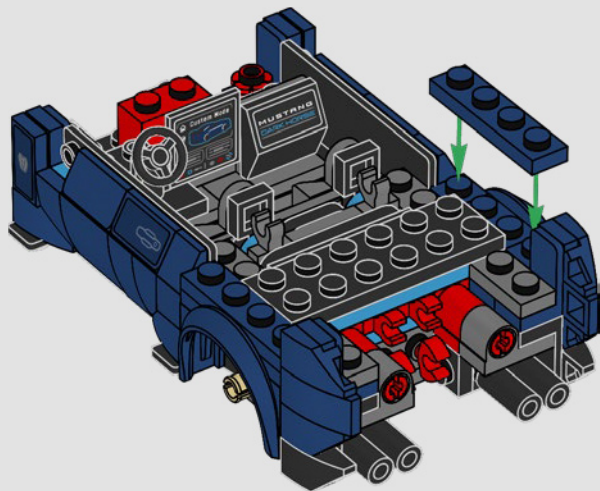


37

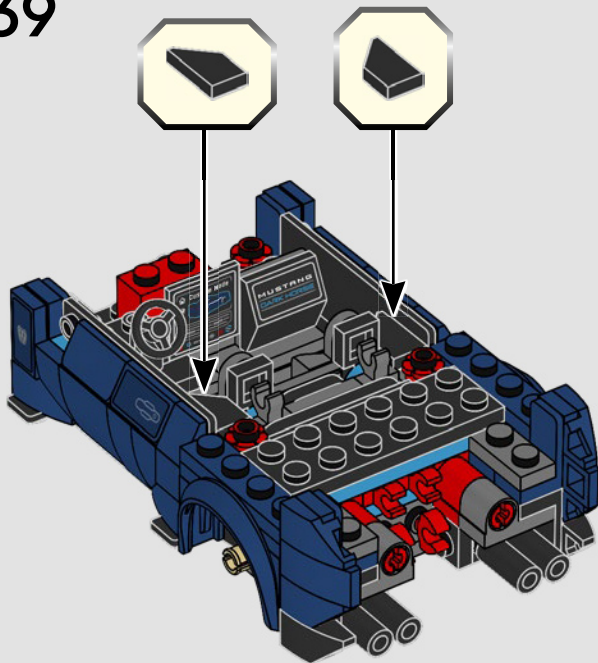


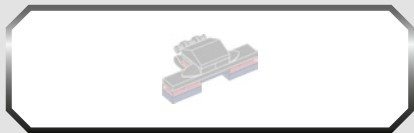


38

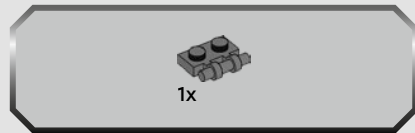
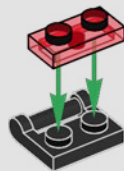


39





40

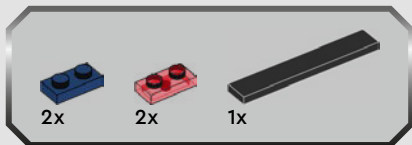
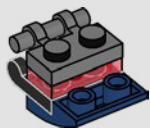


41

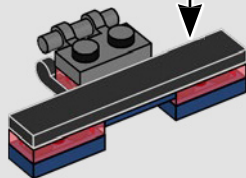
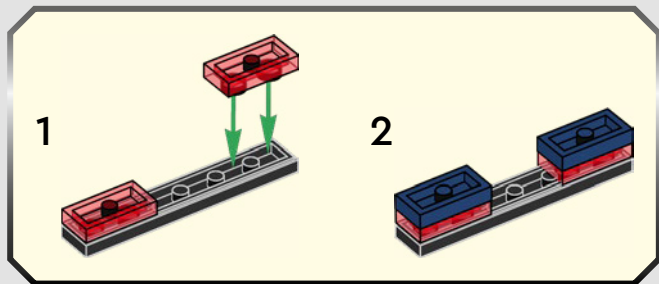


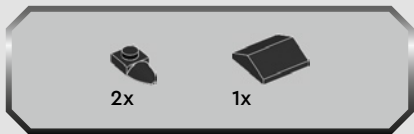


42

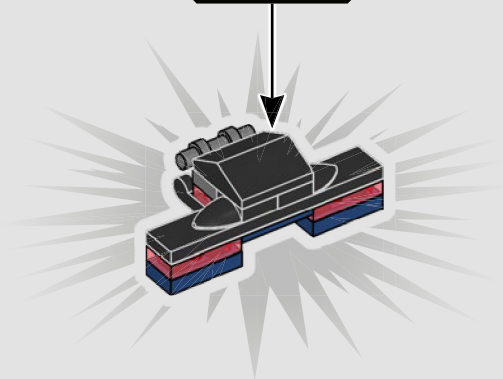
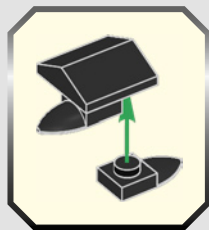


43

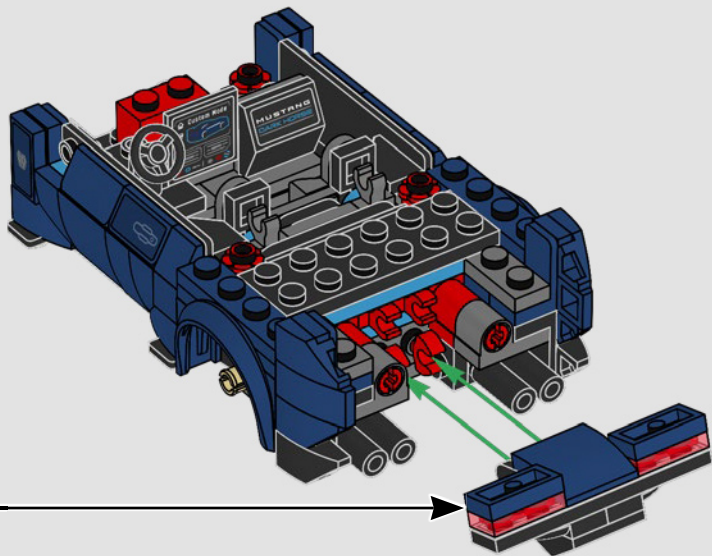


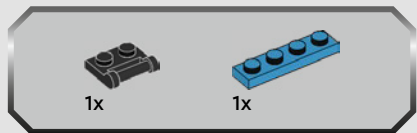


44

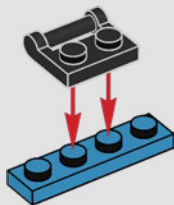


45

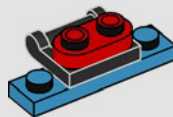


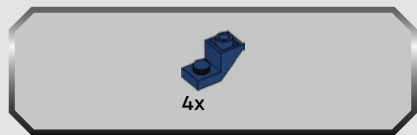


46

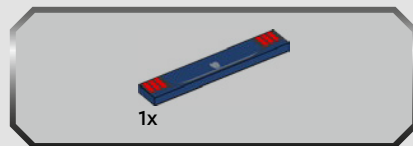
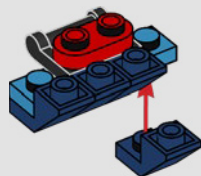


47

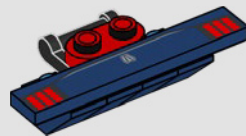




48



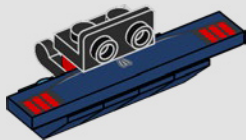
49





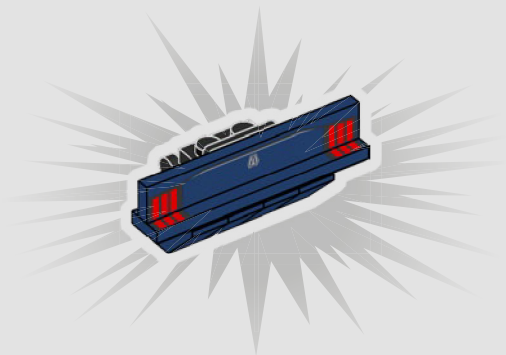
1x

50

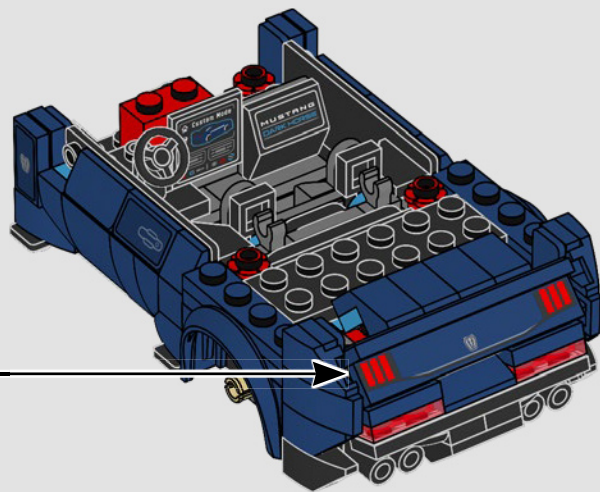


1x

51



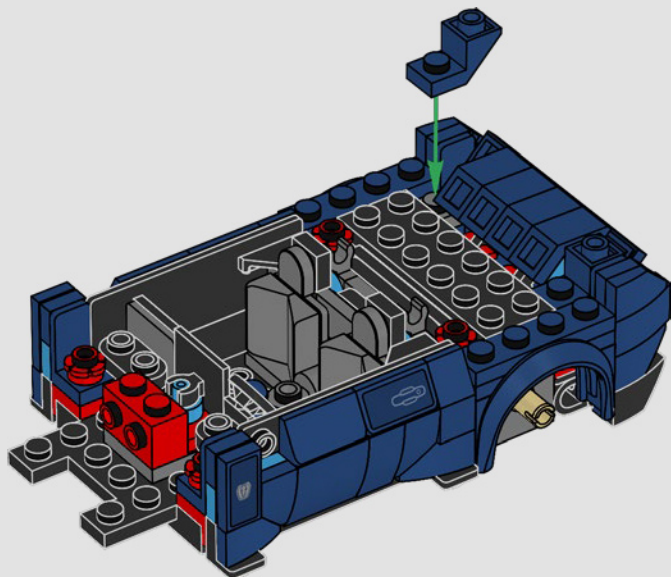
52





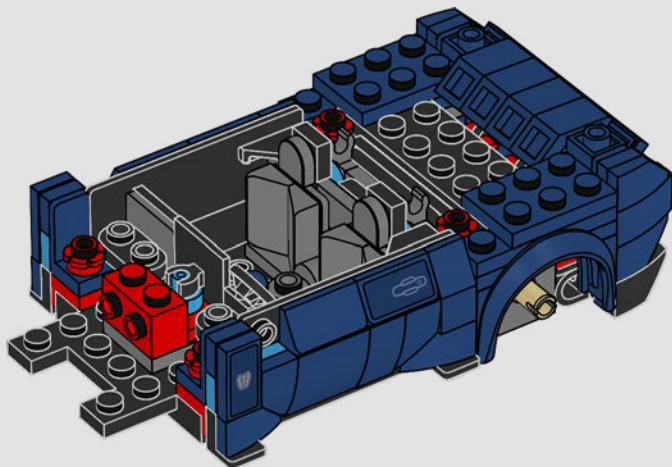
2x

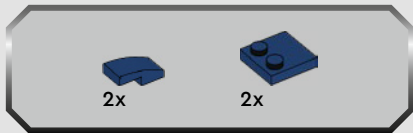
53



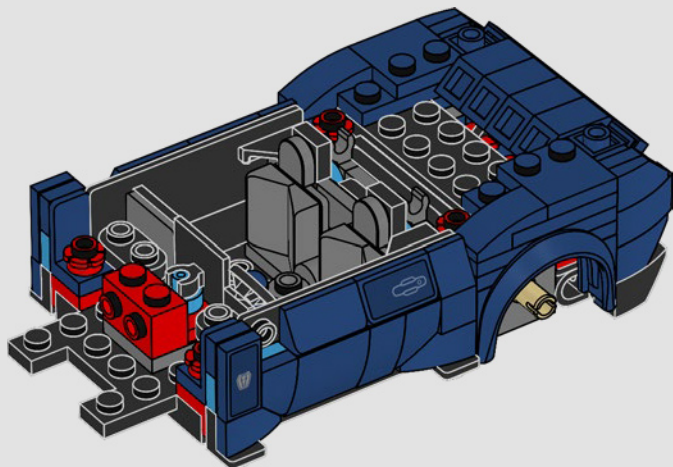


54



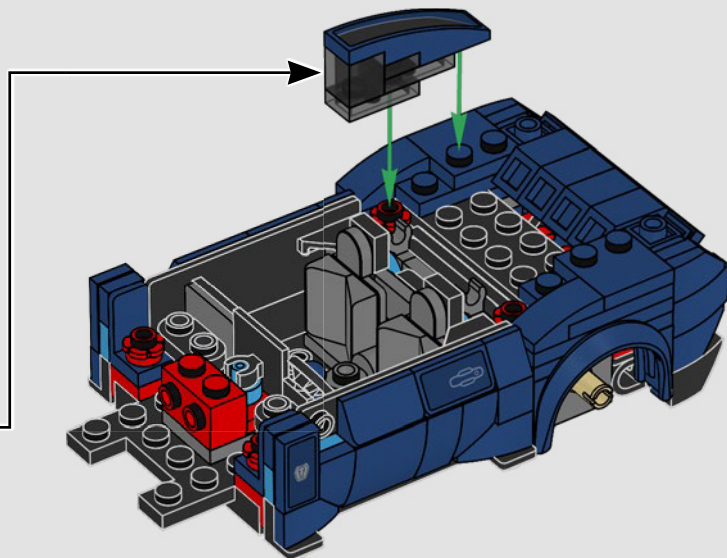
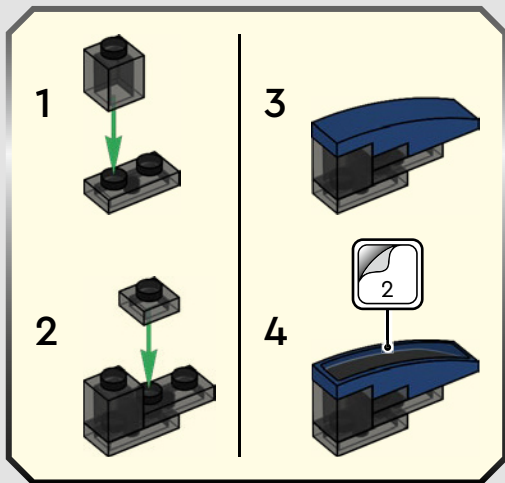


55



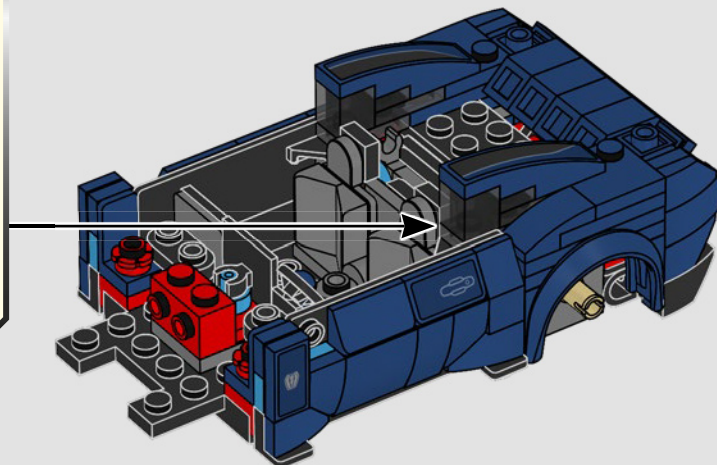
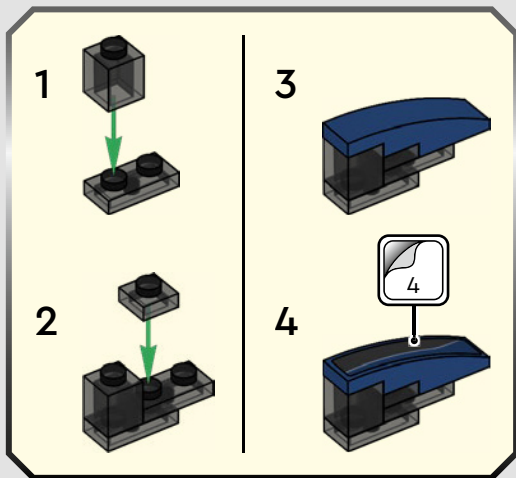


56

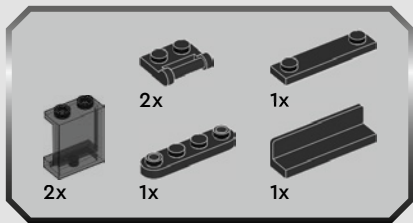




57

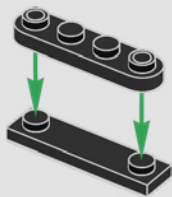




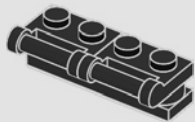


58

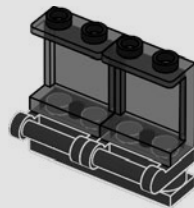
1



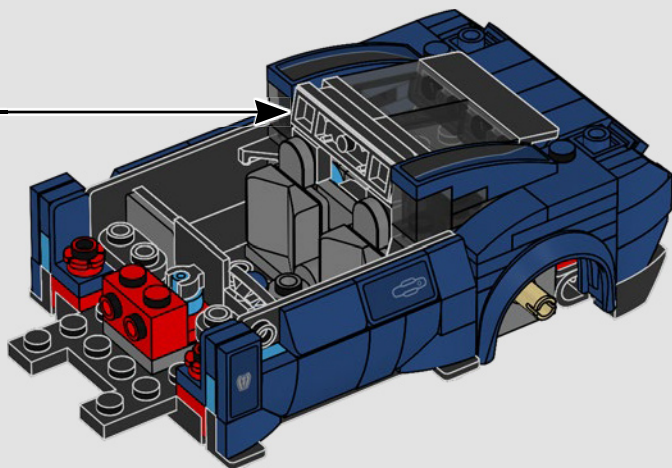
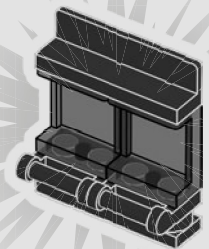
2

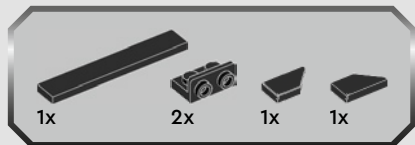


3



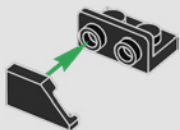
4



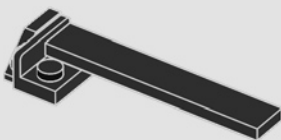


59

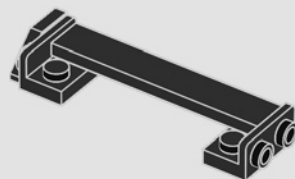
1



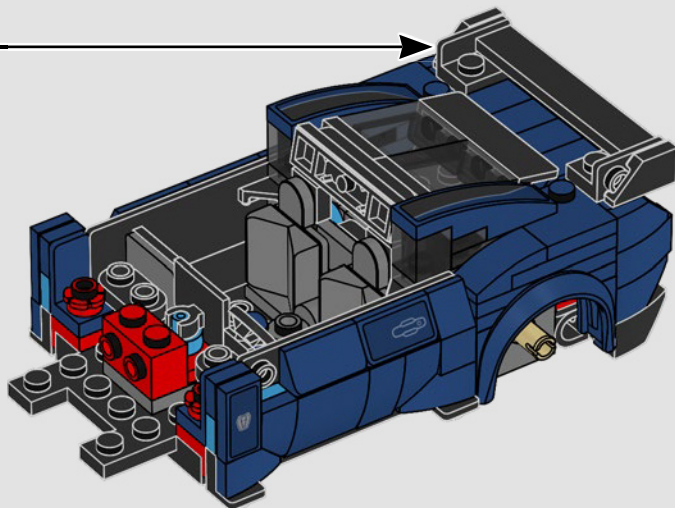
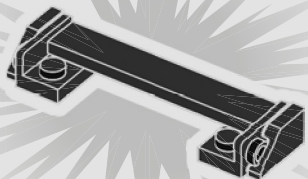
2

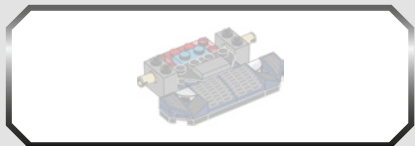


3

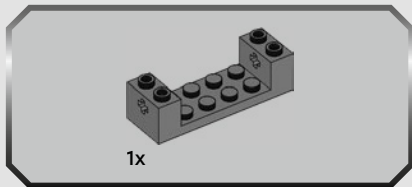
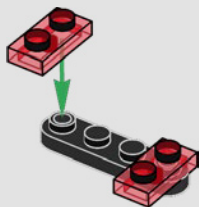


4

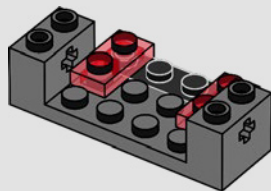




60

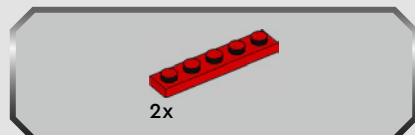
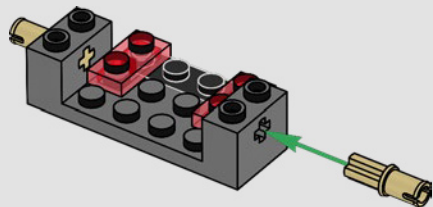


61

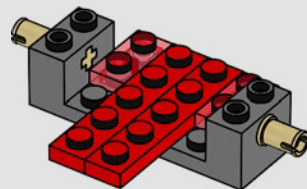


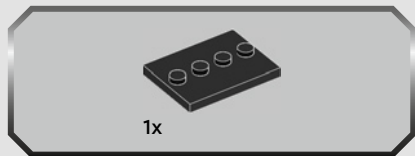


62

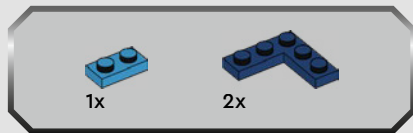
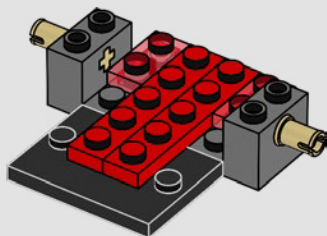


63

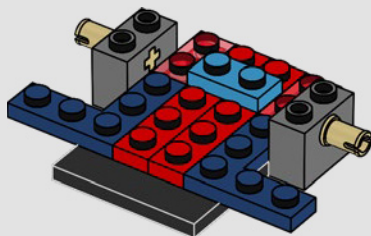




64

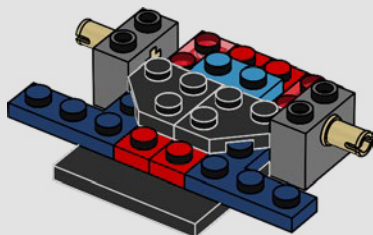


65

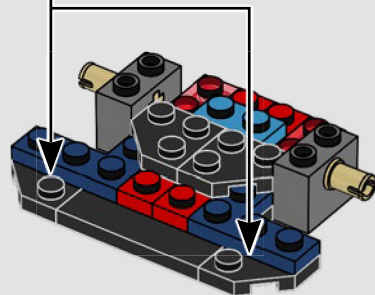
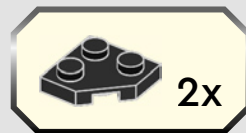




66

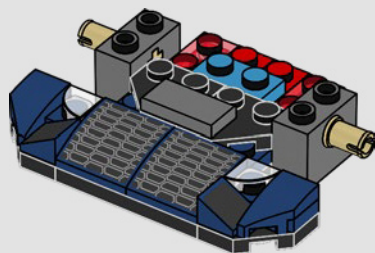


67

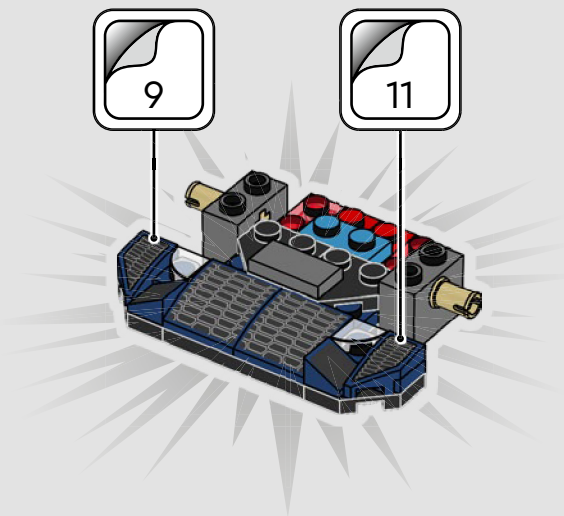




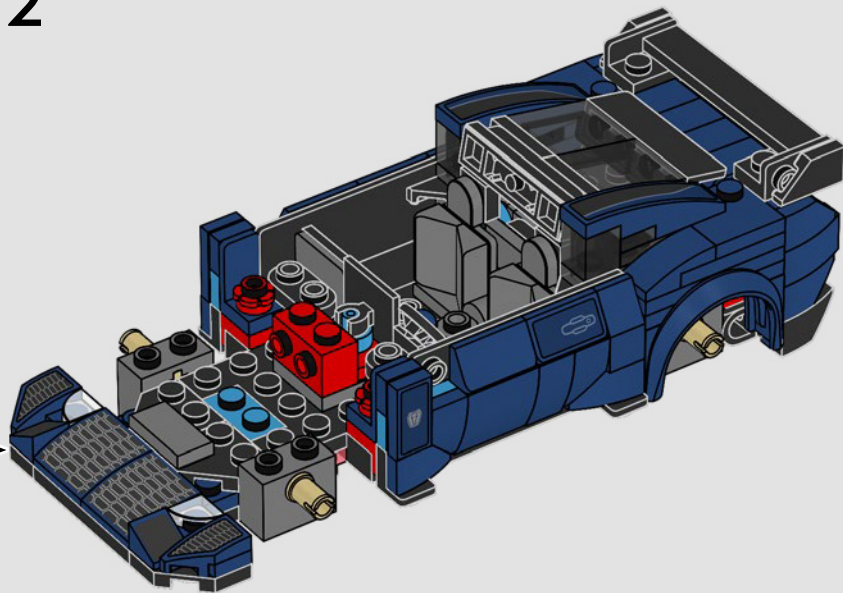
70

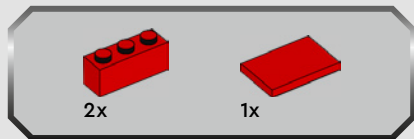


71

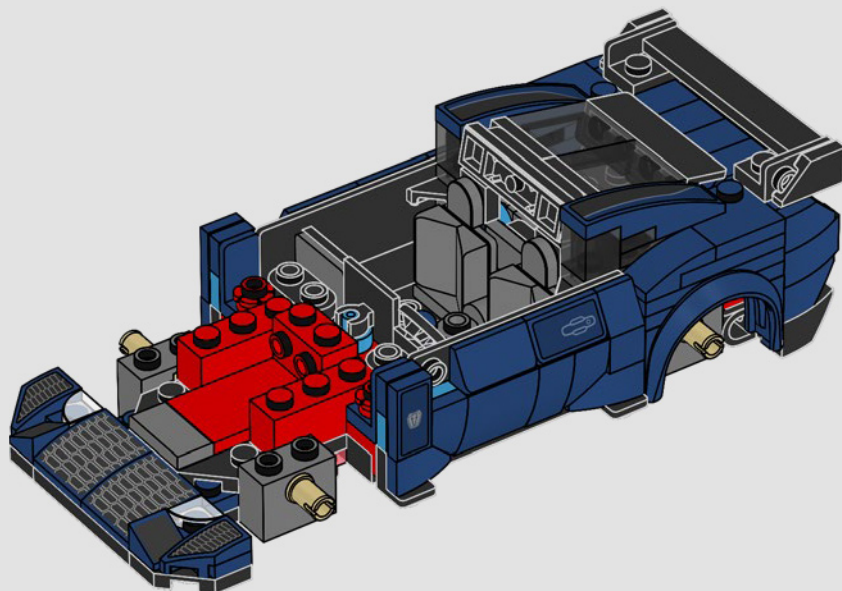


72



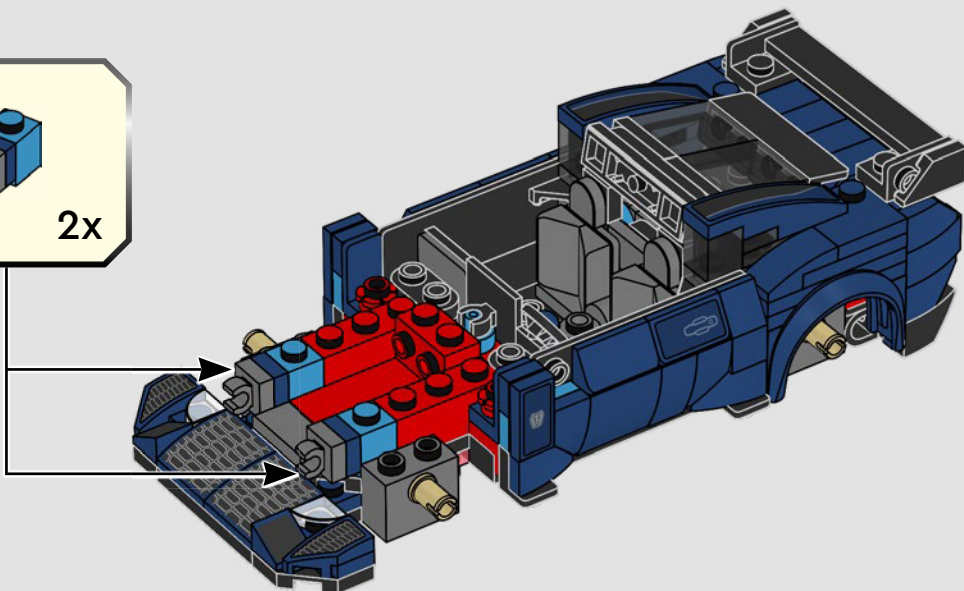
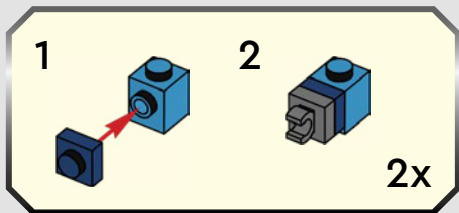


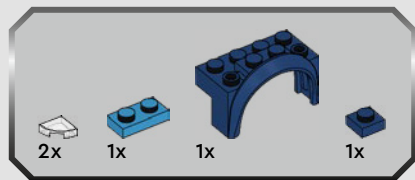
73





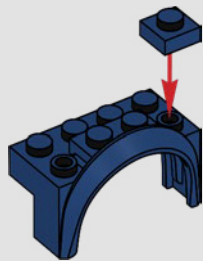
74



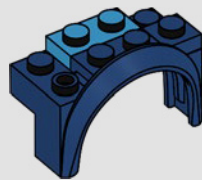


75

1

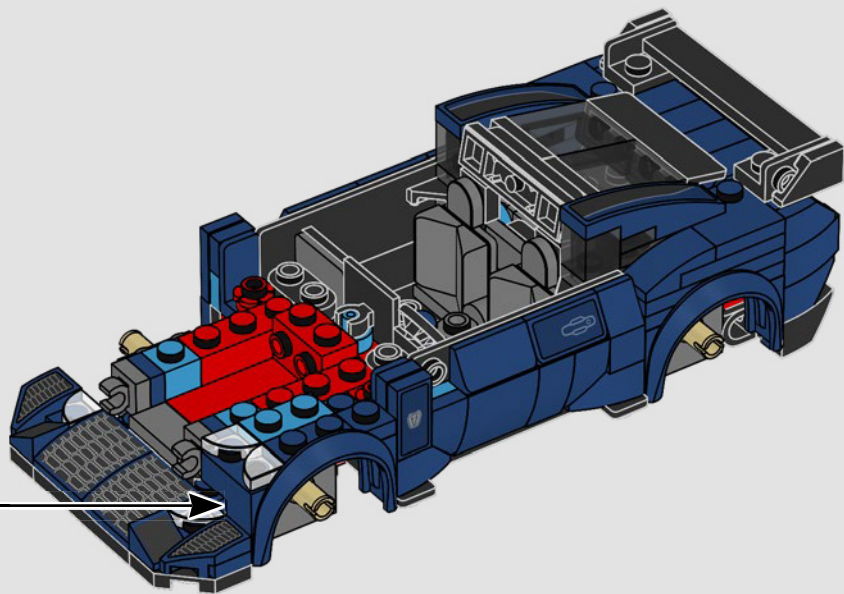


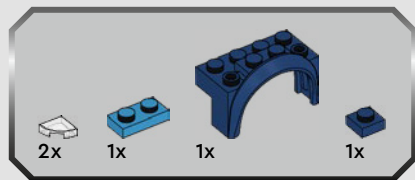
2



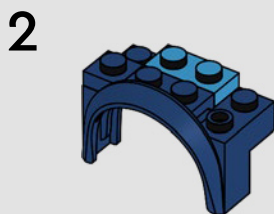
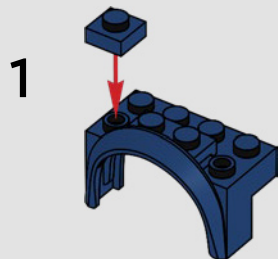
3

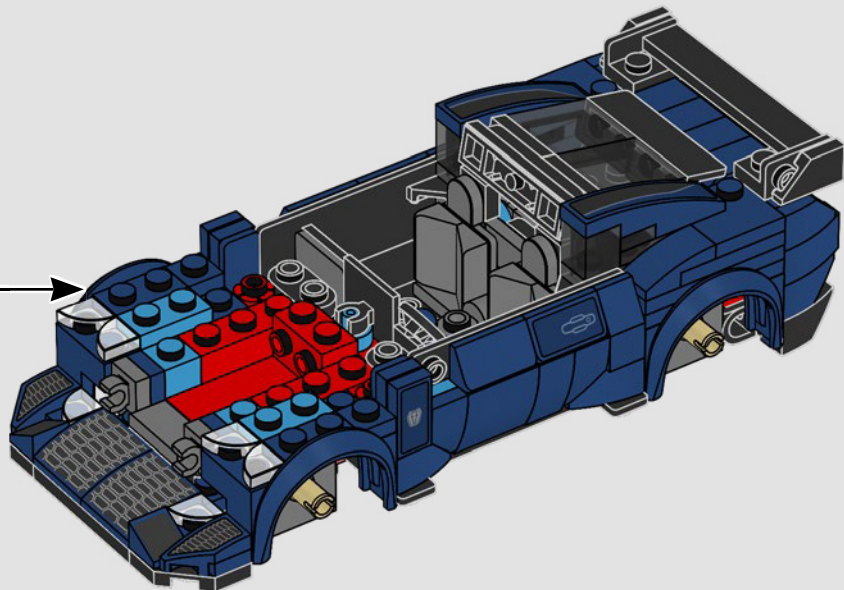


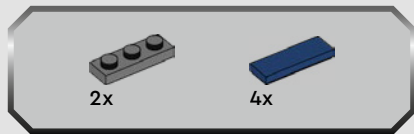




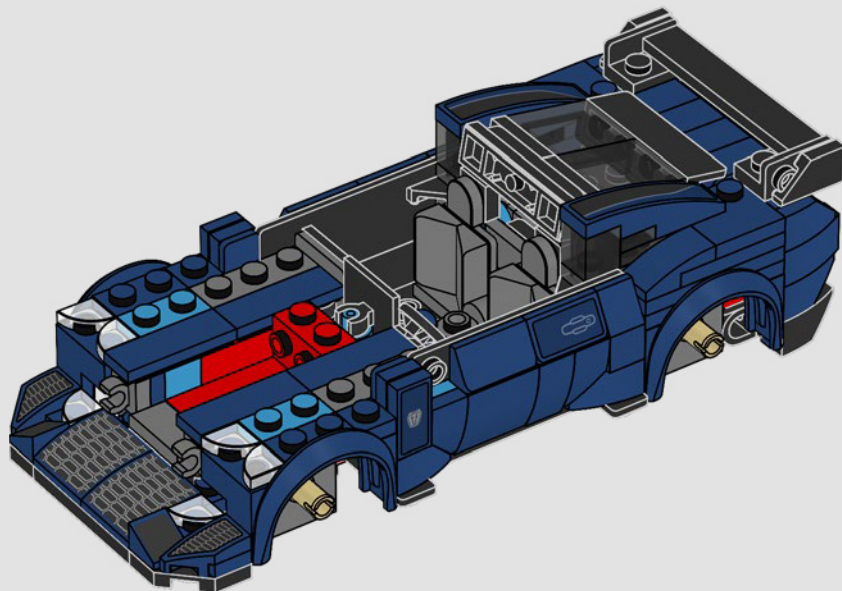
76

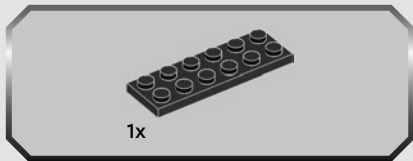




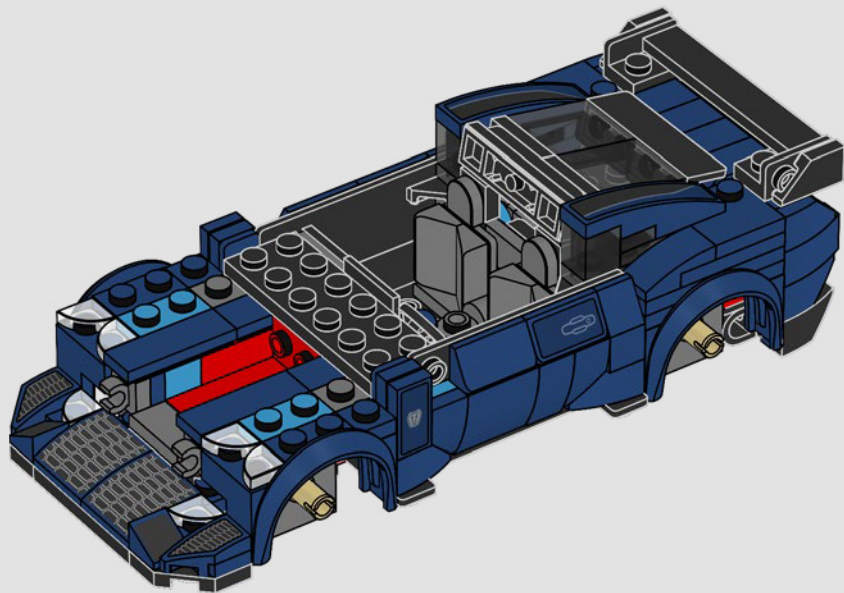


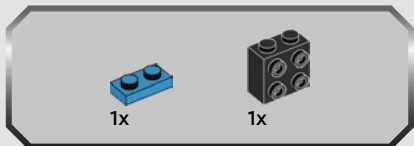
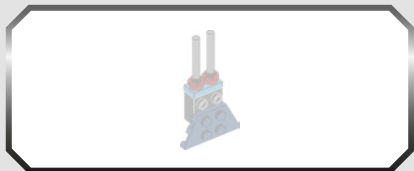
77



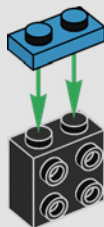


78

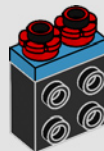


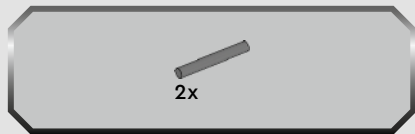


79

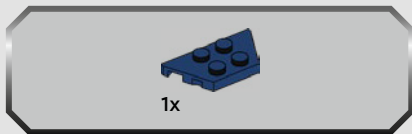
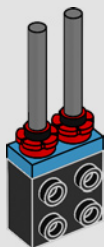


80

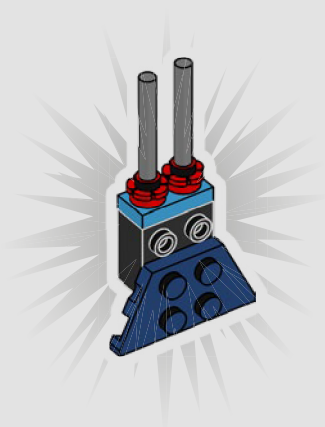




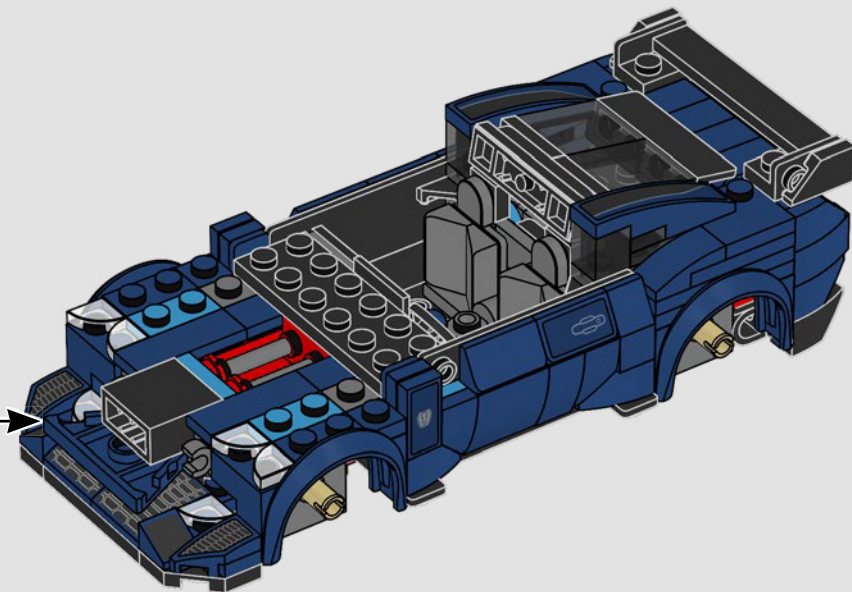
81

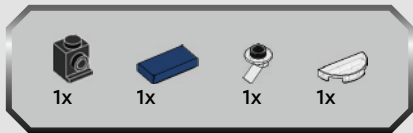


82



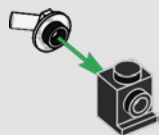
83





84

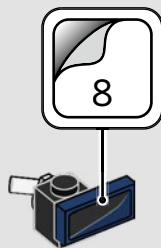
1



2

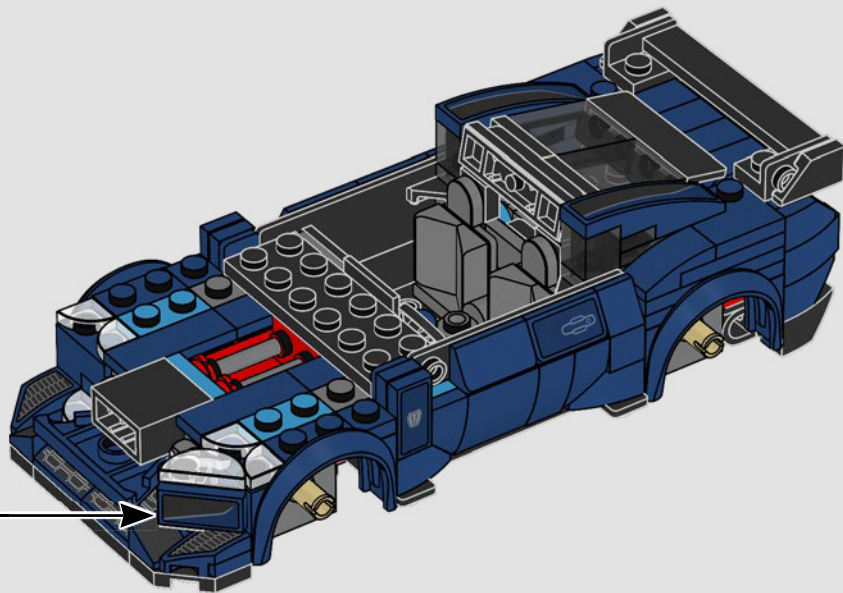


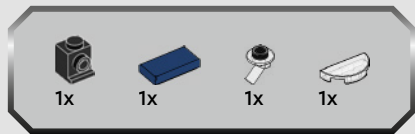
3



4

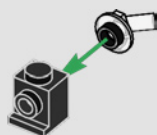






85

1



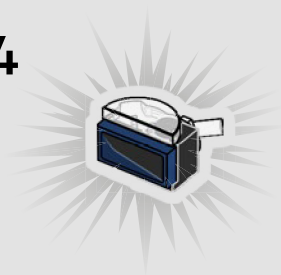
2

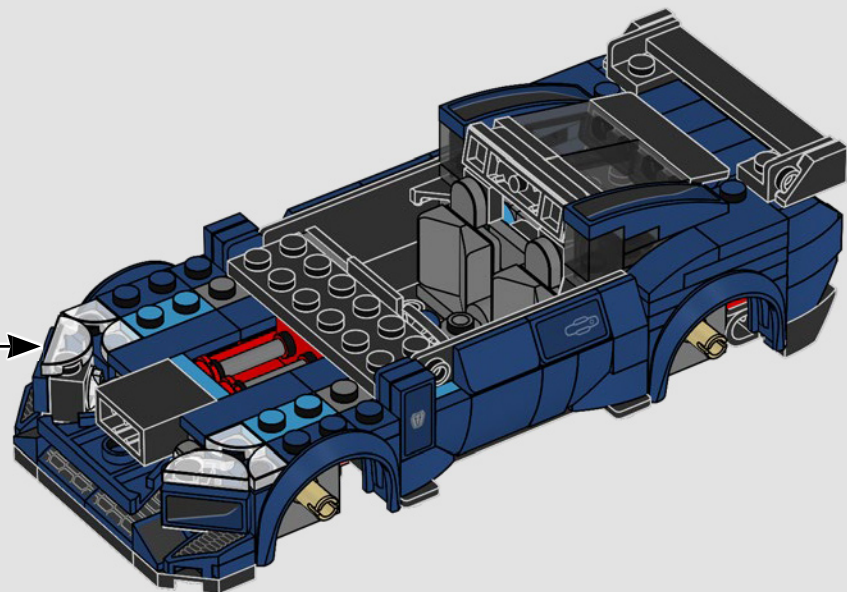


3



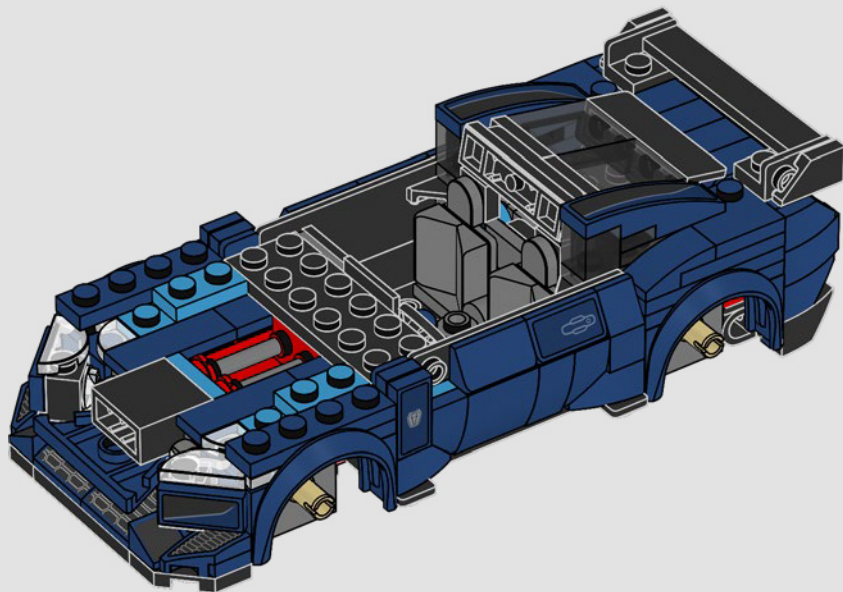
4





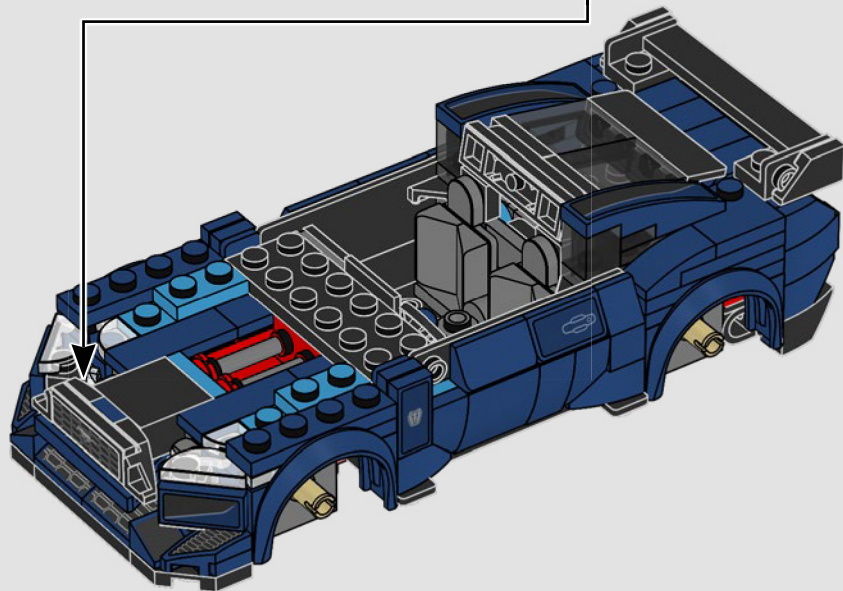
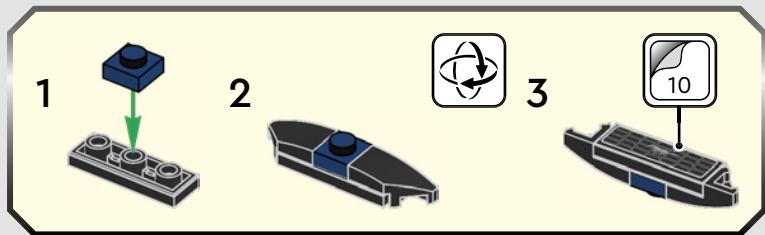


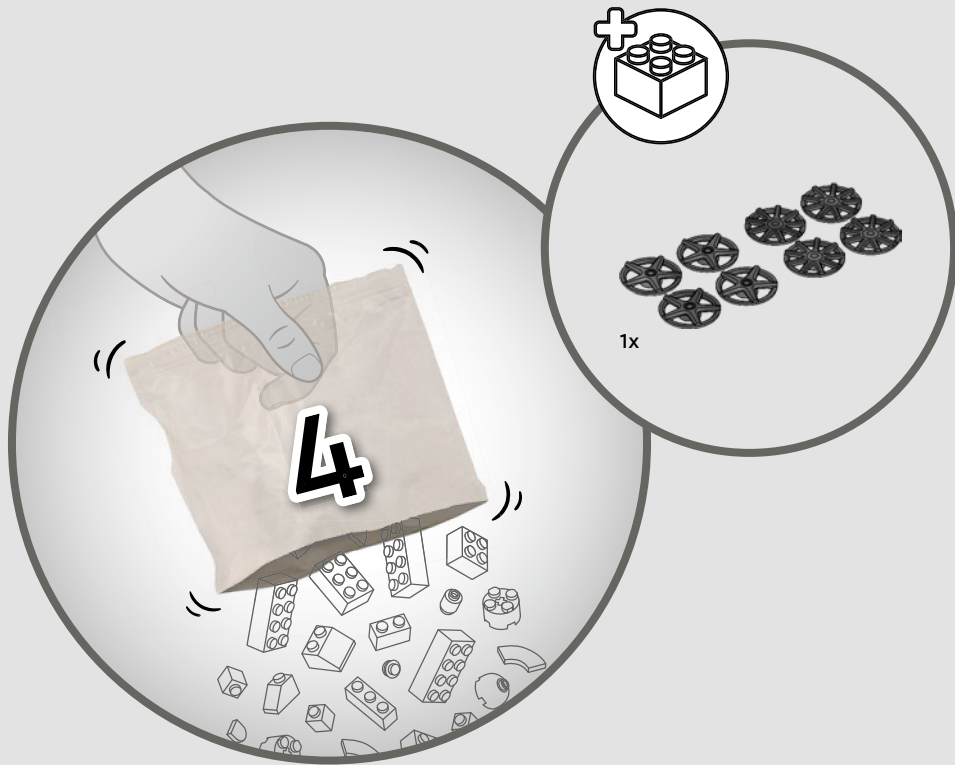
86

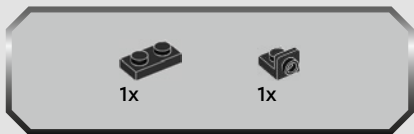




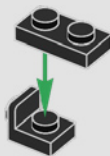
87



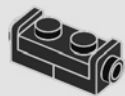




88



89





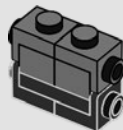
2x

90



2x

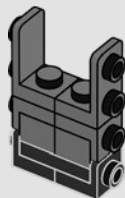
91





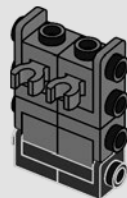
2x

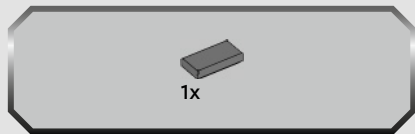
92



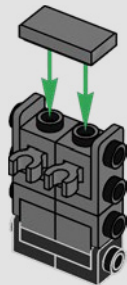
2x

93

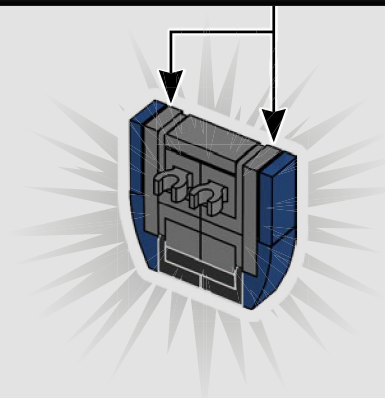
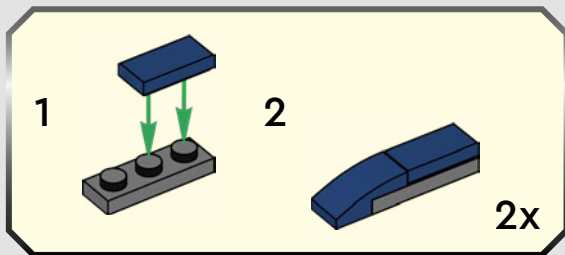




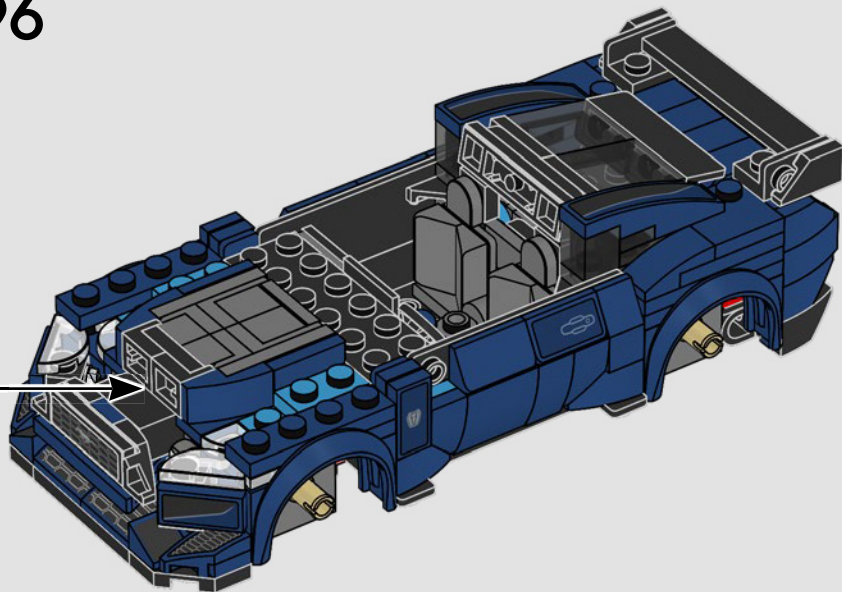
94



95



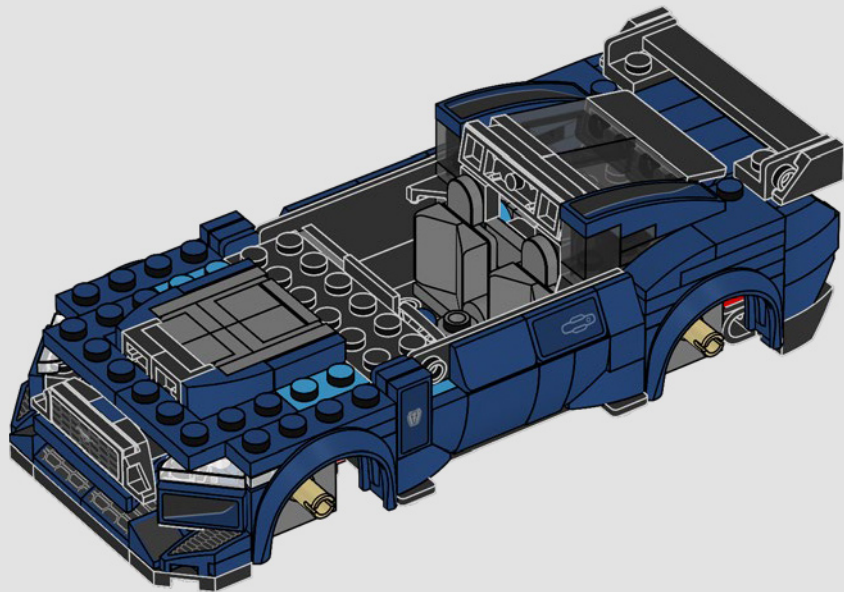
96

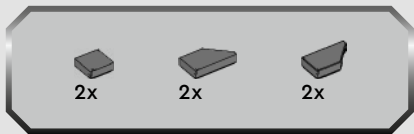




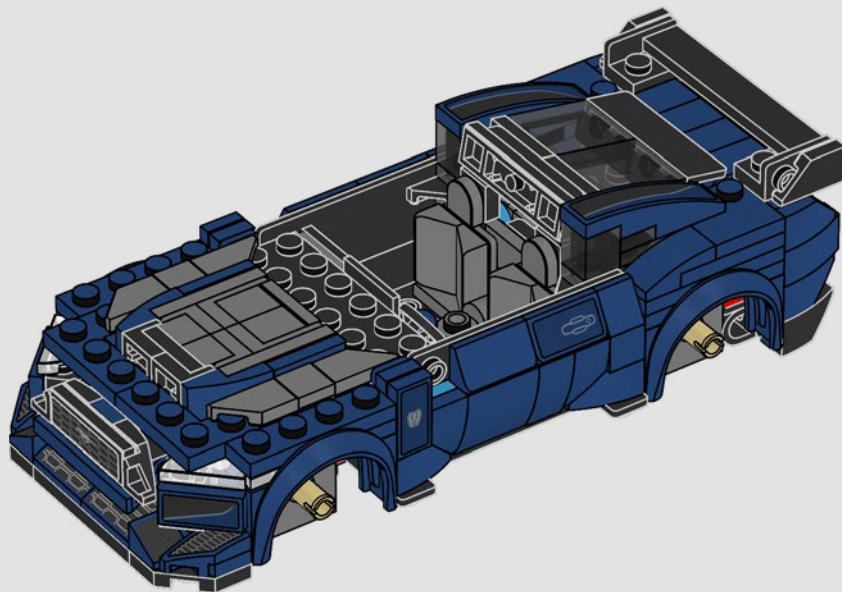
2x

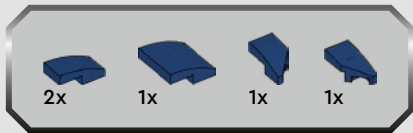
97



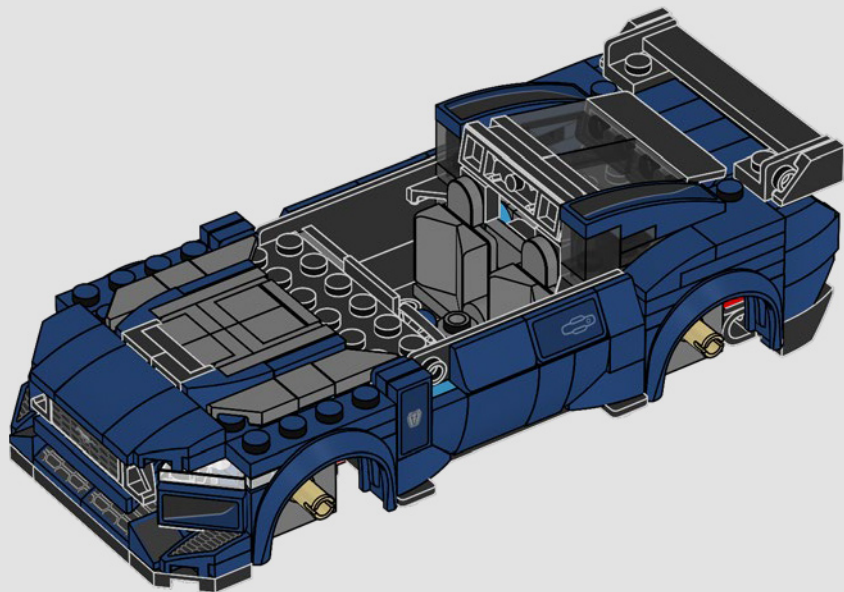


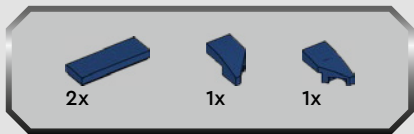
98



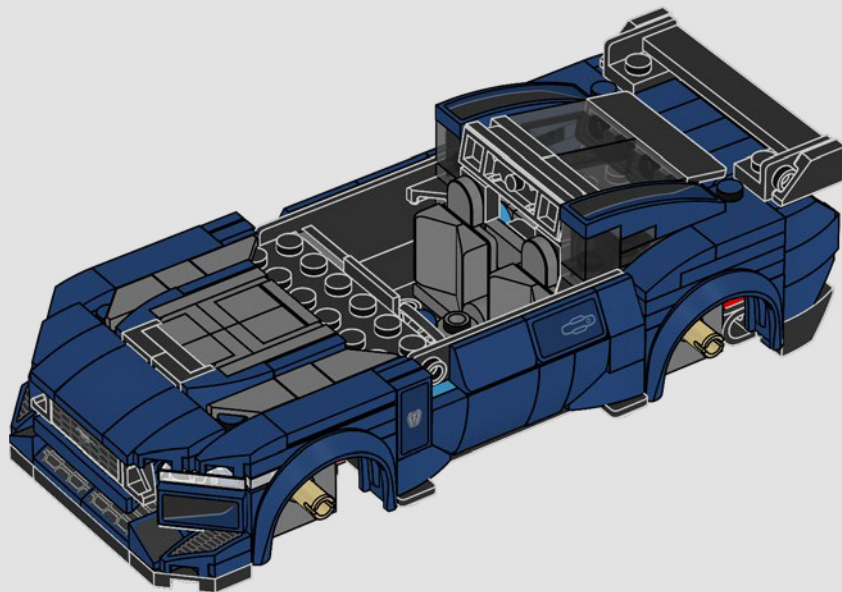


99



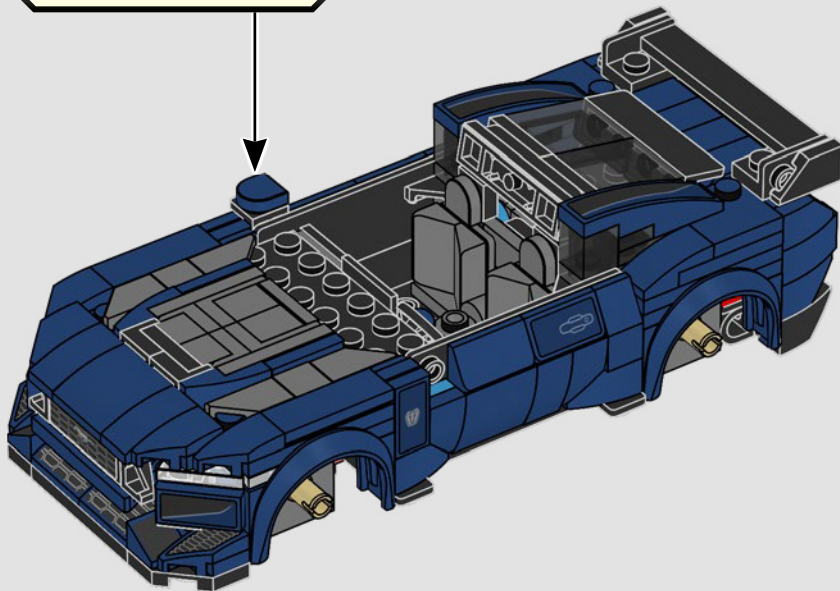
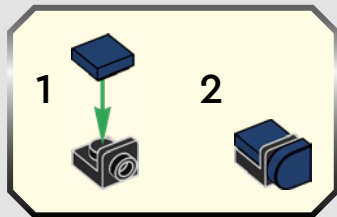


100



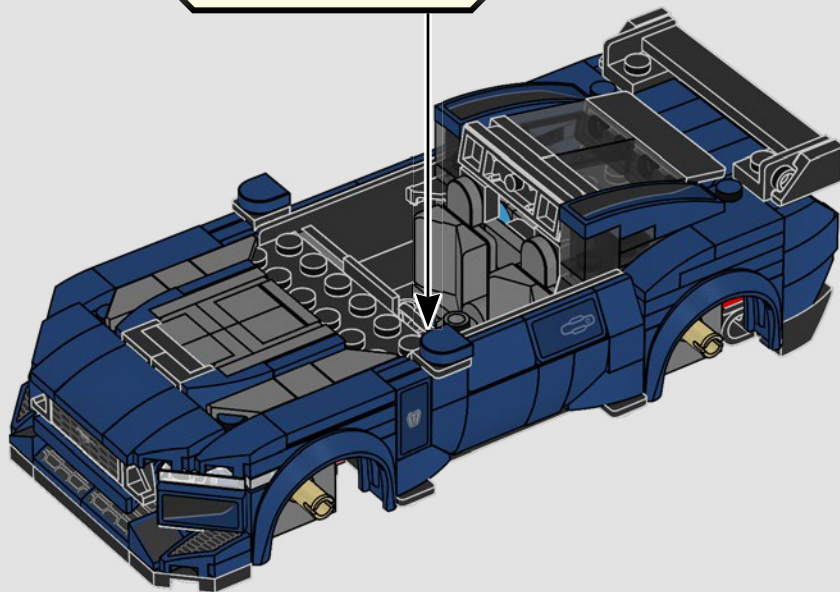
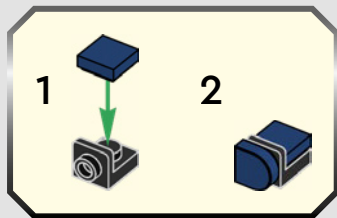


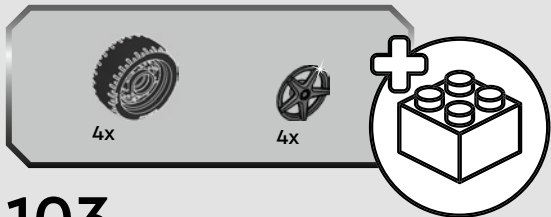
101



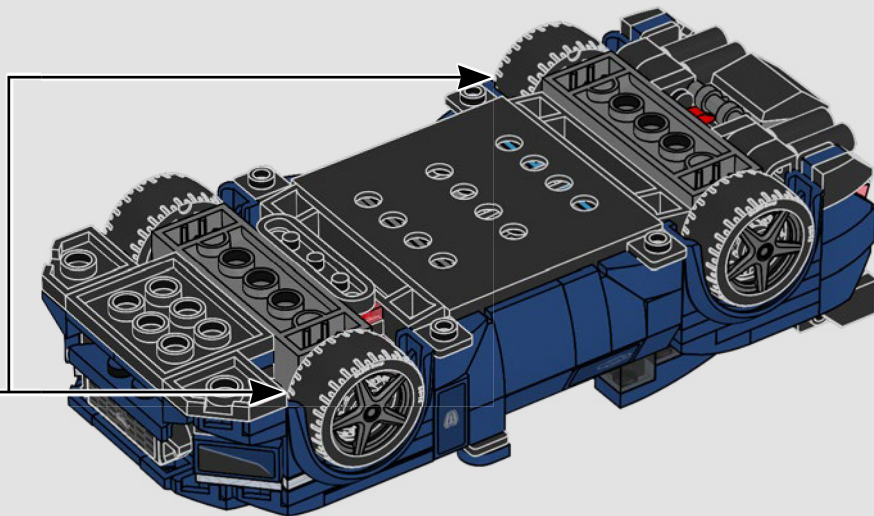
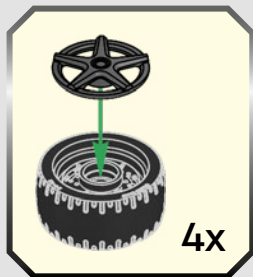


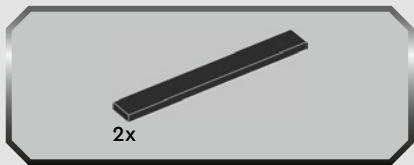
102



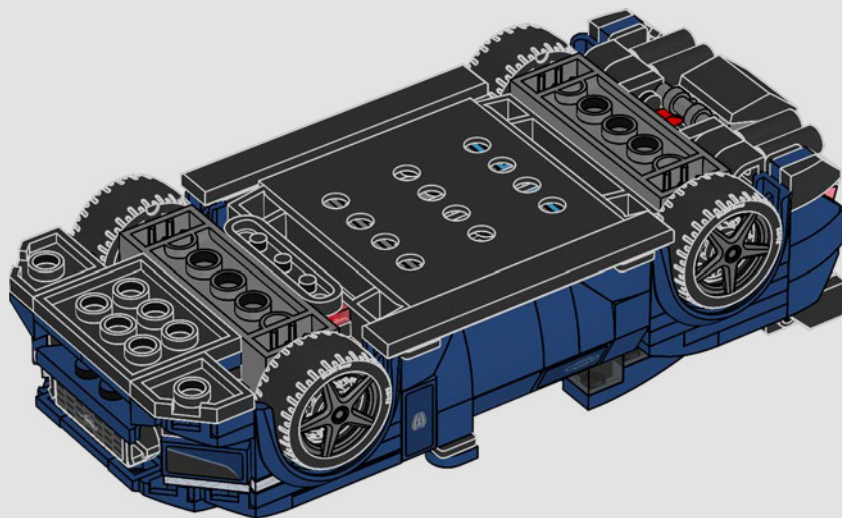


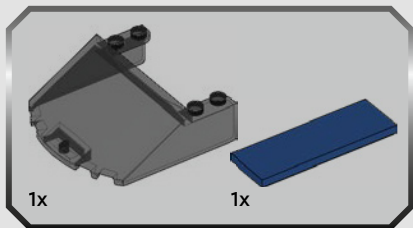
103



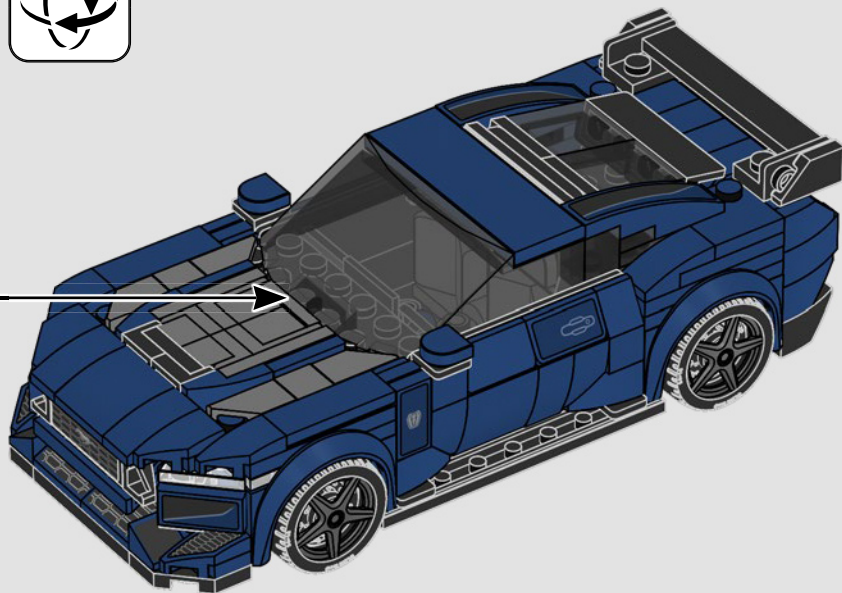
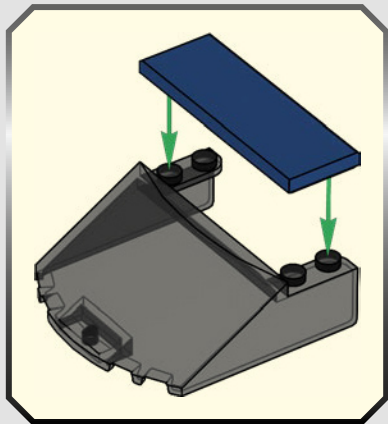


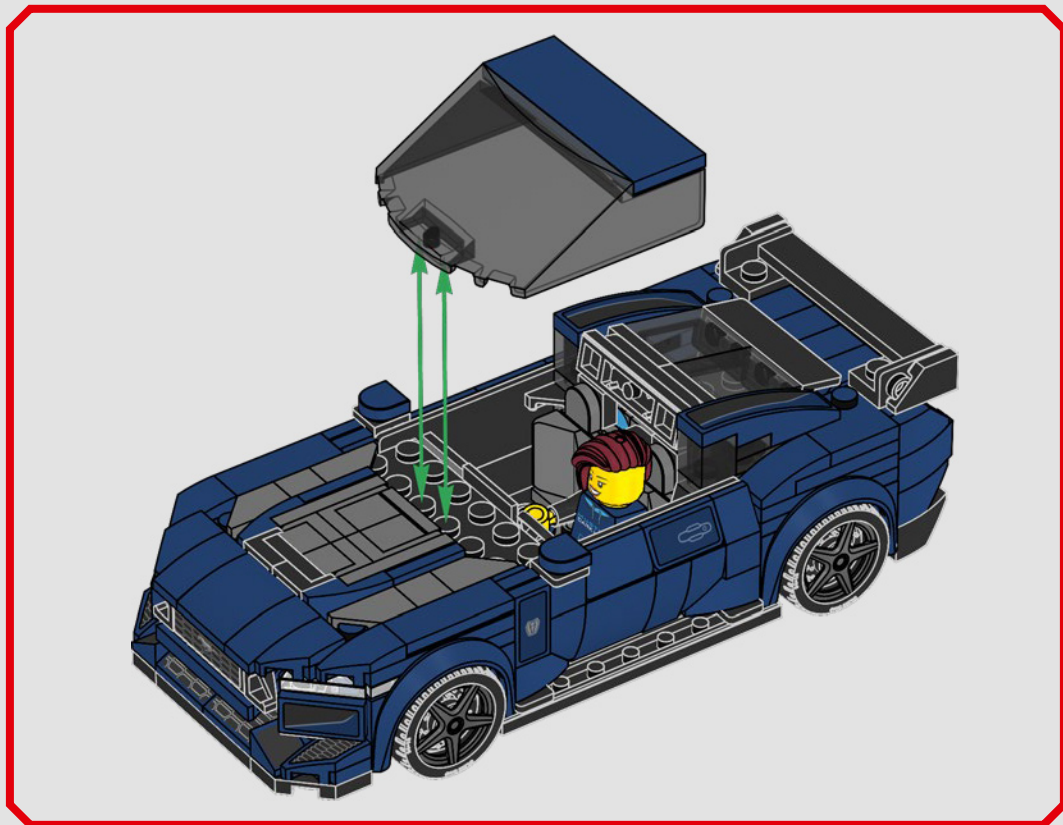
104

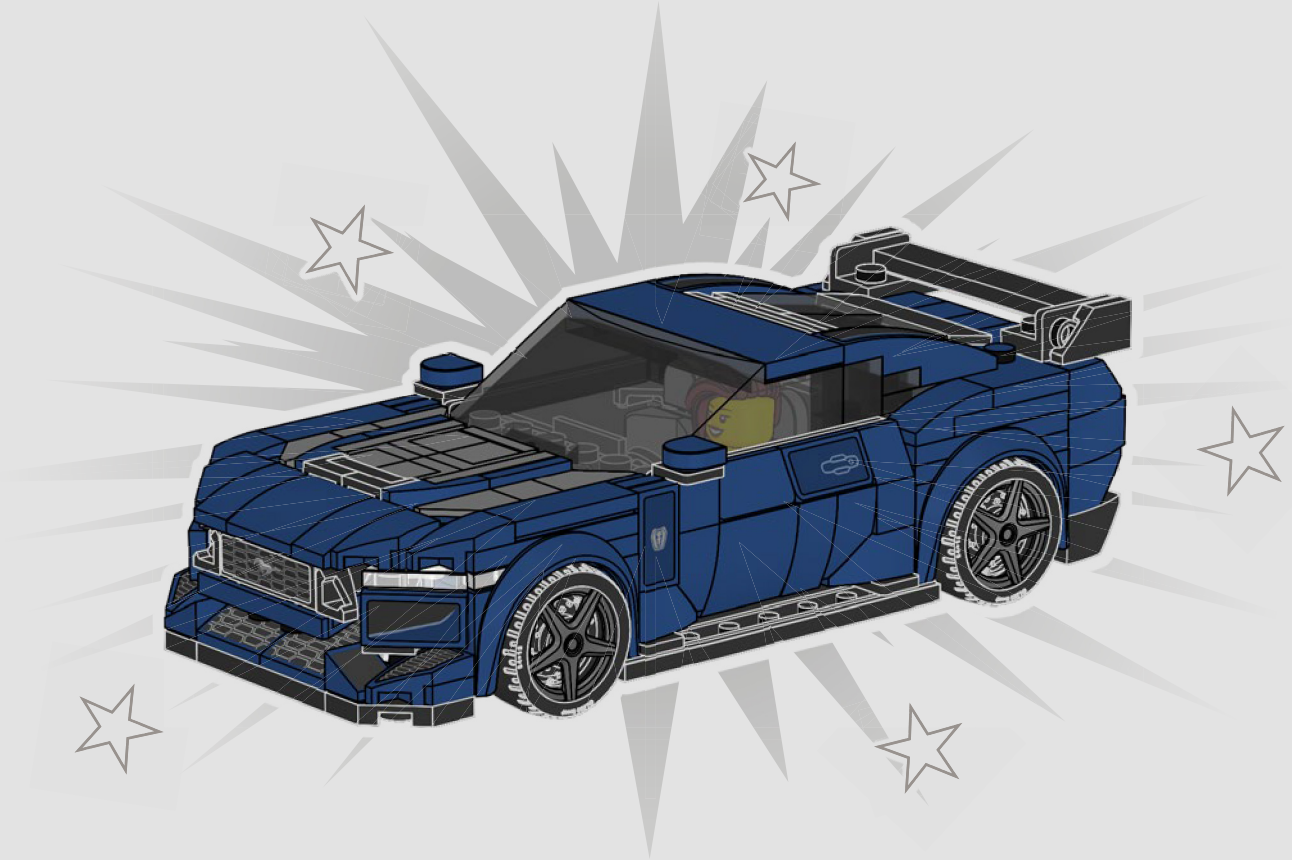




105









SPEED CHAMPIONS



76922



76919



76920































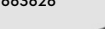


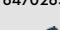





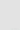

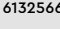
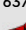











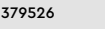










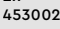



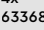
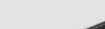
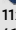
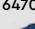




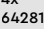


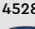

76921

The BMW logo, the BMW word mark and the BMW model designation are trademarks of BMW AG and are used under license.

Manufactured under license from McLaren Racing Limited. 'McLaren' is a trademark of McLaren Services Limited.

Ford Motor Company Trademarks and Trade Dress used under license to the LEGO Group.

Trademarks, design patents and copyrights are used with the approval of the owner AUDI AG.

 4x 4666579	 2x 242021	 8x 6234695	 4x 6174243	 1x 6092570	 2x 6285587	 4x 4631385	 2x 6214810
 10x 6206148	 2x 6209519	 4x 6380236	 1x 6275806	 1x 6076678	 6x 6404363	 2x 4504374	 2x 6472234
 2x 6439048	 2x 362221	 2x 6458188	 1x 302326	 2x 663626	 1x 6244787	 2x 6486137	 1x 6470263
 2x 6473604	 1x 6189130	 2x 4273590	 3x 6020193	 2x 663626	 4x 6443797	 4x 6450823	 6x 6132566
 2x 6372478	 4x 6371582	 1x 6323189	 4x 4225201	 2x 6458186	 5x 6240212	 4x 6216905	 1x 6480719
 3x 6210269	 1x 4651443	 4x 6210270	 2x 6470264	 2x 379526	 1x 6475974	 10x 6094143	 1x 4613335
 3x 6092565	 4x 6290456	 2x 6330189	 1x 6272184	 2x 416226	 2x 6444941	 6x 4528488	 2x 4530028
 1x 6019155	 4x 6424674	 2x 6181713	 4x 6336858	 2x 416226	 2x 6444941	 6x 6470262	 2x 4502089
 2x 6099736	 2x 407026	 2x 6458187	 4x 6428167	 1x 6424673	 11x 4184108	 2x 4528981	 6x 4502089
 1x 6360036	 2x 6181720	 1x 73081	 2x 6254045	 1x 6424673	 9x 6214811	 3x 6061569	 2x 6042956



4x
6474895



4x
6468003



2x
6472233



1x
6326191



1x
6399633



1x
6446762



5x
6231765



2x
6362252



3x
4210848



2x
6333129



2x
6388133



2x
6344022



2x
6413106



2x
6336390



2x
6477756



2x
6321350



2x
6360111



4x
4567887



2x
6477749



6x
4211052



1x
6230233



2x
6019987



3x
6308045



1x
6250018



1x
4210660



2x
6310596



1x
4211094



4x
4211133



2x
6343852



3x
4211056



2x
6454959



1x
6167576



8x
6323457



3x
6223733



2x
6004938



1x
6005307



12x
4653988



2x
6133728



1x
6213272



1x
6210675



2x
6470140



2x
6446336



4x
6471727



2x
6469858



1x
6469314



[LEGO.com/service](https://www.LEGO.com/service)

SHARE YOUR FEEDBACK



Scan this QR code or go to
LEGO.COM/PRODUCTFEEDBACK and give us
your short feedback about this LEGO® set.

Terms and Conditions apply*

EN: SHARE YOUR FEEDBACK. Terms and Conditions apply* **DE: Teile dein FEEDBACK.** Es gelten die Teilnahmebedingungen* **FR: Partagez vos COMMENTAIRES.** Des conditions s'appliquent* **IT: Condividi il tuo FEEDBACK.** Termini e condizioni sono applicabili* **ES: Comparte tu OPINIÓN.** Aplican términos y condiciones* **PT: Partilha o teu FEEDBACK.** Aplicam-se termos e condições* **ZH: 请分享您的反馈。条款和条件适用*** **PL: Podziel się swoją OPINIĄ.** Obowiązują warunki korzystania* **CS: Podělte se o ZPĚTNOU VAZBU.** Platí všeobecné smluvní podmínky* **SK: Podel' sa o svoj NÁZOR.** Platia všeobecné zmluvné podmienky* **HU: Oszd meg a VÉLEMÉNYED.** Felhasználási feltételek érvényesek* **RO: Trimite FEEDBACK.** Se aplică termenii și condiții* **BG: Споделете вашите ОТЗИВИ.** Има определени правила и условия* **LV: Sniedziet ATSAUKSMES.** Ir spēkā noteikumi un nosacījumi.* **ET: Jaga oma TAGASISIDET.** Kehtivad tingimused* **LT: Palikite ATSLIEPIMĄ.** Taikomos sąlygos*
*LEGO.com/productfeedback-terms