

**RETAIN THESE INSTRUCTIONS FOR FUTURE REFERENCES.
 ASSEMBLY TO BE CARRIED OUT BY A COMPETENT ADULT ONLY.**

Full assembly instructions including a list of components and tools required.

PART LIST

① 1pc ② 1pc ③ 1pc ④ 2pcs ⑤ 1pc ⑥ 2pcs ⑦ 2pcs ⑧ 4pcs ⑨ 6pcs ⑩ 16pcs ⑪ 1pc

⑫ 3pcs ⑬ 3pcs ⑭ 2pcs

⑮ 2pcs ⑯ 2pcs ⑰ 2pcs ⑱ 2pcs

TOOLS REQUIRED

Allen Key (Supplied)

STEP BY STEP ASSEMBLY Attention: Do not tighten the screws until you have completed assembly.

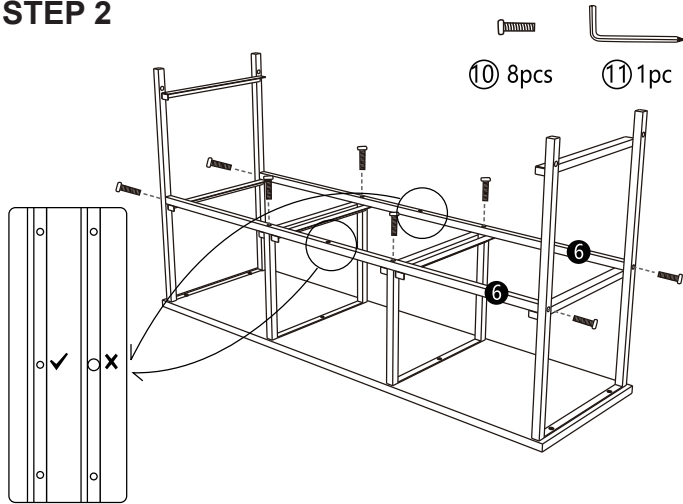
Please note: You may notice the top panel of this unit has a join where the edging material is fixed/glued. When assembling the top of the unit you may want to ensure that this join is at the back of the unit (towards the wall - rather than the front). This may just be slightly more pleasing to the eye.

STEP 1

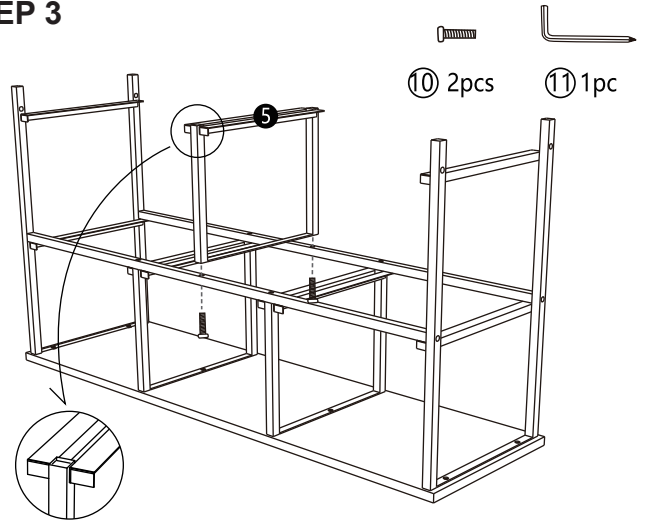
⑨ 6pcs ⑪ 1pc

STEP BY STEP ASSEMBLY

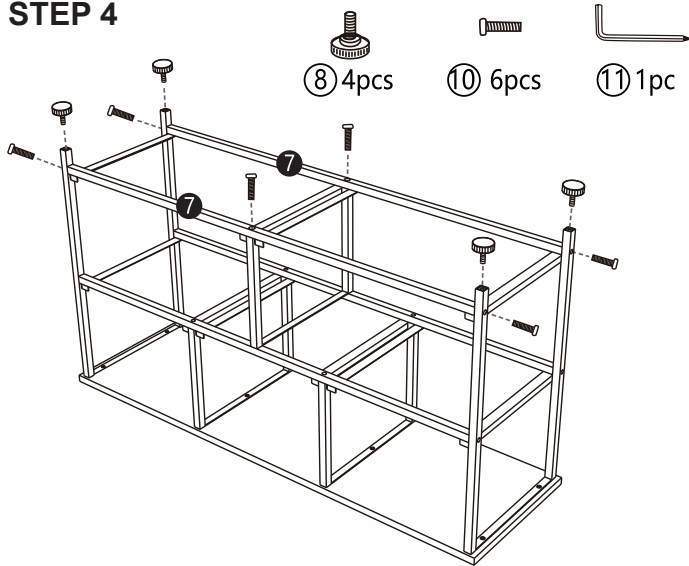
STEP 2



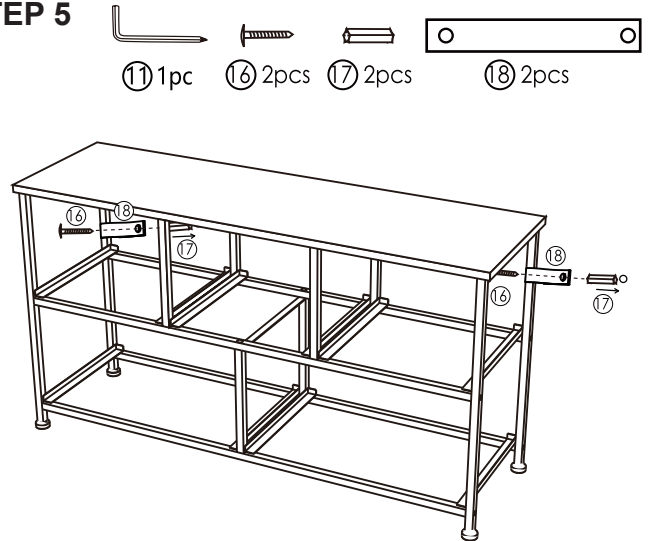
STEP 3



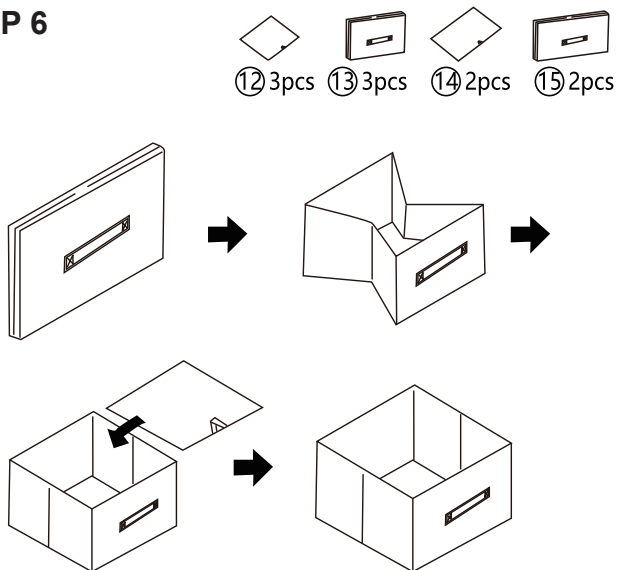
STEP 4



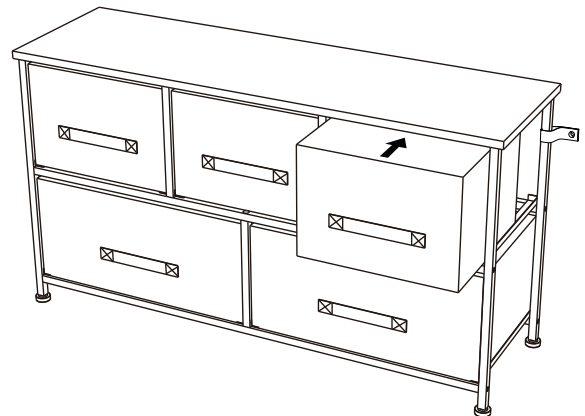
STEP 5



STEP 6



STEP 7 – FINISH



CARE AND MAINTENANCE INSTRUCTIONS

- Wipe furniture with a soft dry cloth, do not use paper as this may be abrasive to the finish.
- The unit should be cleaned with a damp cloth and dried with a dry cloth.
- DO NOT use bleach or chemical solutions to clean the product.
- DO NOT expose to sunlight or other heat sources for a prolonged period.
- DO NOT store or leave outside.
- Periodically check the tightening of legs and screws.

SAFETY TESTED

The product conforms to:
FIRA FRQG C001:2021 / FIRA FRQG C004:2016+A1:2017

WARNINGS

1. **WARNING:** Serious or fatal crush injuries can occur from furniture tip over. ALWAYS secure this unit to wall with wall fixings supplied.
2. **WARNING:** DO NOT use this product if any part is broken, torn or missing. Please contact your supplier and spare parts can be supplied – please use only parts approved by the manufacturer.
3. Please keep children away from the work area during assembly of this product – due to risk of injury.
4. Please keep children away from the work area during assembly of this product – due to small parts.
5. Once assembled, this product is NOT designed to be dismantled, transported and reassembled.
6. Dispose of all packaging carefully and responsibly.
7. We advise you to keep these instructions in a safe place in case required for future use.
8. Assembly to be carried out by a competent adult only.
9. Do not use this item if any components are missing or damaged.
10. This product is suitable for children in the age range 3-12 year old.
11. The maximum loading weight of the product is 75 KG.
12. Regular check all fastenings to ensure that they are properly tightened.

