

**Series 4, Fully-integrated dishwasher,
60 cm
SMV4HTX00G**



Optional accessories

SGZ0BI02 : decorative strips stainless steel 81,5cm
 SGZ1010 : inlet and outlet hose extension
 SGZ8BI00 : Connection rail for divided furniture
 SMZ2014 :
 SMZ2056 :
 SMZ5000 : Dishwashing aid set
 SMZ5002 : Silver polishing cassette
 SMZ5003 : Retractable hinge f. high corpus dimens.
 SMZ5300 : GlassSecure Tray

**Flexible loading and smart remote control
of your dishwasher via the Home Connect
app.**

- **ExtraDry:** extra drying option for difficult-to-dry loads.
- **InfoLight:** a red light on the floor indicates whether the dishwasher is switched on or off.
- **Vario Flex baskets:** easily adjustable to create more space for your dishes.
- **Rackmatic:** even more adjustment options and thus maximum flexibility.
- **Home Connect:** home appliances with smart connectivity for an easier everyday life.

Technical Data

Energy Efficiency Class: D
 Energy Consumption for 100 cycles Eco Programme: 84 kWh
 Maximum number of place settings: 13
 The water consumption of the eco programme in liters per cycle: 9.0 l
 Programme duration: 4:30 h
 Airborne acoustical noise emissions : 46 dB(A) re 1 pW
 Airborne acoustical noise emission class: C
 Cleaning performance: A
 Water consumption: 9.0 l
 Total annual water consumption 220 days: 1980 l
 Built-in / Free-standing: Built-in
 Removable top: No
 Door panel options: Not possible
 Height of removable worktop: 0 mm
 Height of the appliance: 815 mm
 Adjustable feet: Yes - all from front
 Maximum adjustability feet: 60 mm
 Adjustable plinth: Both horizontal and vertical
 Net weight: 33.0 kg
 Gross weight: 35.1 kg
 Connection Rating: 2400 W
 Fuse protection: 10 A
 Voltage: 220-240 V
 Frequency: 50; 60 Hz
 Length electrical supply cord: 175.0 cm
 Plug type: GB plug
 Length inlet hose: 165 cm
 Length outlet hose: 190 cm
 Hidden heating element: Yes
 Water protection system description: Triple water protection 24h
 Child safety devices: No
 Water softener: Yes
 Top basket type: mid
 Adjustable upper basket: Rackmatic 3-stage
 Bottom basket type: mid
 3rd Rack: None
 Optional accessories: SMZ5300, SGZ0BI02, SGZ1010, SGZ8BI00, SMZ2014, SMZ2056, SMZ5000, SMZ5002, SMZ5003
 Included accessories 2: Vapor barrier plate
 Number of place settings: 13
 Dimensions of the product (HxWxD): 815 x 598 x 550 mm
 Dimensions of the packed product (HxWxD): 866 x 650 x 680 mm



Series 4, Fully-integrated dishwasher, 60 cm SMV4HTX00G

Flexible loading and smart remote control of your dishwasher via the Home Connect app.

Performance

- Energy Efficiency Class¹: D
- Energy² / Water³: 84 kWh / 9 litres
- Capacity: 13 place settings
- Programme duration⁴: 4:30 (h:min)
- Noise level: 46 dB(A) re 1 pW
- Noise Efficiency Class: C

Programmes / functions

- 6 programmes: Eco 50 °C, Auto 45-65 °C, Intensive 70 °C, Express 65°, Glass 40 °C, Favourite
- Default favourite programme: Pre-Rinse
- 4 special options: Remote Start, Extra Dry, Half Load, SpeedPerfect+
- Add-On functions via Home Connect app: Hygiene+, Silence on Demand
- Machine Care

Flexible design elements

- Vario Flex baskets
- 3 stage Rackmatic height-adjustable top basket
- Low friction wheels on bottom basket
- Rack Stopper to prevent derailing of bottom basket
- 2 foldable plate racks in top basket
- 4 foldable plate racks in bottom basket
- Knife rack in top basket
- Moveable cutlery basket in lower rack
- Upper rack cup shelf

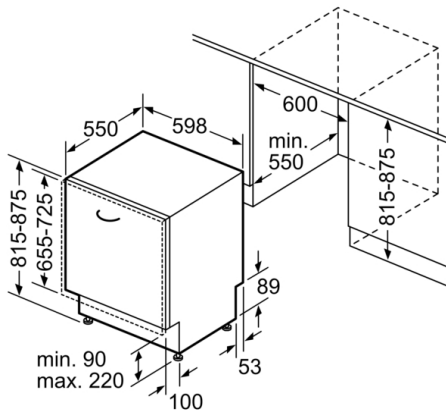
Innovations and technology

- Home Connect ready on WLAN
- Heat exchanger - Hygienic and efficient drying
- DosageAssist detergent dispenser
- EcoSilence BLDC drive
- Automatic detergent detection
- AquaSensor III
- AquaMix - Glass protection system

Design features

- Push button top edge controls
 - InfoLight (Red) - Light projection on the floor
 - Time delay (3, 6 or 24 hours)
 - Acoustic end of cycle indicator
 - AquaStop: Bosch's warranty in case of water damage - for the lifetime of the appliance. Please find warranty terms under <https://www.bosch-home.co.uk/customer-service/care-protection-and-parts/additional-warranties>
 - Self-cleaning filter system with 3 piece corrugated filter
 - steam protection plate
 - Stainless steel/Polinox interior
 - Dimensions (HxWxD): 81.5 x 59.8 x 55cm
- ¹ Scale of Energy Efficiency Classes from A to G
² Energy consumption in kWh per 100 cycles (in programme Eco 50 °C)
³ Water consumption in litres per cycle (in programme Eco 50 °C)
⁴ Duration of programme Eco 50 °C

Series 4, Fully-integrated dishwasher, 60 cm SMV4HTX00G



measurements in mm

