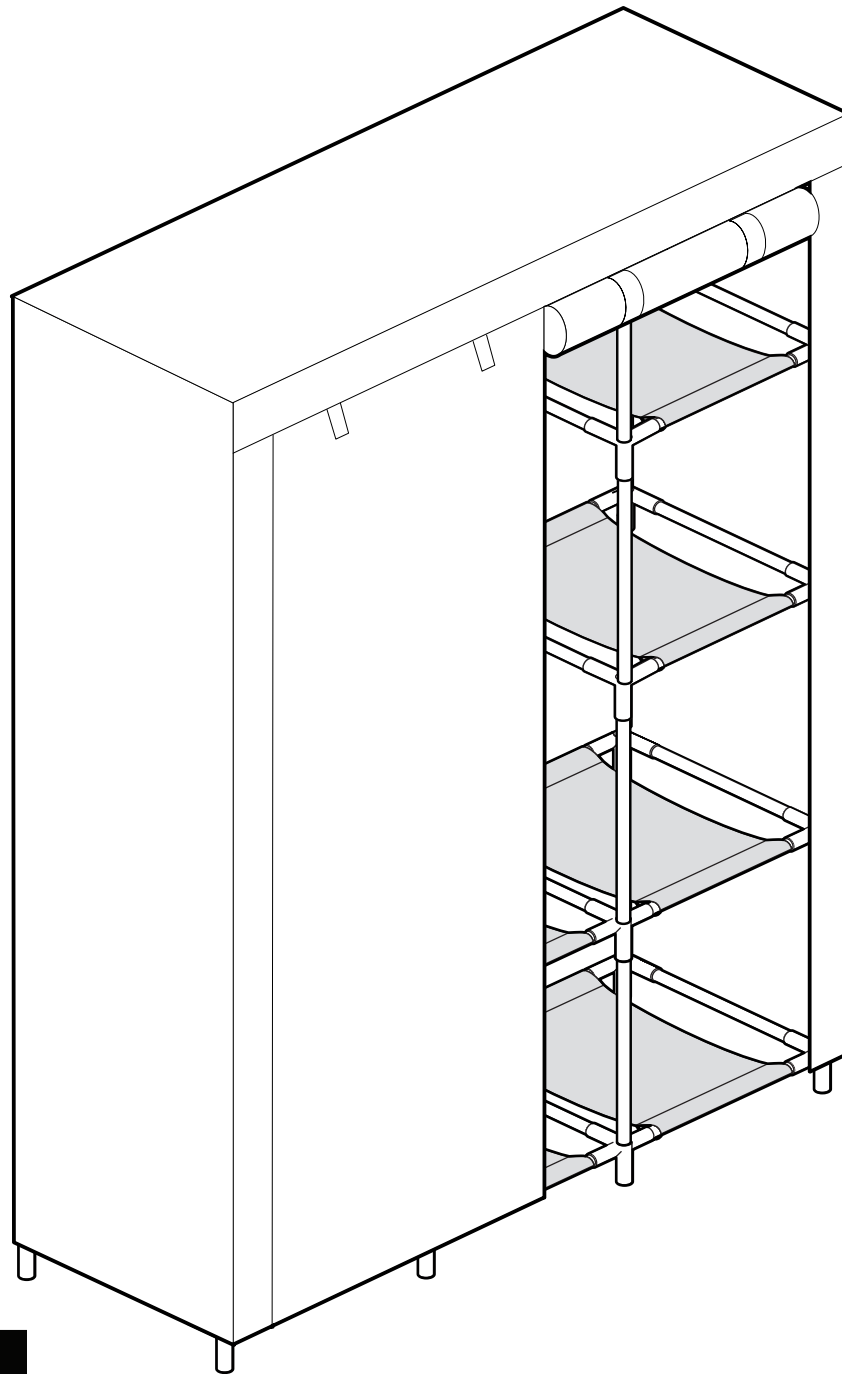


# Double Modular Metal Frame Wardrobe

Assembly Instructions - Please keep for future reference

9049646



## Dimensions

Width - 132cm

Depth - 46cm

Height - 169cm

**Important – Please read these instructions fully before starting assembly**

If you need help or have damaged or missing parts, call the **Customer Helpline: 0845 640 0800**



## Safety and Care Advice

**Important – Please read these instructions fully before starting assembly**

- Check you have all the components and tools listed on pages 1 and 2.
- Remove all fittings from the plastic bags and separate them into their groups.
- Keep children and animals away from the work area, small parts could choke if swallowed.
- Make sure you have enough space to lay out the parts before starting.
- Do not stand or put weight on the product as this could cause damage.
- Assemble the item as close to its final position (in the same room) as possible.
- Assemble on a soft level surface to avoid damaging the unit or your floor.
- Parts of the assembly will be easier with 2 people.
- Dispose of all packaging carefully and responsibly.

### Care and maintenance

- Only clean using a damp cloth and mild detergent, do not use bleach or abrasive cleaners.
- From time to time check that there are no loose screws on this unit.
- This product should not be discarded with household waste. Take to your local authority waste disposal centre.

# Components - Panels

If you have damaged or missing components, call the **Customer Helpline: 0845 640 0800**

Please check you have all the panels listed below



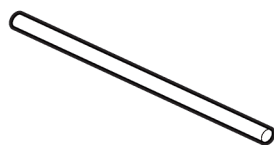
1 Corner joint x 28



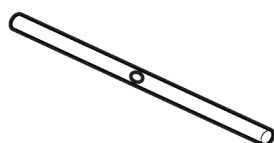
2 Middle joint x 16



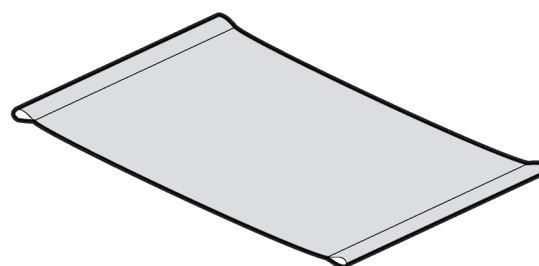
3 Straight joint x 4



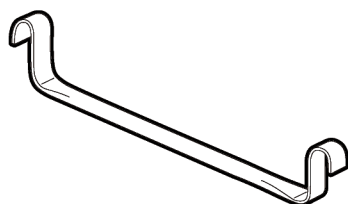
4 Metal tube x 76



5 Metal tube x 2

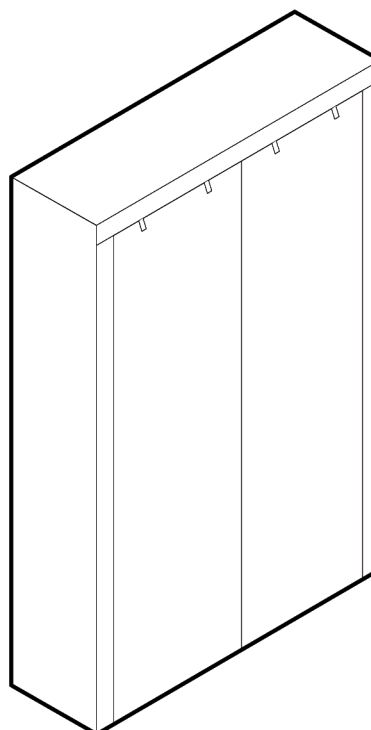


6 Fabric shelf x 10



7 Clothes rail x 2

8 Wardrobe cover x 1



9 Wall plug x 2

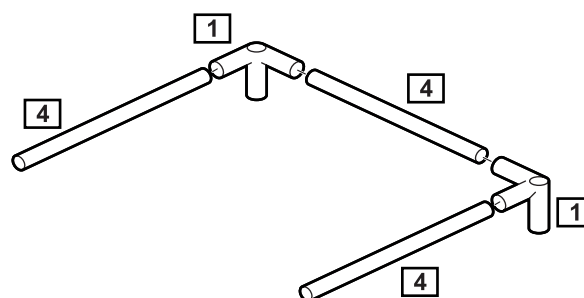


10 Wall screw x 2

# Assembly Instructions

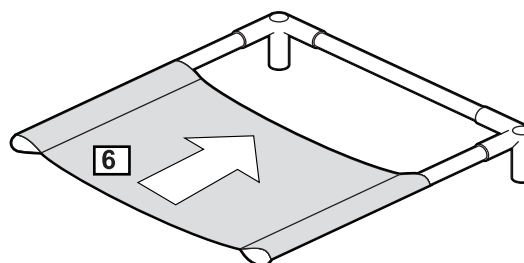
## Step 1

Push in 3x **4** Metal tubes into 2x **1** Corner joints as shown.



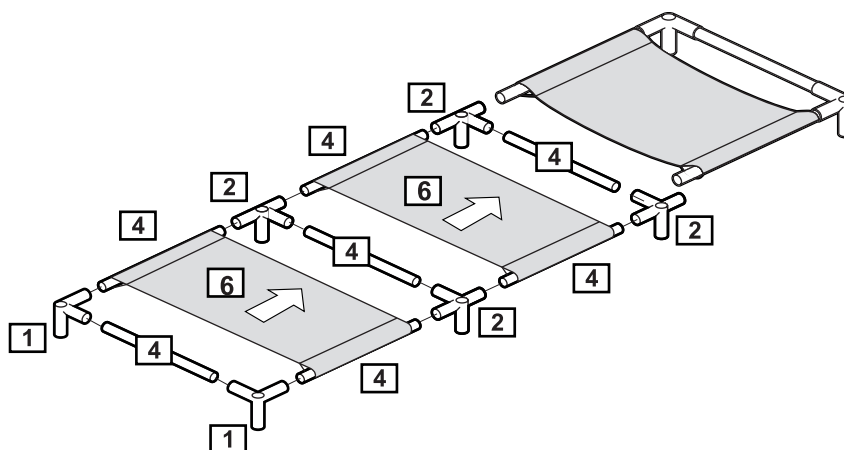
## Step 2

Slide on 1x **6** Fabric shelf as shown.



## Step 3

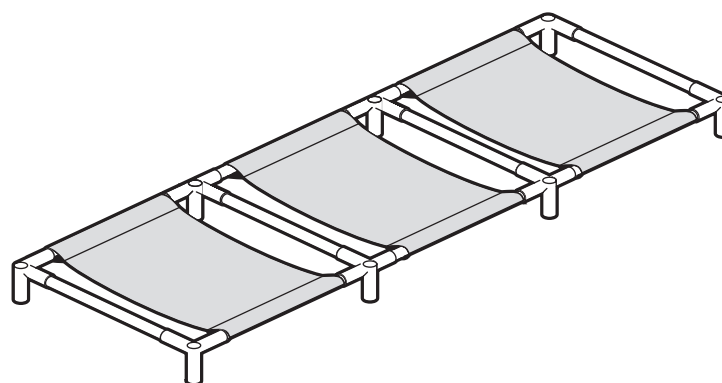
Using 2x **1** Corner joints, 4x **2** Middle joints and 7x **4** Metal tubes pushed through 2x **6** Fabric shelves add on to the shelf section already constructed in **Step 1 & 2**



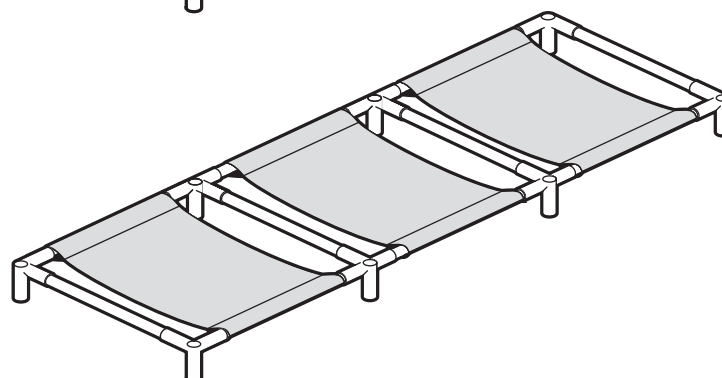
## Step 4

Repeat **Steps 1-3** so you have 2 complete identical shelf sections as shown.

section 1



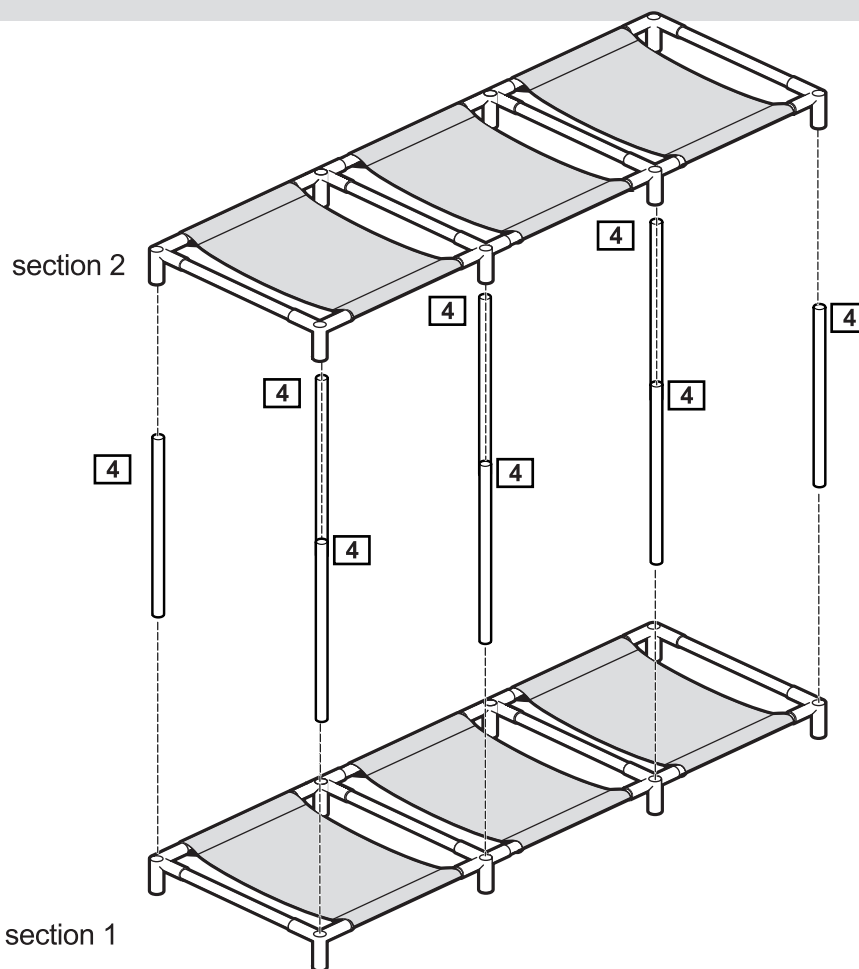
section 2



# Assembly Instructions

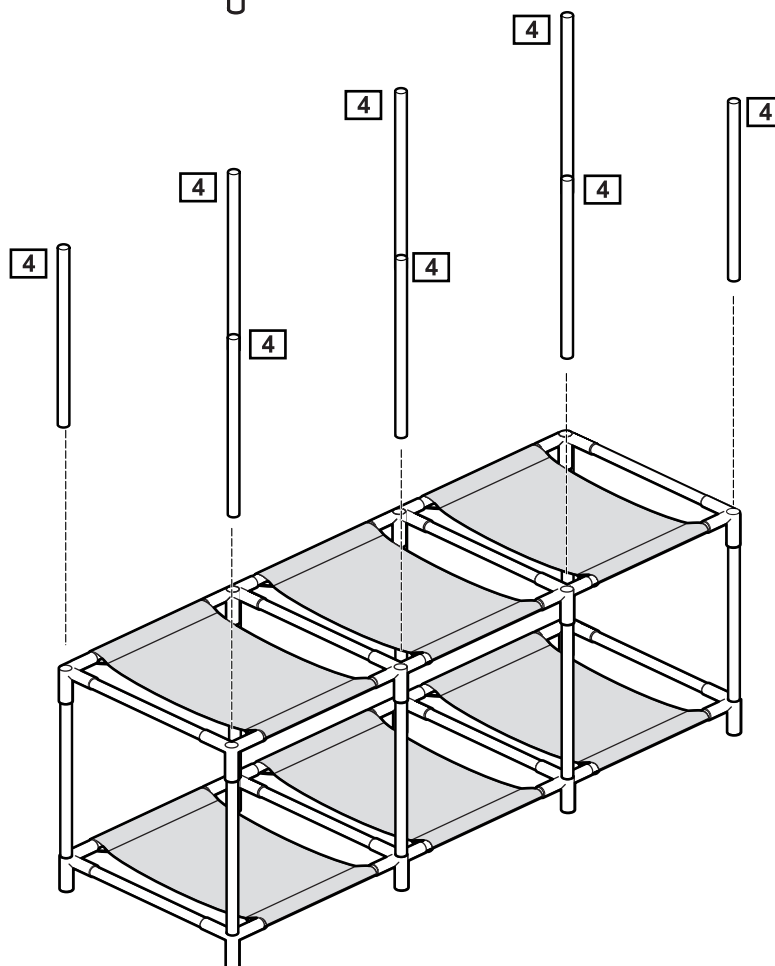
## Step 5

Taking the two sections already completed connect using 8 x **4** Metal tubes.



## Step 6

Push in 8 x **4** Metal tubes into the assembly as shown.



# Assembly Instructions

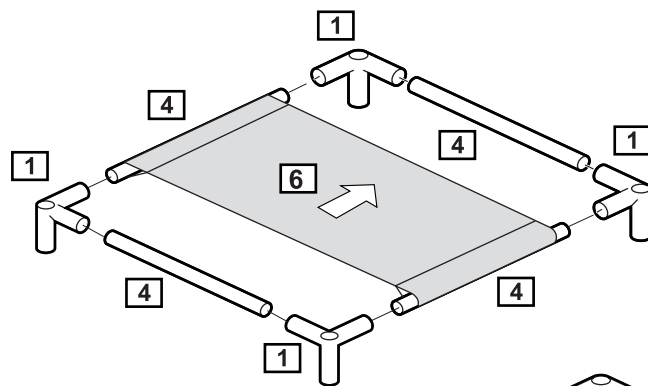
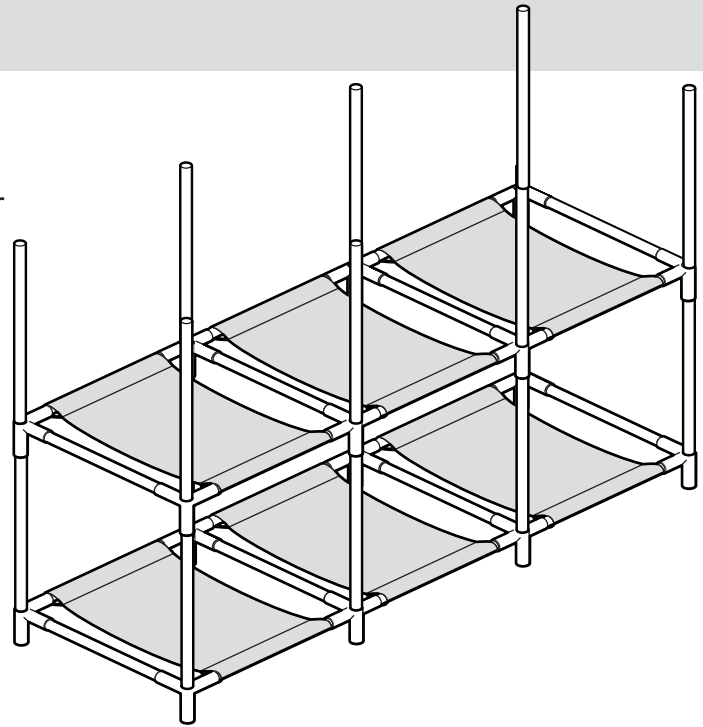
## Step 7

Leave the built assembly to one side.

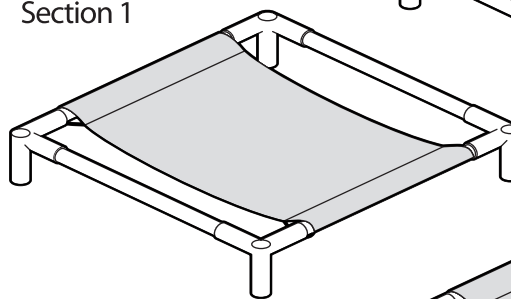
Using 4x **1** Corner joints  
4x **4** Metal tubes pushed  
through 1x **6** Fabric shelf,  
push all components together  
as shown.

Repeat **Step 7** until  
you have a total of 4  
shelf sections.

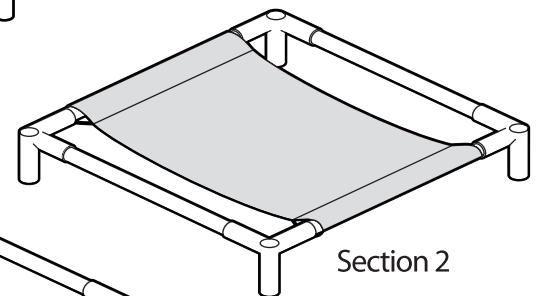
Assembly so far



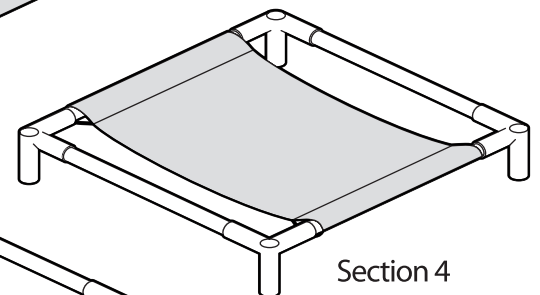
Section 1



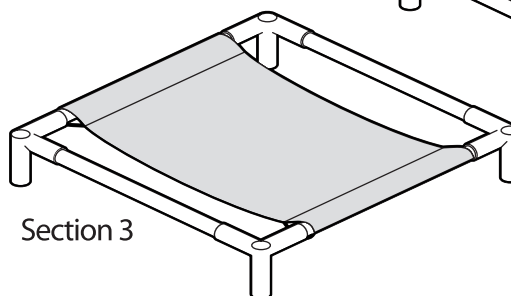
Section 2



Section 4



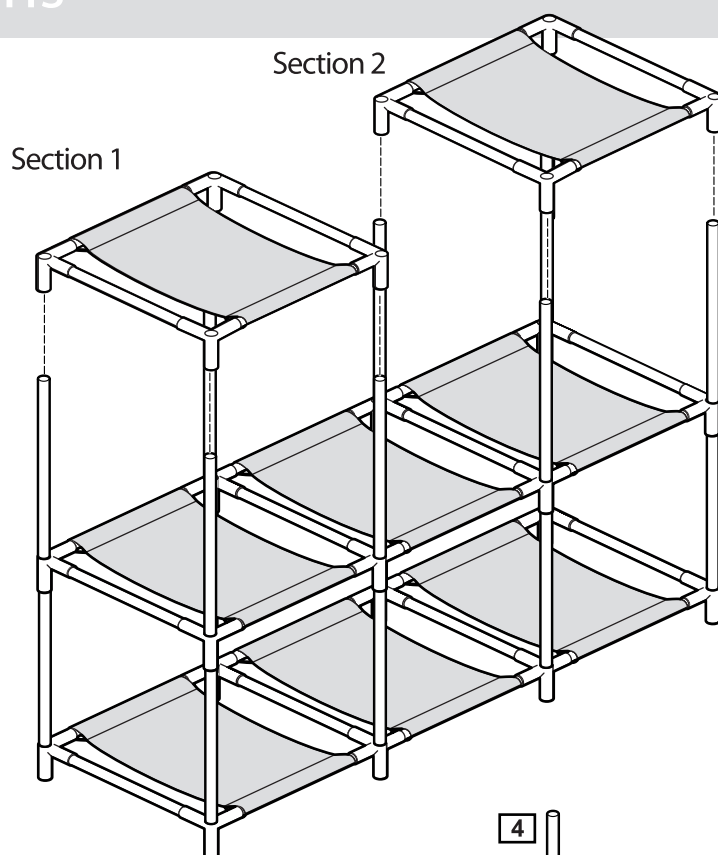
Section 3



# Assembly Instructions

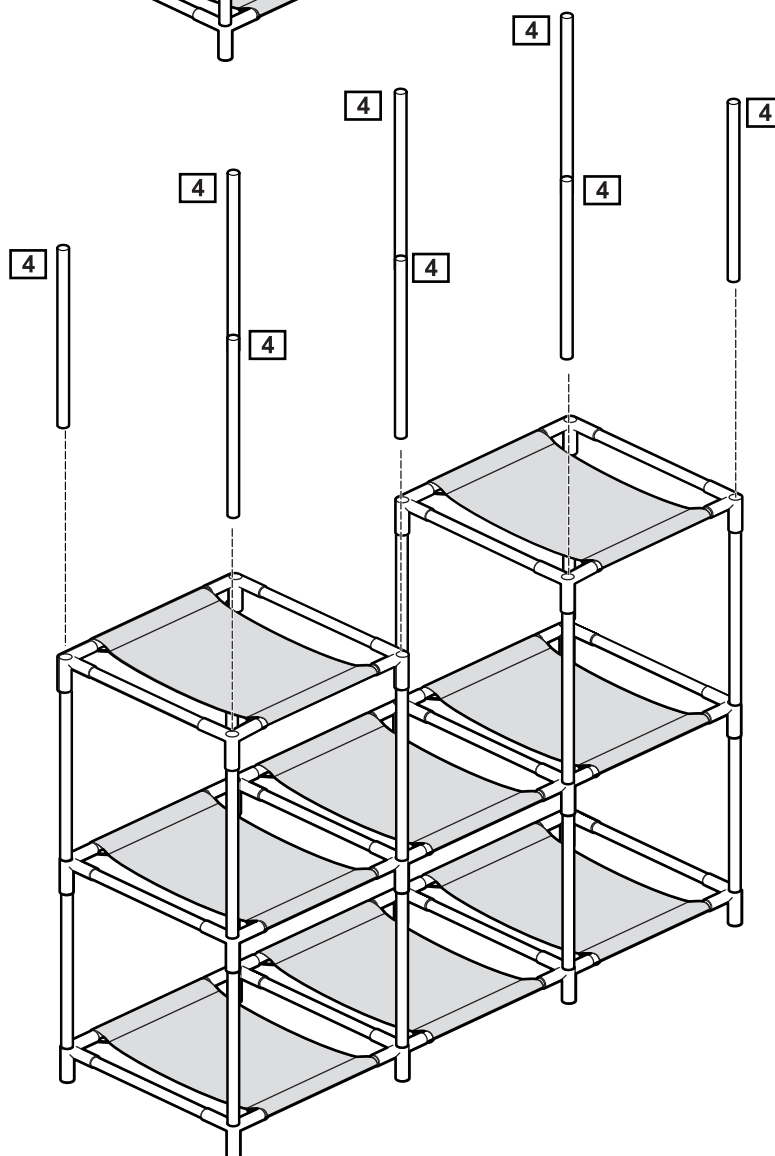
## Step 8

Push two of the shelf sections onto the assembly already built as shown.



## Step 9

Push in 8x **4** Metal tubes into position as shown

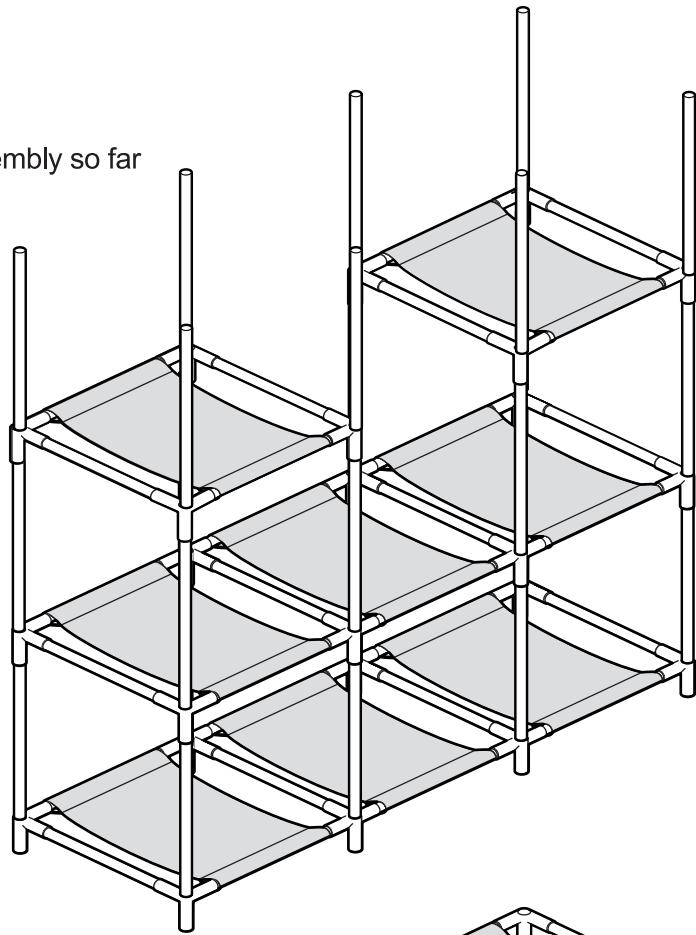


# Assembly Instructions

## Step 10

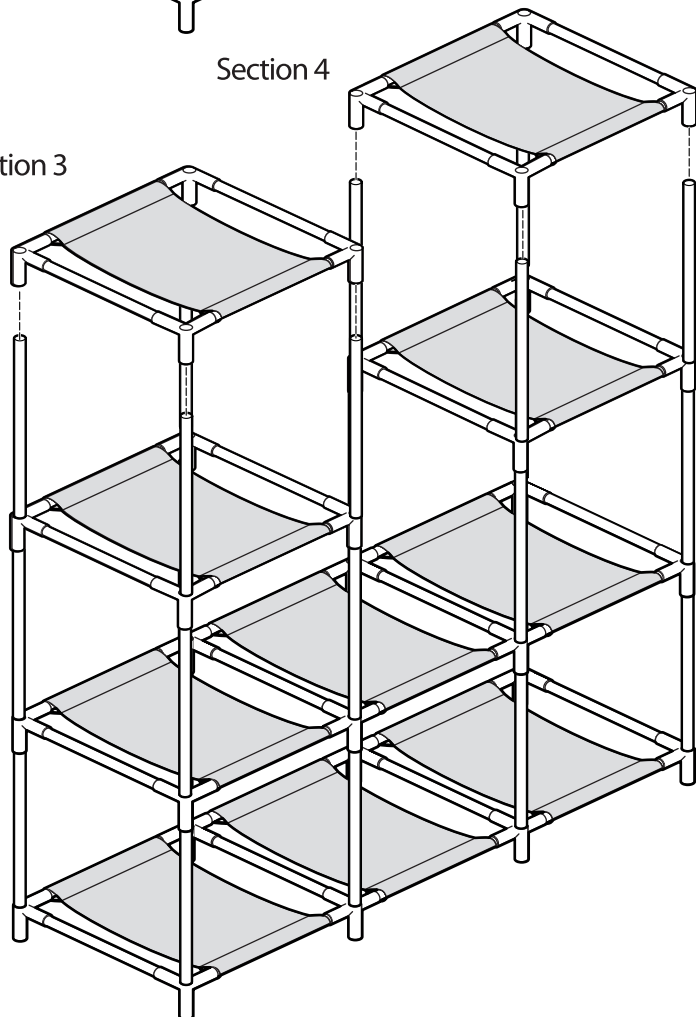
Push the last two of the shelf sections onto the assembly already built as shown.

Assembly so far



Section 4

Section 3





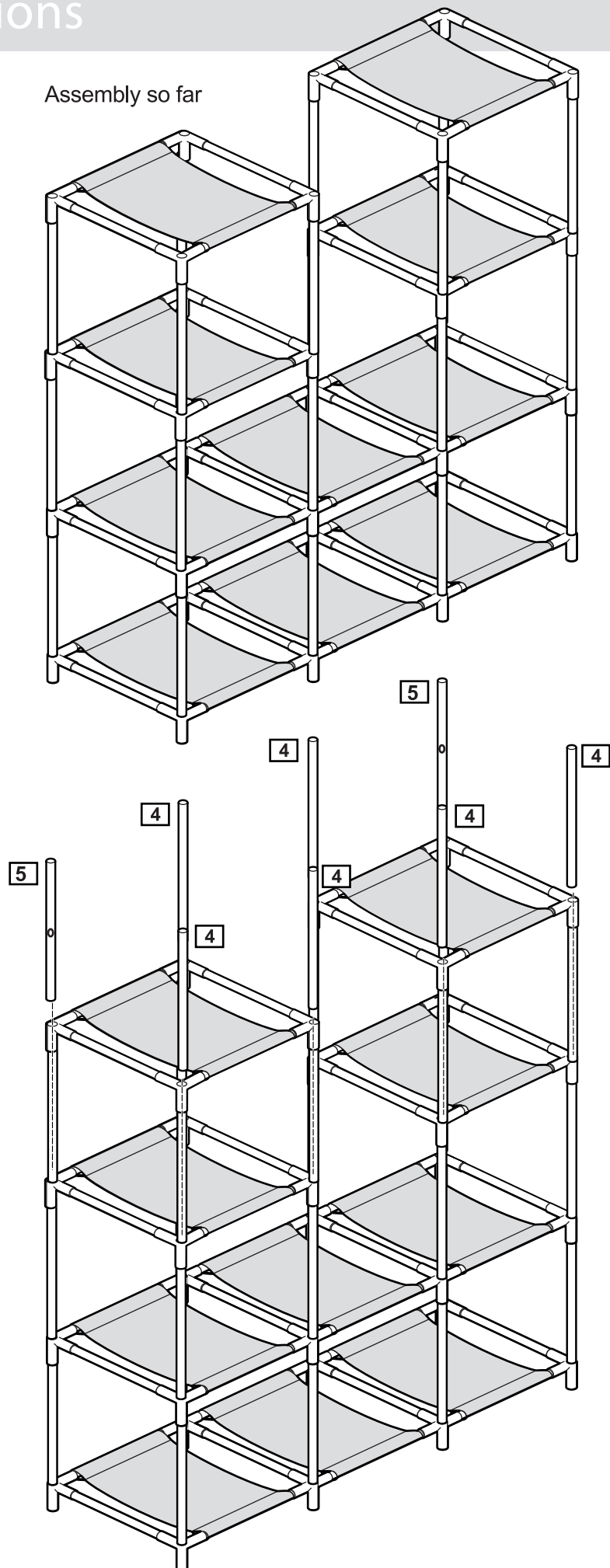
# Assembly Instructions

## Step 11

Push in 6 x **4** Metal tubes into the assembly as shown.

Push in 2 x **5** metal tubes with holes in the middle into the rear left and right corner joint. These will be used to mount to the wall.

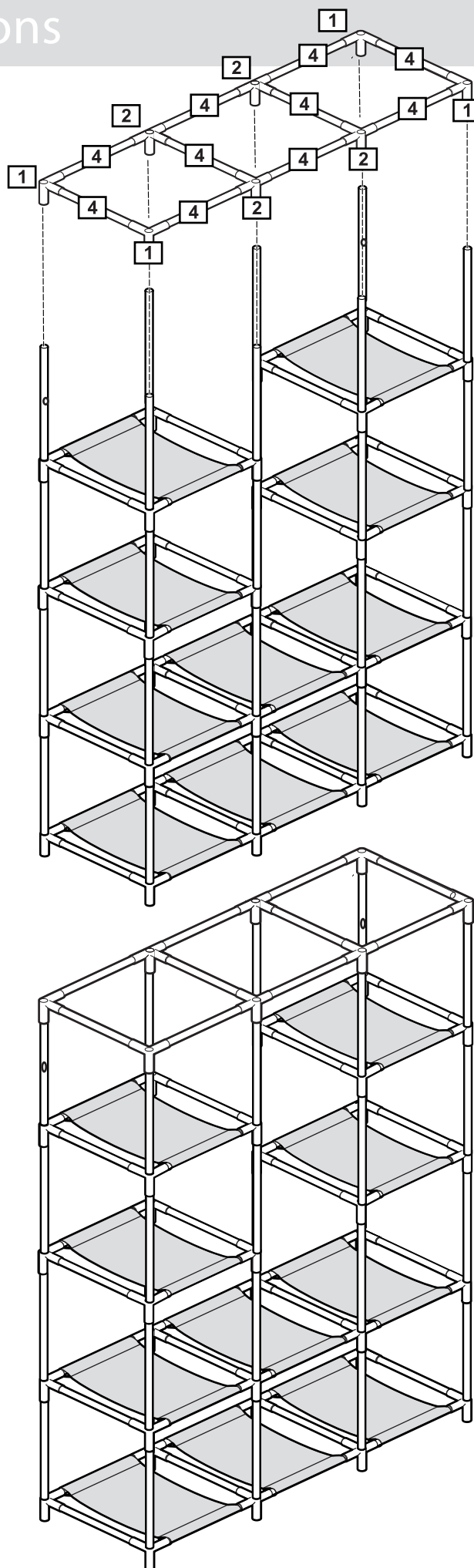
Assembly so far



# Assembly Instructions

## Step 12

Using 4x **1** Corner joints  
4x **2** Middle joints  
10x **4** Metal tubes  
push all components together  
and add to top of assembly  
as shown.

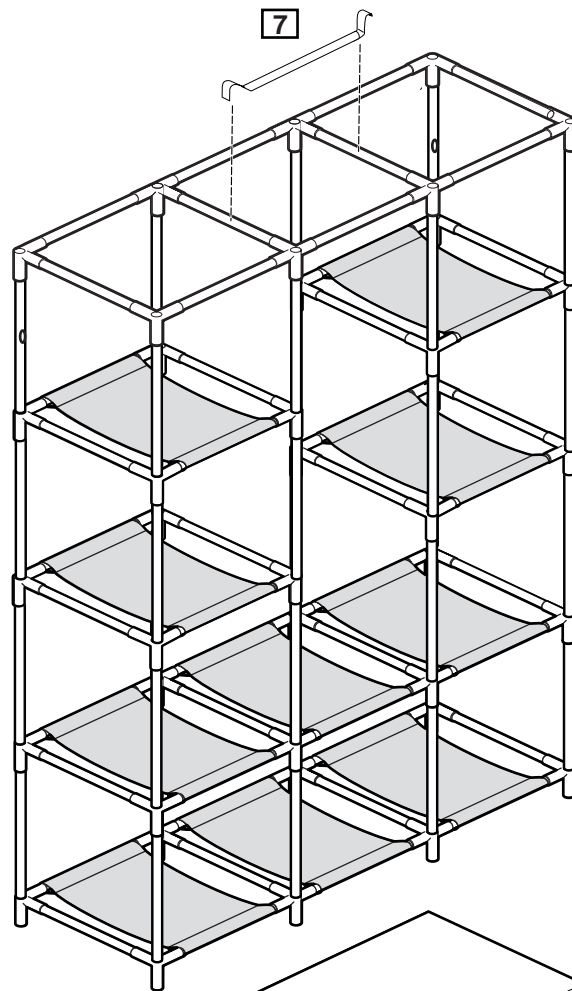


# Assembly Instructions

## Step 13

Using 1x **7** Clothes rail position as shown

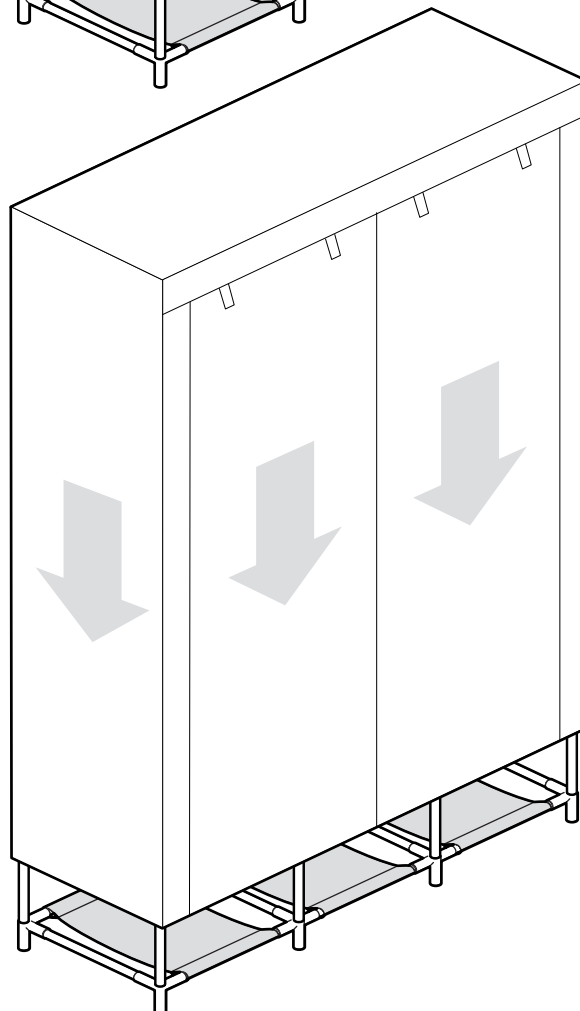
**Note:** This assembly is adjustable using the components supplied and can be erected in different ways to meet storage needs.



## Step 14

Using 1x **8** Wardrobe cover, drape the cover over the assembly and pull it downwards as shown.

**Note:** Take care not to tear the fabric when covering the frame.



# Assembly Instructions

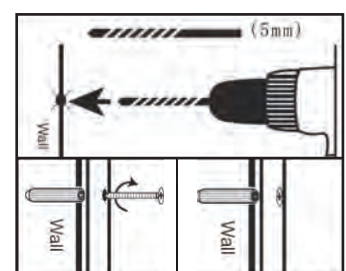
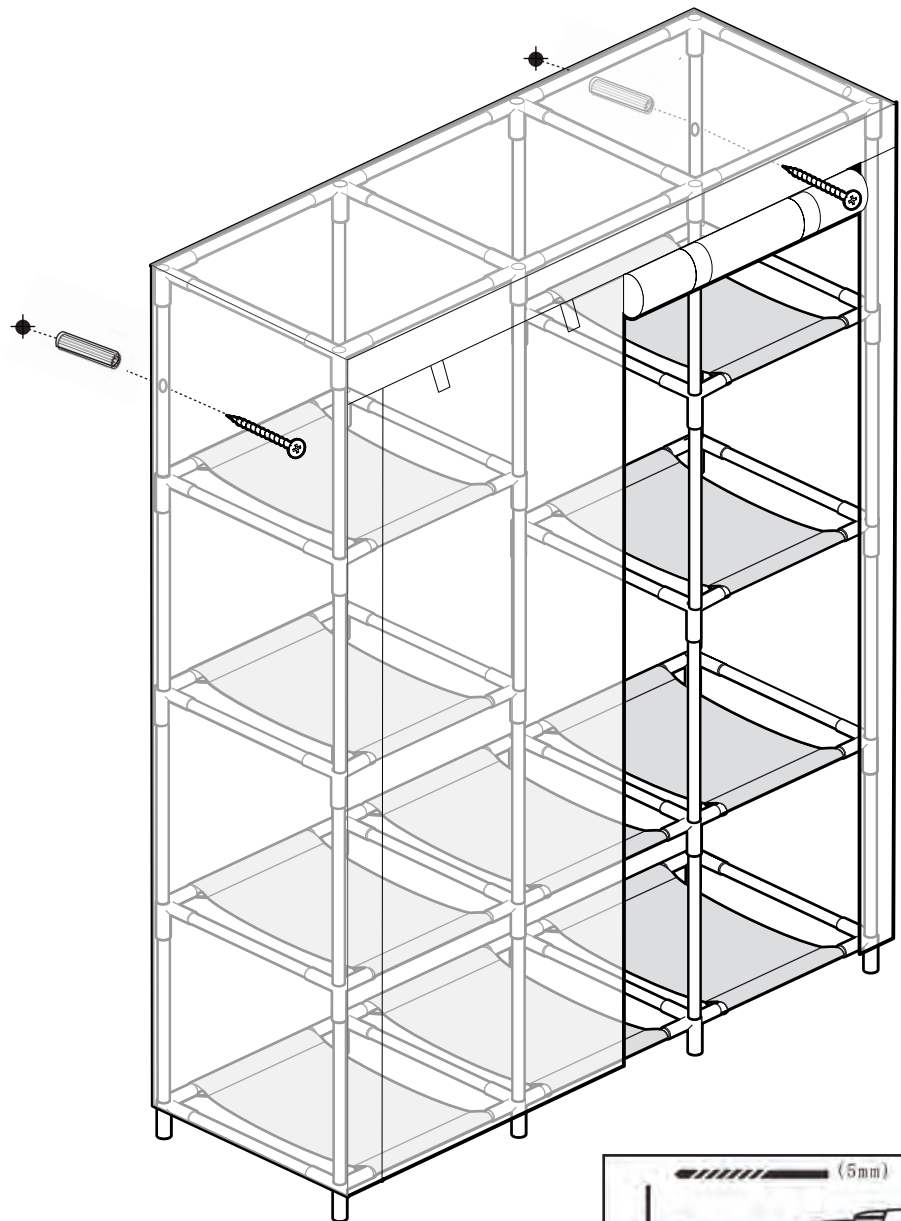
## Step 15

To secure the unit.  
Drill 2 x holes into the wall that you wish the unit to stand against.  
The holes must line up with the holes in metal tubes **5**. 2 x Wall screw **10** will locate into these holes.

Once the holes have been drilled push 2 x wall plug **9** into the holes you have created.

Locate wall screws through holes in 2 x metal tubes **5**, through 2 x holes in the wardrobe cover and into the wall plugs in the wall as shown.

Tighten with a Phillips head screwdriver



Assembly complete