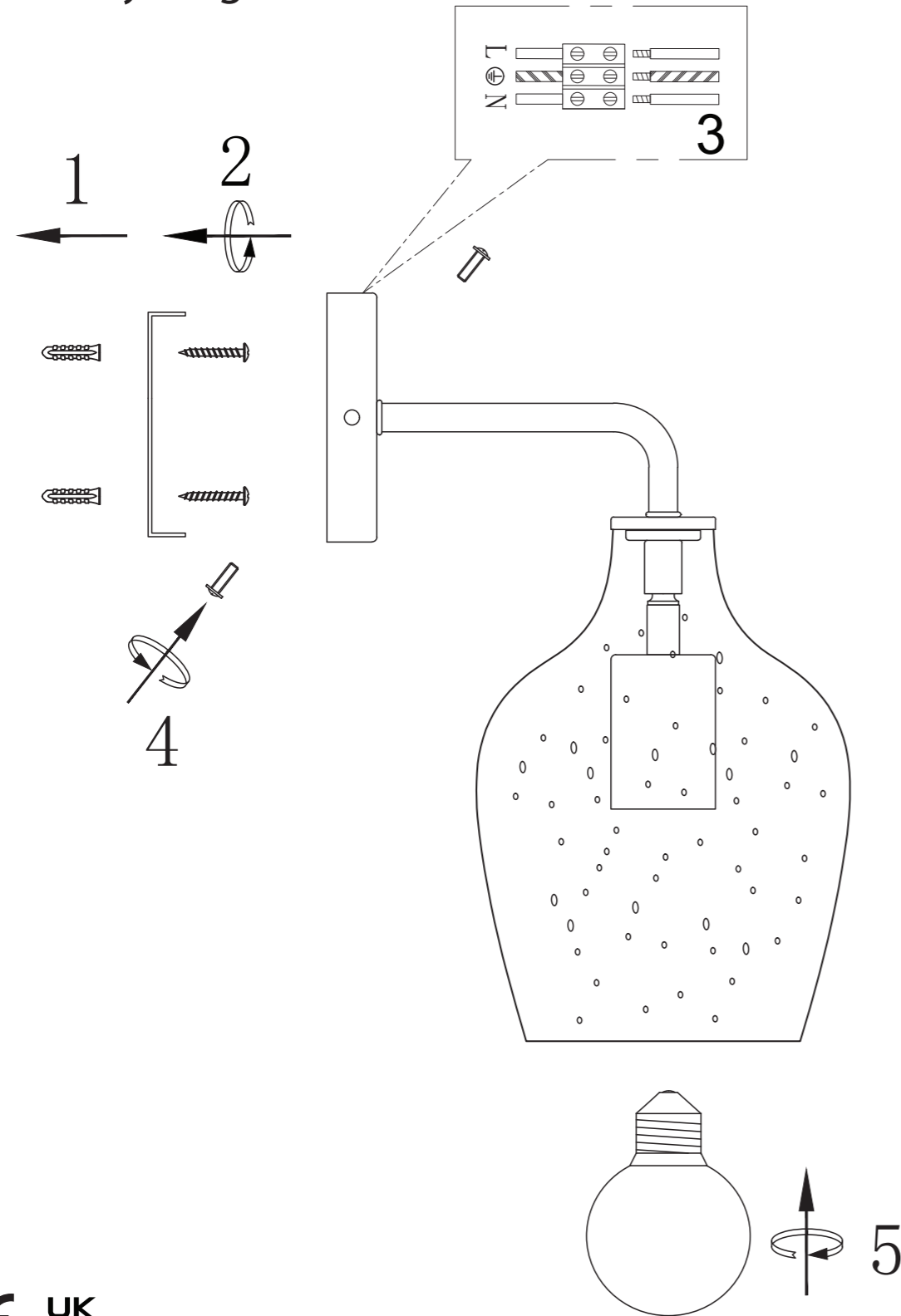


Assembly diagram



Recycling electrical products

You should now recycle your waste electrical goods and in doing so help the environment. This symbol means an electrical product should not be disposed of with normal household waste. Please ensure it is taken to a suitable facility for disposal.

Visit www.recycle-more.co.uk, click on "bank locator" and enter your postcode to find your nearest recycling site.



5021448 4460536

habitat 

INSTRUCTIONS FOR USE

Thank you for selecting this product. It has been thoughtfully designed and carefully manufactured to ensure a high level of reliability and performance.

We strongly recommend that ceiling/wall fittings are installed by a qualified electrician. If, however, you decide to carry out your own installation, please read through these instructions carefully before commencing work, and retain them for future reference.

Please note, the important safeguards and instructions appearing in this leaflet are not meant to cover all possible conditions and situations that may occur. It must be understood that common sense, caution and care are factors which cannot be built into any product and must be supplied by the person installing and caring for the fitting.

Changes to Building Regulations

As of 1 January 2005, changes to the Building Regulations affect domestic electrical installations in England and Wales. You don't need to be a qualified electrician to make changes to your home's electrical system, but the work must be done in accordance with the standards in the Regulations.

You do not need to notify your Local Authority if you do minor electrical work, such as:-

- replacing or repairing a socket, light or cable in any room.
- adding extra spurs, sockets or lights to an existing circuit (except in a kitchen, bathroom or outdoors).

However, the work must be done to the standards in the Wiring Regulations and you should consider having the work checked by a competent electrician to make sure it is safe.

Before you start other electrical work such as:-

- adding new circuits to your existing installation.
- any work (other than repairs / replacements) in a room where there is water (eg. kitchen, bathroom, etc.)
- any work (other than repairs / replacements) outdoors (eg. installing garden lighting or sockets, etc.)

you must notify your Local Authority Building Control Department, which has responsibility for ensuring the work is inspected and tested.

Where you have any work done by an electrician who is a member of a competent person self-certification scheme, the electrician will be able to certify the work complies with the Regulations and you do not need to notify your Local Authority.

We recommend that you make yourself aware of the Regulations before you undertake any work and if you require any clarification you should contact your Local Authority Building Control Department.

We care about our quality and what you think, If you have any comments, good and bad, Please call our Careline Argos: 0345 6400800 or visit www.argos.co.uk. Your statutory rights are not affected.

Made in China for Habitat, Argos Limited and Sainsbury's Supermarkets Ltd, London, EC1N 2HT, UK. Argos (N.I.) Ltd and Sainsbury's (NI) Ltd, Forestside Shopping Centre, Upper Galwally, Belfast, BT8 6FX, UK.

Important Safety Information

All ceiling/wall fittings should be connected via a 5 amp fused circuit and must be installed in accordance with current applicable building and electrical installation regulations. Before installation and servicing, disconnect the electrical supply at the mains. Carefully observe all instructions or warnings that are labelled on, or supplied with, your product.

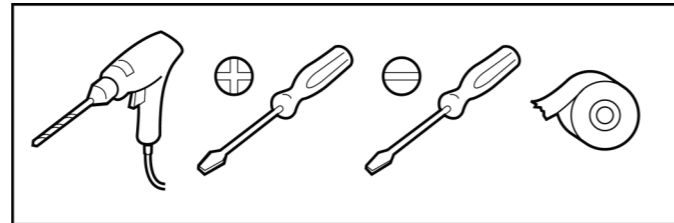
Unless otherwise stated, products are suitable for normal indoor use only and should not be used where water or high humidity may affect them. If in any doubt, consult a qualified electrician.

General Information

Do not mount ceiling/wall fittings onto damp surfaces such as newly painted or plastered areas as this may cause discolouration of the finish.

Tools which may be required:

- Drill
- Cross Head Screwdriver
- Small Electrical Slotted Screwdriver
- Insulation Tape



Assembling and positioning the fitting

Please see the assembly diagram on the rear of this booklet for assembly/dressing instructions.

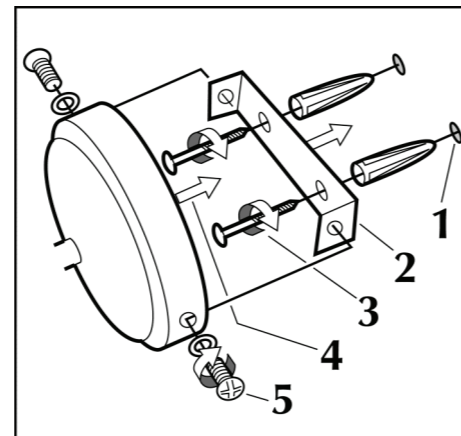
All ceiling fittings and wall lights must be connected to the supply earth.

If your lighting circuit does not have an earth, ask a qualified electrician to provide an earth facility.

Identify the location and direction of any hidden supply cables or service pipes before drilling fixing holes.

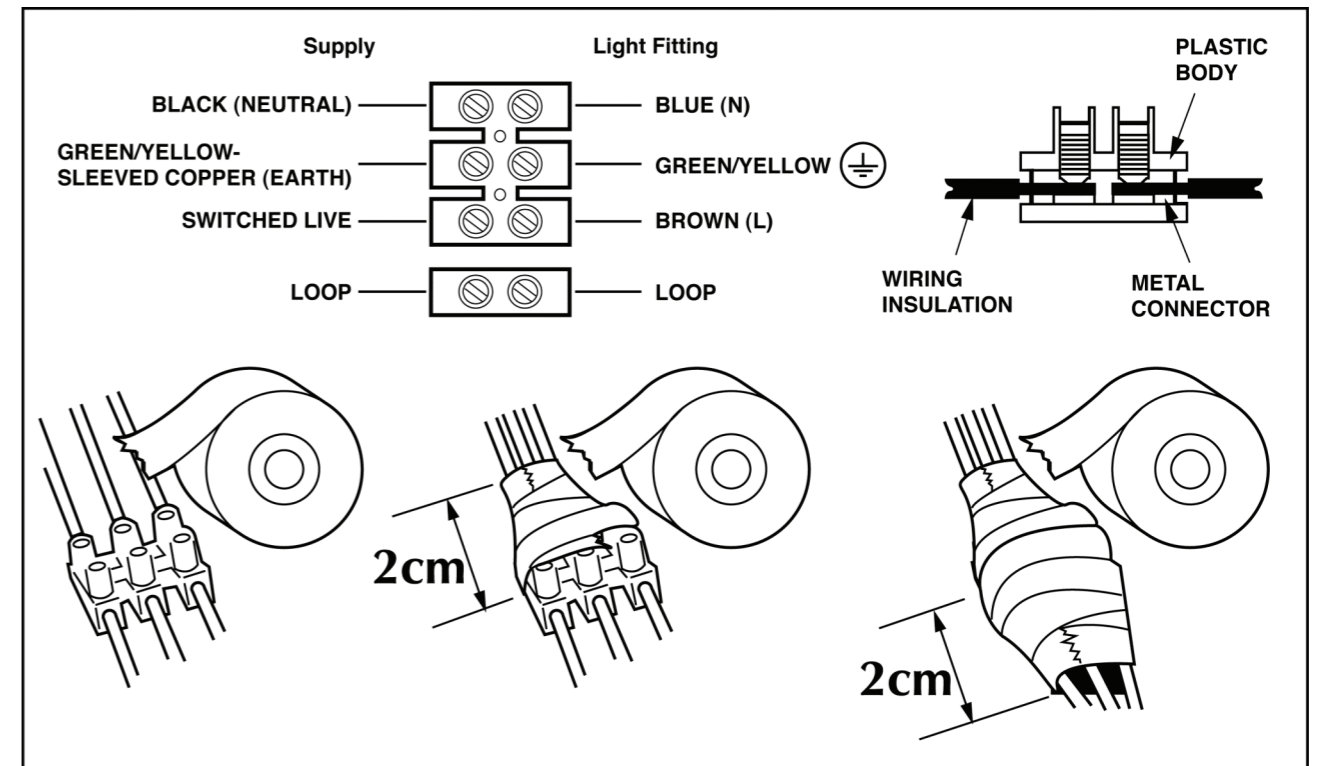
Wall Light with strap/backplate...

1. Using the backstrap as a guide, mark the positions of fixing holes onto the wall surface adjacent to the supply wiring. Drill holes at the positions marked and fit the plastic wall plugs supplied.
- 2-3. Secure the backstrap to the wall using the screws (3). Using the connector block supplied, connect the wires as shown on the diagram opposite. Check that you have correctly identified the house wires, that all connections are tight and that no loose strands have been left out of the connection blocks.
- 4-5. Offer the wall light to the back strap and secure in place using the screws/washers.



Wiring ceiling fittings

For Earthed items (Class 1): These are marked with the symbol



Wattage requirements

This ceiling light requires 1 x 10W Max E27 LED only mini globe bulb.

Caution: only use a bulb of the same type designation and shape, and of the same or lower Wattage.

Allow the lamp to cool for at least 10 minutes before replacing spent bulbs.

Switch on!

You may now switch the electricity back on at the mains.

⚠ Safety and Care Advice

Cleaning Care

Brass and lacquered finishes should be cleaned with a soft, dry cloth only. Do not use polishes or abrasive cloths. Glass shades with textured finishes, and fabric shades, should be given a light dusting only. Do not immerse in water or cleaning solutions.

Safety information

For your safety, please remember to ALWAYS switch off the electricity supply before changing light bulbs or cleaning.