

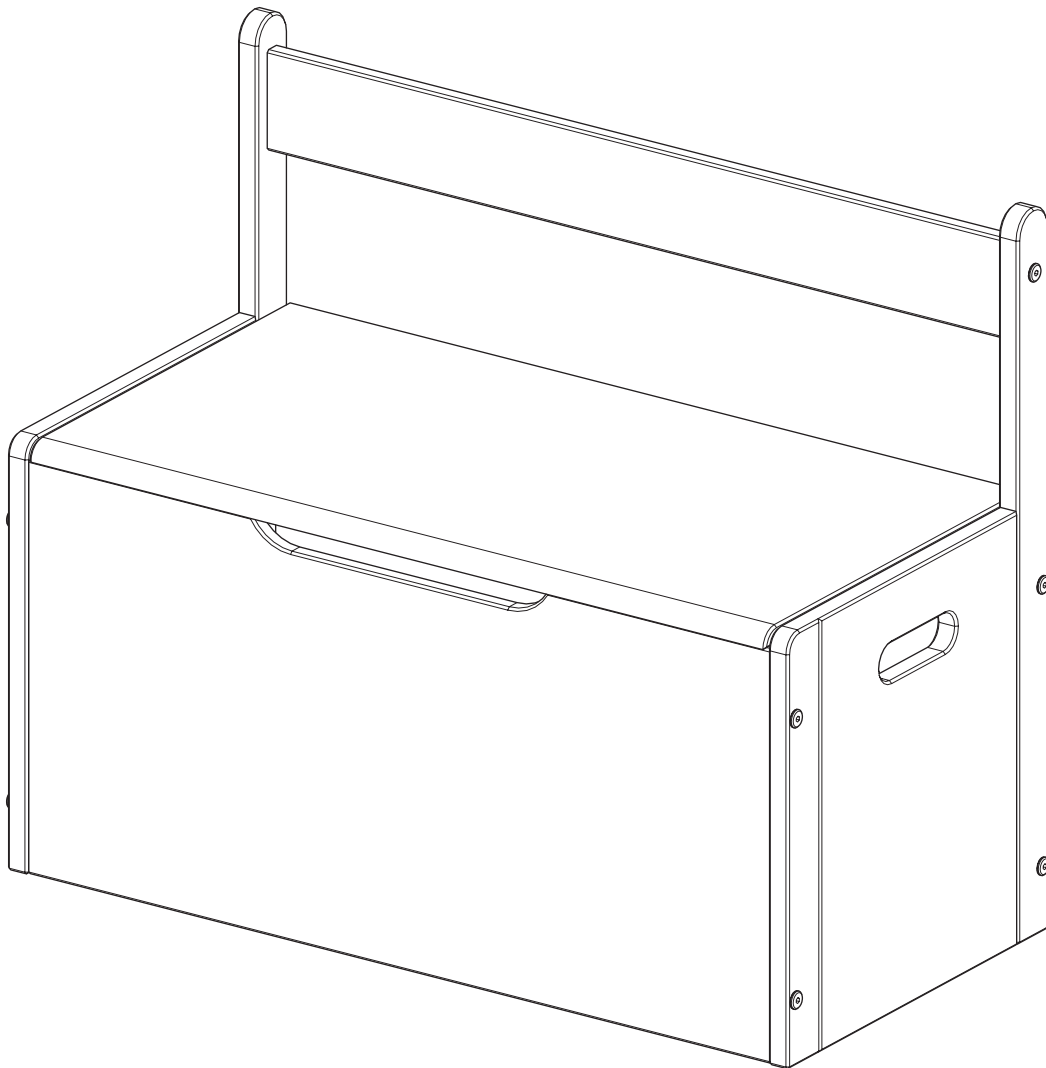
Kids Scandinavia - XL Storage Box

Assembly Instructions - Please keep for future reference

487/6584

Retain these instructions for future reference

499/3144



Dimensions

Width - 87cm

Depth - 42cm

Height - 63.5cm

Sainsbury's Argos

489-499 Avebury Boulevard

Saxon Gate West

Central Milton Keynes

MK9 2NW

Important – Please read these instructions fully before starting assembly

If you need help or have damaged or missing parts, call the **Customer Helpline: 03456 400 800**



Safety and Care Advice

Important – Please read these instructions fully before starting assembly

- Check you have all the components and tools listed on pages 2 and 3.
- Do not use this item if any components are missing or damaged.
- Remove all fittings from the plastic bags and separate them into their groups.
- Keep children and animals away from the work area, small parts could choke if swallowed.
- Make sure you have enough space to layout the parts before starting.
- Do not stand or put weight on the product, this could cause damage.
- Assemble the item as close to its final position (in the same room) as possible.

- Assemble on a soft level surface to avoid damaging the unit or your floor.

- Parts of the assembly will be easier with 2 people.



- We do not recommend the use of power drill/drivers **for inserting screws**, as this could damage the unit. Only use hand screwdrivers.

- Dispose of all packaging carefully and responsibly.

- This product is suitable for children in the age range which the product is designed, 3-12 years.

- The maximum child weight or load for the product is 30 kilograms.

- Assembly to be carried out by a competent adult only

- During assembly children should be kept away from the product due to possible risk of injury.

- Folding and unfolding this product should only be carried out under adult supervision.

- Ensure that fingers and legs are clear of all adjustments when adjusting this product.

- Regularly check all fastenings to ensure that they properly tightened.

Care and maintenance

- Only clean using a damp cloth and mild detergent, do not use bleach or abrasive cleaners.

- From time to time check that there are no loose screws on this unit.

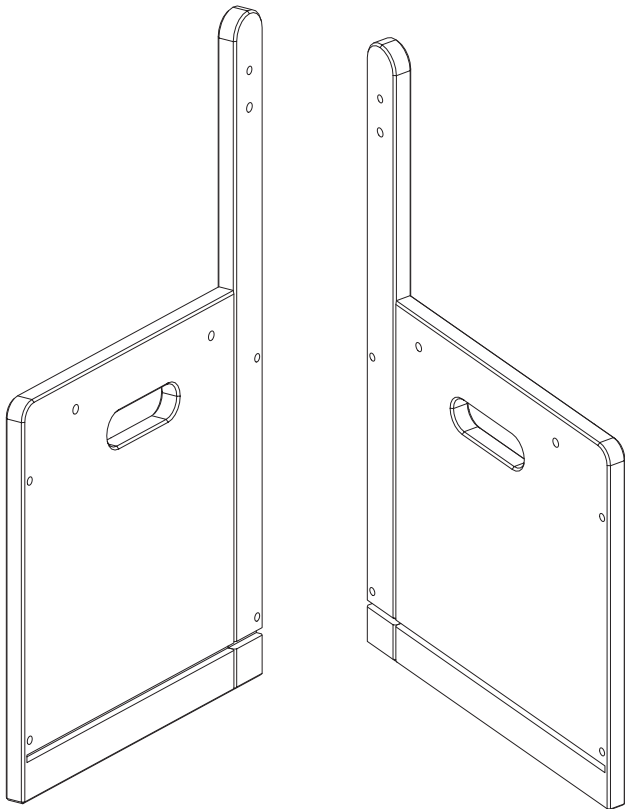
- This product should not be discarded with household waste. Take to your local authority waste disposal centre.

Note: if required the next page can be cut out and used as reference throughout the assembly. Keep this page with these instructions for future reference.

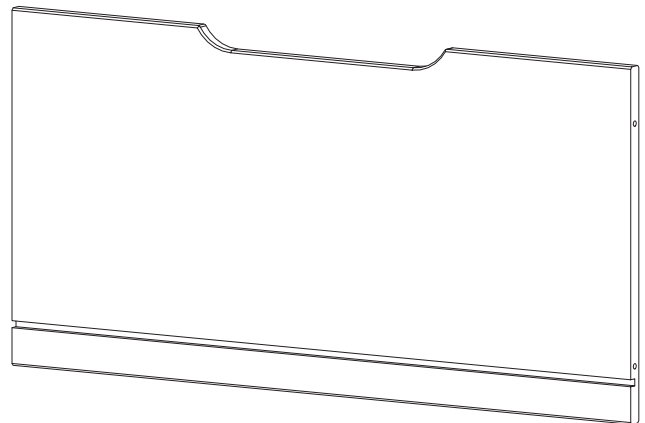
Components - Panels

If you have damaged or missing components, call the **Customer Helpline: 03456 400 800**

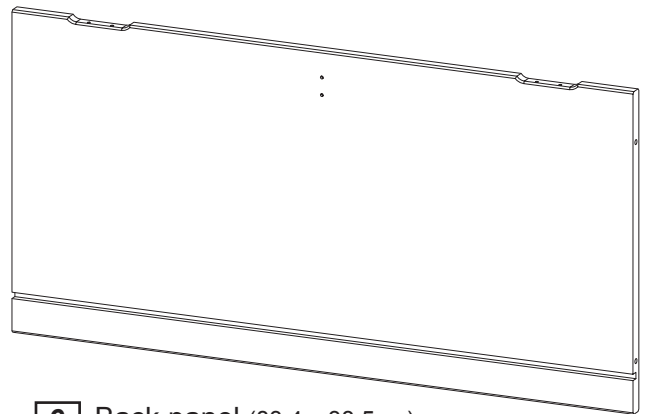
Please check you have all the panels listed below



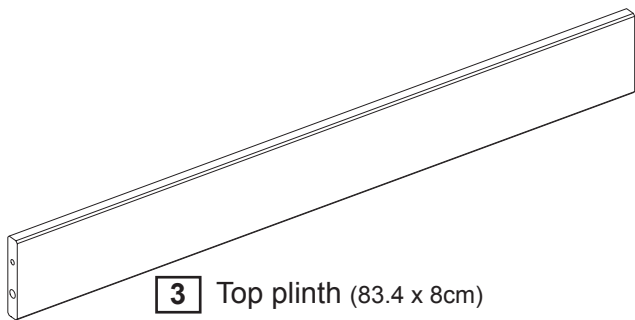
1 Left side (63.5 x 42cm) **2** Right side (63.5 x 42cm)



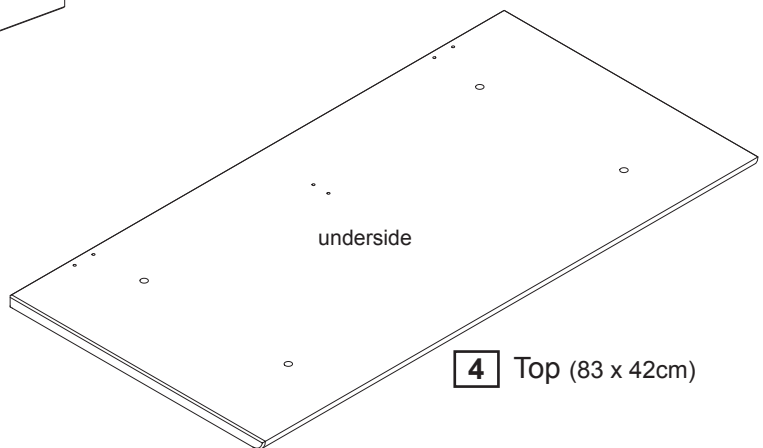
5 Front panel (83.4 x 38.5cm)



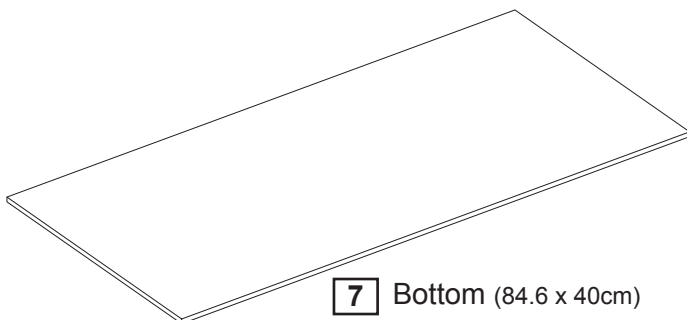
6 Back panel (83.4 x 38.5cm)



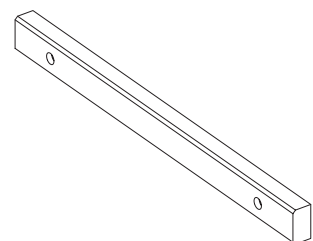
3 Top plinth (83.4 x 8cm)



4 Top (83 x 42cm)



7 Bottom (84.6 x 40cm)



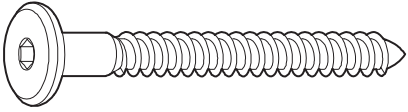

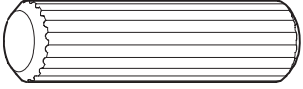
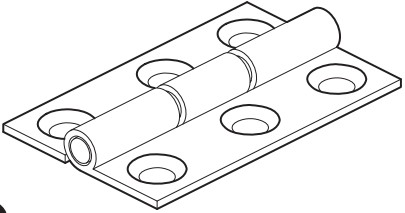
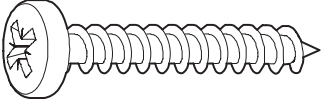
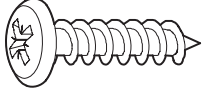
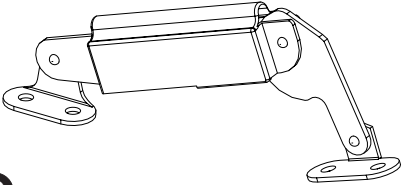
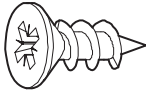
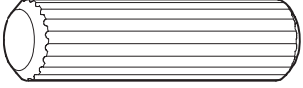
8 Rail x 4 (38 x 2.5cm)



Components - Fittings

Please check you have all the fittings listed below

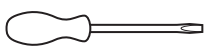
Note: The quantities below are the correct amount to complete the assembly. In some cases more fittings may be supplied than are required.

 <p>A 50mm Screw x 10</p>	 <p>B Allen key x 1</p>	 <p>C 30mm Dowel x 2</p>
 <p>D Flap hinge x 2</p>	 <p>E 20mm Screw x 8</p>	 <p>F 15mm Screw x 4</p>
 <p>G Safety hinge x 1</p>	 <p>H 15mm Screw x 12</p>	 <p>I 20mm Dowel x 8</p>

Tools required

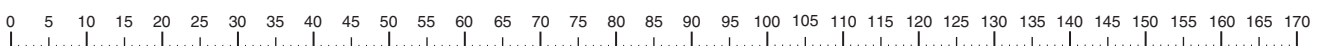


Phillips screwdriver
(medium & large)

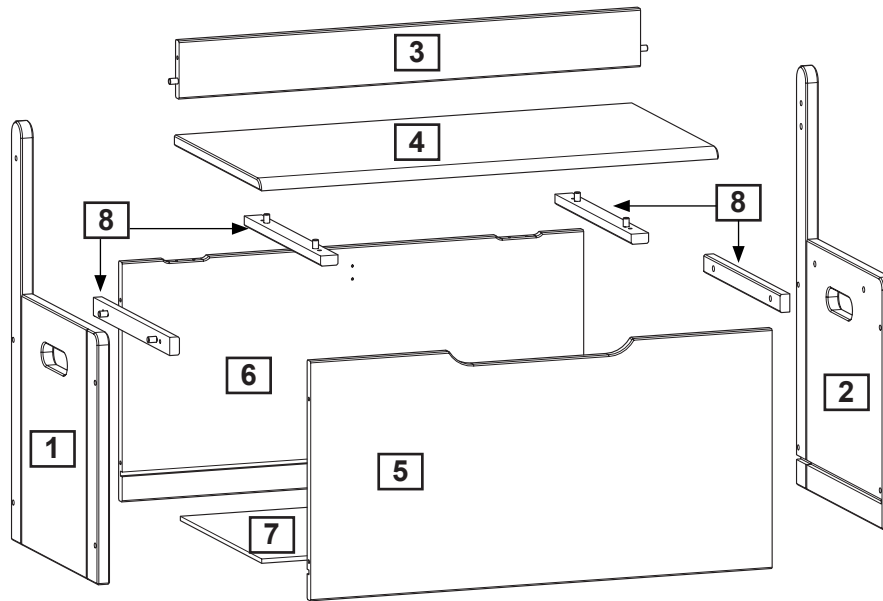


Flatblade screwdriver
(medium)

Ruler - Use this ruler to help correctly identify the screws



Components - Key Diagram

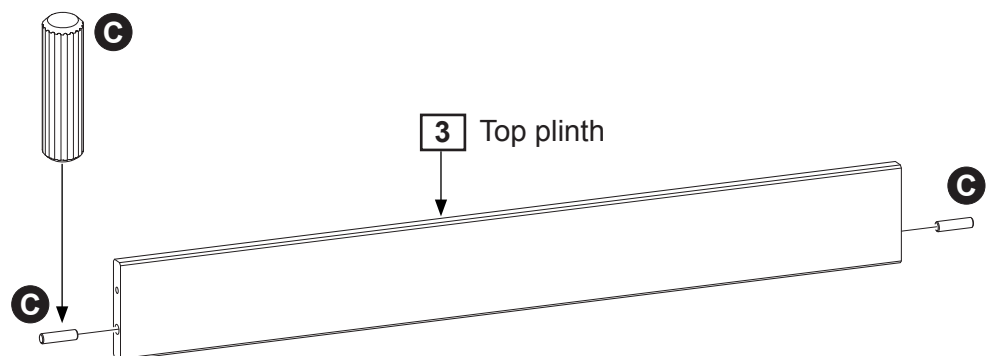


Assembly Instructions

Step 1

Inserting the dowel to the top plinth.

Insert the dowels **C** into the holes indicated on the top plinth **3**.



Step 2

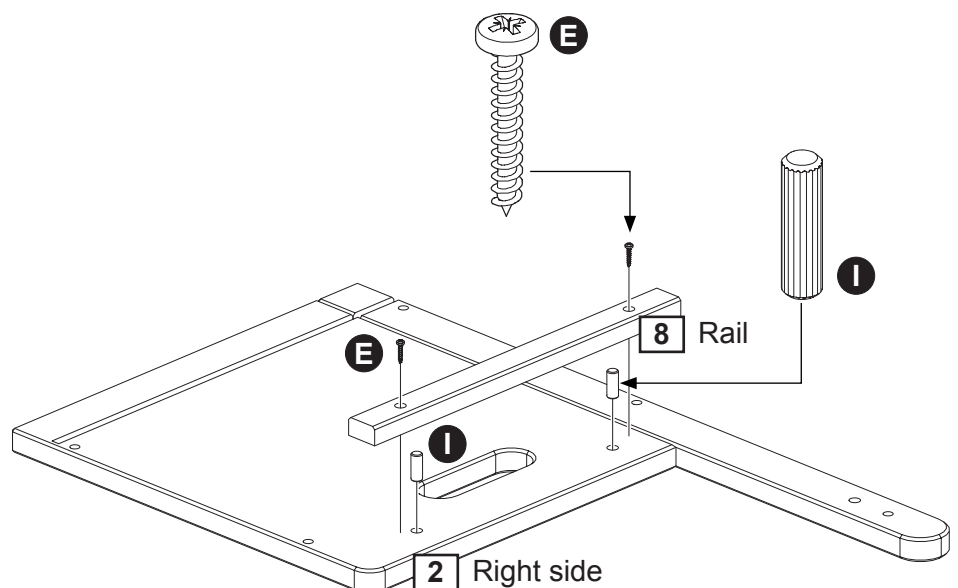
Mounting the rail onto the side.

Put dowels **I** in the right side **2**.

Press the Rail **8** onto the right side **2**.

Fix the rail using screws **E** through the holes indicated.

Repeat with left side panel **1**.

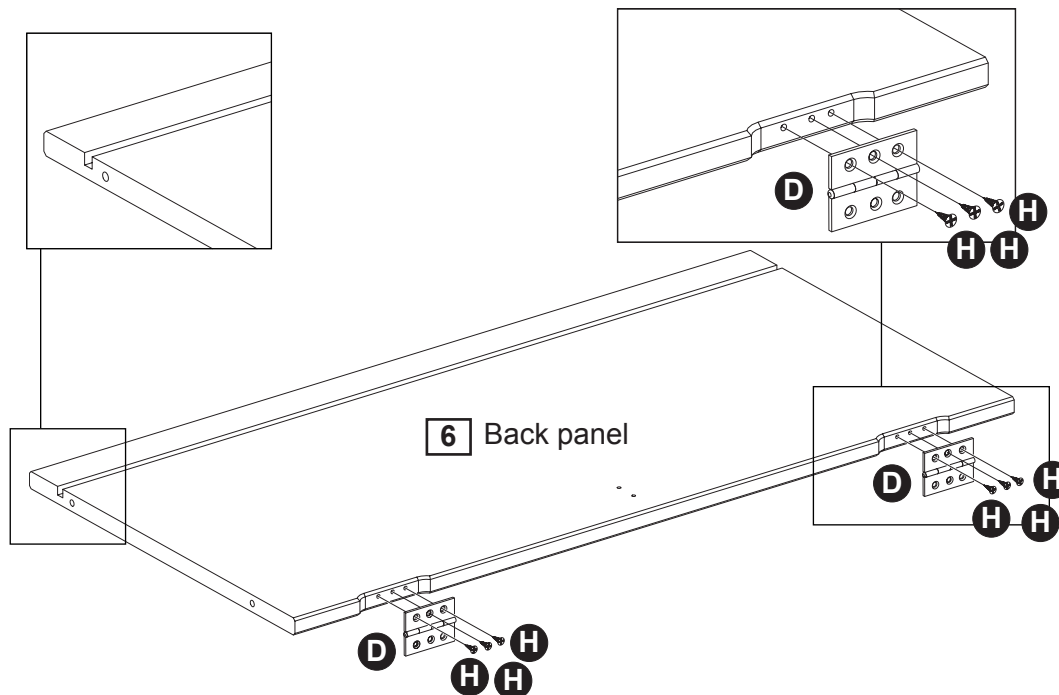


Assembly Instructions

Step 3

Fixing the flap hinges onto the back panel.

Fix the flap hinges **D** onto the back panel **6** using screws **H**.

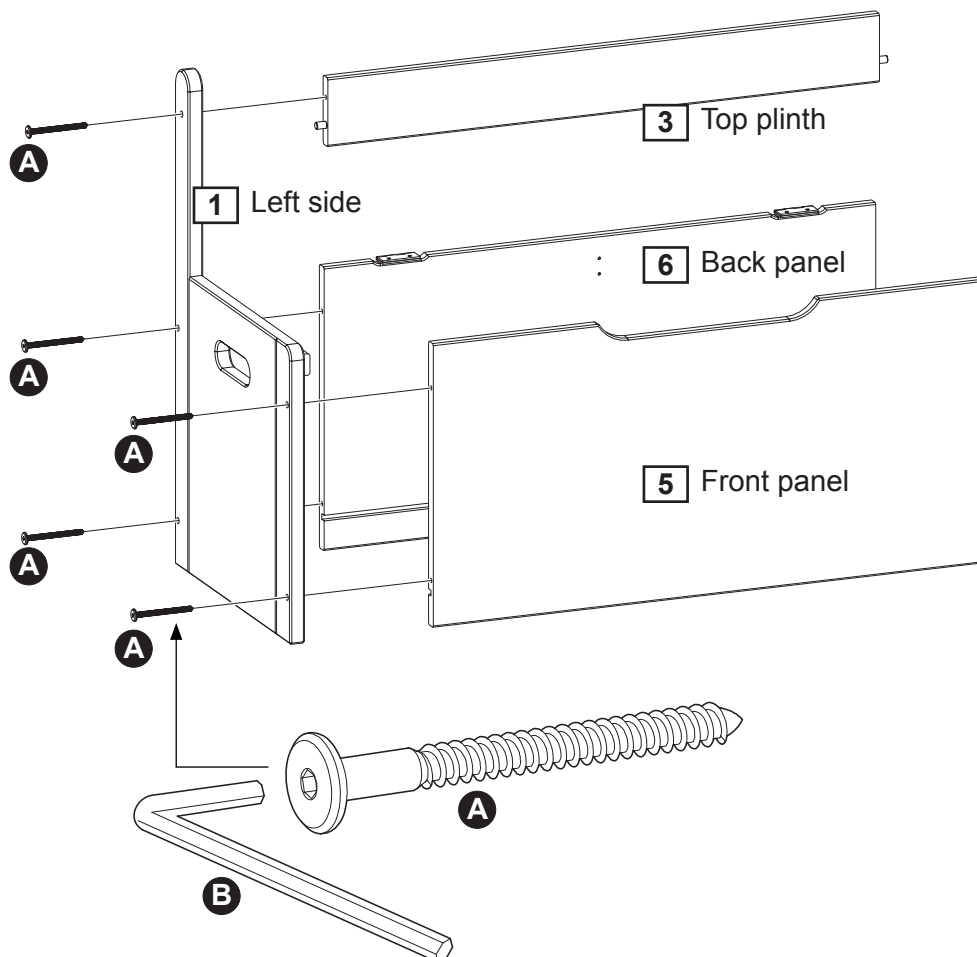


Step 4

Mounting the top plinth, the front panel and the back panel onto the left side.

Press the top plinth **3**, the front panel **5** and the back panel **6** onto the left side **1**.

Fix the top plinth, the front panel and the back panel using screws **A** and allen key **B** through the holes indicated.

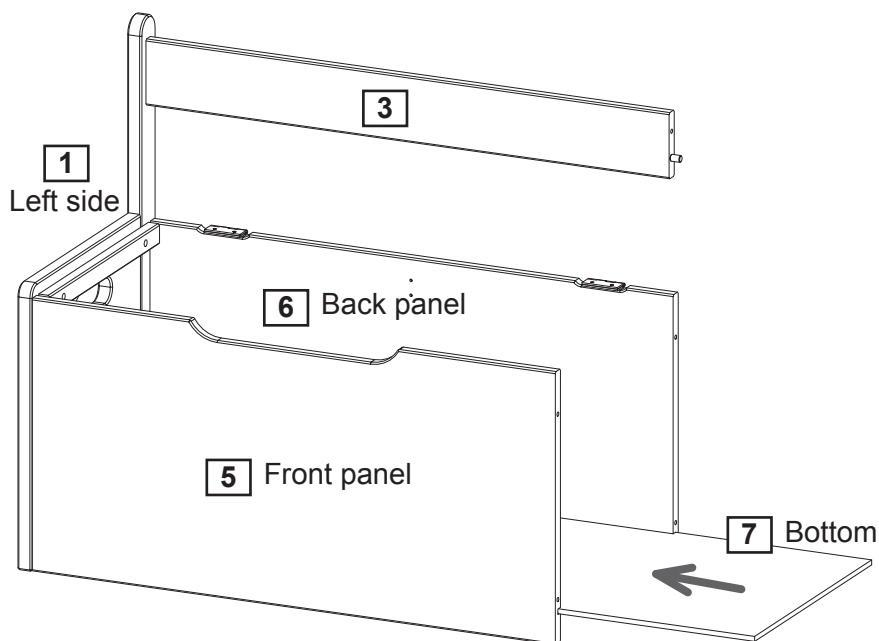


Assembly Instructions

Step 5

Slide the bottom into the front panel, the back panel and the left side.

Slide the bottom **7** into the grooves of the front panel **5**, the back panel **6** and the left side **1**.

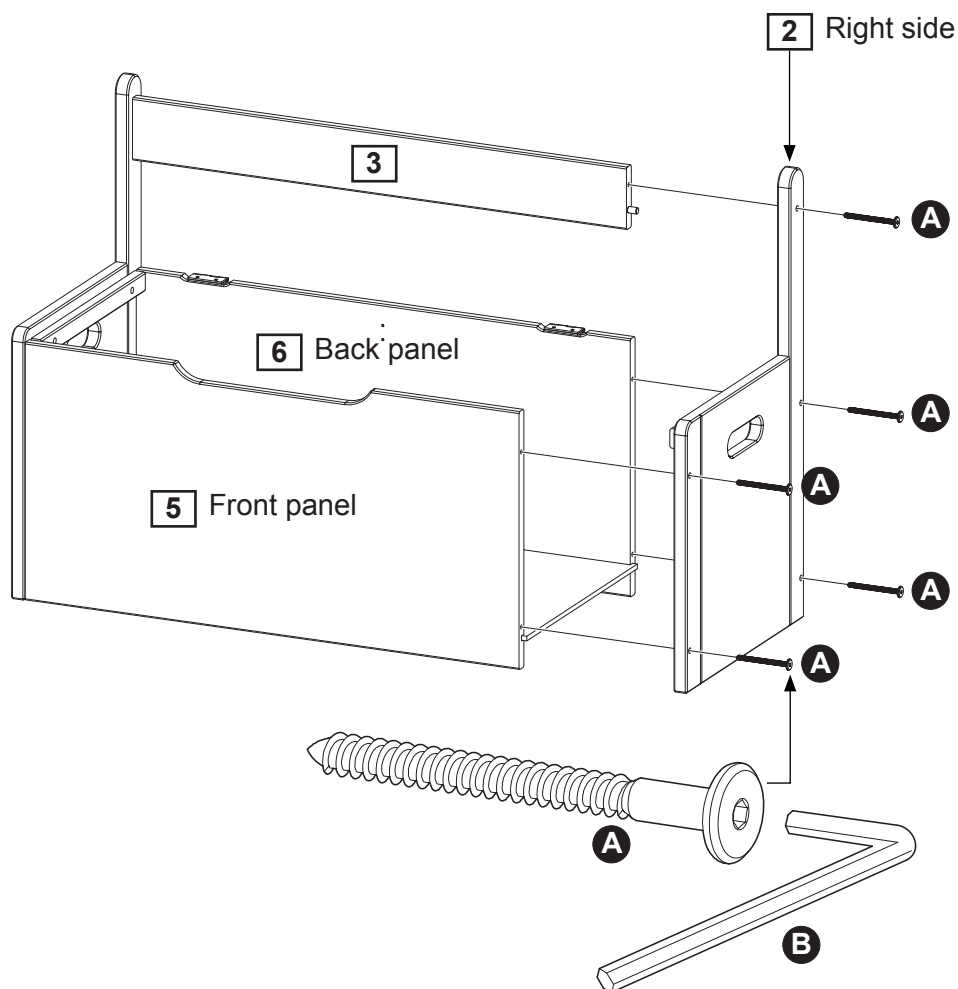


Step 6

Mounting the right side onto the top plinth, the front panel and the back panel.

Press the right side **2** onto the top plinth **3**, the front panel **5** and the back panel **6**.

Fix the right side using screws **A** and allen key **B** through the holes indicated.



Assembly Instructions

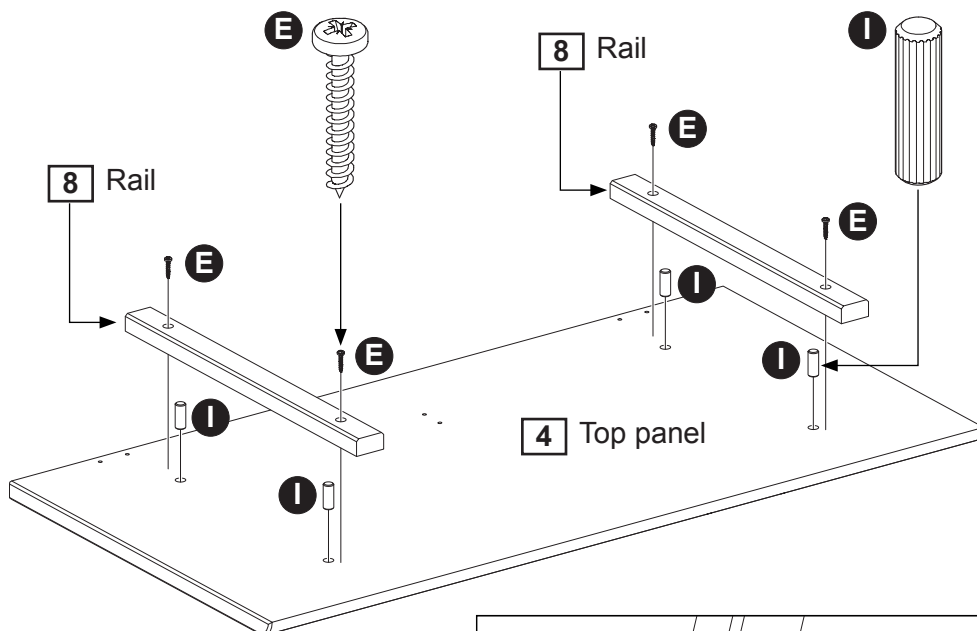
Step 7

Mounting the rails onto the top

Insert the dowels **I** into the holes indicated on the top **4**.

Press the rails **8** onto the top **4**.

Fix the rails using screws **E** through the holes indicated.

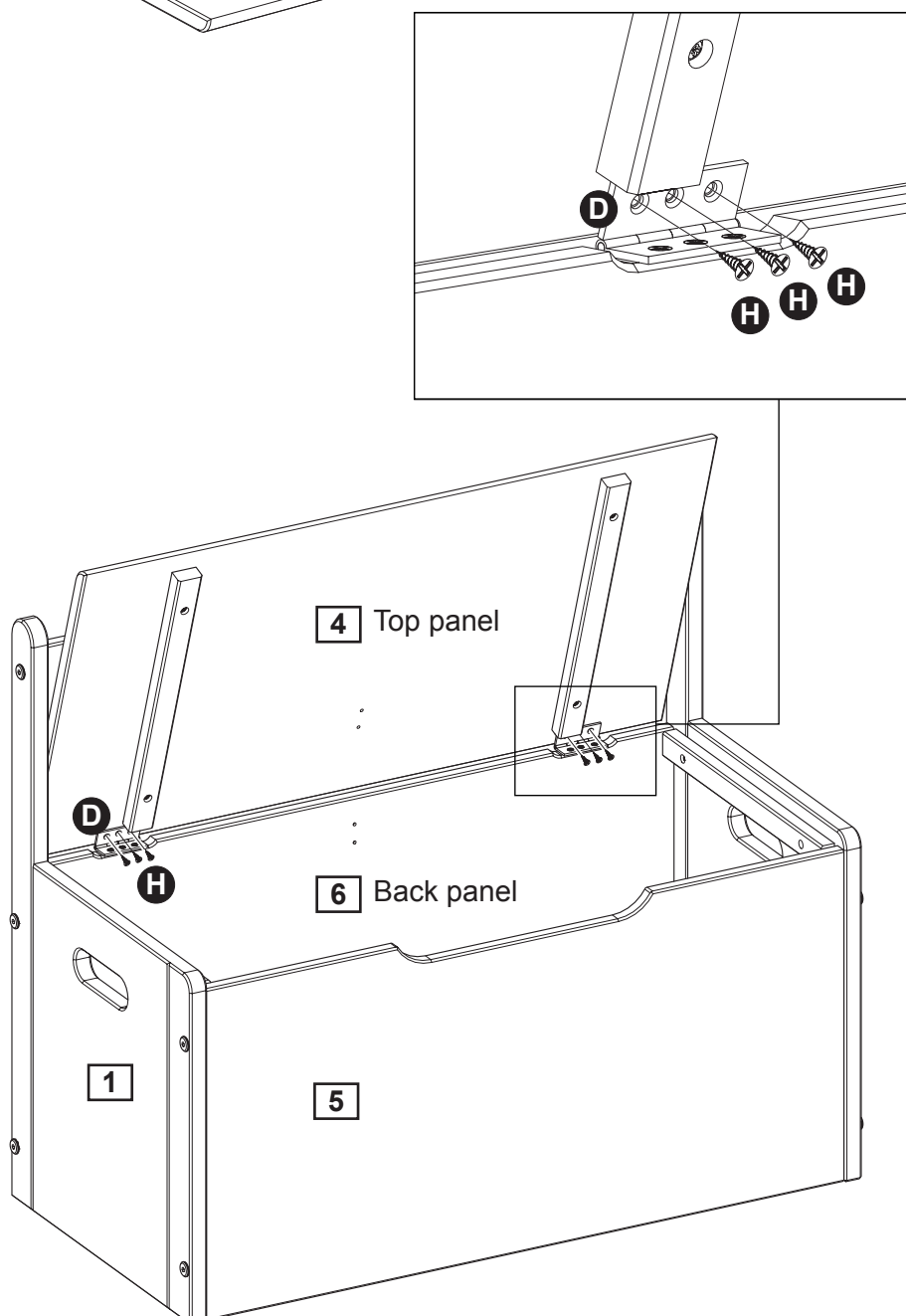


Step 8

Mounting the top onto the back panel.

Press the top **4**, onto the back panel **6**.

Fix the top using screws **H** through the holes indicated on flap hinges **D**.

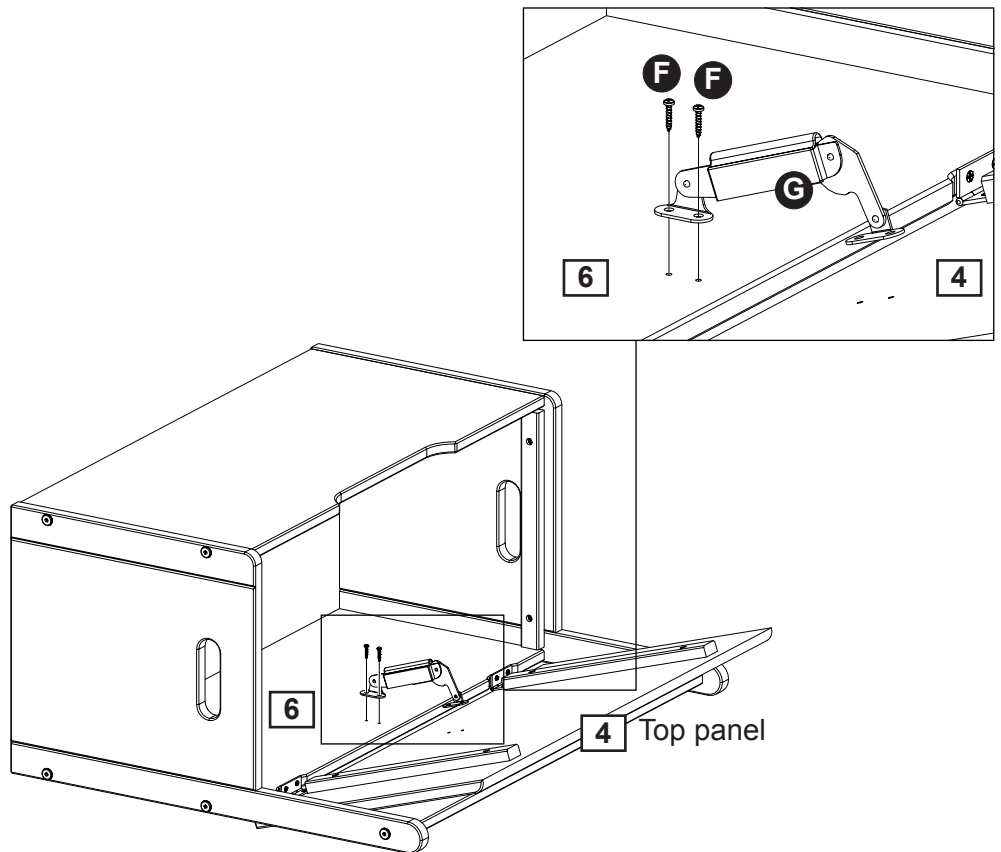


Assembly Instructions

Step 9

Mounting the safety hinge onto the back panel.

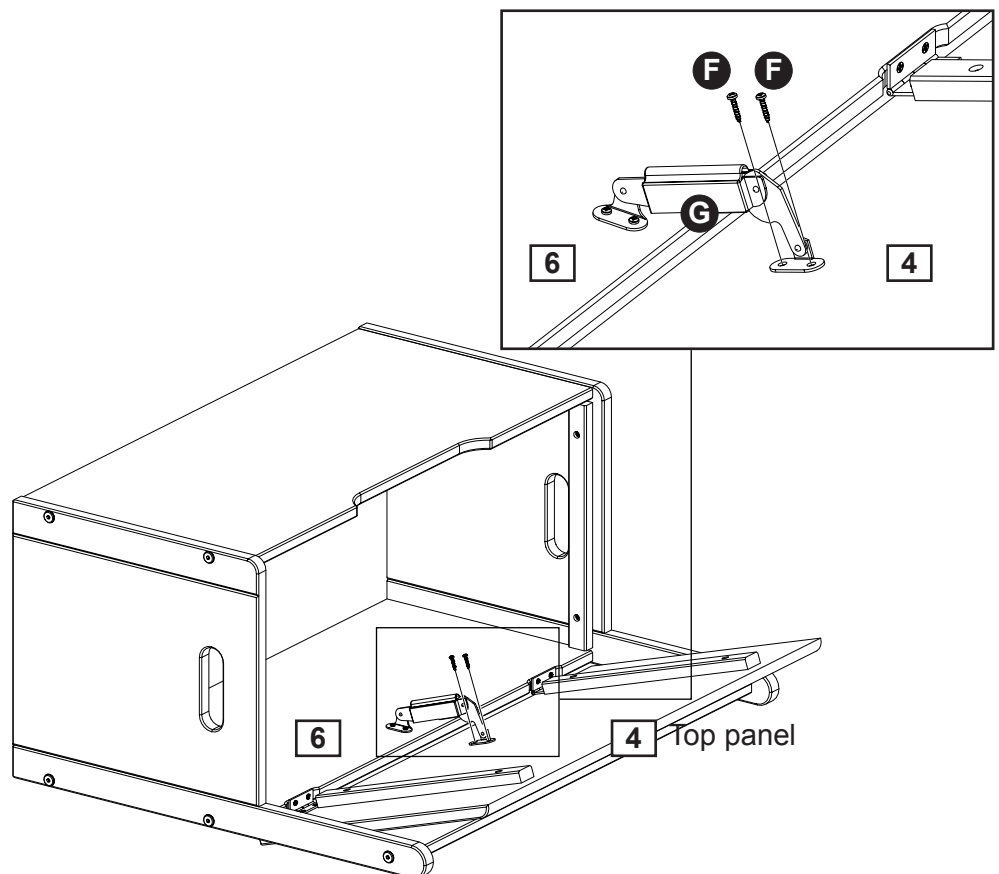
Fix the safety hinge **G** onto the back panel **6** using screws **F** into the pre-drilled holes.



Step 10

Mount the safety hinge onto the top.

Fix the safety hinge **G** onto the top **4** using screws **F** into the pre-drilled holes.



Assembly is complete.

If you need help or have damaged or missing parts, call the **Customer Helpline: 03456 400 800**

Dear Customer

Please note that the product you have purchased is a natural living timber.

Just like nature itself, wood varies in shape and colour. Knots, vein patterns, resin pockets and colour differences contribute to giving the piece of furniture its beauty and form - a natural part of solid wood.

Although the tree has been cut down and dried, it is still alive and therefore will react to high and low temperatures, light, humidity, drought and time.

In cold and dry periods, the wood contracts which may lead to small cracks in the piece of furniture. The reverse happens in warm and humid periods where the wood expands and this may result in slight unevenness.

The colour of the wood also changes with time, particularly if the furniture is placed in a light place. This is a natural process and part of owning a piece of furniture made of solid wood.

Any flexing that has occurred during transport will re-correct itself once this product is correctly assembled.

Tighten all joints of the furniture after six months.

Please keep these instructions in a safe place for future use.