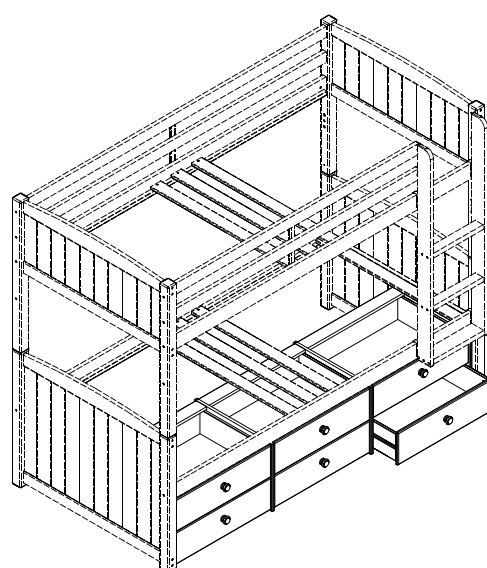
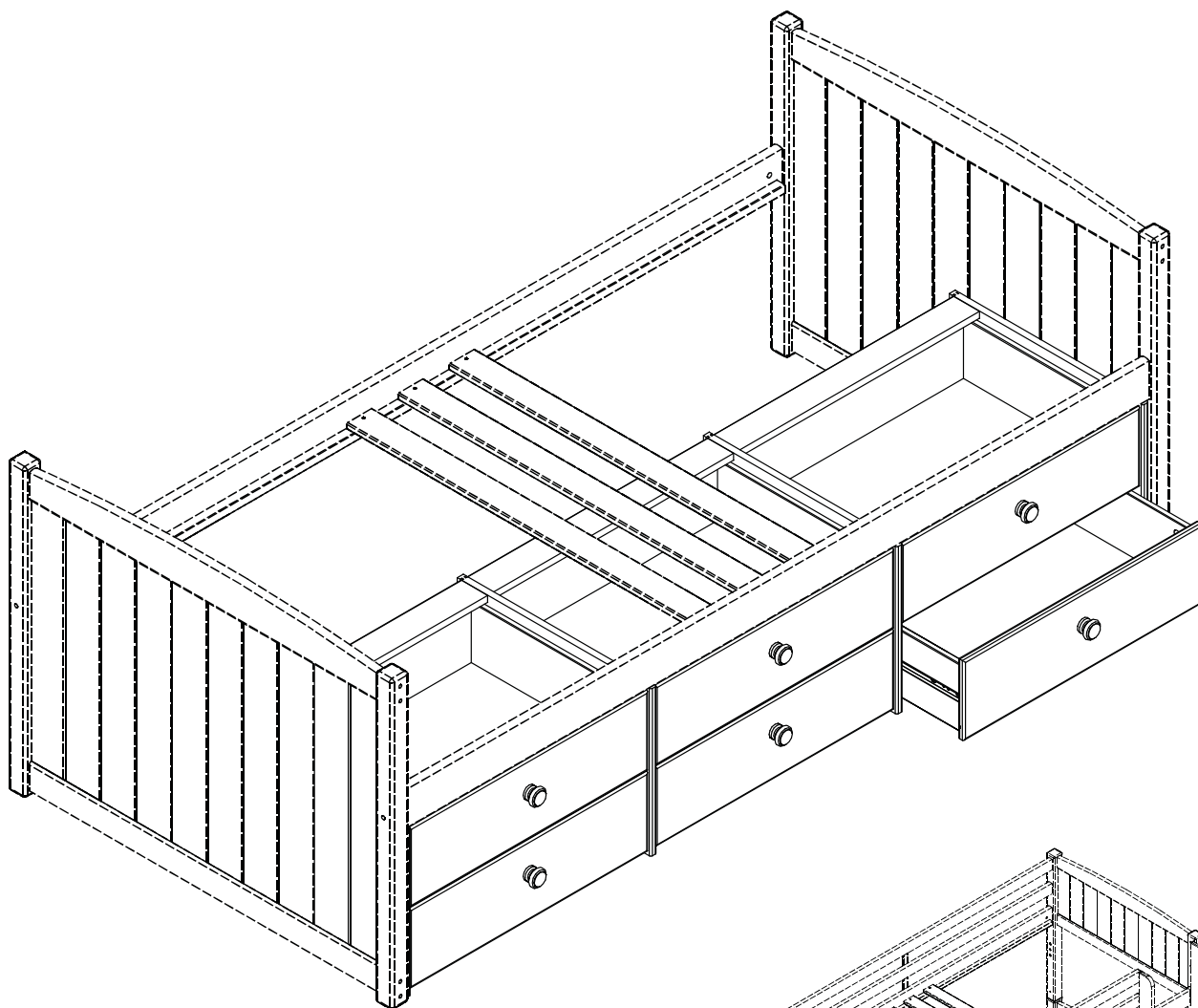


6 Drawer Under Bed Unit - White

Assembly Instructions - Please keep for future reference

4838034



Dimensions

Length - 187cm

Depth - 49cm

Height - 37cm

Weight - 31kg

Important – Please read these instructions fully before starting assembly

If you need help or have damaged or missing parts, call the **Customer Helpline:**

0045 7668 8055 or e-mail: order@flexa.dk



Safety and Care Advice

Important – Please read these instructions fully before starting assembly

- Check you have all the components and tools listed on pages 2 and 3.
- Remove all fittings from the plastic bags and separate them into their groups.
- Keep children and animals away from the work area, small parts could choke if swallowed.
- Make sure you have enough space to layout the parts before starting.

- Do not stand or put weight on the product, this could cause damage.
- Assemble the item as close to its final position (in the same room) as possible.
- Assemble on a soft level surface to avoid damaging the unit or your floor.
- Parts of the assembly will be easier with 2 people.



- We do not recommend the use of power drill/drivers **for inserting screws**, as this could damage the unit. Only use hand screwdrivers.
- Dispose of all packaging carefully and responsibly.

Care and maintenance

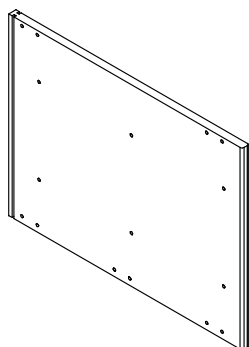
- Only clean using a damp cloth and mild detergent, do not use bleach or abrasive cleaners.
- From time to time check that there are no loose screws on this unit.
- This product should not be discarded with household waste. Take to your local authority waste disposal centre.

Note: if required the next page can be cut out and used as reference throughout the assembly. Keep this page with these instructions for future reference.

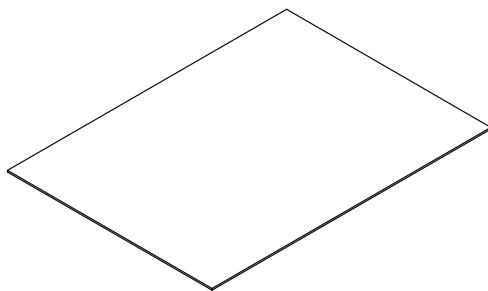
Components - Parts

If you have damaged or missing components,
call the **Customer Helpline: 0045 7668 8055**

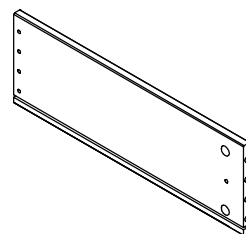
Please check you have all the parts listed below



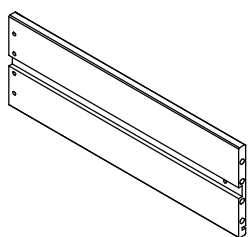
1 Side panel x4
(36.3x48.5x1.5cm)
No. 15-01503631-20



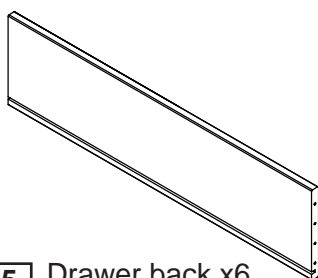
2 Drawer base x6
(58.0x42.5x0.3cm)
No. 4309-030580



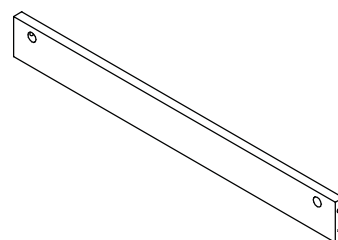
3 Drawer side right x6
(43.0x14.6x1.3cm)
No. 12-01304301



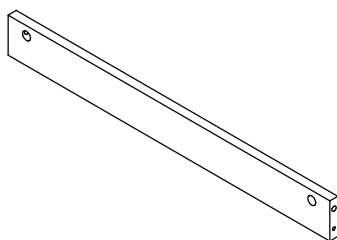
4 Drawer side left x6
(43.0x14.6x1.3cm)
No. 12-01304302



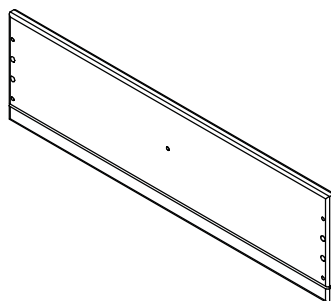
5 Drawer back x6
(56.8x14.6x1.3cm)
No. 12-01305683



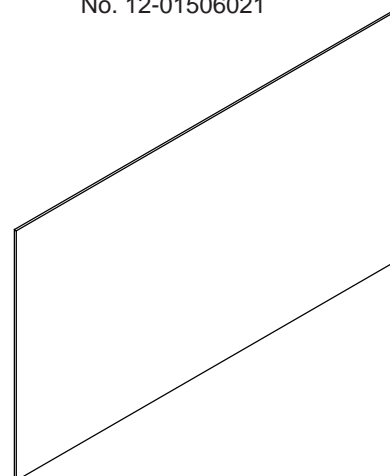
6 Plinth x6
(60.2x6.5x1.5cm)
No. 12-01506021



7 Plinth x6 White
(60.2x6.5x1.5cm)
No. 12-01506021-20



8 Drawer front x6
(59.8x17.3x1.5cm)
No. 15-01505983-20



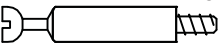

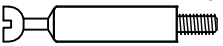

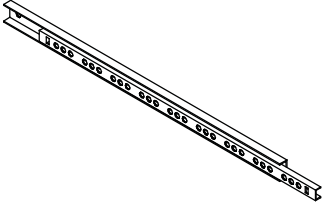
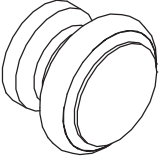
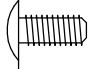

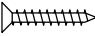
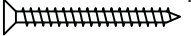






9 Back panel x3
(60.9x35.7x0.3cm)
No. 4308-030609



Components - Fittings

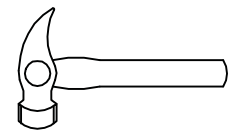
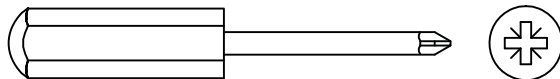
Please check you have all the fittings listed below

Note: The quantities below are the correct amount to complete the assembly. In some cases more fittings may be supplied than are required.

<p>A  No. 4020-005 ø7x34mm Minifix bolt x32</p>	<p>B  No. 3933-15010 ø15x9.5mm Minifix cam x48</p>	<p>C  No. 4020-006 ø7/M4x34mm Minifix bolt x16</p>
<p>D  No. 3924-04015 ø5x15mm Sleeve connector x20</p>	<p>E  No. 4010-006 430x17x10mm Drawer runner x12</p>	<p>F  No. 4001-022-20 ø40x30mm Knob x6</p>
<p>G  No. 3912-04009 ø9.5/M4x9mm Machine screw x12</p>	<p>H  No. 3930-05030 5x30mm Dowel x24</p>	<p>I  No. 3901-40025 4.0x25mm Chipboard screw x4</p>
<p>J  No. 3901-35040 3.5x40mm Chipboard screw x48</p>	<p>K  No. 4022-006 1.2x20mm Nail square x50</p>	<p>L  No. 3907-58011 ø5.8x11mm Euro screw x12</p>
<p>M  No. 3903-40040 4.0x40mm Chipboard screw x6</p>	<p>N  No. 3930-08030 8x30mm Dowel x24</p>	<p>O  No. 4008-021 20x20x16x2 Angle x2</p>
<p>P  No. 3920-04008 ø7,3/M4x8mm Machine screw x24</p>		

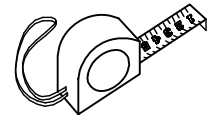
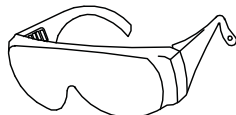
Tools required

Phillips
screwdriver
(medium)



Small
hammer

Eye protection
(when using a
hammer or glue)



Ruler/tape
measure

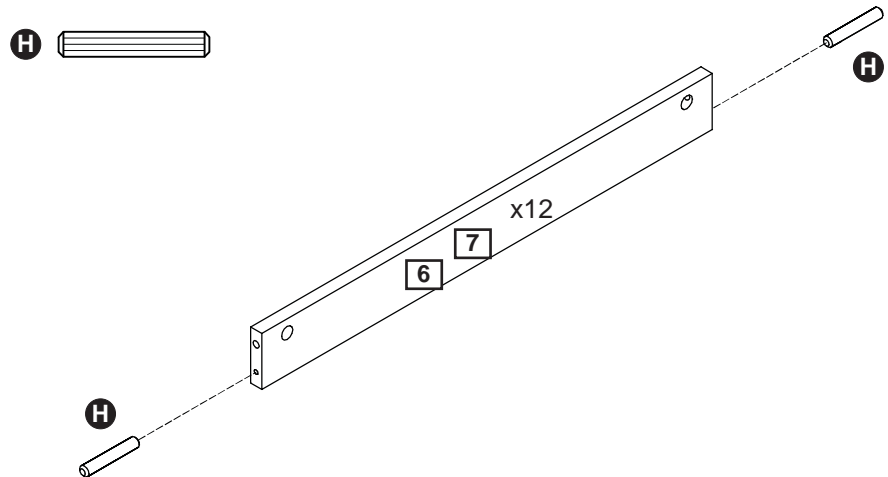
Assembly Instructions

Step 1

Attach the dowels **H** to the plinths **6** and **7**.

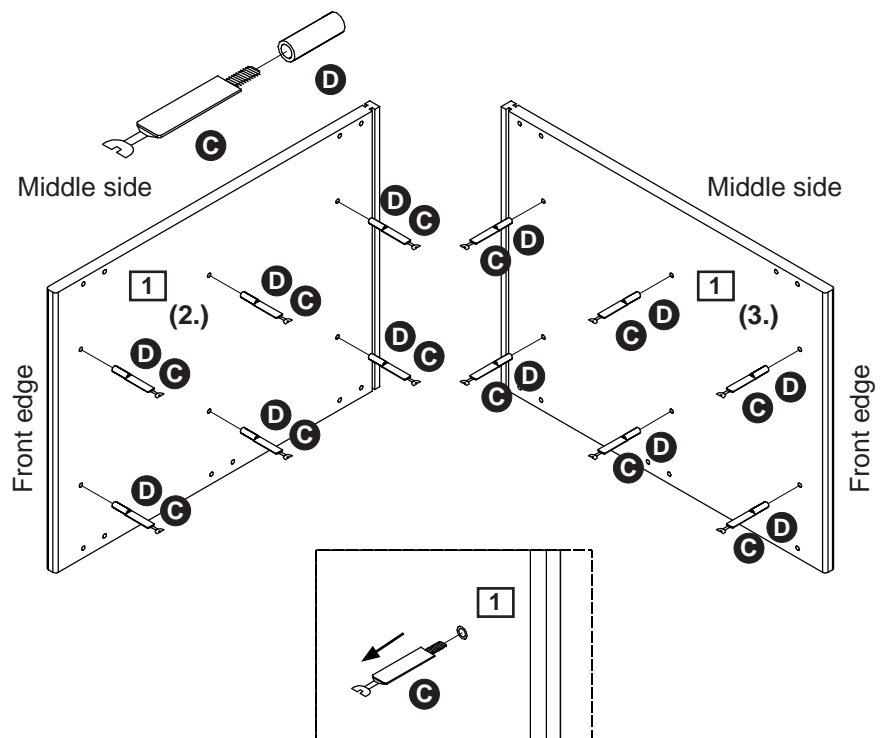
It may be necessary to tap the dowels in very gently with a small hammer.

Repeat for all twelve plinths.



Step 2

Attach minifix bolts **C** to the sleeve connectors **D** and gently tap the connectors **D** into the holes in side panels **1** (2. and 3.). Unscrew the minifix bolts **C** from the connectors **D**.

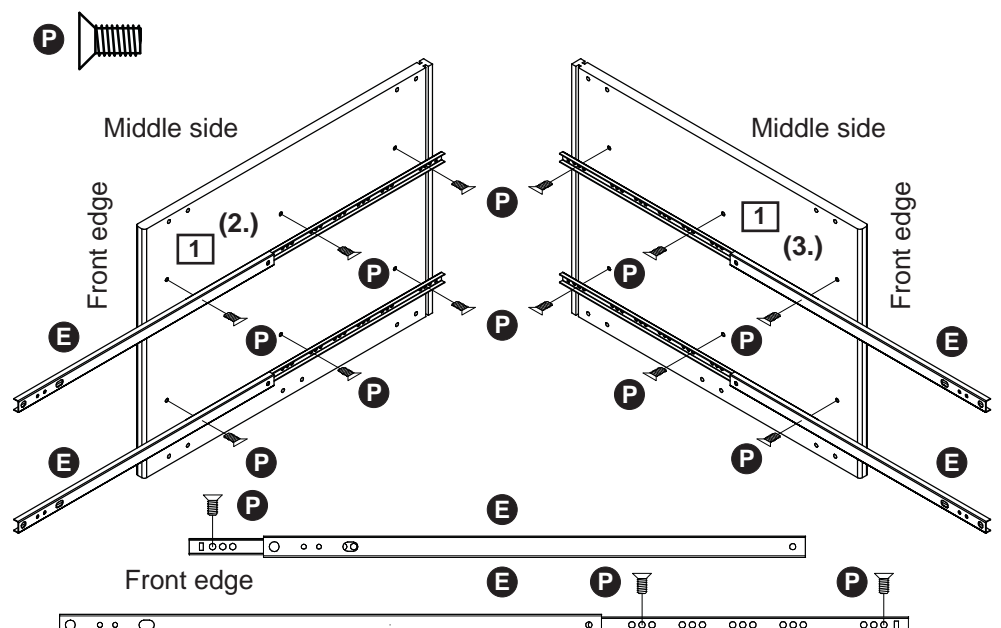


Step 3

Attach the drawer runners **E** to side panels **1** (2. and 3.) using screws **P**.

Important! Do not tighten the screws **P until all 3 screws are inserted into the holes.**

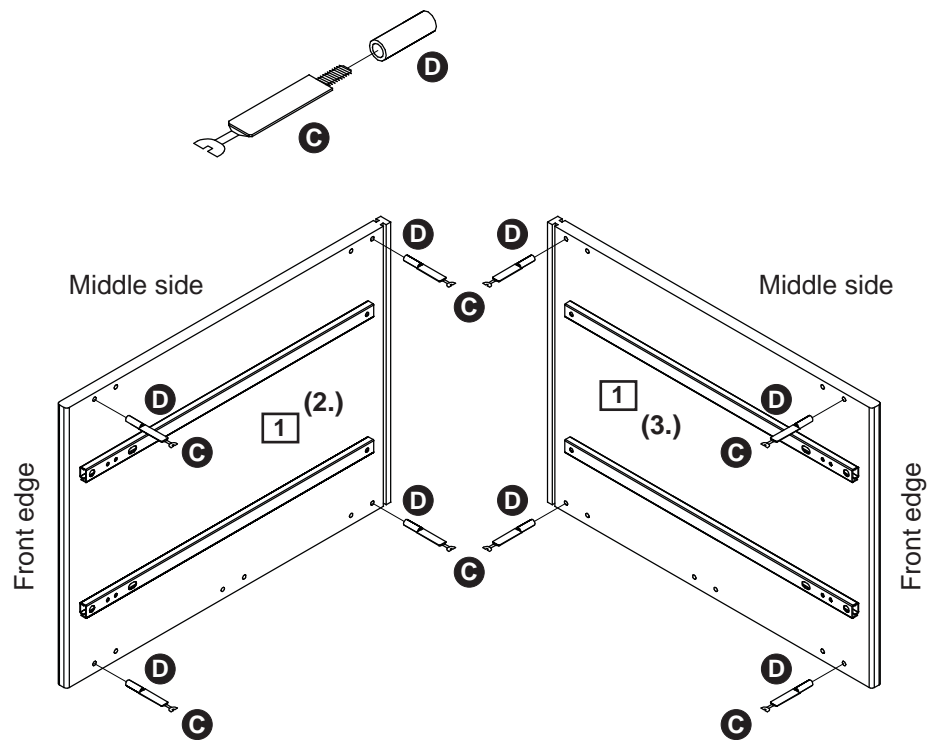
Be aware of the forward end!



Assembly Instructions

Step 4

Attach minifix bolts **C** to the sleeve connectors **D** and gently tap the connectors **D** into the holes in side panels **1** (2. and 3.).

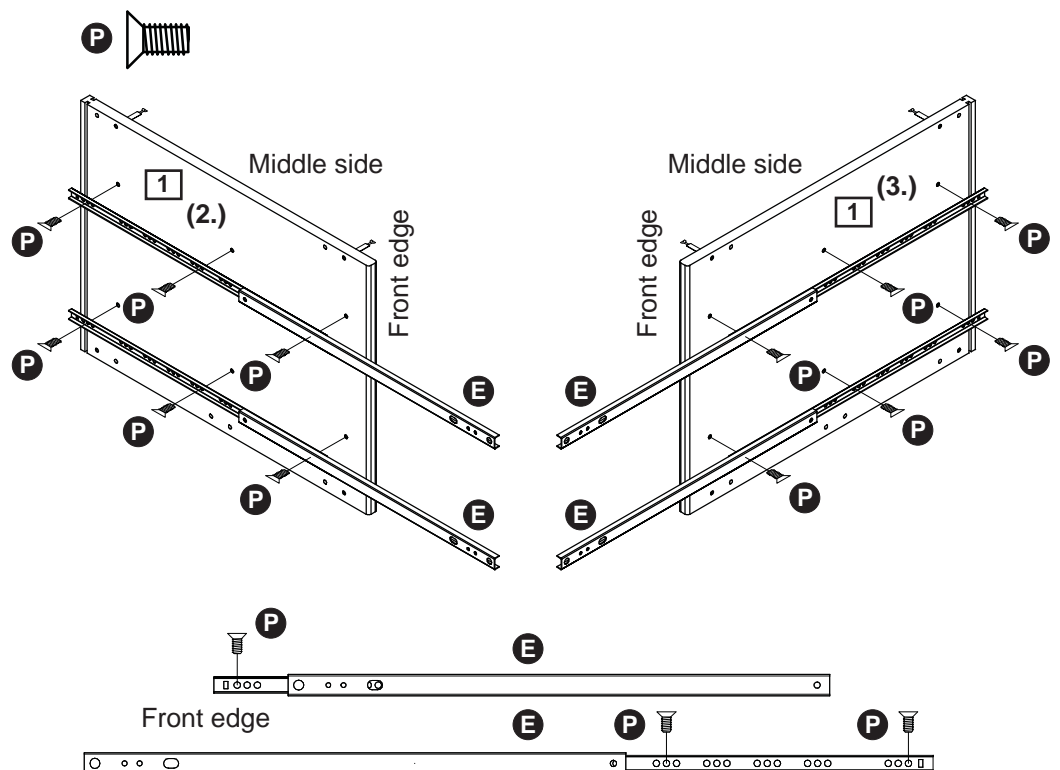


Step 5

Flip the side panel over and attach the drawer runners **E** to the other side of side panels **1** (2. and 3.) with screws **P**.

Important! Do not tighten the screws **P until all 3 screws are inserted into the holes.**

Be aware of the forward end!

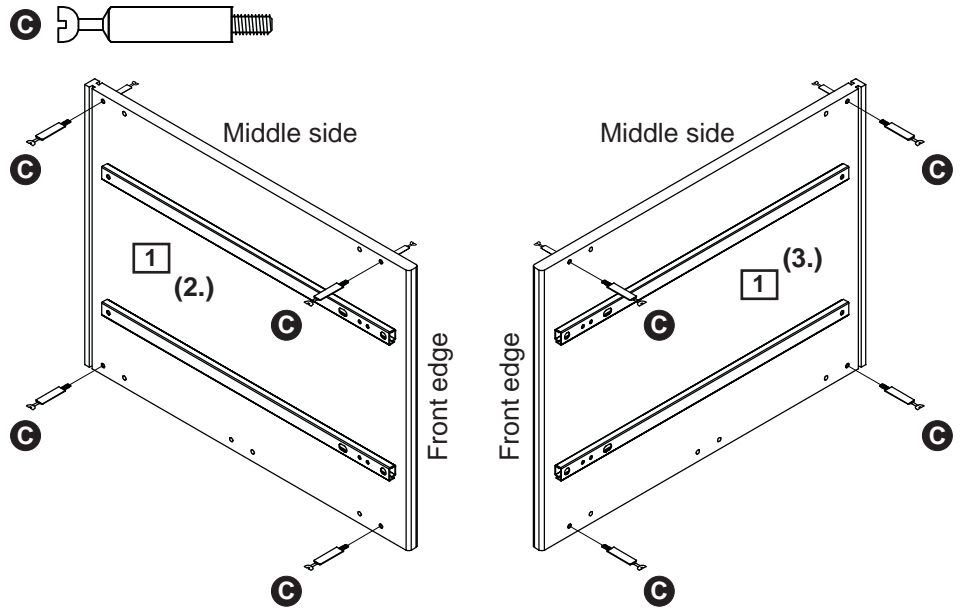


Assembly Instructions

Step 6

Please note! The minifix bolts **C** should only be tightened with your fingers, not tightened into the wood/panels using a screwdriver.

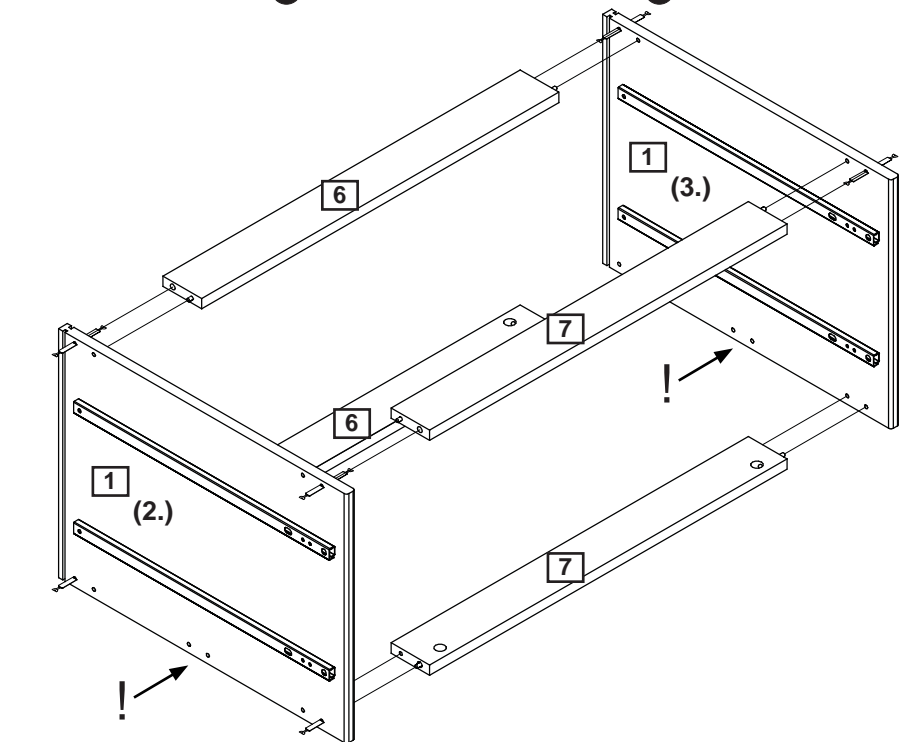
Attach minifix bolts **C** to the other side of side panels **1** (2. and 3.).



Step 7

Please note! Make sure the 2 small holes in the panels are facing down against the floor.

Assemble the middle section by placing the plinths **6** and **7** between the side panels **1** (2. and 3.).

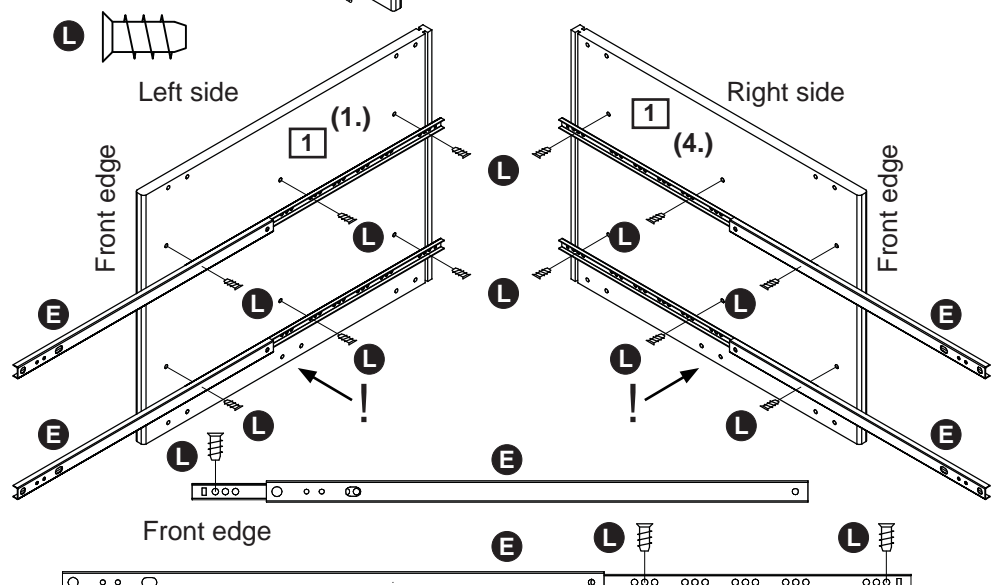


Step 8

Please note! Make sure the 2 small holes in the panels are facing down against the floor.

Attach drawer runners **E** to the side panels **1** (1. and 4.) using screws **L**.

Important! Do not tighten the screws **L until all 3 screws are inserted into the holes.**

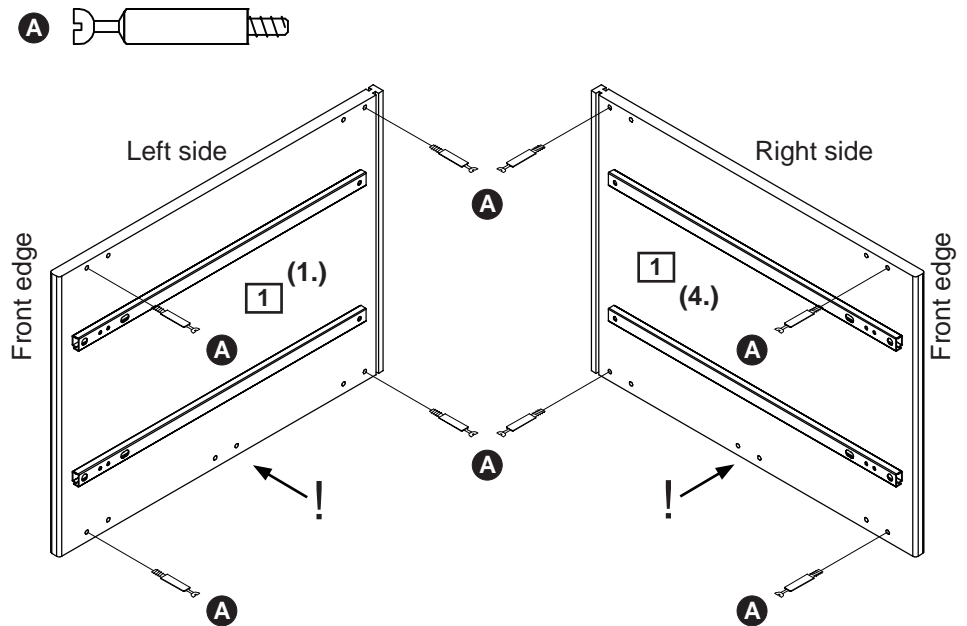


Assembly Instructions

Step 9

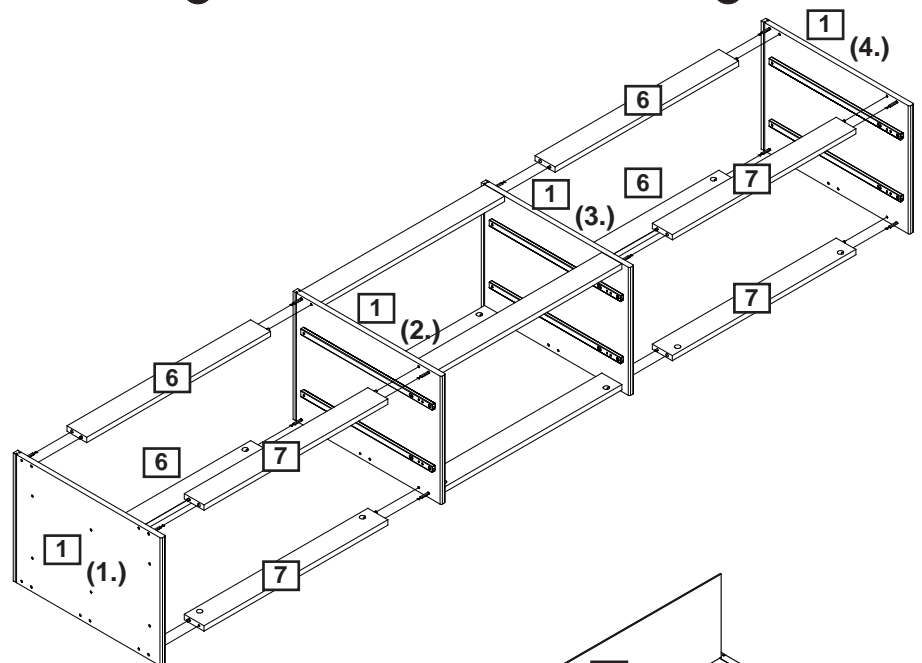
Please note! Make sure the 2 small holes in the panels are facing down against the floor.

Attach the minifix bolts **A** to side panels **1** (1. and 4.)



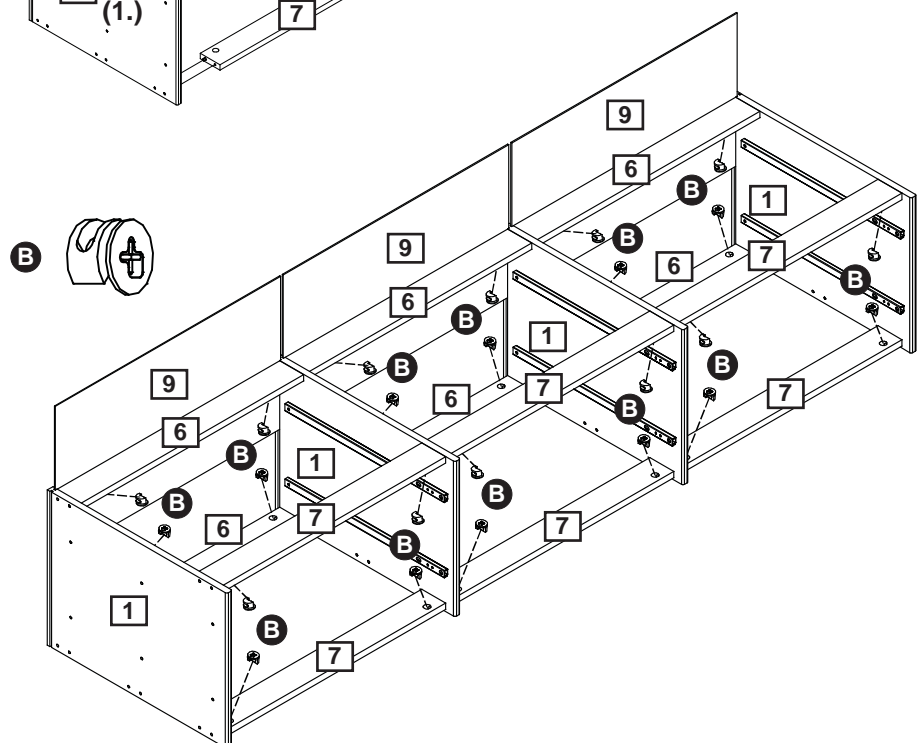
Step 10

Assemble the left and right section by placing plinths **6** and **7** between the side panels **1** (1. and 2. and 3. and 4.)



Step 11

Insert minifix cams **B** into the holes in the plinths **6** and **7** and tighten the cams using a screwdriver. Slide back panels **9** into grooves in side panels **1**.

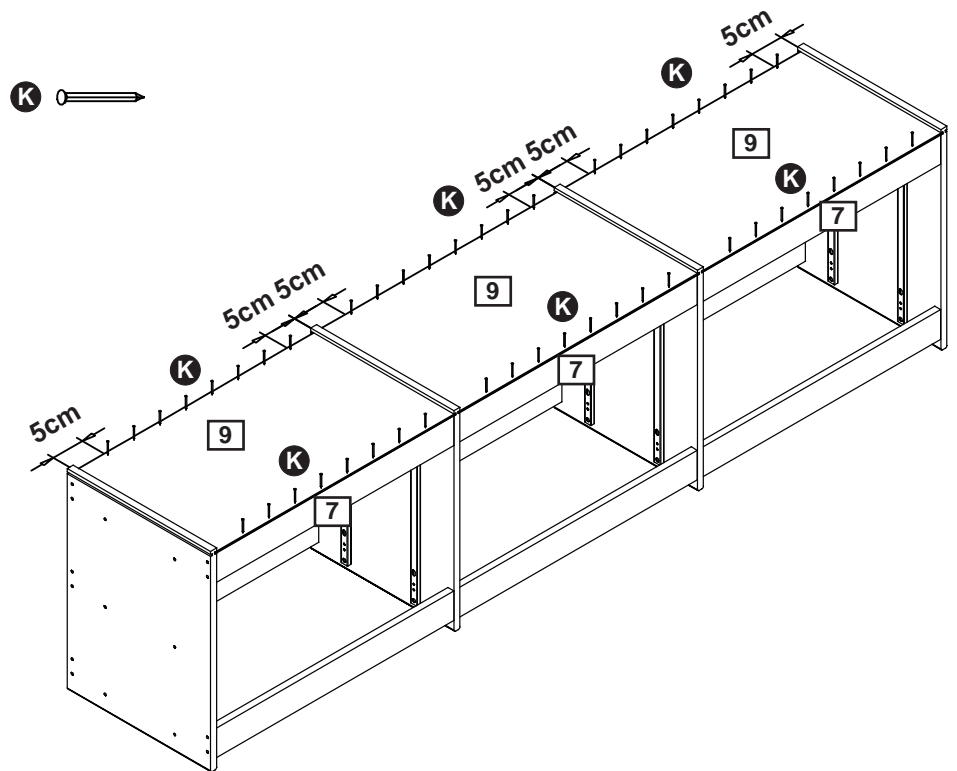


Assembly Instructions

Step 12

Please note! The nails **K** should be positioned at least 5 cm from the side panels. If not, the nail may hit the minifix cam in the plinth.

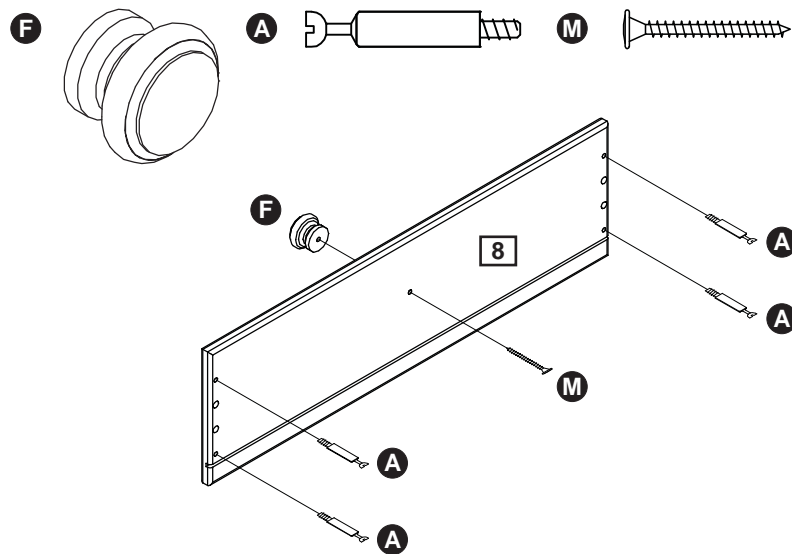
Attach the back panels **9** to the plinths **6** and **7** using nails **K**. Make sure that there is no gap between the plinths and the back panels.



Step 13

Insert minifix bolts **A** into holes in the drawer front **8**. Attach knob **F** to the drawer front using screw **M**.

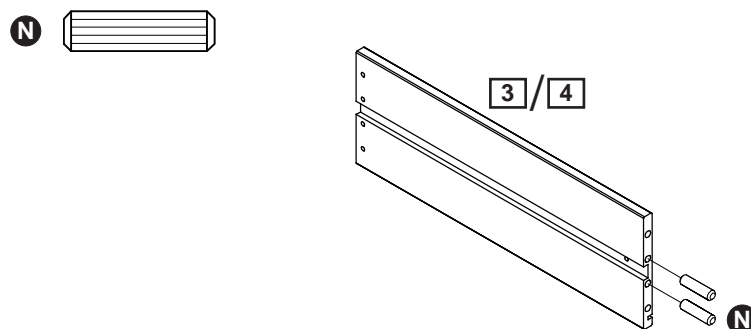
Repeat for all six drawer fronts.



Step 14

Insert dowels **N** into holes in drawer sides **3** and **4**.

Repeat for all twelve drawer sides.

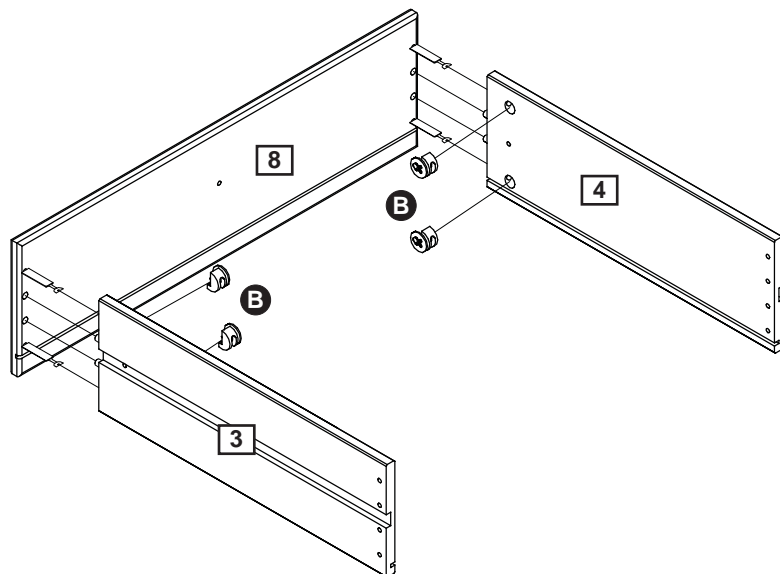


Assembly Instructions

Step 15

Attach the drawers sides **3** and **4** to the drawer front **8** using minifix cams **B**.

Repeat for all six drawers.

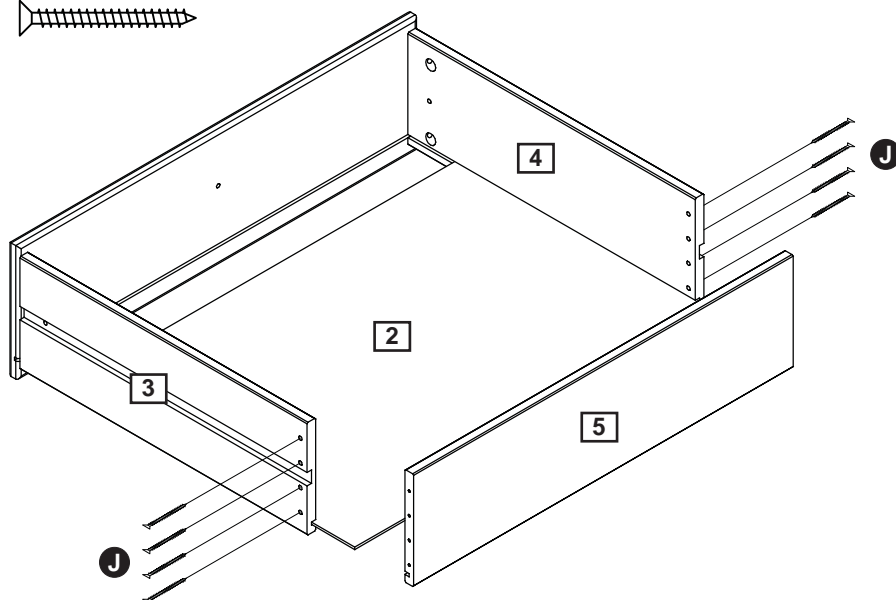


Step 16

Push the drawer base **2** carefully into the drawer.

Attach the drawer back **5** to the drawer sides **3** and **4** with the screws **J**.

Repeat for all six drawers.

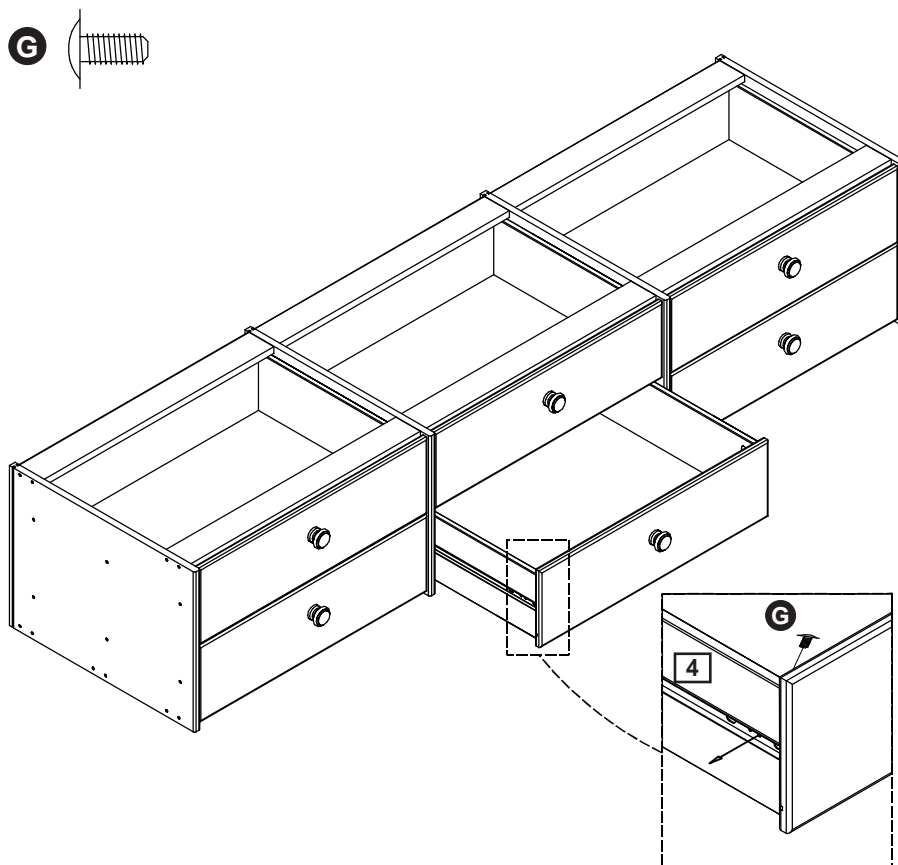


Assembly Instructions

Step 17

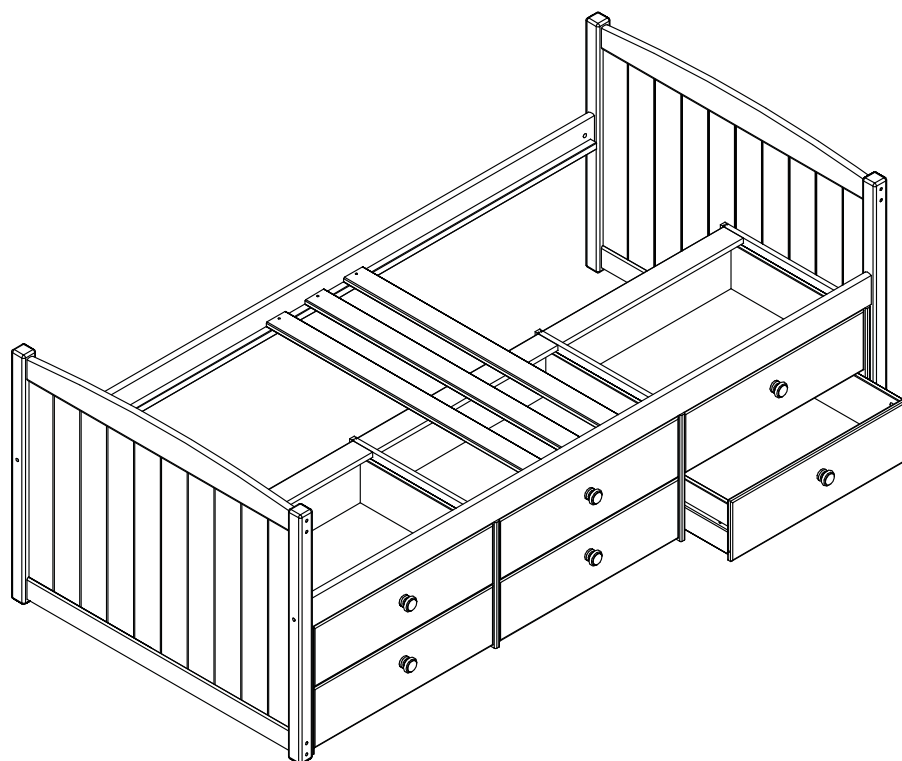
Attach the drawer to the drawer runners **E** with the machine screws **G** inside to the drawer sides **3** and **4**.

Repeat for all six drawers.



Step 18

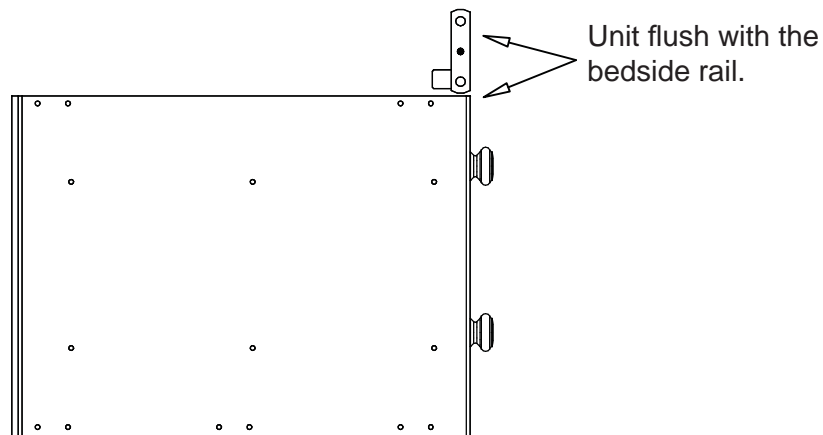
Position the bed where it will be placed in the future, before attaching the 6 drawer underbed unit to the bed. Bed and 6 drawer unit can't be moved together after the unit has been attached to the bed with the 2 brackets.



Assembly Instructions

Step 19

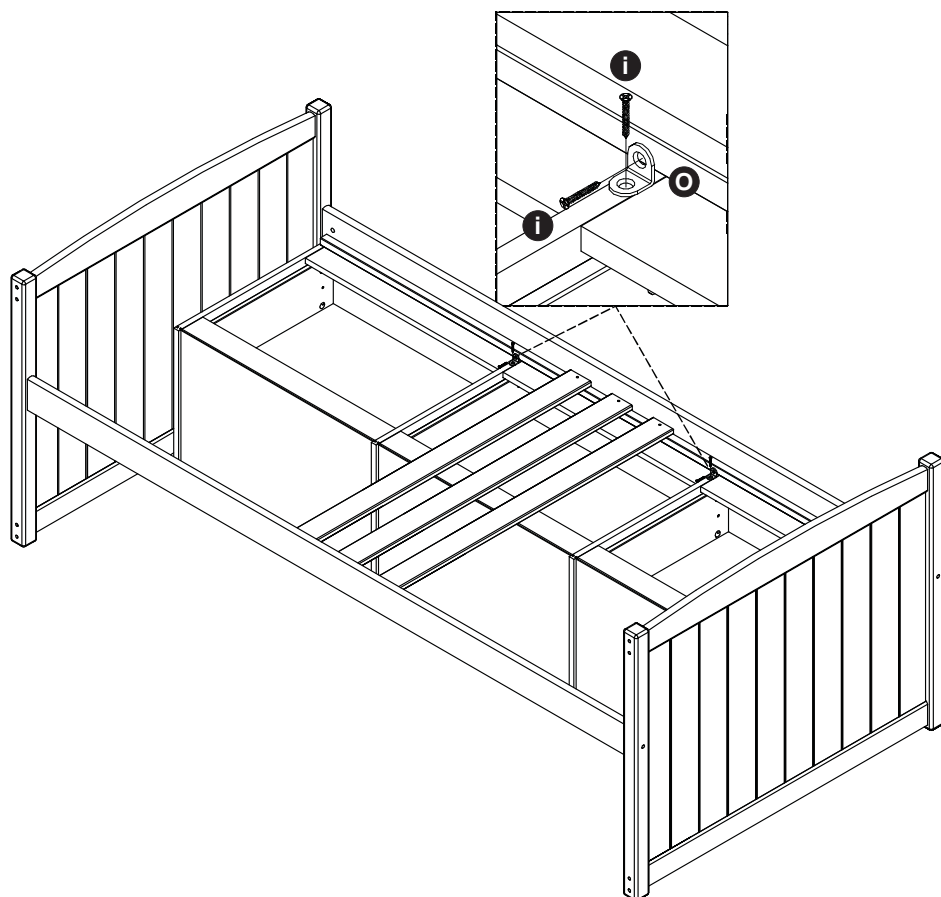
The underbed unit should be flush with the bedside rail.



Step 20

Secure the unit in place with angles **ⓐ** and chipboard screws **ⓑ**.

Assembly is complete.



If you need help or have damaged or missing parts, call the **Customer Helpline: 0045 7668 8055**
E-mail: order@flexa.dk