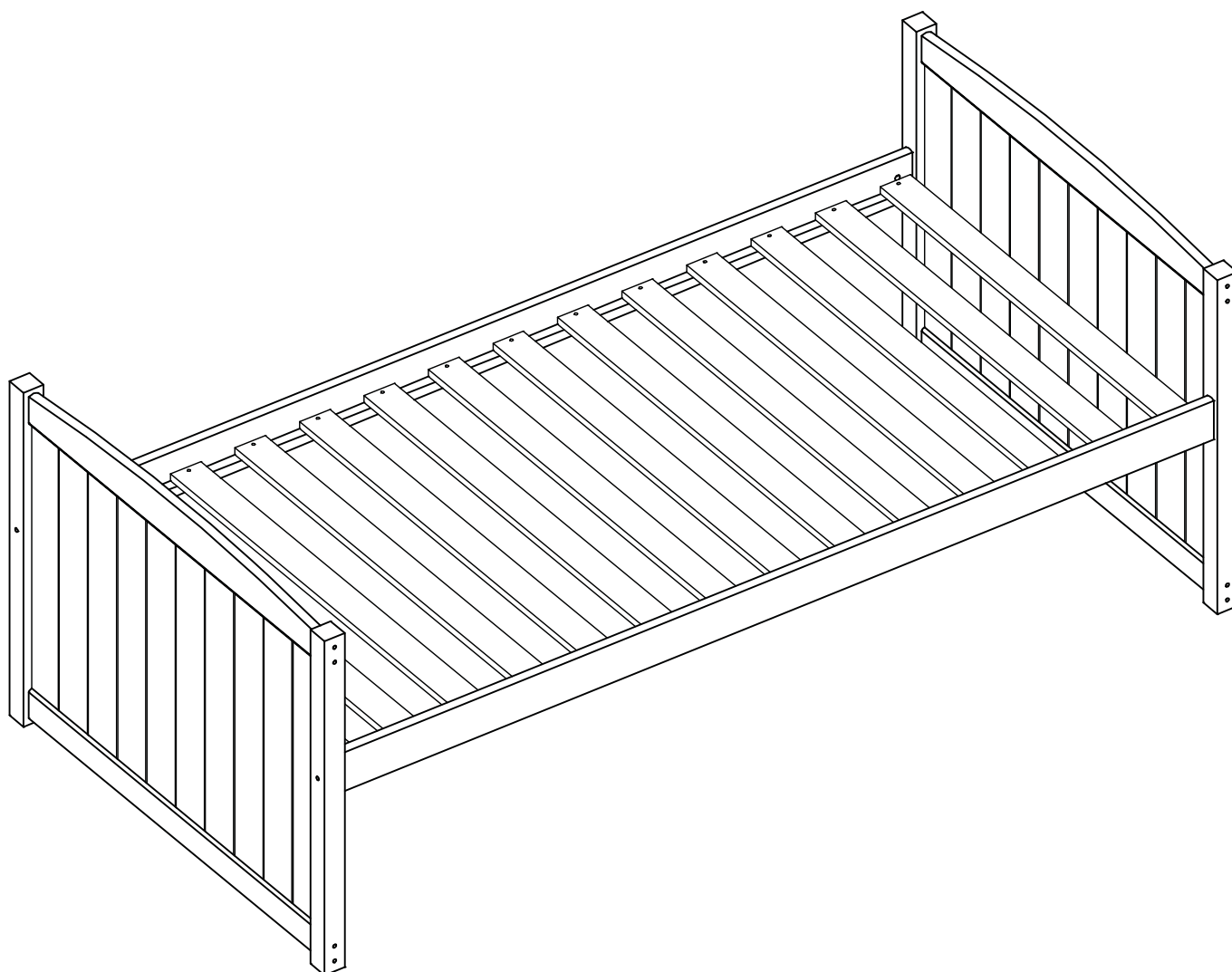


Cabin bed - White

Assembly Instructions - Please keep for future reference

1478538



Dimensions

Length - 195cm

Depth - 96cm

Height - 71cm

Weight - 20kg

Important – Please read these instructions fully before starting assembly

If you need help or have damaged or missing parts, call the **Customer Helpline:**

0045 7668 8055 or e-mail: order@flexa.dk



Safety and Care Advice

Important – Please read these instructions fully before starting assembly

80-10104-20 Cabin bed

IMPORTANT! KEEP FOR FUTURE REFERENCE

PLEASE DISPOSE OF PACKAGING MATERIAL.
PLASTIC BAGS CAN BE DANGEROUS TO YOUNG CHILDREN

WARNING! Not suitable for children under 4 years.

WARNING! Do not place this child's bed near heat sources, windows and other furniture.

WARNING! Do not use this child's bed if any of the parts are broken, torn or missing.

WARNING! Once assembled, this bed must not be disassembled. Screws must not be removed once inserted.

This child's bed is to be used with a 1900mm x 900mm mattress.

Suitable for children over 4 years to adults.

All assembly fixings should be checked periodically and re-tightened where necessary.

Children are likely to play, bounce, jump and climb on beds, therefore the child's bed should not be placed too close to other furniture or windows, blind cords, curtain pulls or other strings or cords, and should be placed either tight to any wall or have a gap of 300mm between the wall and the side of the bed.

Any additional or replacement parts should only be obtained from the manufacturer or distributor.

This product complies to standard BS8509: 2008+A1:2011

WARNING

**YOUR CHILDREN'S SAFETY
IS YOUR RESPONSIBILITY**

CARE AND MAINTENANCE

To clean use a damp cloth, avoiding the use of strong detergents or abrasives.



Safety and Care Advice

Important – Please read these instructions fully before starting assembly

- Check you have all the components and tools listed on pages 2 and 3.
- Remove all fittings from the plastic bags and separate them into their groups.
- Keep children and animals away from the work area, small parts could choke if swallowed.
- Make sure you have enough space to layout the parts before starting.

- Do not stand or put weight on the product, this could cause damage.
- Assemble the item as close to its final position (in the same room) as possible.
- Assemble on a soft level surface to avoid damaging the unit or your floor.
- Parts of the assembly will be easier with 2 people.



- We do not recommend the use of power drill/drivers **for inserting screws**, as this could damage the unit. Only use hand screwdrivers.
- Dispose of all packaging carefully and responsibly.

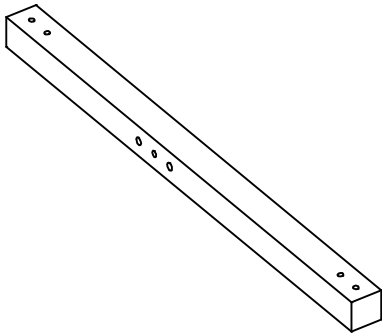
Care and maintenance

- Only clean using a damp cloth and mild detergent, do not use bleach or abrasive cleaners.
- From time to time check that there are no loose screws on this unit.
- This product should not be discarded with household waste. Take to your local authority waste disposal centre.

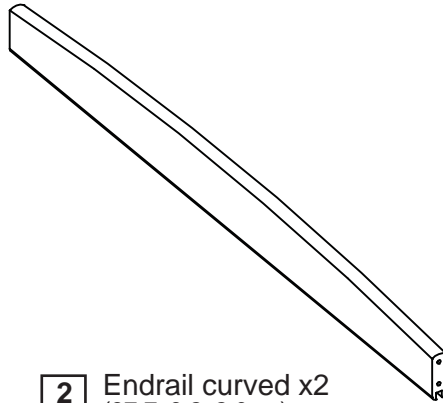
Components - Parts

If you have damaged or missing components, call the **Customer Helpline: 0045 7668 8055**

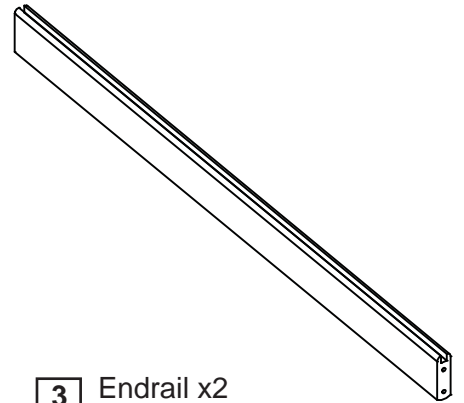
Please check you have all the parts listed below



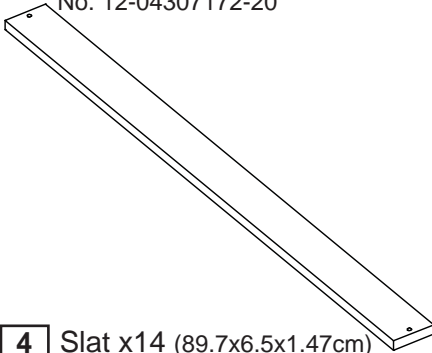
1 Leg x4 (71.7x4.3x4.3cm)
No. 12-04307172-20



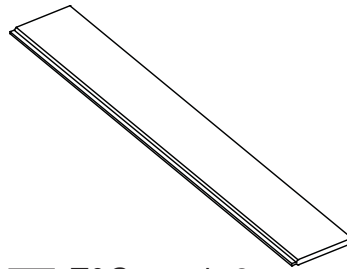
2 Endrail curved x2
(87.7x9.2x2.0cm)
No. 12-02008771-20



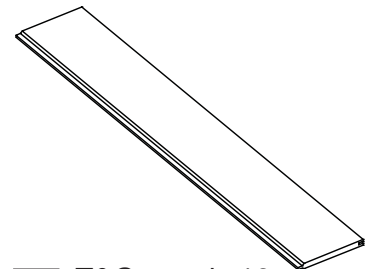
3 Endrail x2
(87.7x6.5x2.0cm)
No. 12-02008772-20



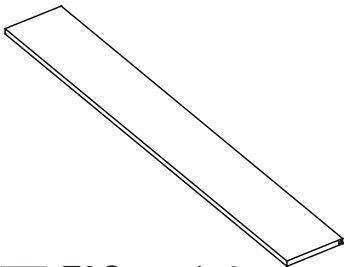
4 Slat x14 (89.7x6.5x1.47cm)
No. 12-01508971



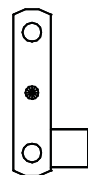
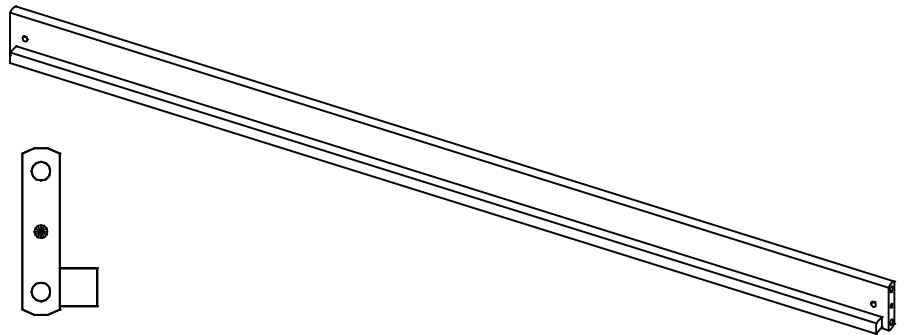
5 T&G panel x2
(58.5x8.7x0.8cm)
No. 12-00805852-20



6 T&G panel x16
(58.5x9.4x0.8cm)
No. 12-00805851-20



7 T&G panel x2
(58.5x8.1x0.8cm)
No. 12-00805853-20

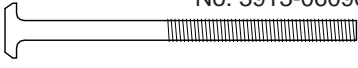

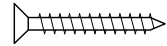

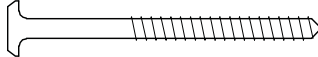


8 Bedside x2
(186.7x8.9x2.0cm)
No. 1305-18673-20

Components - Fittings

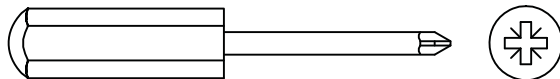
Please check you have all the fittings listed below

Note: The quantities below are the correct amount to complete the assembly. In some cases more fittings may be supplied than are required.

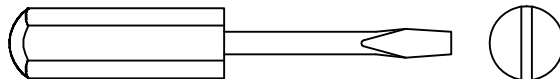
<p>A  No. 3913-06090 M6x90mm Connecting bolt x4</p>	<p>B  No. 3922-06014 M6 ø10x14mm Barrel nut x4</p>	<p>C  No. 3901-40030 4,0x30mm Chipboard screw x28</p>
<p>D  No. 3930-10045 10x45mm Dowel x8</p>	<p>E  No. 3909-63090 6,3x90mm Assembly screw x16</p>	

Tools required

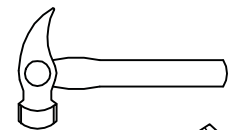
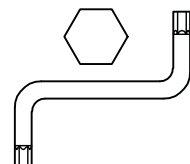
Phillips
screwdriver
(medium)



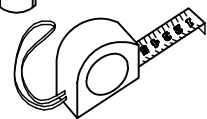
Flatblade
screwdriver
(medium)



Allen key
4mm incl.
No. 4033-004



Small
hammer



Ruler/tape
measure



Eye protection
(when using a
hammer or glue)

Assembly Instructions

Step 1

Attach the dowels **D** to bed sides **8**.

It may be necessary to tap the dowels in very gently with a small hammer.

Step 2

Attach endrails **2** and **3** to leg **1** with screws **E** using the allen key.

Repeat same procedure for second headboard

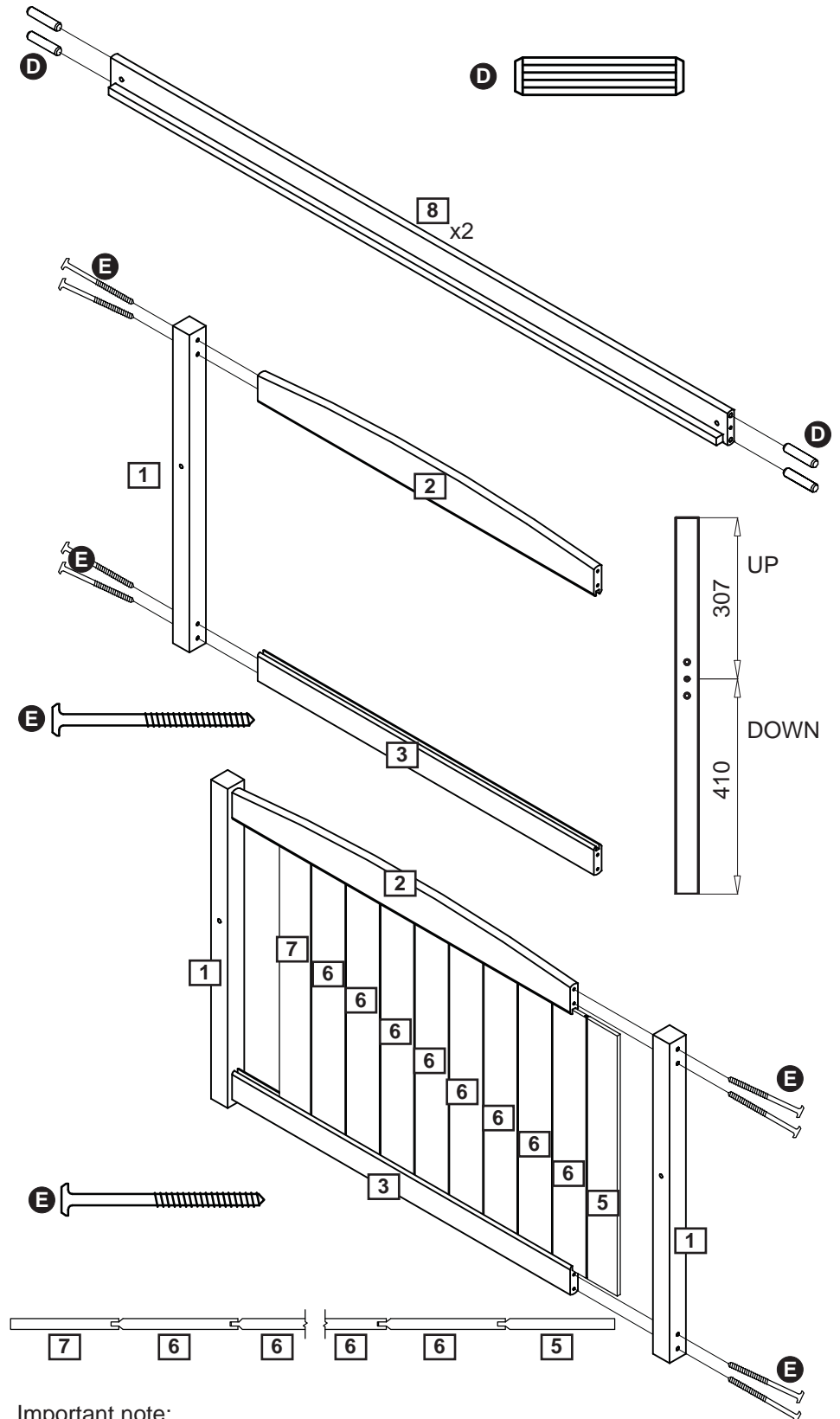
Step 3

Slide T&G panel **7** between endrails **2** and **3**.

Followed by 8 T&G panel **6** and finish with 1 T&G panel **5**.

Attach leg **1** to endrails **2** and **3** with screws **E** using the allen key.

Repeat same procedure for second headboard



Important note:

A variation of the width of the panels of $\pm 2-3\%$ has to be expected as wood is a live material, i.e. variation of 2-3 cm per 1 meter.

Leaving some space at the panels, tongue & groove, should be distributed regularly along the bed end.

If there is too little space for the panels, these should be acclimatized for 2-5 days in order to adapt to the humidity of the room.

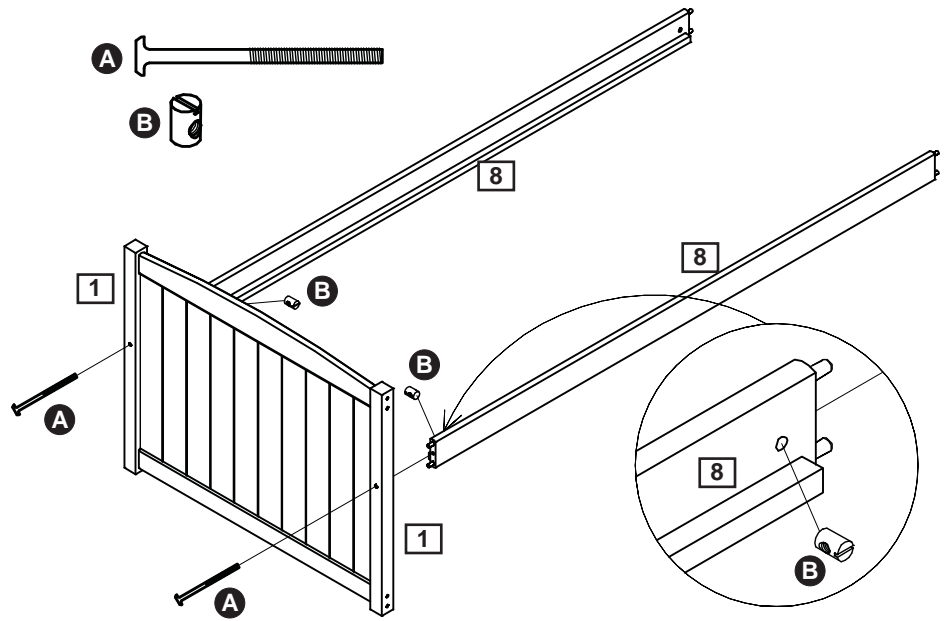
The reason for this problem might be that the wood has absorbed a little moisture during transportation/stocking.

Assembly Instructions

Step 4

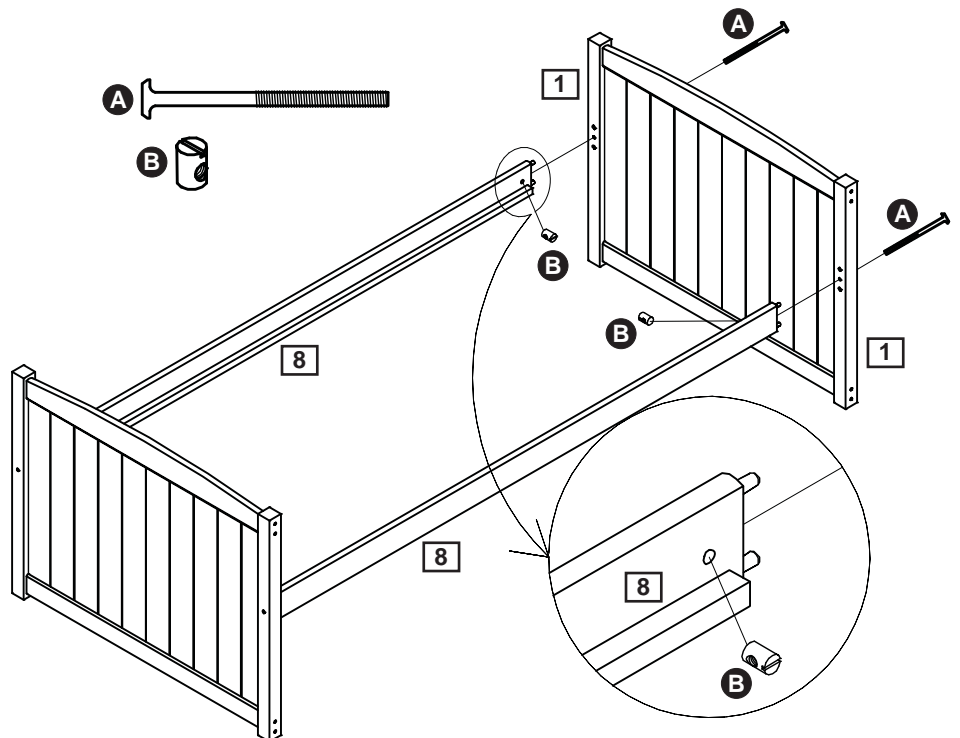
Attach bed sides **8** to the legs **1** by pushing the barrel nuts **B** into the small holes in the bed sides **8**. Push connecting bolts **A** through the legs **1** to meet the barrel nuts **B**.

Then fasten with the allen key.



Step 5

Repeat same procedure as described in "Step 4"



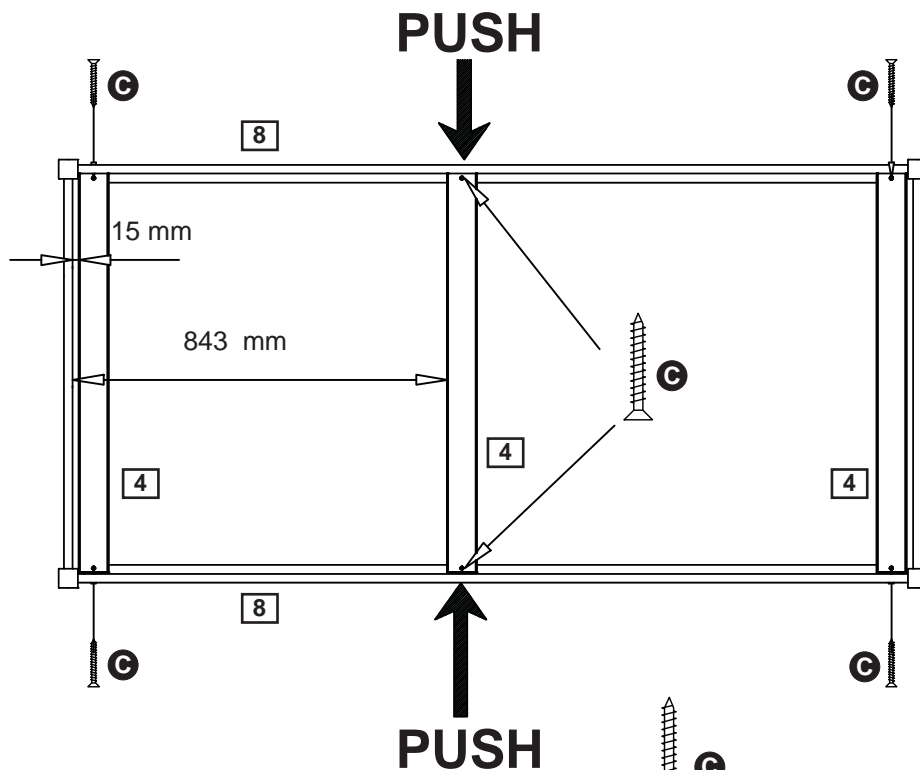
Assembly Instructions

Step 6

Place one slat **4** in the centre of the bed. Follow the measurement .

Place two slats **4** in the ends of the bed. Follow the measurement .

Push the bedsides **8** together whilst attaching middle slat **4** to the bed with two chipboard screws **C** .

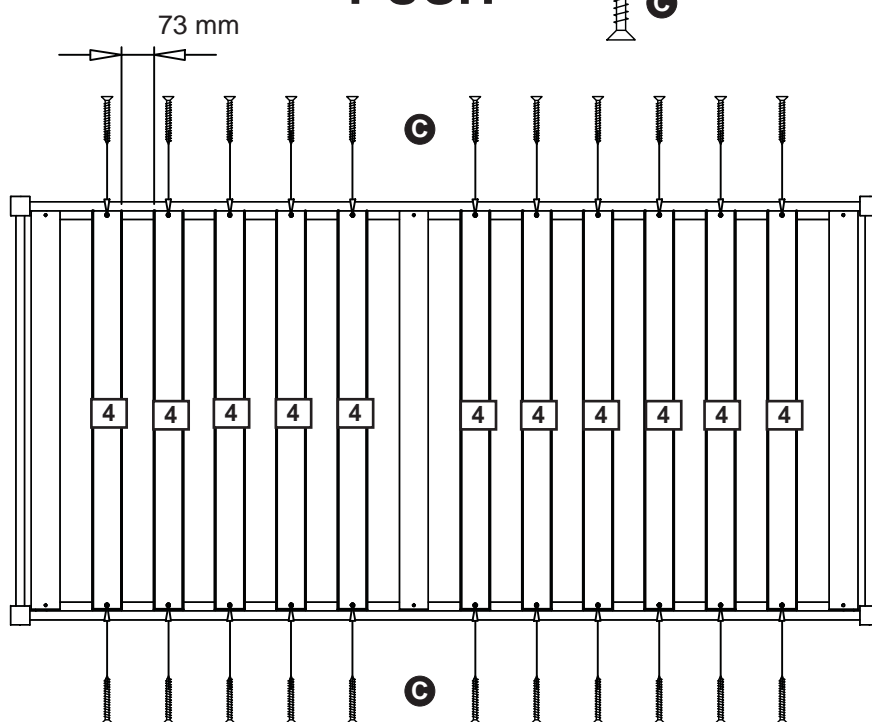


Step 7

Position the remaining eleven slats **4** in the bed with a distance of 73 mm between each.

Fasten each slat with two screws **C**

Assembly is complete.



If you need help or have damaged or missing parts, call the **Customer Helpline: 0045 7668 8055**
E-mail: order@flexa.dk