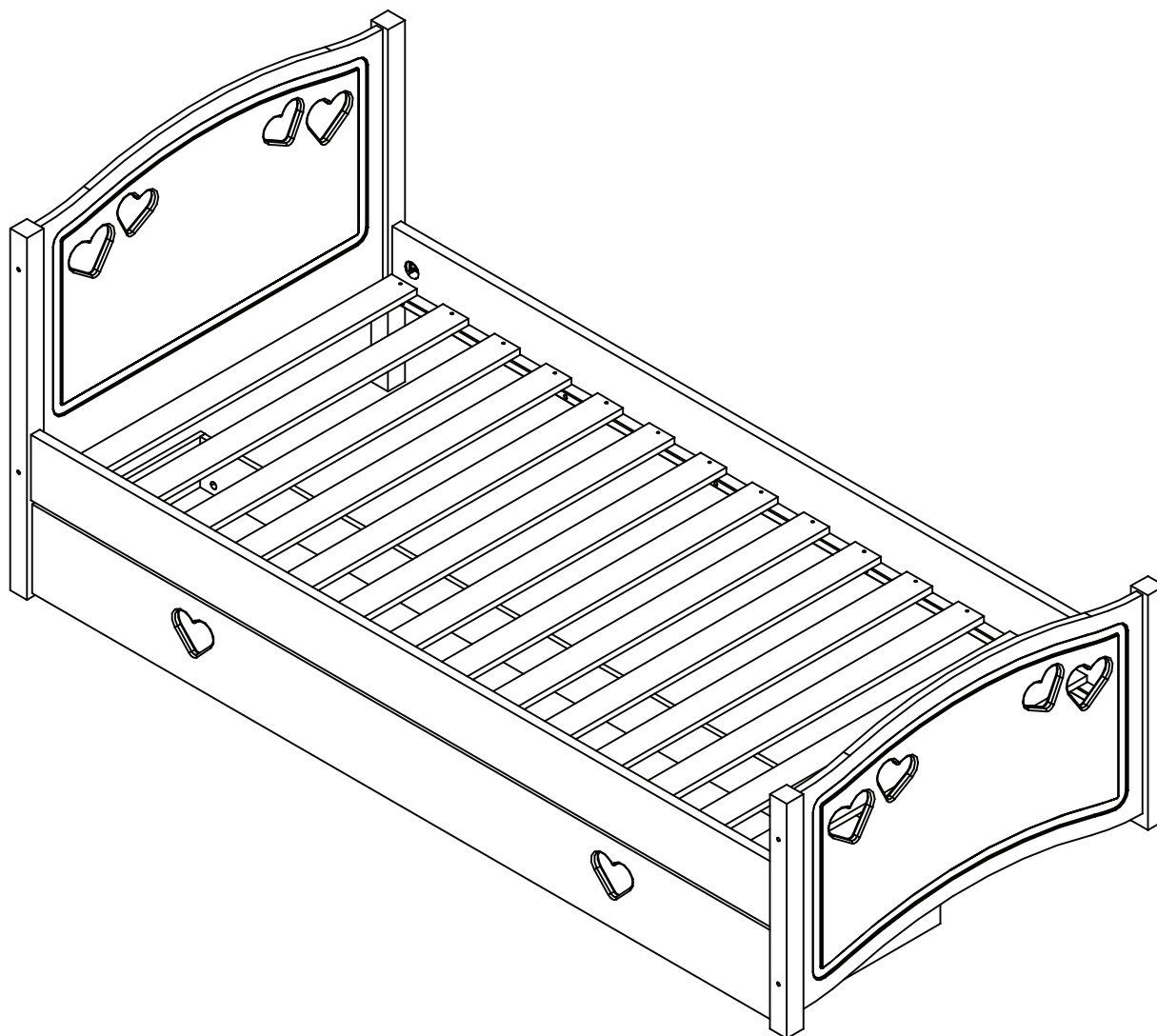


# Mia Single bed Hearts & Drw. White

**IMPORTANT! KEEP FOR FUTURE REFERENCE**

2572141



## Dimensions

Length - 198,3cm

Depth - 96,5cm

Height - 85,5cm

Weight - 42,5kg

**Important – Please read these instructions fully before starting assembly**

If you need help or have damaged or missing parts, call the **Customer Helpline:**

**0045 7668 8055** or e-mail: [order@flexa.dk](mailto:order@flexa.dk)



## Safety and Care Advice

**Important – Please read these instructions fully before starting assembly**

80-27901-20      Singlebed

### IMPORTANT! KEEP FOR FUTURE REFERENCE

PLEASE DISPOSE OF PACKAGING MATERIAL.  
PLASTIC BAGS CAN BE DANGEROUS TO YOUNG CHILDREN

WARNING! Not suitable for children under 4 years.

WARNING! Do not place this child's bed near heat sources, windows and other furniture.

WARNING! Do not use this child's bed if any of the parts are broken, torn or missing.

WARNING! Once assembled, this bed must not be disassembled. Screws must not be removed once inserted.

This child's bed is to be used with a 1900mm x 900mm mattress.

Suitable for over 4 years old to adults.

All assembly fixings should be checked periodically and re-tightened where necessary.

Children are likely to play, bounce, jump and climb on beds, therefore the child's bed should not be placed too close to other furniture or windows, blind cords, curtain pulls or other strings or cords, and should be placed either tight to any wall or have a gap of 300mm between the wall and the side of the bed.

Always place the side of the bed with the safety rail against a wall.

Any additional or replacement parts should only be obtained from the manufacturer or distributor.

This product complies to standard BS8509: 2008+A1:2011

### WARNING

**YOUR CHILDREN'S SAFETY  
IS YOUR RESPONSIBILITY**

#### CARE AND MAINTENANCE

To clean use a damp cloth, avoiding the use of strong detergents or abrasives.

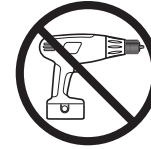


## Safety and Care Advice

### Important – Please read these instructions fully before starting assembly

- Check you have all the components and tools listed on pages 2 and 3.
- Remove all fittings from the plastic bags and separate them into their groups.
- During assembly children should be kept away from the product due to possible risk of injury.
- Make sure you have enough space to lay out the parts before starting.

- Do not stand or put weight on the product, this could cause damage.
- Assemble the item as close to its final position (in the same room) as possible.
- Assemble on a soft level surface to avoid damaging the unit or your floor.
- Parts of the assembly will be easier with 2 people.



- We do not recommend the use of power drill/drivers **for inserting screws**, as this could damage the unit. Only use hand screwdrivers.
- Dispose of all packaging carefully and responsibly.
- Assembly to be carried out by a competent adult only.

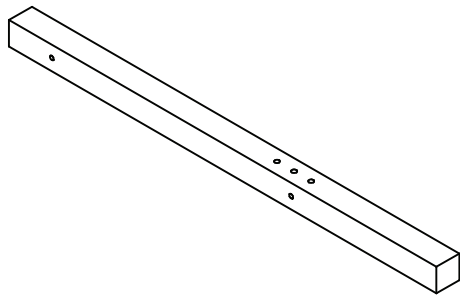
### Care and maintenance

- Only clean using a damp cloth and mild detergent, do not use bleach or abrasive cleaners.
- From time to time check that there are no loose screws on this unit.
- This product should not be discarded with household waste. Take to your local authority waste disposal centre.

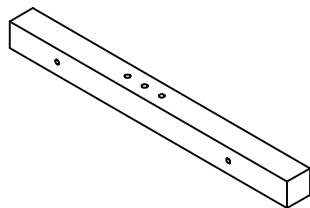
# Components - Parts

If you have damaged or missing components, call the **Customer Helpline: 0045 7668 8055**

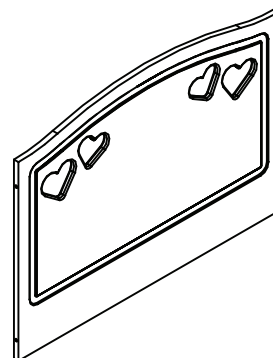
Please check you have all the parts listed below



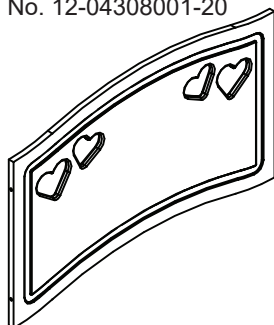
**1** Leg x2 (80,0x4,3x4,3cm)  
No. 12-04308001-20



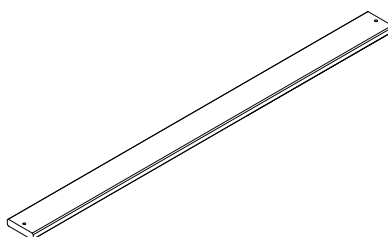
**2** Leg x2 (51,9x4,3x4,3cm)  
No. 12-04305191-20



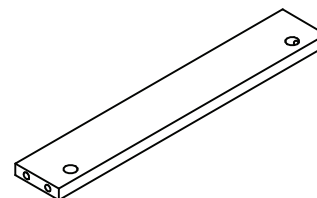
**3** End panel x1  
(87,9x64,0x1,6cm)  
No. 4301-1608792-40



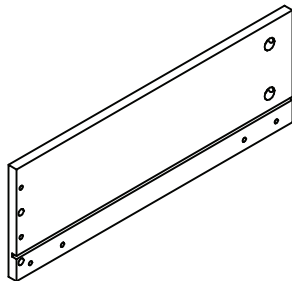
**4** End panel x1  
(87,9x48,4x1,6cm)  
No. 4301-1608791-40



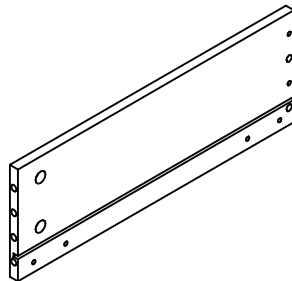
**5** Slat x15 (89,7x6,5x1,5cm)  
No. 12-01508971



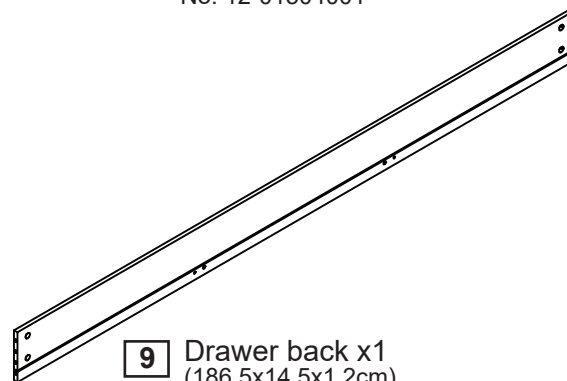
**6** Base list x2  
(40,0x6,5x1,5cm)  
No. 12-01504001



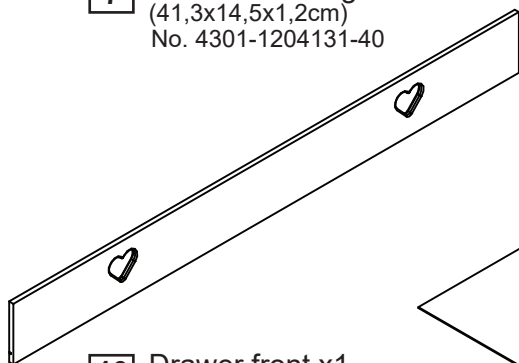
**7** Drawer side Right x1  
(41,3x14,5x1,2cm)  
No. 4301-1204131-40



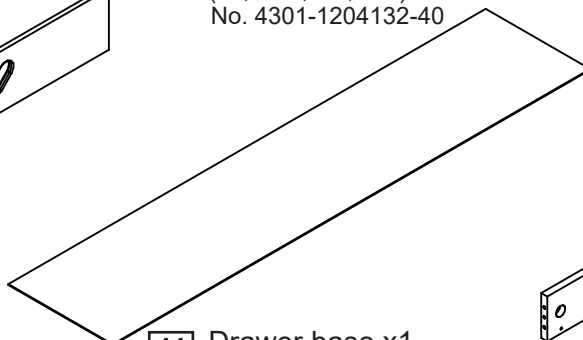
**8** Drawer side Left x1  
(41,3x14,5x1,2cm)  
No. 4301-1204132-40



**9** Drawer back x1  
(186,5x14,5x1,2cm)  
No. 4301-1218651-40



**10** Drawer front x1  
(189,1x19,7x1,6cm)  
No. 4301-1618911-40



**11** Drawer base x1  
(187,6x41,1x0,3cm)  
No. 4309-0318761



**12** Bedside x2  
(189,7x14,5x2,2cm)  
No. 4301-2218971-40

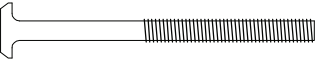

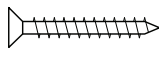








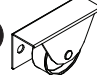
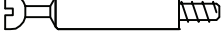
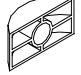
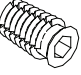
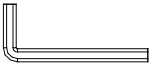
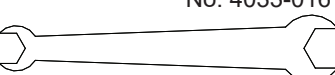
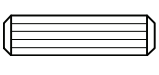


**13** List x2 (187,0x2,6x2,0cm)  
No. 12-02018703

# Components - Fittings

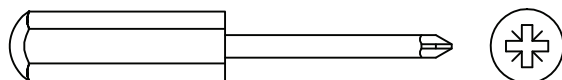
Please check you have all the fittings listed below

Note: The quantities below are the correct amount to complete the assembly. In some cases more fittings may be supplied than are required.

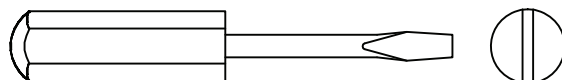
<b>A</b>  No. 3913-06080 M6x80mm Connecting bolt x8	<b>B</b>  No. 3922-060131 M6 ø10x13mm Barrel nut x8	<b>C</b>  No. 3901-40030 4,0x30mm Chipboard screw x30
<b>D</b>  No. 3903-40035 4,0x35mm Chipboard screw x2	<b>E</b>  No. 3907-61011 6,1x11mm Euro screw x8	<b>F</b>  No. 3908-70040 7,0x40mm Conformat screw x20
<b>G</b>  No. 3921-06070 M6x70mm Threaded pin x4	<b>H</b>  No. 3927-000066 M6x10mm Nut x4	<b>I</b>  No. 3930-08040 8x40mm Dowel x8
<b>J</b>  No. 3933-15010 ø15x9,5mm Minifix cam x12	<b>K</b>  No. 3940-000111 ø12/ø6,5x11mm Spacer x2	<b>L</b>  No. 4003-003 ø35mm Castor x4
<b>M</b>  No. 4020-007 ø7x34mm Minifix bolt x12	<b>N</b>  No. 4024-005 ø35x8,6x15mm Bracket x4	<b>O</b>  No. 4028-021 M6/ø12x20mm Threaded bush x4
<b>P</b>  No. 4033-010 6mm Hexagon key x1	<b>Q</b>  No. 4033-016 13/10 Cresent wrench x1	<b>R</b>  No. 3930-08030 8x30mm Dowel x12

## Tools required

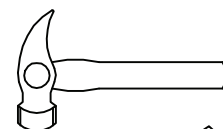
Phillips  
screwdriver  
(medium)



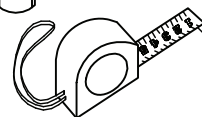
Flatblade  
screwdriver  
(medium)



Allen key  
4mm incl.  
No. 4033-002



Small  
hammer



Ruler/tape  
measure



Eye protection  
(when using a  
hammer or glue)

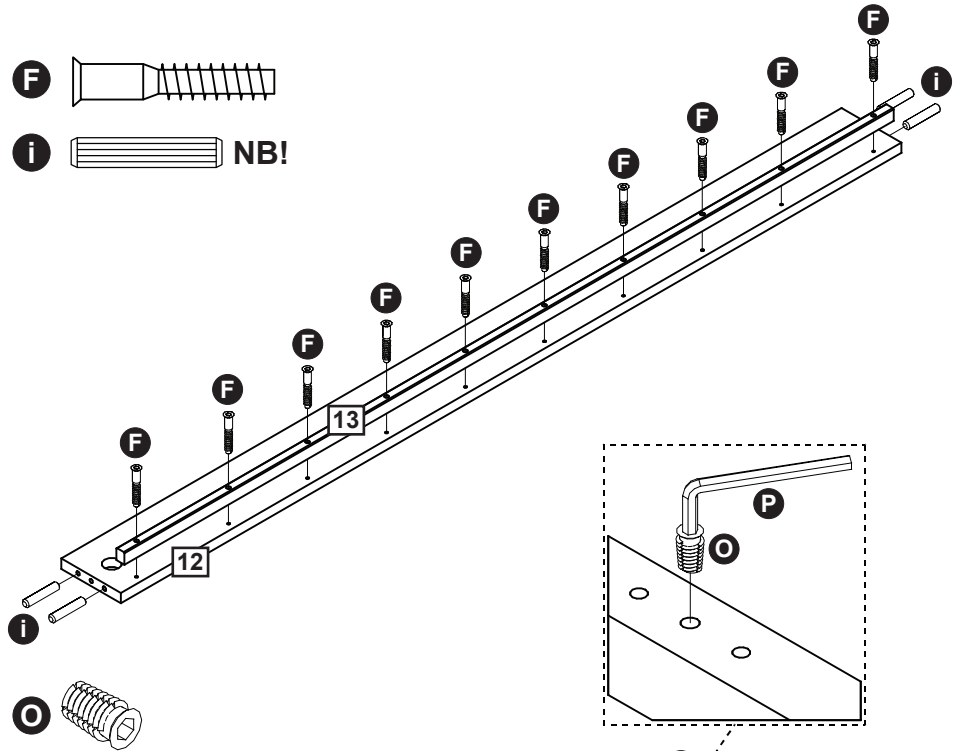
# Assembly Instructions

## Step 1

Insert the **40mm dowels** **i** into the holes in bed sides **12**.

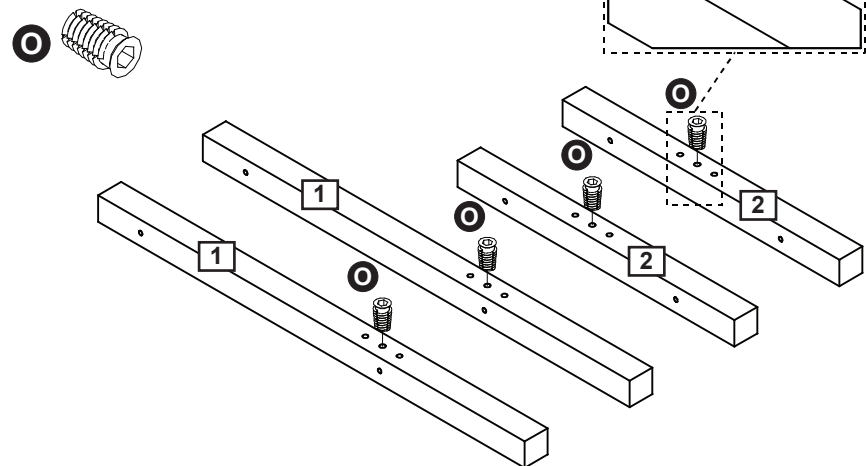
It may be necessary to tap the dowels in very gently with a small hammer.

Attach the lists **13** to the bed sides **12** using screws **F**



## Step 2

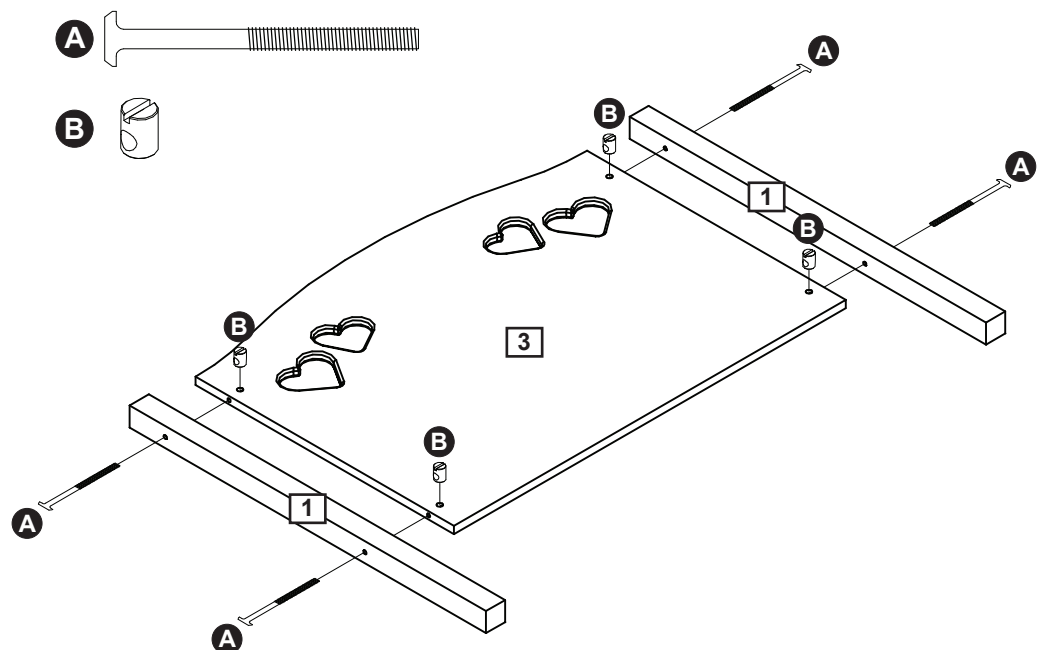
Insert threaded bushes **O** into the shown holes in legs **1** and **2** with the 6mm allen key **P**.



## Step 3

Insert four barrel nuts **B** into the holes in end panel **3**. Attach legs **1** to end panel **3** using bolts **A**.

**Note the placement of the legs - grooves in the end panel are facing the side with the 3 holes for the bed sides.**



# Assembly Instructions

## Step 4

Insert four barrel nuts **B** into the holes in end panel **4**. Attach legs **2** to end panel **4** using bolts **A**.

**Note the placement of the legs - grooves in the end panel are facing the opposite direction of the 3 holes for the bedsides.**

## Step 5

Insert threaded pins **G** into the threaded bushes installed in legs **1** and **2**.

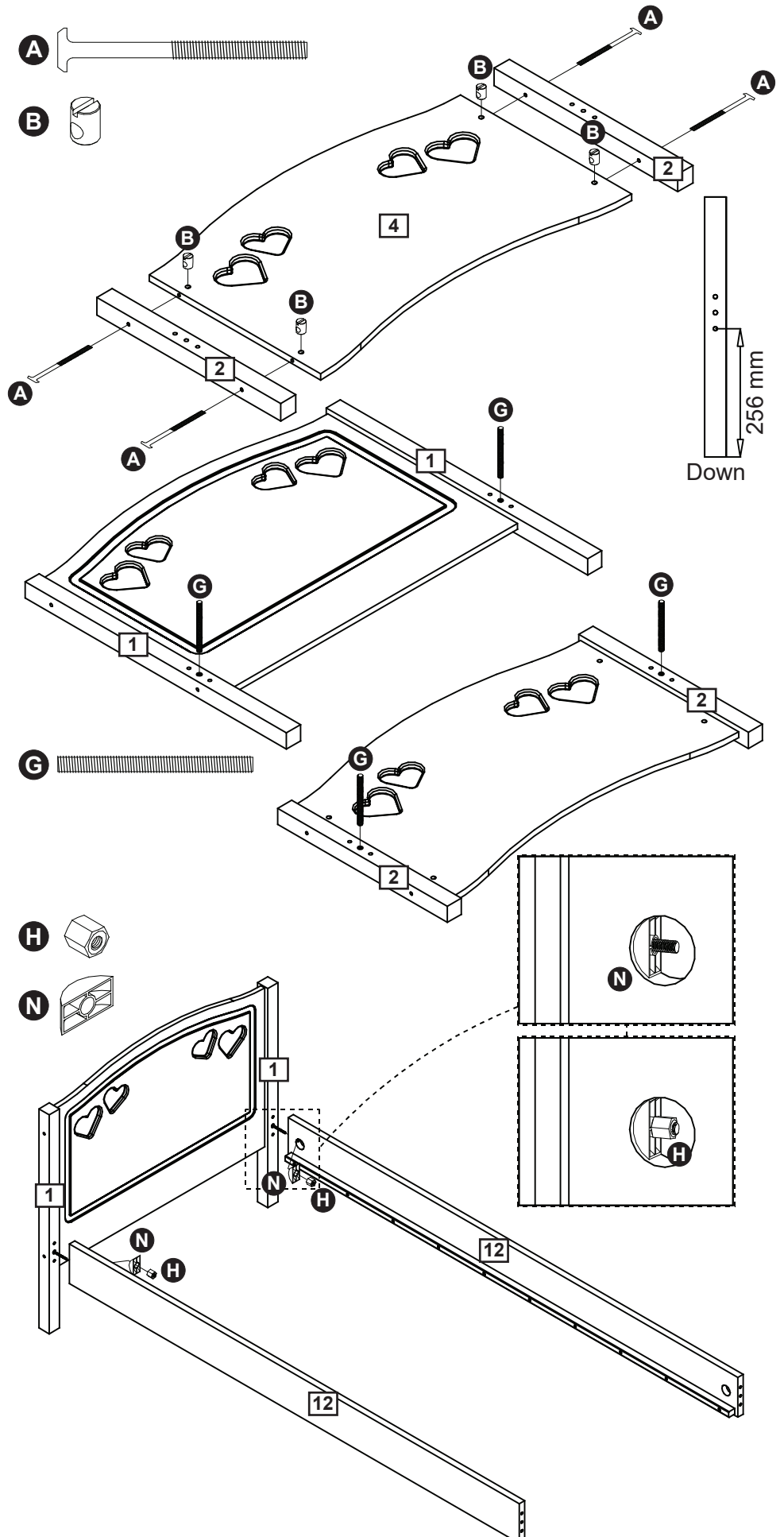
## Step 6

Insert brackets **N** into the holes in bedsides **12**.

Attach the bedsides **12** to the headboard by inserting the dowels in bedsides **12** into the holes on legs **1**.

Insert nuts **H** into the holes in bedsides and tighten the nuts with the wrench **Q**.

**Don't overtighten.**



# Assembly Instructions

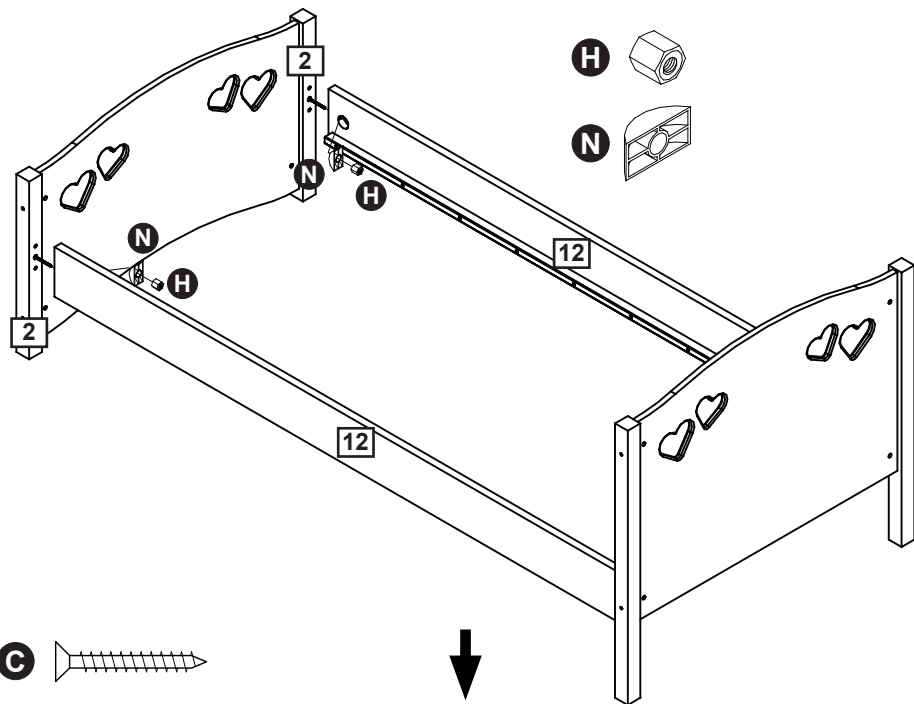
## Step 7

Insert brackets **N** into the holes in bedsides **12**.

Attach the bedsides **12** to the headboard by inserting the dowels in bedsides **12** into the holes on legs **2**.

Insert nuts **H** into the holes in bedsides and tighten the nuts with the wrench **Q**.

**Don't overtighten.**

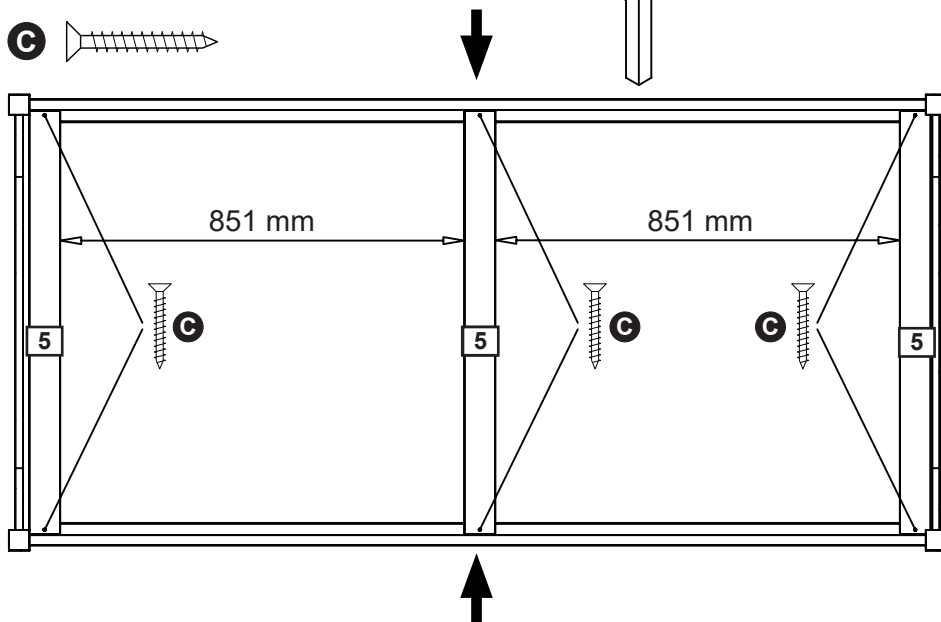


## Step 8

Place two slats **5** in the ends of the bed, against the legs. Fasten with four chipboard screws **C**.

Place one slat **5** in the middle of the bed. Follow the measurements.

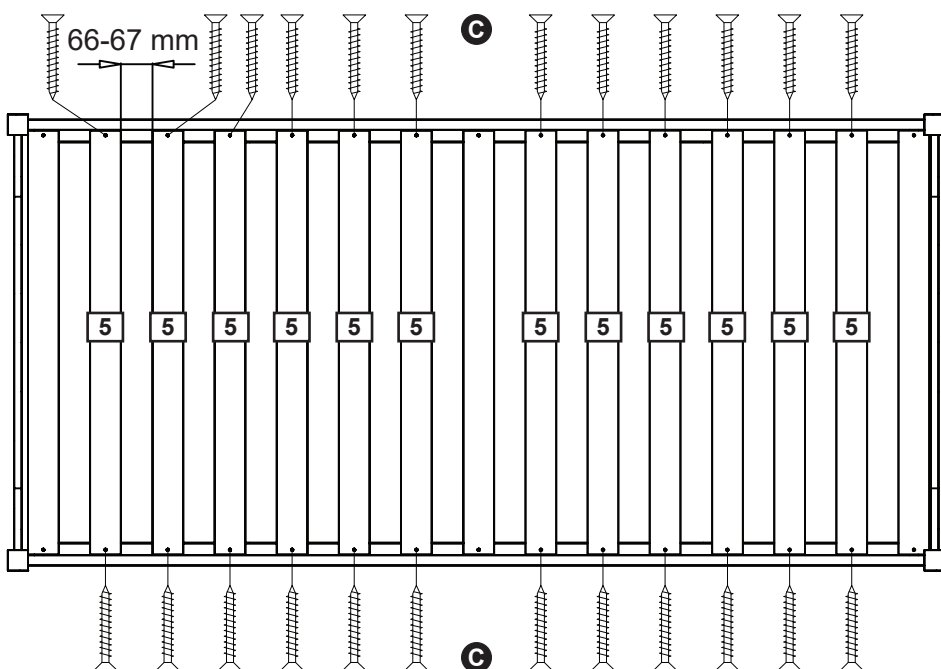
Push the bedsides **12** together whilst attaching middle slat **5** to the bed with two chipboard screws **C**.



## Step 9

Position the remaining twelve slats **5** in the bed with an approximate distance of 66-67 mm between each.

Fasten each slat with two screws **C**.



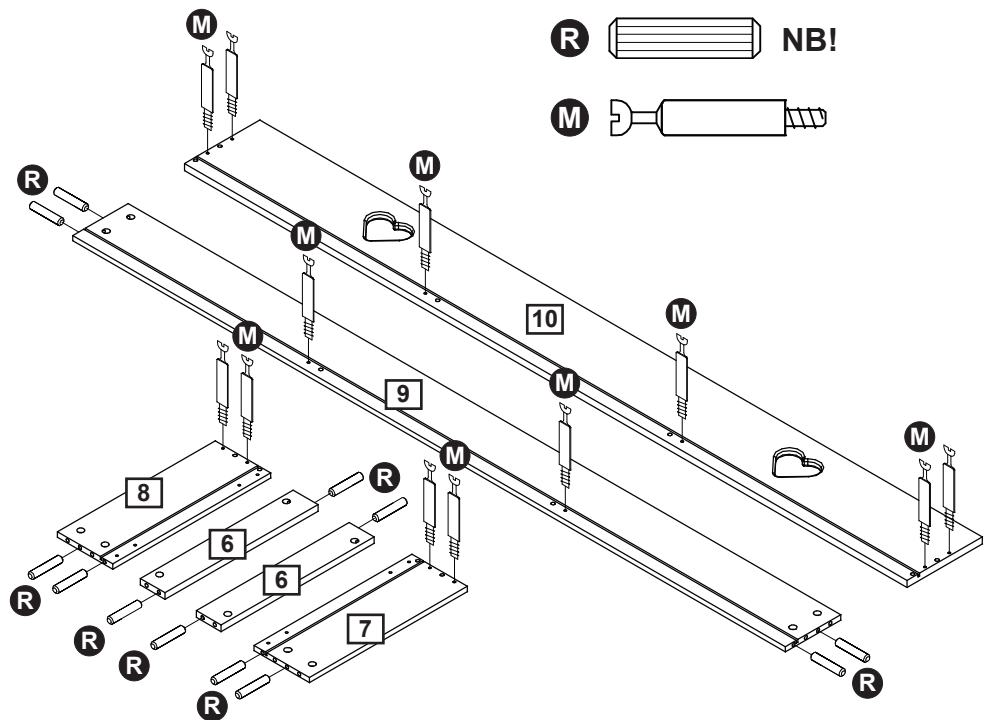


# Assembly Instructions

## Step 10

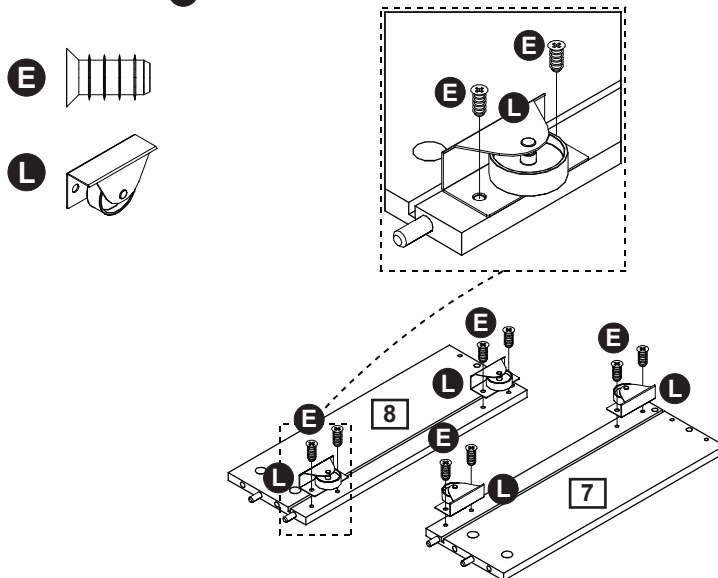
Insert minifix bolts **M** into the shown holes in drawer front **10**, drawer back **9** and drawer sides **7** and **8**.

Insert **30mm dowels R** into the shown holes in drawer sides **7** and **8**, drawer back **9** and base lists **6**.



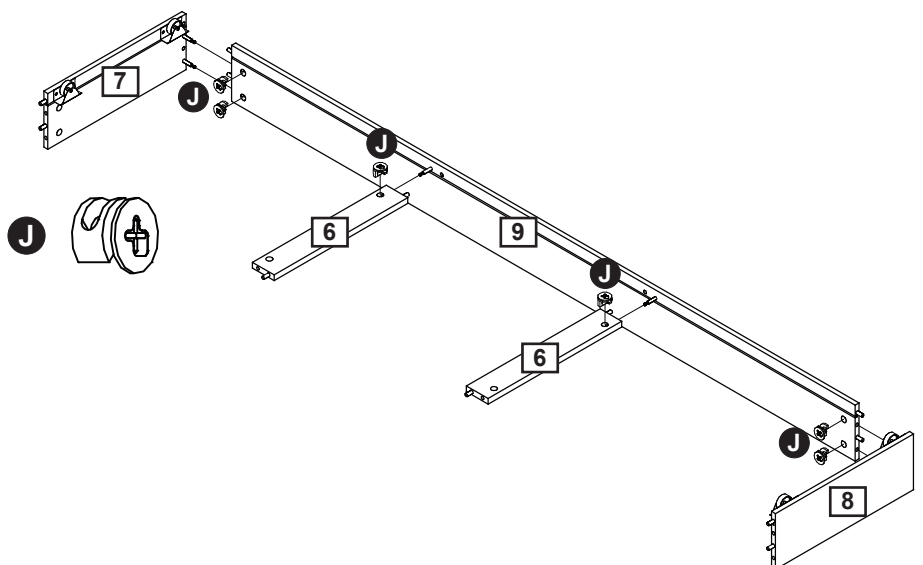
## Step 11

Attach castors **L** to the drawer sides **7** and **8** using screws **E**.



## Step 12

Assemble the drawer sides **7** and **8**, base lists **6** and drawer back **9** using minifix cams **J**.

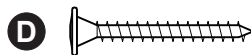
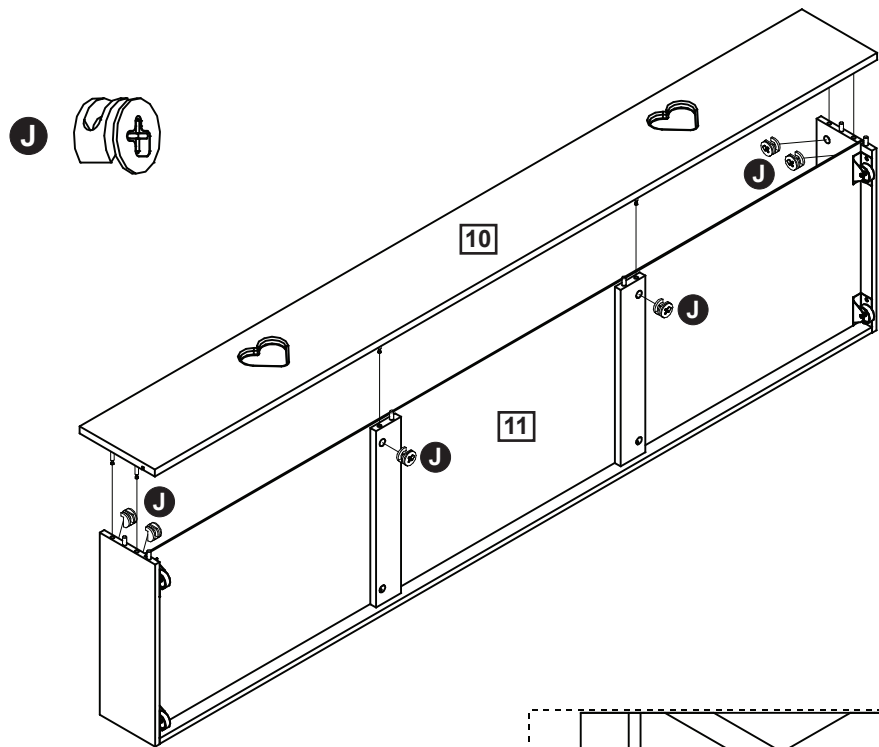


# Assembly Instructions

## Step 13

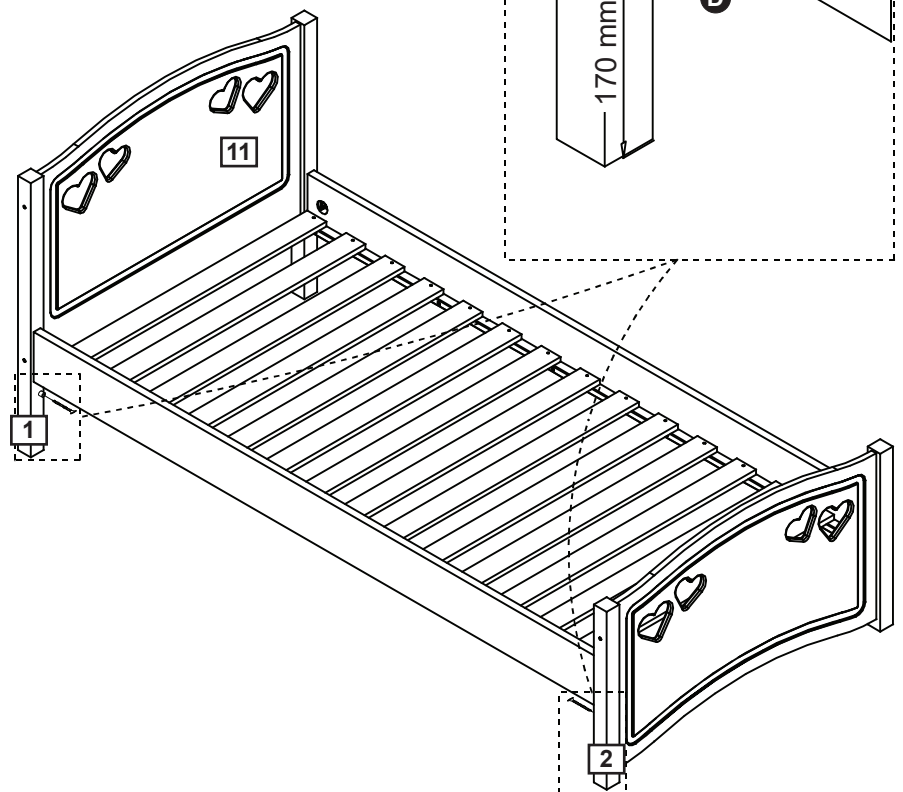
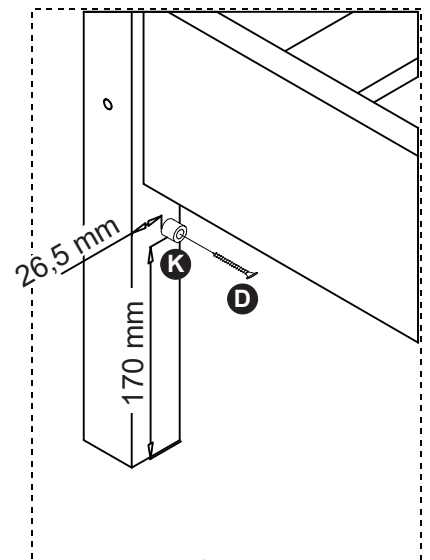
Slide the drawer base **11** into the drawer.

Attach drawer front **10** using minifix cams **J**.



## Step 14

Attach drawer stop spacers **K** to the legs **1** and **2** using screws **D**. Follow the measurements.



**Assembly is complete.**

If you need help or have damaged or missing parts, call the **Customer Helpline: 0045 7668 8055**  
E-mail: [order@flexa.dk](mailto:order@flexa.dk)

# Your 2 Year Guarantee

## Peace Of Mind

### Knowing Your Furniture Is Protected

Protection received within the Manufacturer's Guarantee	Optional Added Protection with Furniture Care
Covers you for manufacturing defects for 2 years.	Covers you for <b>accidental damage</b> up to 3 years for incidents such as household spills, rips, tears and burns. Accidental damage cover begins from the moment your plan starts.
In the event of a problem within this time please call <b>0345 640 0800</b> , or visit an Argos store. Please retain your receipt and order number as proof of purchase.	If you want to purchase Furniture Care visit <b><a href="https://argos.productaftercare.co.uk">https://argos.productaftercare.co.uk</a></b> or go into an Argos store.
Key exclusions applying to both the Manufacturer's Guarantee and Furniture Care include where the fault is due to misuse, abuse, deliberate damage, wear and tear, neglect, use in contravention with the instructions, or if the product has been the subject of unauthorised alterations or commercial use (for full list of exclusions please visit <b><a href="https://argos.productaftercare.co.uk">https://argos.productaftercare.co.uk</a></b> or visit an Argos store for more information). You have up to 45 days post purchase to take out Furniture Care. Terms and conditions apply. Your statutory rights remain unaffected.	

## Register

### For Your Manufacturer's Guarantee

Thank you for choosing Argos Home.  
We hope you love your shiny new things!

To provide you with the best possible after sales service, don't forget to visit **<https://argos.productaftercare.co.uk>** where you can **register** for your guarantee.

Once you've registered, you can upload your receipt to store safely online, alongside details of our after sales support service, ready at hand should you need it.

You can also take out Furniture Care which protects you against accidental damage, from the moment you take the plan out, to keep your new furniture looking newer for longer.

**Register Today**

<https://argos.productaftercare.co.uk>