

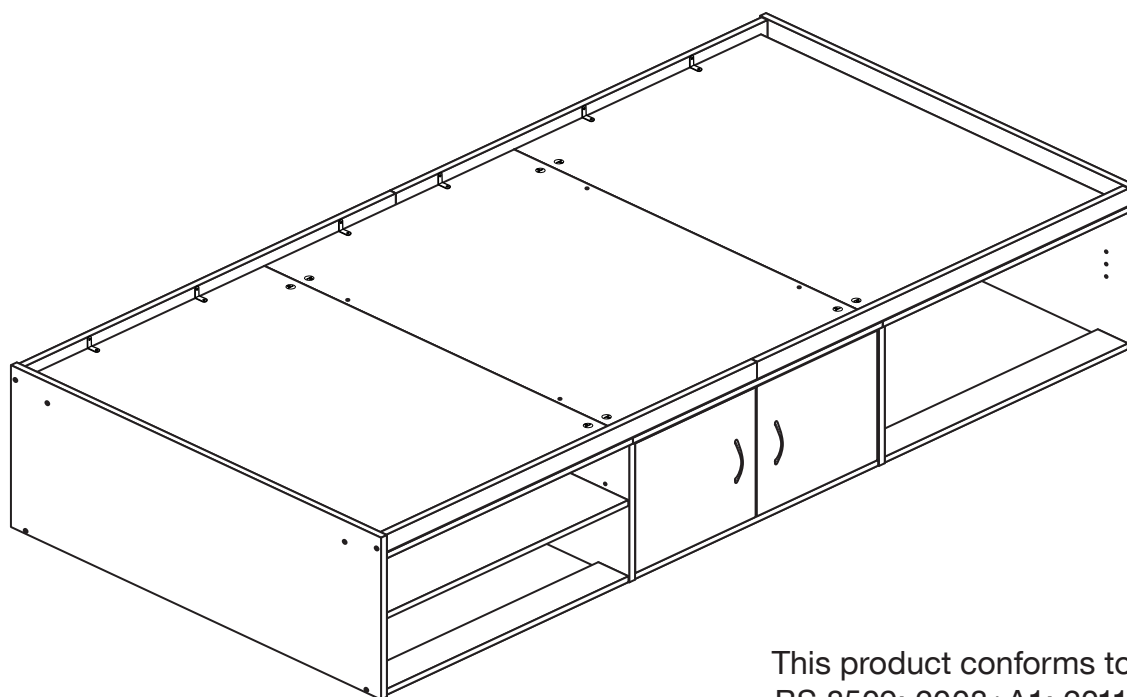
Declan - Cabin Bed

483/4571

497/9326

IMPORTANT!
KEEP THESE ASSEMBLY INSTRUCTIONS
FOR FUTURE REFERENCE

WARNING!
NOT SUITABLE FOR CHILDREN
UNDER 4 YEARS OF AGE .



This product conforms to
BS 8509: 2008+A1: 2011

Dimensions

Width - 195.5cm

Depth - 96cm

Height - 42cm



**MADE IN
BRITAIN**

Important - Please read these instructions fully before starting assembly

If you need help or have damaged or missing parts, please visit www.argos-support.co.uk
or email: Help@ClickSpares.co.uk (quoting your original order number)

Alternatively, call the Spares Helpline on: 0370 112 1928.

For any other queries please contact the Customer Helpline on: 0345 640 2020



Safety and Care Advice

Important - Please read these instructions fully before starting assembly

- The recommended mattress size is 900mm x 1900mm.
- Minimum mattress height of 200mm to be used.
- **WARNING!** Do not place this child's bed near heat sources, windows and other furniture.
- **WARNING!** Do not use this child's bed if any part is broken, torn or missing.
- **WARNING!** Not suitable for children under 4 years old.
- **WARNING!** Children are likely to play, bounce, jump and climb on beds, therefore the child's bed should not be placed too close to other furniture or windows, blinds or cords, curtain pulls or other strings or cords and should be placed either tight to any wall or have a gap of 300mm between the wall and the side of the bed.
- This unit is not designed to be dismantled for storage or transportation.

IMPORTANT!

On a regular basis please check that the screws and fittings have not become loose as this could present a potential choke hazard.



Safety and Care Advice

Important - Please read these instructions fully before starting assembly

- **Warning:** This unit weighs approximately 50kgs. Please lift with care.

- Check you have all the components and tools listed on pages 3 and 4.

- Remove all fittings from the plastic bags and separate them into their groups.

- Keep children and animals away from the work area, small parts could choke if swallowed.

- Parts of the assembly will be easier with 2 people.

- Make sure you have enough space to layout the parts before starting.

- Do not stand or put weight on the product, this could cause damage.

- Assemble the item as close to its final position (in the same room) as possible.

- Assemble on a soft level surface to avoid damaging the unit or your floor (use opened out unit carton).



- We do not recommend the use of power drill/drivers **for inserting screws**, as this could damage the unit. Only use hand screwdrivers.

- **Safety note:** If there is any chance of this unit being pulled over by children etc. it is recommended that the unit is secured to a wall using suitable fixings (not supplied).

- Dispose of all packaging carefully and responsibly.

Care and maintenance

- Only clean using a damp cloth and mild detergent, do not use bleach or abrasive cleaners.

- From time to time check that there are no loose screws on this unit.

- This product should not be discarded with household waste. Take to your local authority waste disposal centre.

Note: If required the next page can be cut out and used as reference throughout the assembly. Keep this page with these instructions for future reference.

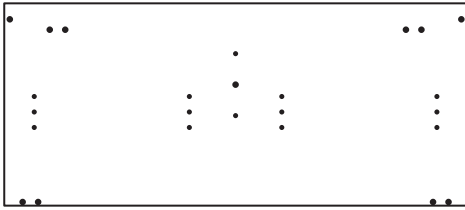
Components - Panels

If you need help or have damaged or missing parts, please visit www.argos-support.co.uk or email: Help@ClickSpares.co.uk (quoting your original order number)

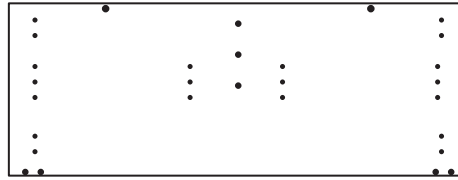
Alternatively, call the Spares Helpline on: 0370 112 1928.

For any other queries please contact the Customer Helpline on: 0345 640 2020

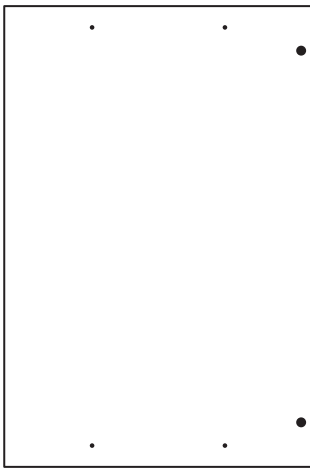
Please check you have all the panels listed below



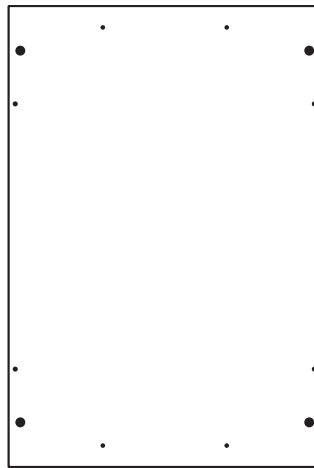
1 End Panel (D3112B)
(95.6 x 41.8cm) x 2



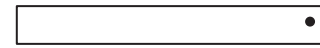
2 Divider (D3114B)
(35.6 x 94.8cm) x 2



3 End Mattress Base (D3120)
(63.75 x 95.2cm) x 2



4 Middle Mattress Base (D3117)
(64.5 x 95.2cm)



5 LH Side Plinth (D3119)
(63 x 7.8cm) x 2



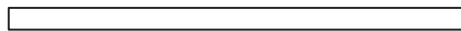
6 Lower Middle Plinth (D3118)
(63 x 7.8cm) x 2



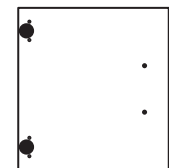
7 RH Side Plinth (D3123)
(63 x 7.8cm) x 2



8 Back Brace (D3113)
(63 x 20cm) x 3



9 Side Rail (D3116)
(96 x 4.5cm) x 4



10 Door (D3115)
(33.5 x 31.1cm) x 2



11 Bed Base (X788-630)
(78.8 x 63cm) x 3



12 Shelf (D3122)
(63 x 46.4cm)



Components - Fittings

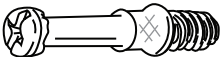


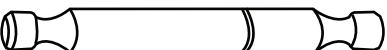







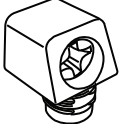

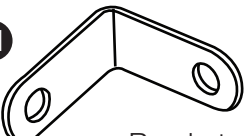

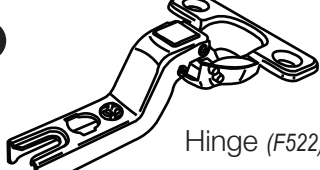
If you need help or have damaged or missing parts, please visit www.argos-support.co.uk or email: Help@ClickSpares.co.uk (quoting your original order number)

Alternatively, call the Spares Helpline on: 0370 112 1928.

For any other queries please contact the Customer Helpline on: 0345 640 2020

Please check you have all the fittings listed below

Note: The quantities below are the correct amount to complete the assembly. In some cases more fittings may be supplied than are required.

A  Metal dowel (F901) x 4	B  Large locking nut (F900) x 28	C  Wooden dowel (F22) x 10	
D  Double metal dowel (F566) x 12	E  Large wooden dowel (F40) x 12	F  50mm Screw (F49) x 12	
G  18mm Screw (F411) x 4	H  13mm Screw (F79) x 24	I  13mm Screw (F63) x 8	J  Shelf support (F121) x 6
K  Allen Key (F36) x 1	L  Mini block (F25) x 4	M  Handle (F273) x 2	
N  Bracket (F945) x 12	O  Hinge plate (F523) x 4	P  Hinge (F522) x 4	

Tools required



Rule



Cross-head screwdriver



Scissors



Hammer



Eye protection (when using a hammer or drill)

Ruler - Use this ruler to help correctly identify the screws



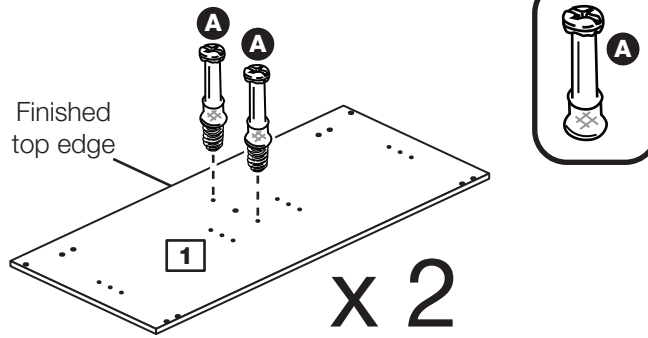
Assembly Instructions

Step 1

Prepare the 2 end panels

Screw 2 metal dowels **A** into each of the 2 end panels **1**.

Note: Tighten the metal dowels up fully against the panels.



Step 2

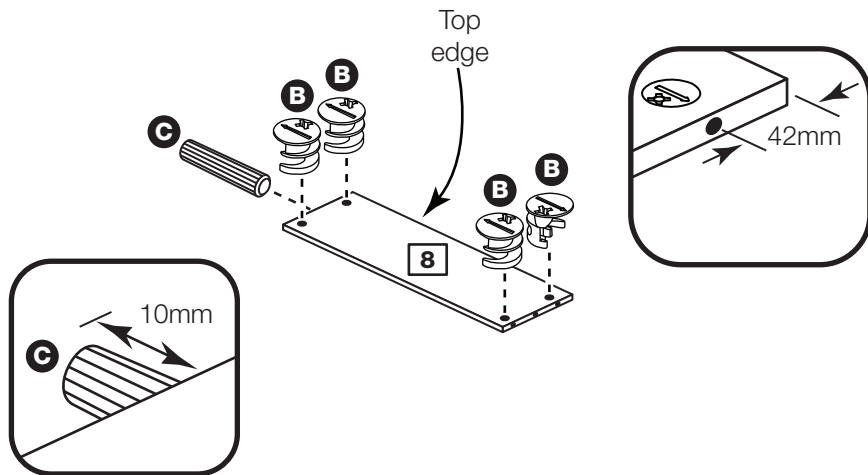
Prepare 1 of the back brace panels

Insert 4 large locking nuts **B** into a back brace **8**.

Note: The arrow on the locking nut **must** point towards the hole in the edge of the panel.

Tap a wooden dowel **C** into the back brace **8**.

Note: Wooden dowels **must not** stick out from the edge by more than 10mm or they may damage other panels.



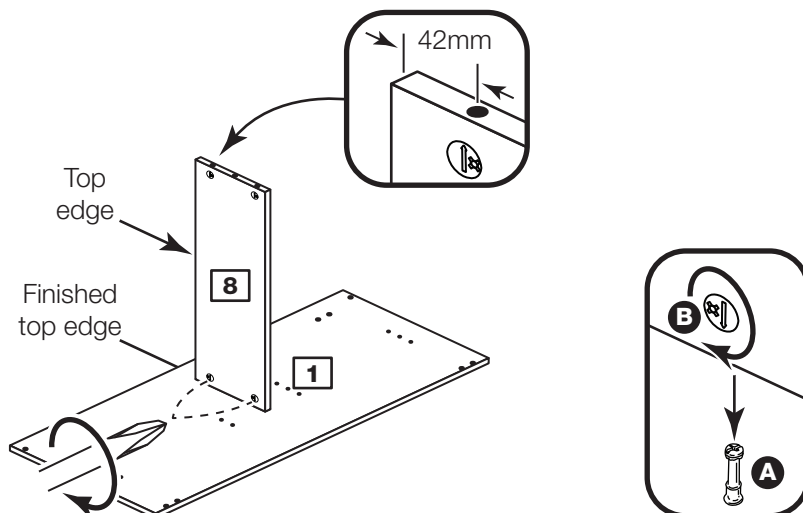
Step 3

Fit the back brace to an end panel

Push the back brace **8** onto an end panel **1**.

Use a screwdriver to tighten the 2 large locking nuts **B** fitted to the back brace **8**.

Note: Turn the large locking nuts **B** as far as they will go - more than 1/2 a turn.



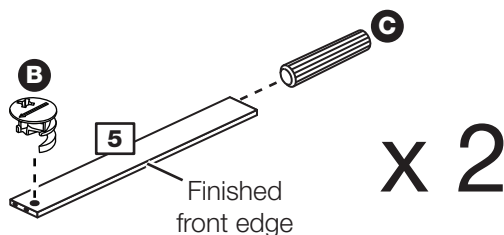
Assembly Instructions

Step 4

Prepare the 2 left plinths

Insert a large locking nut **B** into each of the 2 left plinths **5**.

Tap a wooden dowel **C** into each of the 2 left plinths **5**.



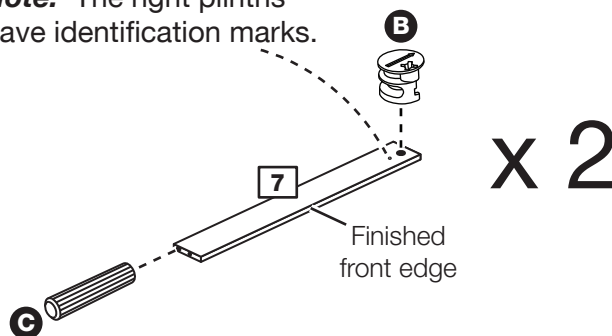
Step 5

Prepare the 2 right plinths

Insert a large locking nut **B** into each of the 2 right plinths **7**.

Tap a wooden dowel **C** into each of the 2 right plinths **7**.

Note: The right plinths have identification marks.

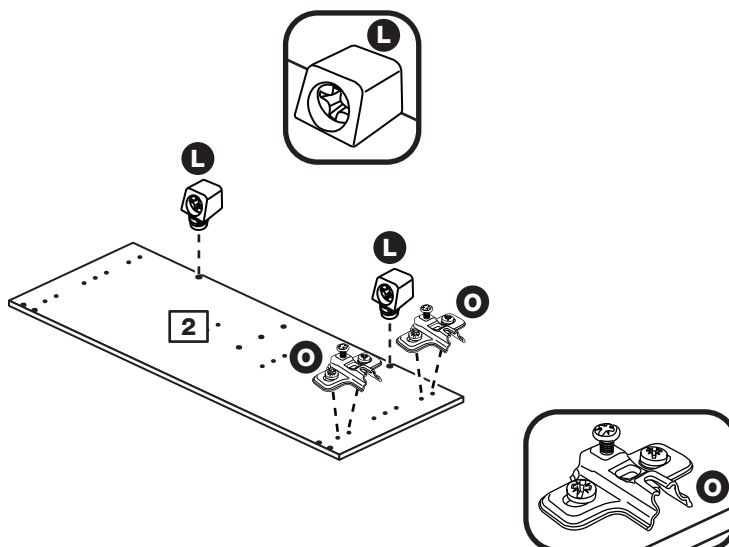


Step 6

Prepare 1 of the divider panels

Fit 2 hinge plates **O** onto a divider **2**, making sure that the slot is facing towards the finished front edge.

Gently tap 2 mini blocks **L** into the divider **2**, orientated as shown.



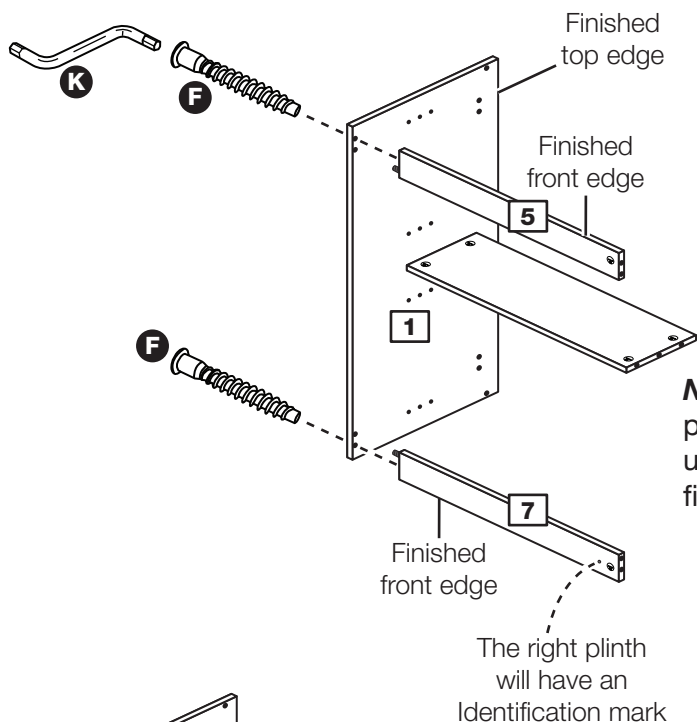
Assembly Instructions

Step 7

Fit a right plinth and a left plinth

Attach a right plinth **7** to the end panel **1** using 1 screw **F** and tighten it using the allen key **K**.

Attach a left plinth **5** to the end panel **1** using 1 screw **F** and tighten it using the allen key **K**.

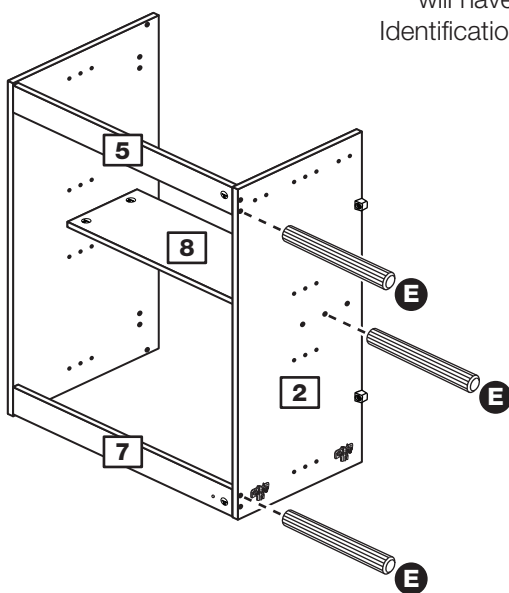


Note: Support the left plinth and the back brace until the divider has been fitted in the next step.

Step 8

Fit the divider

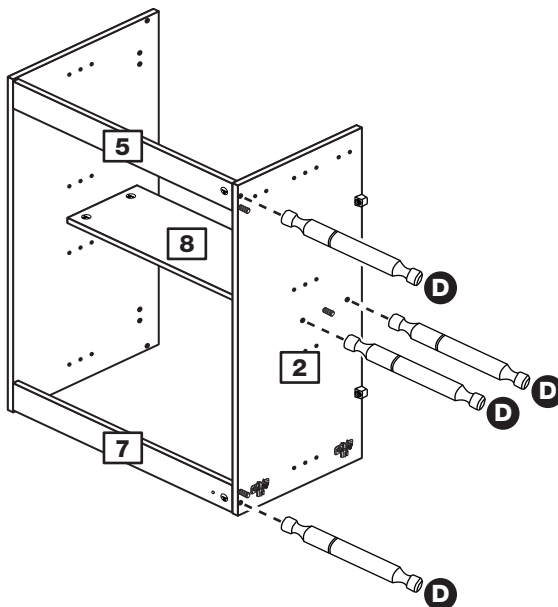
Tap 3 large wooden dowels **E** through the divider **2** and into the left plinth **5**, the right plinth **7** and the back brace **8** until they "bottom out".



Step 9

Fit the double metal dowels

Tap 4 double metal dowels **D** through the divider **2** and into the left plinth **5**, the right plinth **7** and the back brace **8** until they "bottom out".

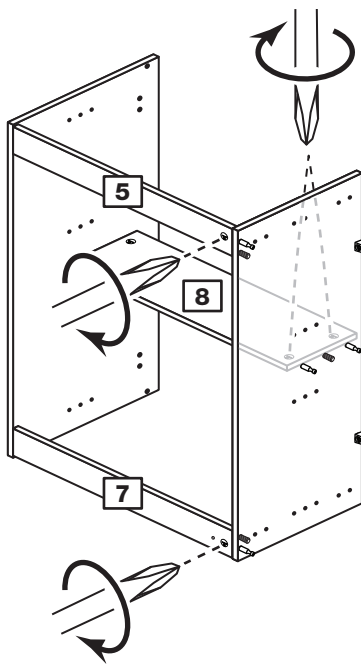


Assembly Instructions

Step 10

Secure the divider

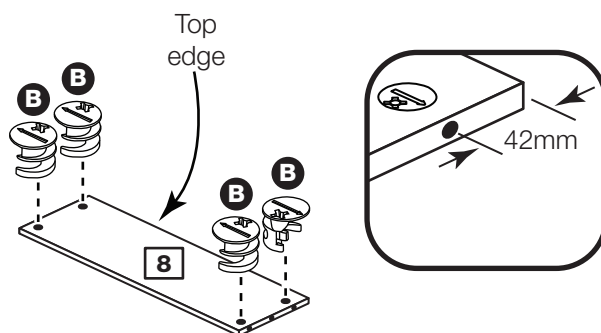
Use a screwdriver to tighten the 4 large locking nuts **B** fitted to the left plinth **5**, the right plinth **7** and the back brace **8**.



Step 11

Prepare 1 of the back brace panels

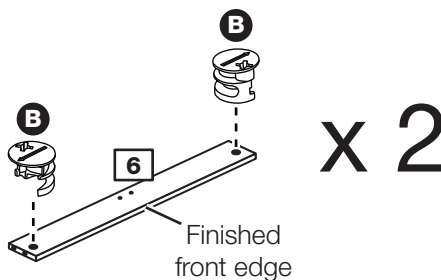
Insert 4 large locking nuts **B** into a back brace **8**.



Step 12

Prepare the 2 middle plinths

Insert 2 large locking nuts **B** into each of the 2 middle plinths **6**.



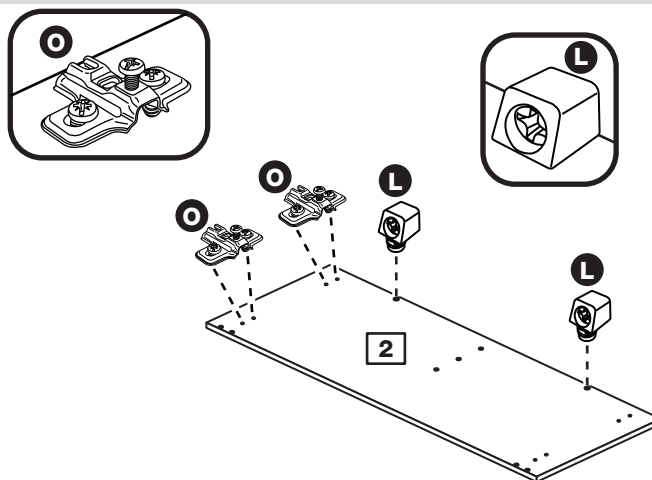
Assembly Instructions

Step 13

Prepare the other divider panel

Fit 2 hinge plates **O** onto the divider **2**, making sure that the slot is facing towards the finished front edge.

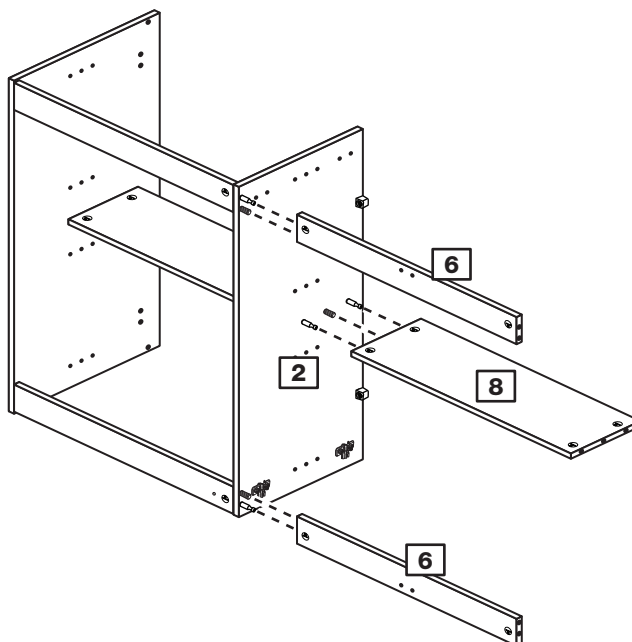
Gently tap 2 mini blocks **L** into the divider **2**, orientated as shown.



Step 14

Fit the middle plinths and the back brace

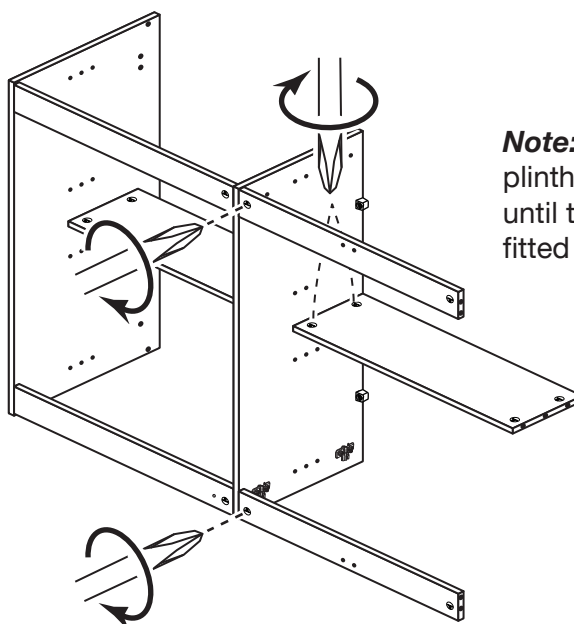
Push both of the middle plinths **6** and the back brace **8** onto the divider **2**.



Step 15

Secure the divider

Use a screwdriver to tighten the 4 large locking nuts **B** fitted to the 2 middle plinths **6** and the back brace **8**.



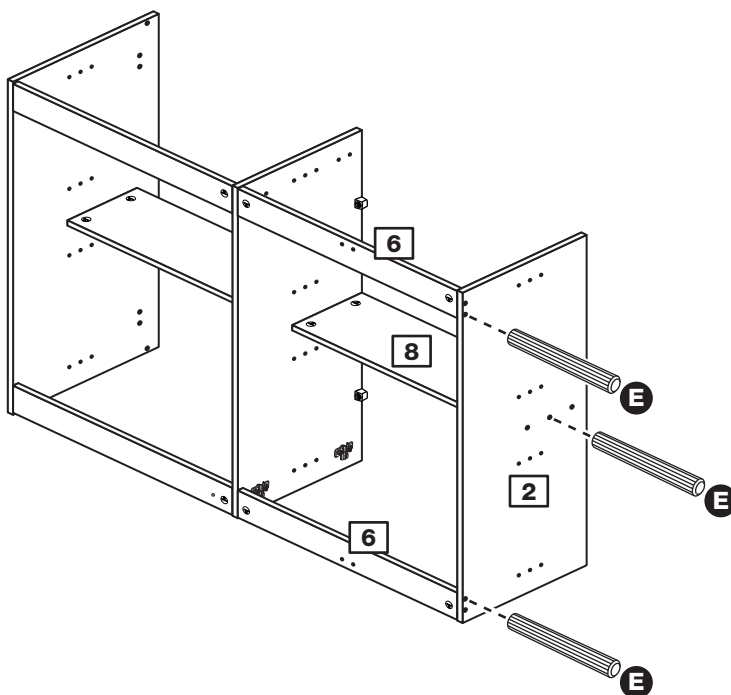
Note: Support the middle plinth and the back brace until the divider has been fitted in the next step.

Assembly Instructions

Step 16

Fit the divider

Tap 3 large wooden dowels **E** through the divider **2** and into the 2 middle plinths **6** and the back brace **8** until they "bottom out".

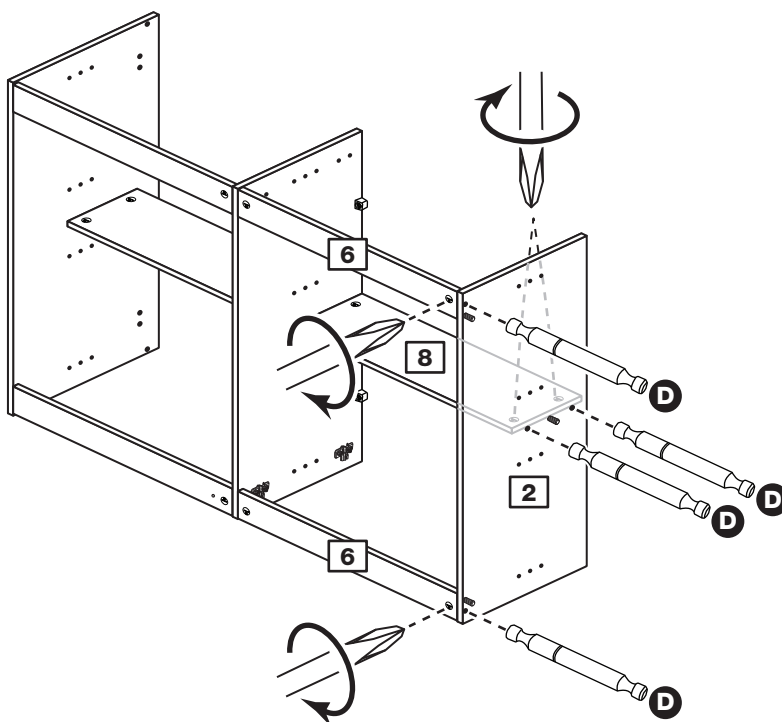


Step 17

Fit the double metal dowels

Tap 4 double metal dowels **D** through the divider **2** and into the 2 middle plinths **6** and the back brace **8** until they "bottom out".

Use a screwdriver to tighten the 4 large locking nuts **B** fitted to the 2 middle plinths **6** and the back brace **8**.



Assembly Instructions

Step 18

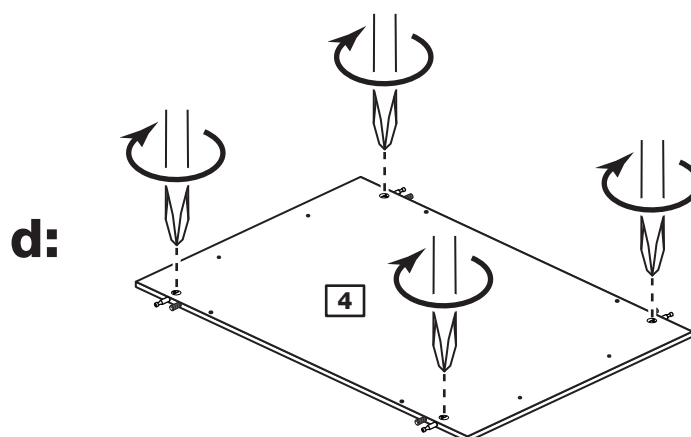
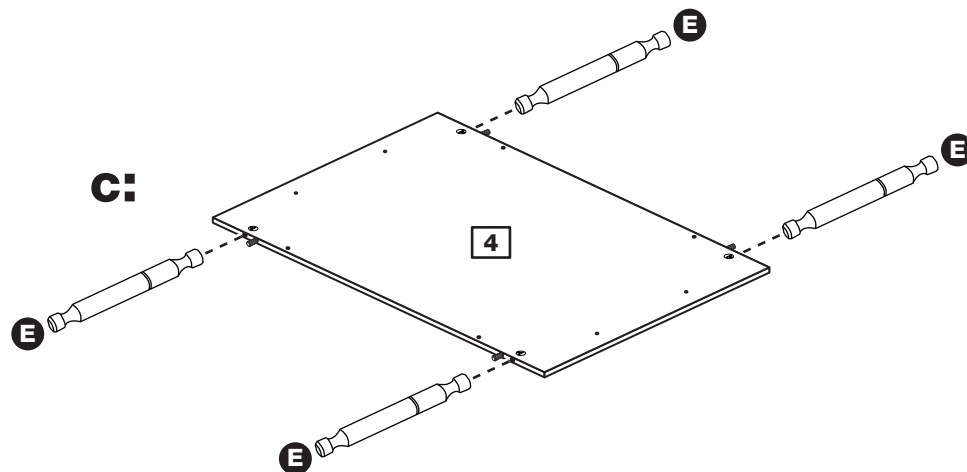
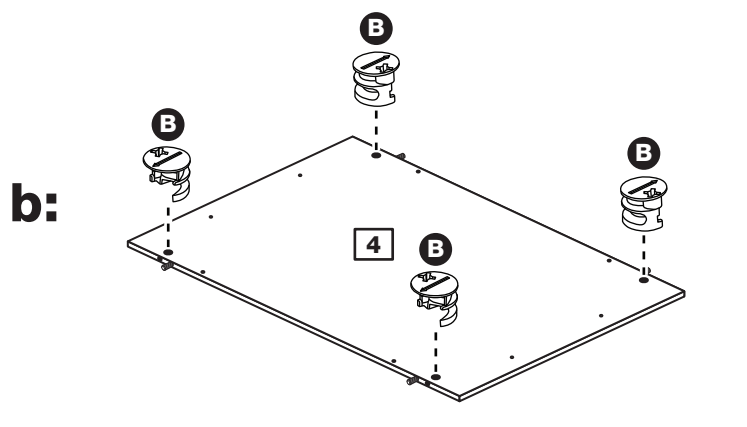
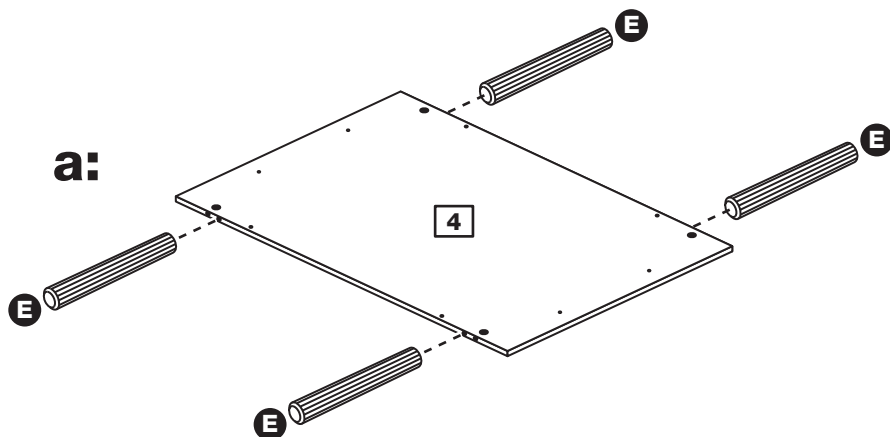
Prepare the middle mattress base

a: Tap 4 large wooden dowels **E** into the middle mattress base **4** until they “bottom out”.

b: Insert 4 large locking nuts **B** into the middle mattress base **4**.

c: Tap 4 double metal dowels **D** into the middle mattress base **4** until they “bottom out”.

d: Use a screwdriver to tighten the 4 large locking nuts **B** fitted to the middle mattress base **4**.



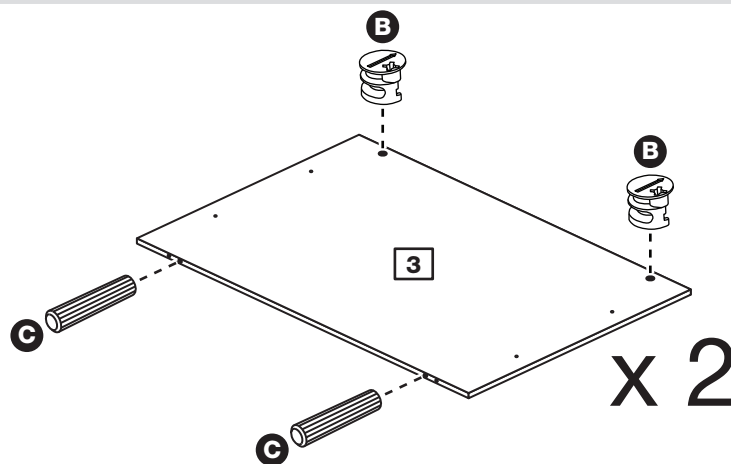
Assembly Instructions

Step 19

Prepare the 2 end mattress bases

Insert 2 large locking nuts **B** into each of the 2 end mattress bases **3**.

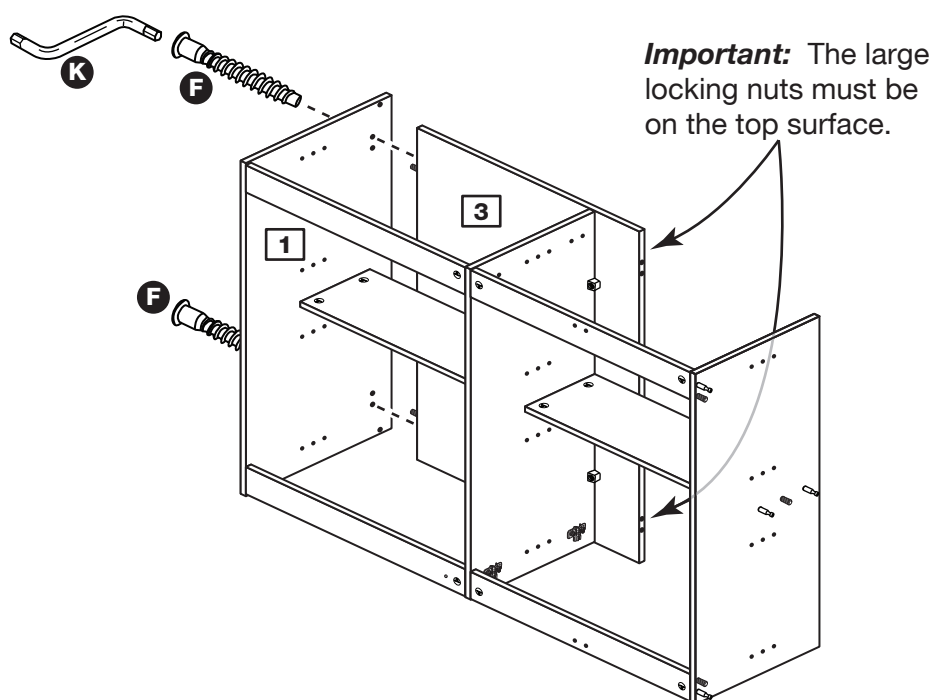
Tap 2 wooden dowels **C** into each of the 2 end mattress bases **3**.



Step 20

Fit a end mattress base

Push an end mattress base **3** onto the end panel **1** securing it using 2 screws **F** and the allen key **K**.

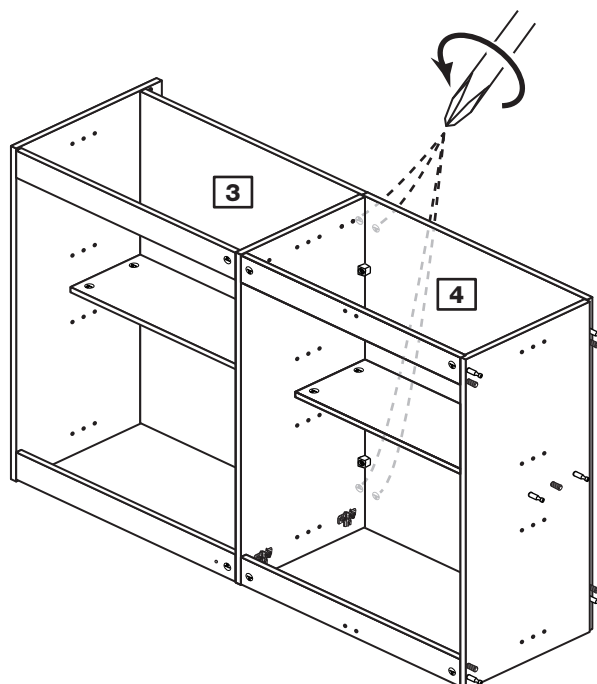


Step 21

Fit the middle mattress base

Push the middle mattress base **4** onto the end mattress base **3**.

Use a screwdriver to tighten the 4 large locking nuts **B** fitted to the end mattress base **3** and the middle mattress base **4**.

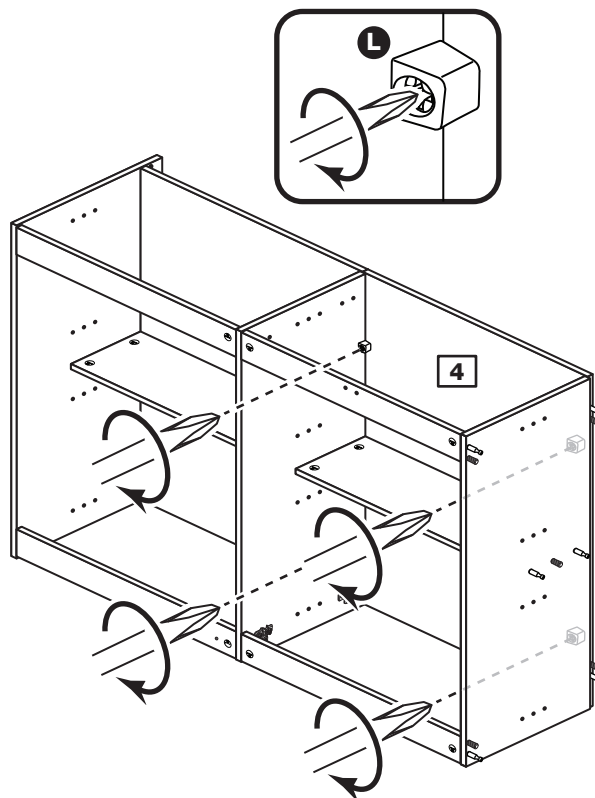


Assembly Instructions

Step 22

Secure the middle mattress base

Tighten up the screws in the 4 mini blocks **L** into the holes in the middle mattress base **4**.

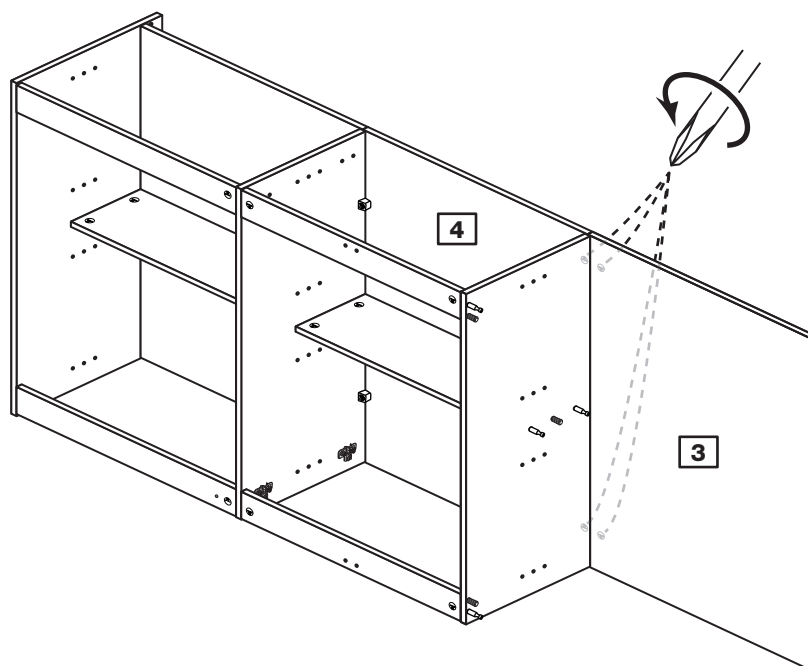


Step 23

Fit the other end mattress base

Push the end mattress base **3** onto the middle mattress base **4**.

Use a screwdriver to tighten the 4 large locking nuts **B** fitted to the end mattress base **3** and the middle mattress base **4**.



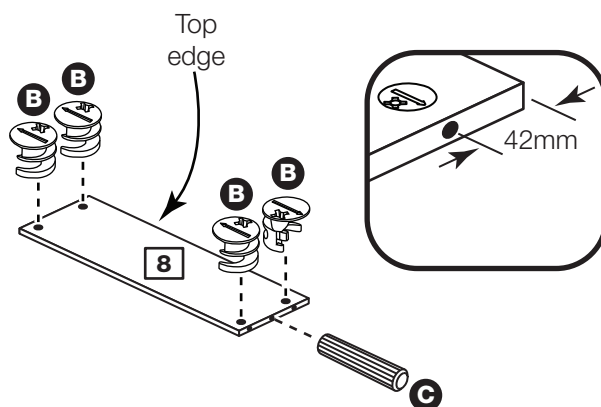
Assembly Instructions

Step 24

Prepare the other back brace panel

Insert 4 large locking nuts **B** into the back brace **8**.

Tap a wooden dowel **C** into the back brace **8**.



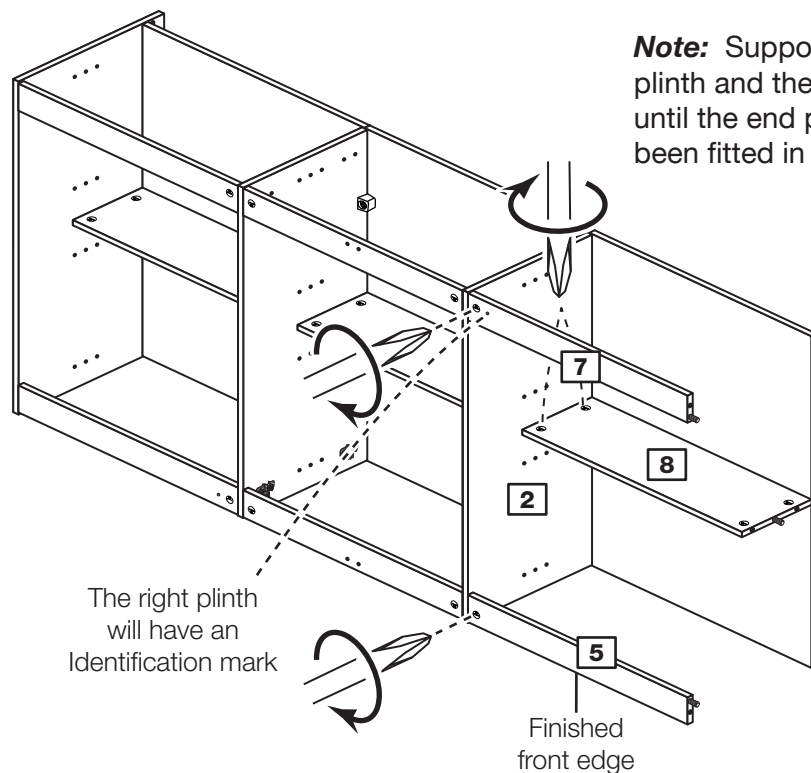
Step 25

Fit a right plinth, a left plinth and a back brace

Push a left plinth **5** onto the divider **2** and use a screwdriver to tighten the large locking nut **B**.

Push a right plinth **7** to the divider **2** and use a screwdriver to tighten the large locking nut **B**.

Push a back brace **8** to the divider **2** and use a screwdriver to tighten the 2 large locking nuts **B**.



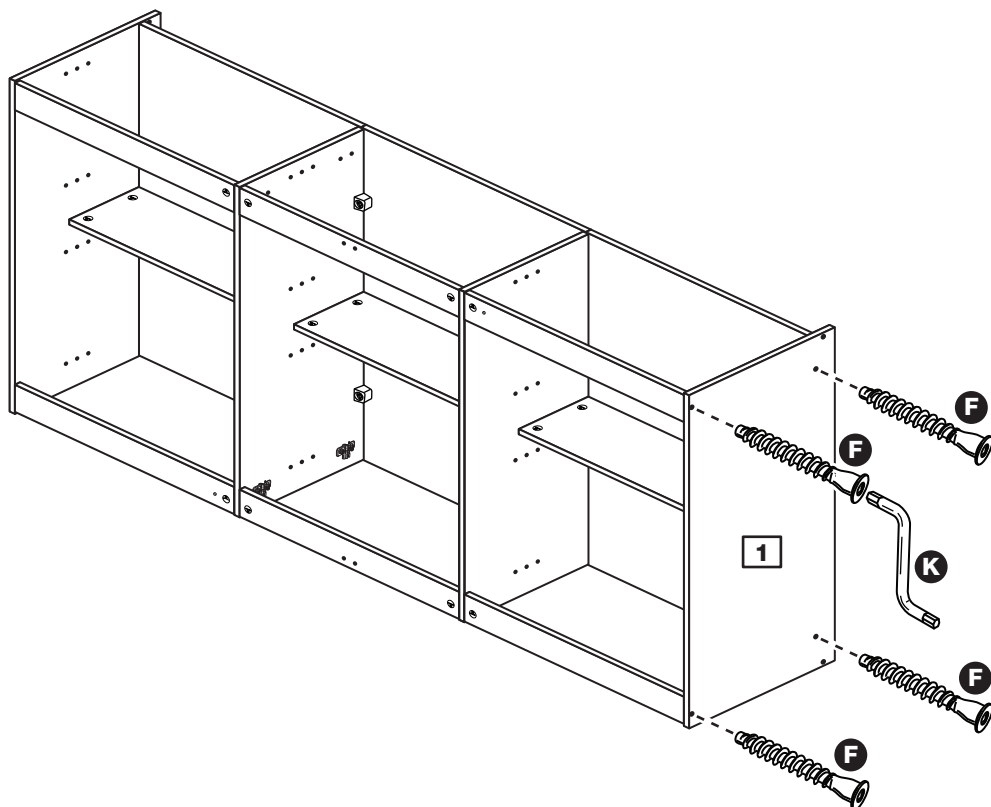
Note: Support the right plinth and the back brace until the end panel has been fitted in the next step.

Assembly Instructions

Step 26

Fit the end panel

Push the end panel **1** onto the assembly and secure it using 4 screws **F** and the allen key **K**.



Step 27

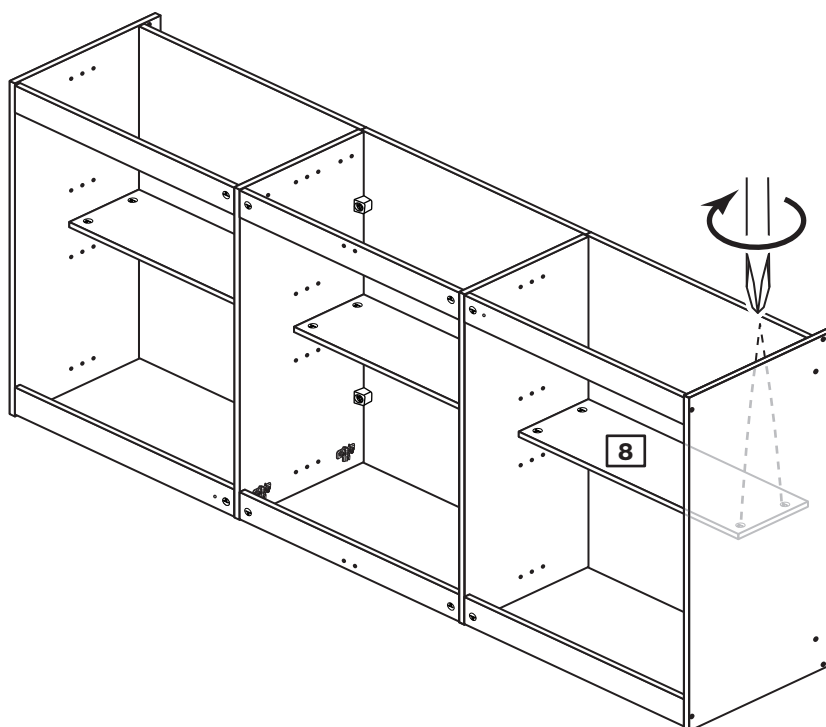
Secure the back brace

Use a screwdriver to tighten the 2 large locking nuts **B** fitted to the back brace **8**.

Using 2 people, carefully stand the unit upright for the next step.



Warning: The unit is heavy. Lift with care.

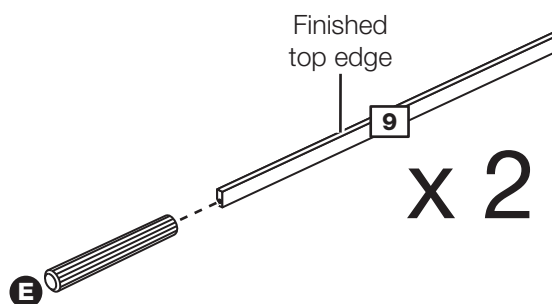


Assembly Instructions

Step 28

Prepare 2 of the side rails

Tap a large wooden dowel **E** into 2 of the side rails **9** until they "bottom out".

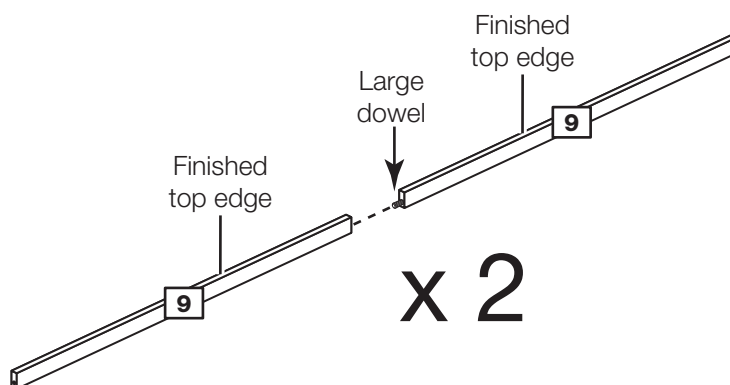


Step 29

Join the 2 pairs of rails together

Push a side rail **9** without large dowel onto a side rail **9** with a large dowel.

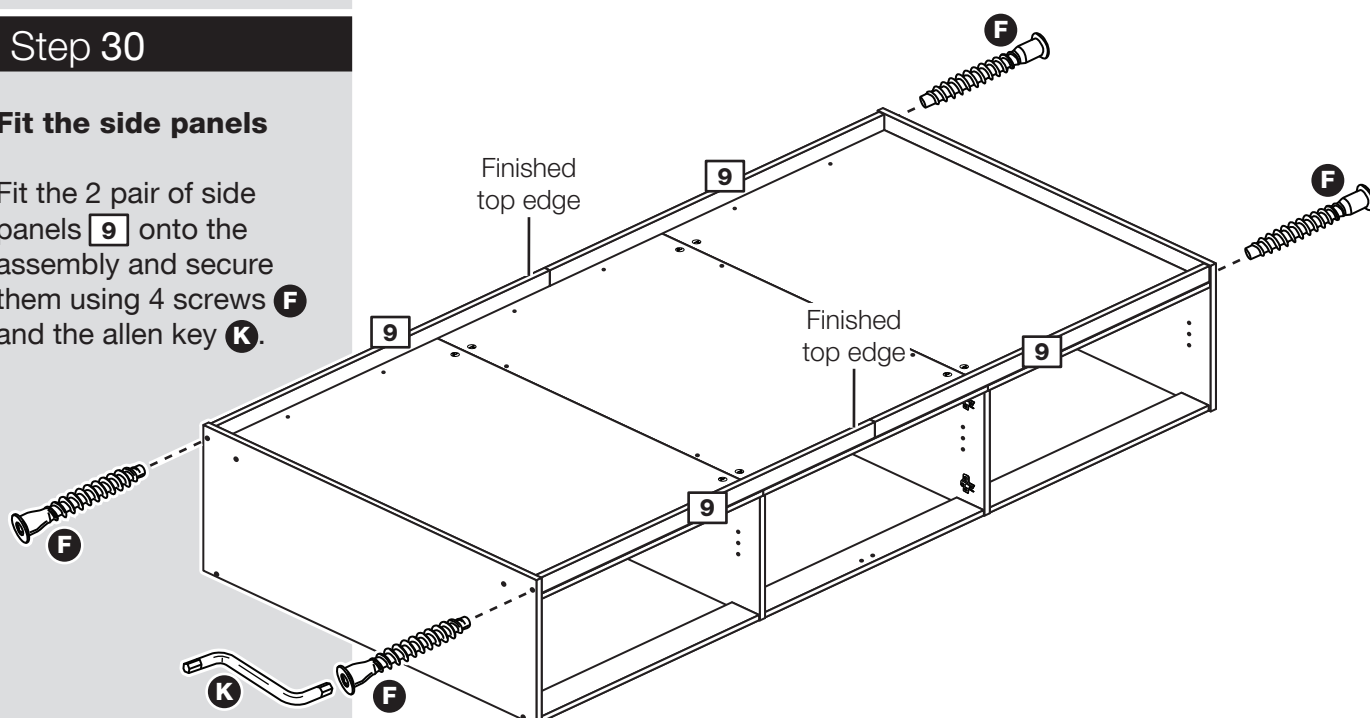
Then do the same for the other pair of side rails.



Step 30

Fit the side panels

Fit the 2 pair of side panels **9** onto the assembly and secure them using 4 screws **F** and the allen key **K**.



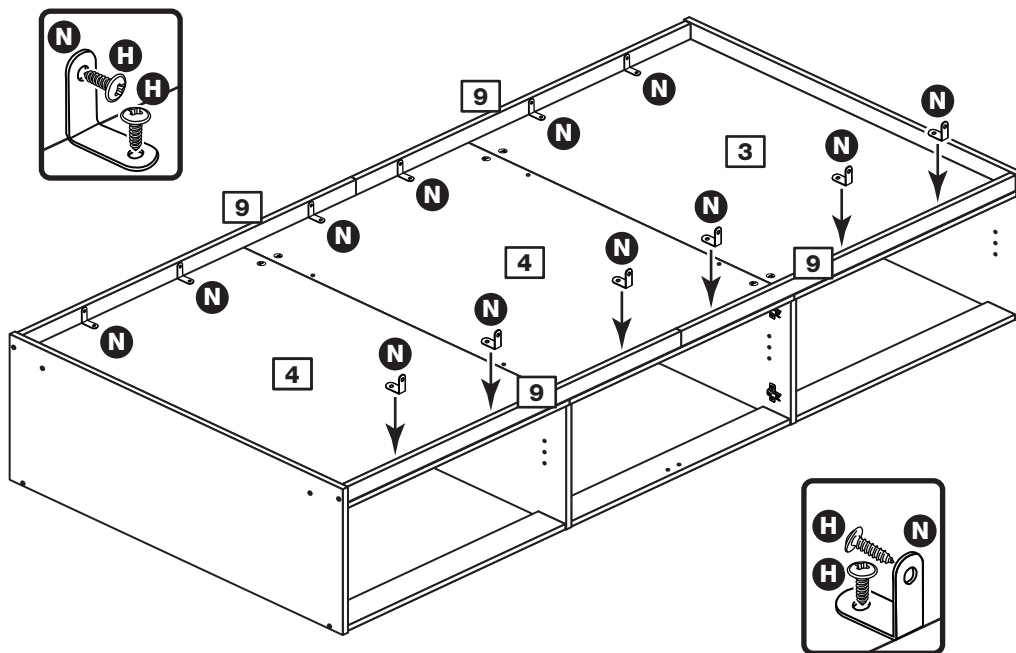
Assembly Instructions

Step 31

Fit the brackets

Position each bracket **N** over the mark holes on the end mattress bases **3** and the middle mattress base **4** and fit them using screws **H**.

Now secure the side rails **9** to the brackets **N** using screws **H**.



Step 32

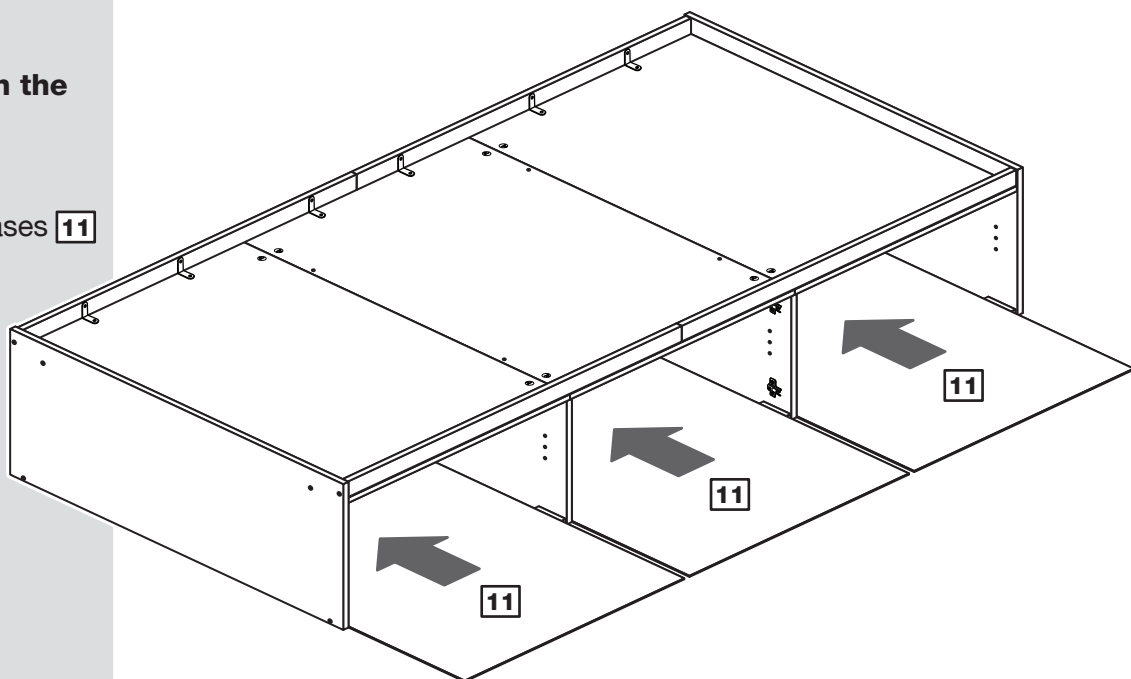
Fit the 3 bed bases

Using 2 people, carefully position the bed into its final position.

Place the 3 bed bases **11** into the assembly.



Warning: The unit is heavy. Lift with care.



Assembly Instructions

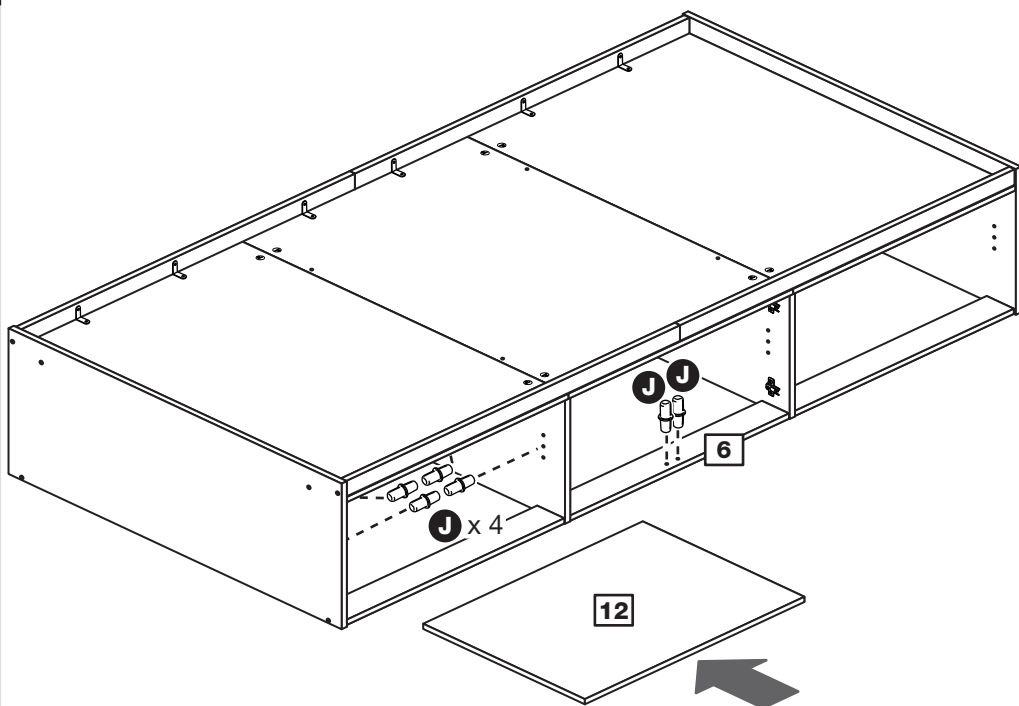
Step 34

Fit the shelf and shelf studs

Push 2 of the shelf studs **J** down into the holes in the lower middle plinth **6** to act as door buffers.

Choose which side you would like the shelf and insert 4 shelf studs **J** at the required height.

Lower the shelf **12** down onto the shelf studs **J**.



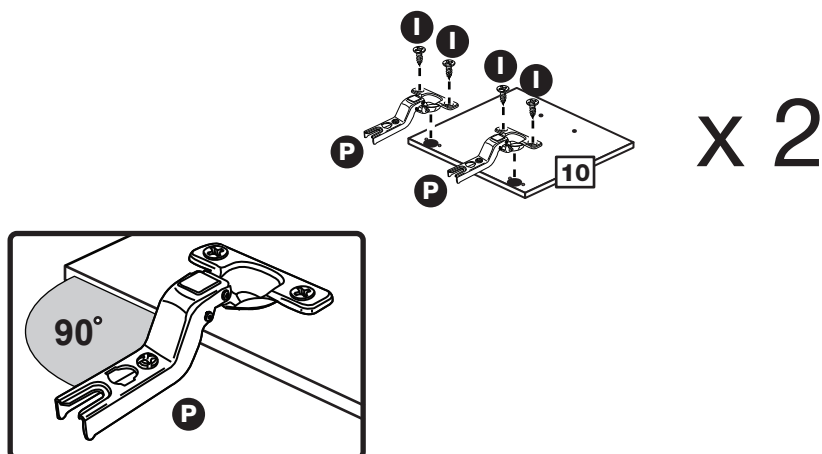
This shows the shelf being fitted to the left hand side but, you can also fit it to the right hand side

Step 33

Prepare the 2 doors

Push fit 2 hinges **P** into each of the 2 doors **10**.

Secure each hinge with 2 screws **I**.



Assembly Instructions

Step 34

Fit doors and handles

Note: The easiest way to attach each door **10** is to fit the top hinge first, then align and fit the other hinge.

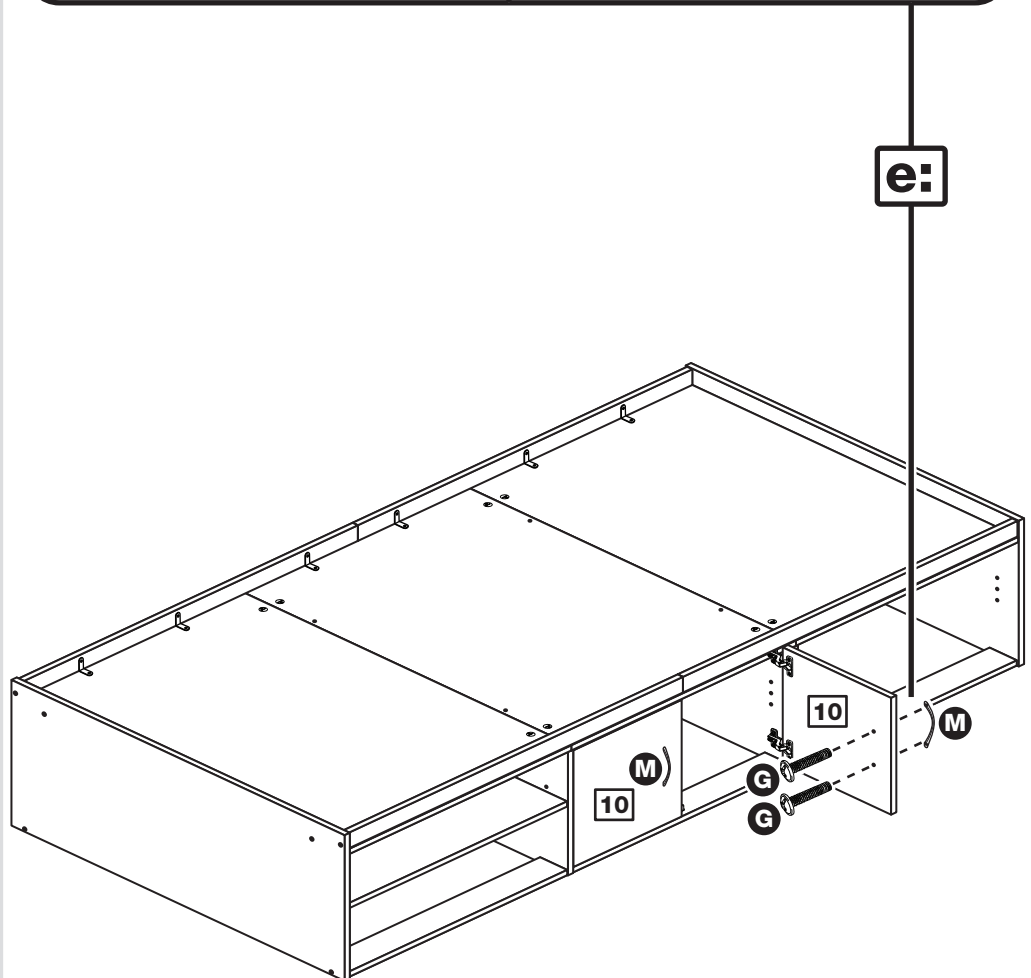
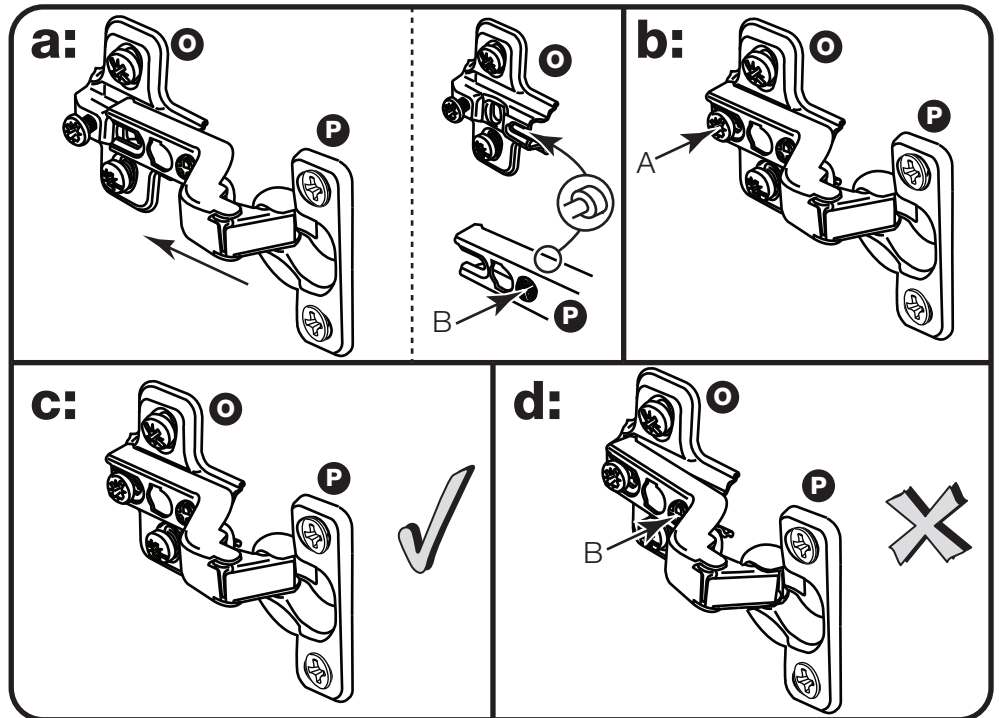
a: Push the hinge **P** onto the front part of the hinge plate **O**. The recess at the bottom of screw B goes into the slot in the hinge plate.

b: Keep the hinge **P** FLAT against the hinge plate **O** as you slide it across as far as it will go. Tighten screw A.

c: The hinge **P** must be flat against the hinge plate **O** prior to any adjustment.

d: The hinge **P** must NOT be AT AN ANGLE to the hinge plate **O** when assembled. This would indicate that the recess at the bottom of screw B had not located in the slot in the hinge plate and the hinge would not be secure. Remove the hinge from the hinge plate and then re-assemble being careful to follow instructions a-c.

e: Attach a handle **M** to each door **10** using 2 screws **G**.



Assembly Instructions

Step 35

Adjust the doors if needed

a: Before adjusting the doors, use a spirit level to check the base (or top) of the unit is level, front-to-back and side-to-side in the 3 positions shown. Use suitable packing pieces (not supplied) to make the unit level BEFORE making any adjustment to the hinges, as shown.

b: Height adjustment.

Loosen screws A on hinge plates and move door up or down as required. Retighten screw A.

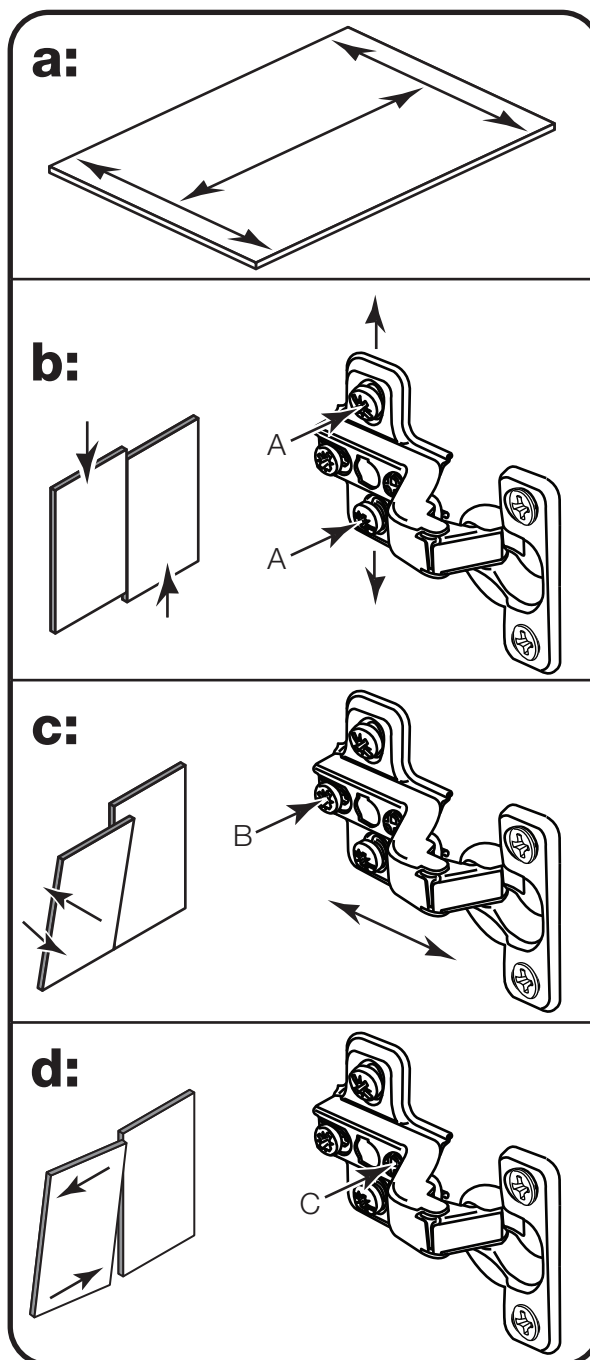
c: Forward and Back adjustment.

Loosen screw B on hinge plate and move door in or out as required. Retighten screw B.

d: Sideways adjustment.

To move door 'out' loosen screw C. To move door 'in' tighten screw C.

Assembly is complete



IMPORTANT!

On a regular basis please check that the screws and fittings have not become loose as this could present a potential choke hazard.

If you need help or have damaged or missing parts, please visit www.argos-support.co.uk or email: Help@ClickSpares.co.uk (quoting your original order number)
Alternatively, call the Spares Helpline on: 0370 112 1928.
For any other queries please contact the Customer Helpline on: 0345 640 2020

