

**Series 6, Fully-integrated dishwasher,  
60 cm  
SMV6ZCX10G**



**Optional accessories**

- SGZ0BI01 : decorative strips stainless steel 81,5cm
- SGZ0IC00 :
- SGZ1010 : inlet and outlet hose extension
- SGZ8BI00 : Connection rail for divided furniture
- SMZ2056 :
- SMZ5003 : Retractable hinge f. high corpus dimens.
- SMZ5035 : Decor conversion kit, stainless steel
- SMZ5100 : Vario-cutlery basket
- SMZ5300 : GlassSecure Tray

**PerfectDry dishwashers for best drying results with flexible and practical loading solutions for all your different styles of dishes.**

- **PerfectDry:** perfect drying results with low energy consumption, even for hard-to-dry items.
- **Silence Pro:** the extremely quiet 40 dB dishwasher.
- **TimeLight:** program status and remaining time clearly displayed on floor in high resolution.
- **VarioFlex-baskets and VarioDrawer:** enhanced flexibility options with more space on all levels.
- **Home Connect:** home appliances with smart connectivity for an easier everyday life.

**Technical Data**

Energy Efficiency Class: B  
 Energy Consumption for 100 cycles Eco Programme: 65 kWh  
 Maximum number of place settings: 14  
 The water consumption of the eco programme in liters per cycle: 9.0 l  
 Programme duration: 3:35 h  
 Airborne acoustical noise emissions : 40 dB(A) re 1 pW  
 Airborne acoustical noise emission class: B  
 Cleaning performance: A  
 Water consumption: 9.0 l  
 Total annual water consumption 220 days: 1980 l  
 Built-in / Free-standing: Built-in  
 Removable top: No  
 Door panel options: Not possible  
 Height of removable worktop: 0 mm  
 Height of the appliance: 815 mm  
 Adjustable feet: Yes - all from front  
 Maximum adjustability feet: 60 mm  
 Adjustable plinth: Both horizontal and vertical  
 Net weight: 45.2 kg  
 Gross weight: 47.0 kg  
 Connection Rating: 2400 W  
 Fuse protection: 10 A  
 Voltage: 220-240 V  
 Frequency: 50; 60 Hz  
 Length electrical supply cord: 175.0 cm  
 Plug type: GB plug  
 Length inlet hose: 165 cm  
 Length outlet hose: 190 cm  
 Hidden heating element: Yes  
 Water protection system description: Triple water protection 24h  
 Child safety devices: No  
 Water softener: Yes  
 Top basket type: mid  
 Adjustable upper basket: Rackmatic 3-stage  
 Bottom basket type: mid  
 3rd Rack: varioDrawer - loading of cutlery on 3rd level  
 Optional accessories: SGZ0BI01, SGZ0IC00, SGZ1010, SGZ8BI00, SMZ2056, SMZ5003, SMZ5035, SMZ5100, SMZ5300  
 Included accessories 2: Vapor barrier plate  
 Number of place settings: 14  
 Dimensions of the product (HxWxD): 815 x 598 x 550 mm  
 Dimensions of the packed product (HxWxD): 880 x 660 x 670 mm



## Series 6, Fully-integrated dishwasher, 60 cm SMV6ZCX10G

**PerfectDry dishwashers for best drying results with flexible and practical loading solutions for all your different styles of dishes.**

### Performance

- Energy Efficiency Class<sup>1</sup>: B
- Energy<sup>2</sup> / Water<sup>3</sup>: 65 kWh / 9 litres
- Capacity: 14 place settings
- Programme duration<sup>4</sup>: 3:35 (h:min)
- Noise level: 40 dB(A) re 1 pW
- Noise Efficiency Class: B
- Noise level (silence programme): 39 dB(A) re 1 pW

### Programmes / functions

- 6 programmes: Eco 50 °C, Auto 45-65 °C, Intensive 70 °C, Express 60 °C, Silence 50 °C, Favourite
- Default favourite programme: Pre-Rinse
- 4 special options: Remote Start, Extra Dry, Half Load, SpeedPerfect+
- Add-On functions via Home Connect app: Hygiene+, Silence on Demand
- Machine Care

### Flexible design elements

- Vario Flex baskets
- Vario Drawer - loading of cutlery on 3rd level
- 3 stage Rackmatic height-adjustable top basket
- Low friction wheels on bottom basket
- Rack Stopper to prevent derailing of bottom basket
- 2 foldable plate racks in top basket
- 4 foldable plate racks in bottom basket
- Upper rack cup shelf

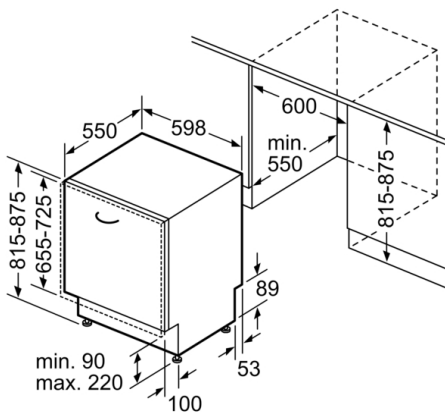
### Innovations and technology

- Home Connect ready on WLAN
- Zeolith - Energy efficient and perfect drying results
- Heat exchanger - Hygienic and efficient drying
- DosageAssist detergent dispenser
- EcoSilence BLDC drive
- Automatic detergent detection
- AquaSensor III
- AquaMix - Glass protection system

### Design features

- Push button top edge controls
  - TimeLight - Light projection on the floor
  - Time delay (3, 6 or 24 hours)
  - Acoustic end of cycle indicator
  - AquaStop: Bosch's warranty in case of water damage - for the lifetime of the appliance. Please find warranty terms under <https://www.bosch-home.co.uk/customer-service/care-protection-and-parts/additional-warranties>
  - Self-cleaning filter system with 3 piece corrugated filter
  - steam protection plate
  - Stainless steel interior
  - Dimensions (HxWxD): 81.5 x 59.8 x 55cm
- <sup>1</sup> Scale of Energy Efficiency Classes from A to G  
<sup>2</sup> Energy consumption in kWh per 100 cycles (in programme Eco 50 °C)  
<sup>3</sup> Water consumption in litres per cycle (in programme Eco 50 °C)  
<sup>4</sup> Duration of programme Eco 50 °C

## Series 6, Fully-integrated dishwasher, 60 cm SMV6ZCX10G



measurements in mm

