

Important

- For your safety, this product must be installed in accordance with wiring regulations from the Institute of Engineering and Technology (IET) and current local Building Regulations.
- If in any doubt, or where required by the law, consult a competent person who is registered with an electrical self-certification scheme. Further information is available online or from your Local Authority.
- To prevent electrocution, switch off at the mains supply before installing or maintaining this fitting. Ensure other persons cannot restore the electricity supply without your knowledge.
- To avoid damage to concealed wiring during installation, establish the direction of the supply cable before drilling fixing holes.
- Always be sure to use the correct type and wattage of bulbs as indicated on the fitting. Never exceed the wattage stated.
- When changing the bulb, always switch off at the mains and allow the old bulb to cool down before handling. Dispose of used bulbs carefully.
- This fitting is Class I appliance. It should be fitted to a lighting supply (with earth) protected by a 5 amp fuse or equivalent breaker. The product must be earthed.
- The luminaire is designed for indoor use only.
- Compatible used with dimmer switches with compatible dimmable LED bulb.

Maintenance

This fitting is designed for indoor use only and must be fitted to a DRY SURFACE as any dampness in plaster or paint can damage the finish. **Do not use polish or abrasive cleaner - just a soft dry cloth.**

BULB REPLACEMENT

1. Switch off the mains power supply.
2. Before replacing the bulb, allow it to cool down for at least 10 minutes.
3. Never touch the bulb with your fingers directly, cover it with a cloth.
4. Loosen the bulb and remove it from the lamp.
5. Replace a new bulb with same voltage and wattage (**3 x Max.10W E14**).

Recycling electrical products

You should now recycle your waste electrical goods and in doing so help the environment. This symbol means an electrical product should not be disposed of with normal household waste. Please ensure it is taken to a suitable facility for disposal.

Visit www.recycle-more.co.uk, click on "bank locator" and enter your postcode to find your nearest recycling site.



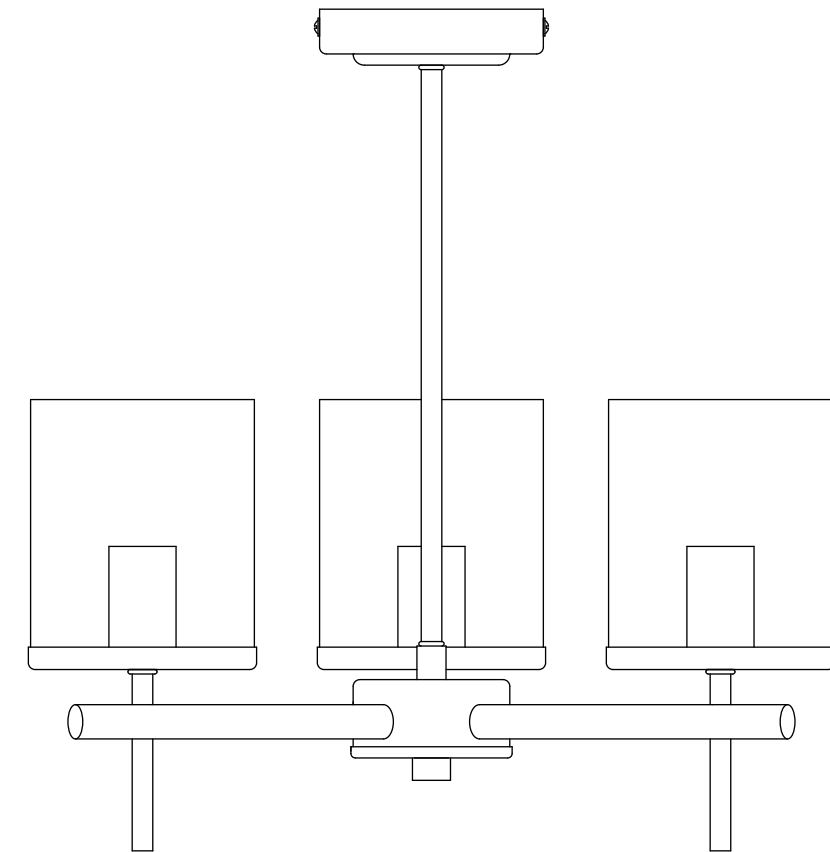
We care about our quality and what you think, If you have any comments, good and bad, Please call our Careline **Argos: 0345 6400 800** or visit **www.argos.co.uk**
Your statutory rights are not affected.

Produced in China.
Sainsbury's Supermarkets Ltd and Argos Limited,
London EC1N 2HT, UK. Sainsbury's (NI) Ltd and
Argos (N.I.) Ltd, Forestside Shopping Centre,
Upper Galwally, Belfast, BT8 6FX, UK.

HOME

Glass 3L Uplighter Pendant Flush

SKU 4849669



Care & Instruction Manual

For household and indoor use only

Please read and retain these instructions for future reference

Instruction for use

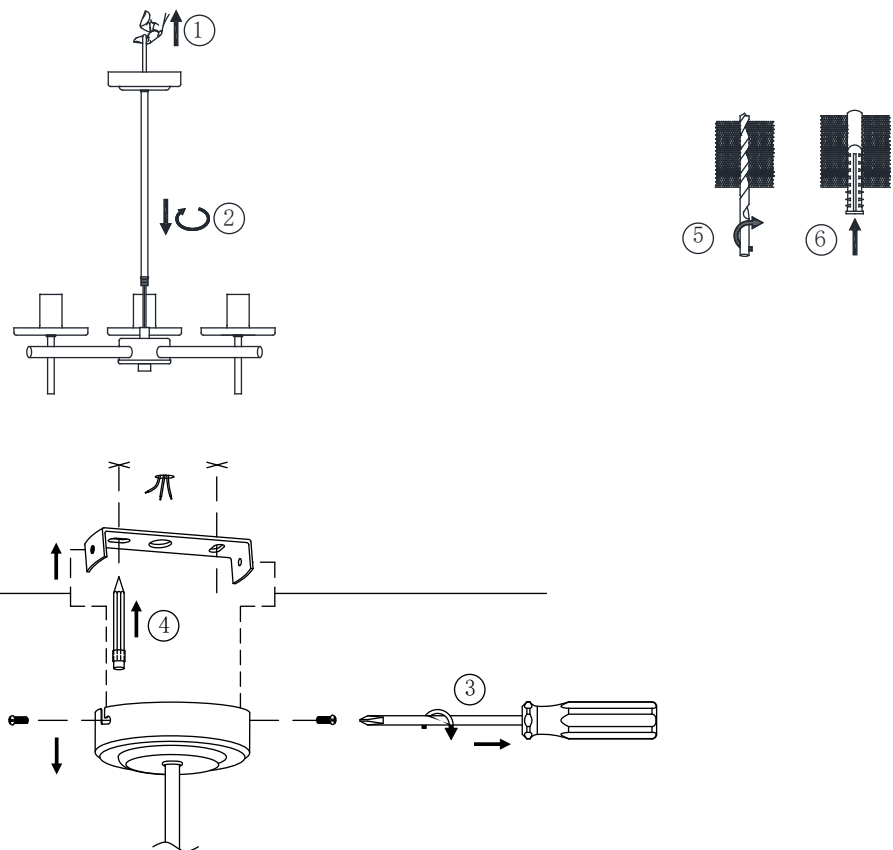
Before removing the existing fitting, carefully note the position of each set of cables. If there are loop in cables that are not connected to the light, they must be terminated in a separate terminal block not connected to the fitting.

1. Switch off the electricity supply at the fuse board.
2. Remove the mounting bracket from the fitting by removing the 2 screws, using the bracket as a template, mark and drill fixing holes in the ceiling. Ensure the holes are drilled into a joist or other suitable mounting surface and not just into plaster.
3. Secure the centre rod and canopy assembly onto the top of fixture body.
4. Attach mounting bracket to the ceiling using suitable fixings.
5. The weight of the fitting must be supported whilst making the electrical connections as follows:
 - a. Connect supply live (normally brown or red) to fitting live (marked "L") on the terminal block.
 - b. Connect supply neutral (normally blue or black) to fitting neutral (marked "N") on the terminal block.
 - c. Connect supply earth (normally green/yellow or unsheathed) to earth (marked "⊕") on the terminal block.

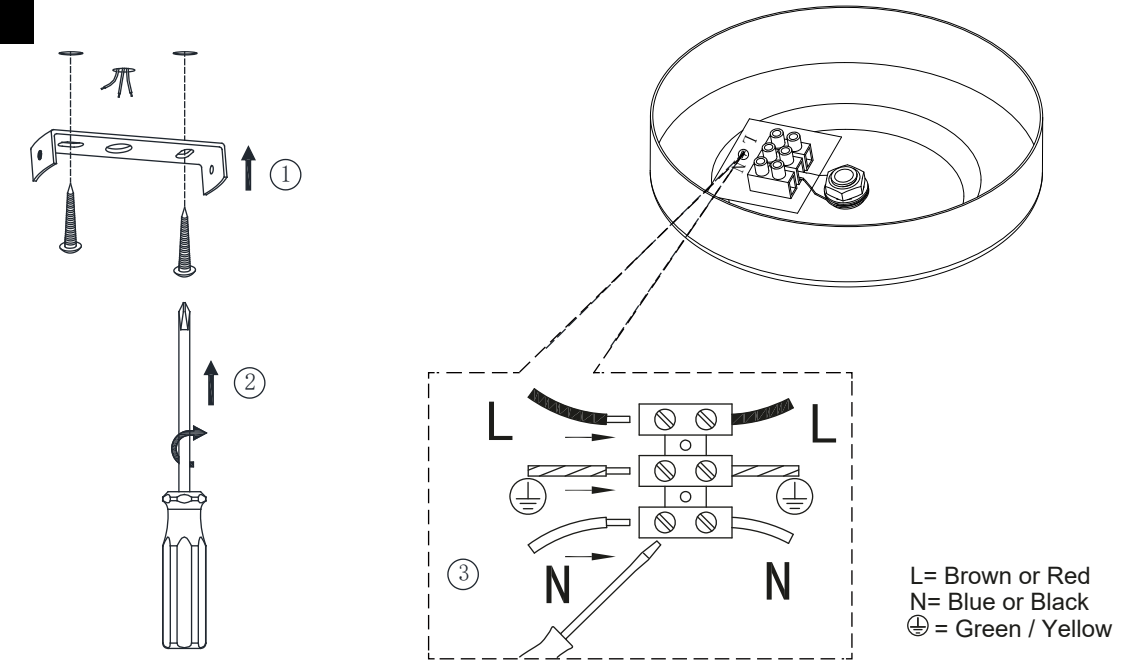
NOTE: Ensure electrical connections are tight and no loose strands of wire are left out of the terminal block.

6. Offer fitting up onto the bracket and push any excess cable into ceiling void. Secure the ceiling cup into position using the 2 screws removed earlier. Take care not to trap or damage wiring.
7. Remove the decorative sleeves from the lamp holders, then put the glass shades onto the lamp holders. Screw the decorative sleeves to the lamp holders.
8. Fit the bulb: Type and wattage as indicated on the fitting. The wattage indicated must not be exceeded.
9. Switch on the electricity supply at the fuse board.

Step 1



Step 2



Step 3

