

## Care & Instruction Manual

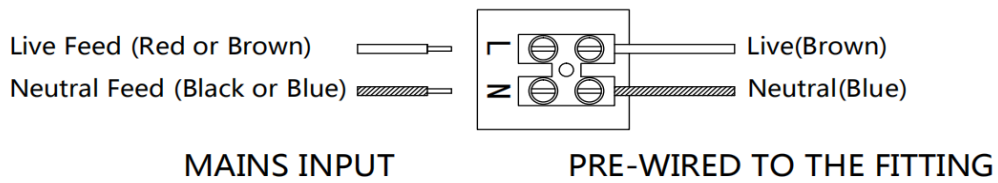
For household and indoor use only.

**Please read and retain these instructions for future reference**

**IMPORTANT!** All light fittings must be fitted in accordance with wiring regulations from the institution of Engineering and Technology (IET) and current building regulations. We recommend you employ a qualified electrician and that manufacturer's fitting instructions are followed

### Installation

- 1. Please turn off all Mains power before starting to install this light.
- 2. Remove the lamp and other parts from the package.
- 3. If the height of the fitting requires shortening, the length of the cable can be reduced. This is done by loosening the clamp screw⑦ and adjusting the cable to the preferred length⑥. One at the required length secure using the cable holder⑥, re-insert into the clamp and tighten the screw⑦.
- 4. Remove the mounting bracket② from the fitting, by unscrewing the retaining screws④ on the sides of the canopy. Using the mounting bracket② as a template, mark the position of the fixing holes on the mounting surface.
- 5. Pre-drill fixing holes taking care not to damage any pipes or mains cables beneath the surface.
- 6. Securely fasten the metal mounting bracket② to the ceiling using mounting screws③ and wall plugs① (supplied). Ensure that you do not trap or strain any cables between the mounting surface and the bracket.
- 7. Connect the electric power supply wire to the terminal blocks of the fitting as shown in the below diagram.



- 8. Place the canopy of the fitting over the mounting bracket and secure back into position by replacing the two retaining screws④.
- 9. Place the recommended bulb⑤ (ES/E27 LED Max.10W bulb, bulb is not included) into the lamp holder.

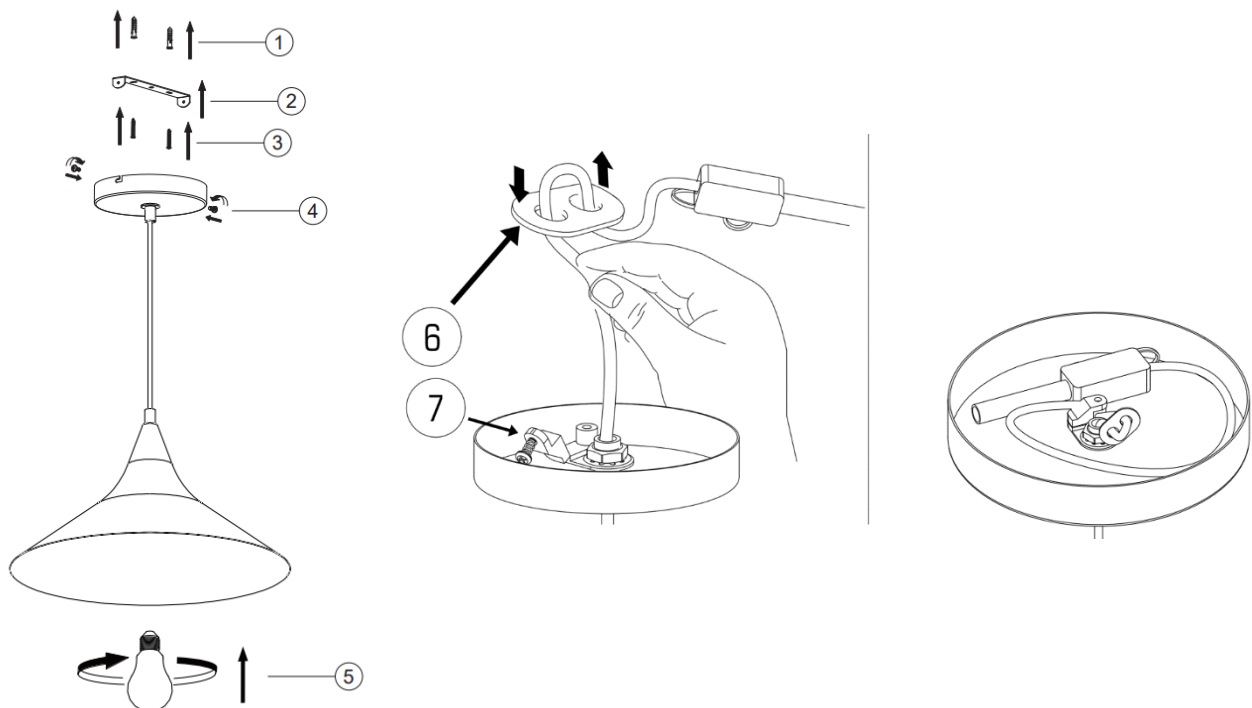
### Bulb Replacement

1. Switch off the mains power supply.
2. Before replacing the bulb, allow it to cool down for at least 10 minutes.
3. Never touch the bulb with your fingers directly, cover it with a cloth.
4. Loosen the bulb and remove it from the lamp.
5. Replace a new bulb with same voltage and wattage (ES/E27 LED Max.10W bulb), do not exceed the maximum stated wattage.

### Maintenance

**CAUTION!** Always disconnect power supply when servicing or cleaning.

- This luminaire is designed for indoor use only.
- Use a clean dry soft cloth.
- Do not use abrasive cloths or polishes as this may cause damage to the product.



**Recycling electrical products**

You should now recycle your waste electrical goods and in doing so help the environment. This symbol means an electrical product should not be disposed of with normal household waste. Please ensure it is taken to a suitable facility for disposal. Visit [www.recycle-more.co.uk](http://www.recycle-more.co.uk), click on "bank locator" and enter your postcode to find your nearest recycling site.



We care about our quality and what you think, if you have any comments, good and bad, please call our Careline Habitat: 0345 640 2020 or visit [Habitat.co.uk](http://Habitat.co.uk)  
Your statutory rights are not affected.

Made in China for Habitat, Argos Limited, London, EC1N 2HT, UK. Argos (N. I.) Ltd, Forestside Shopping Centre, Upper Galwally, Belfast, BT8 6FX, UK.