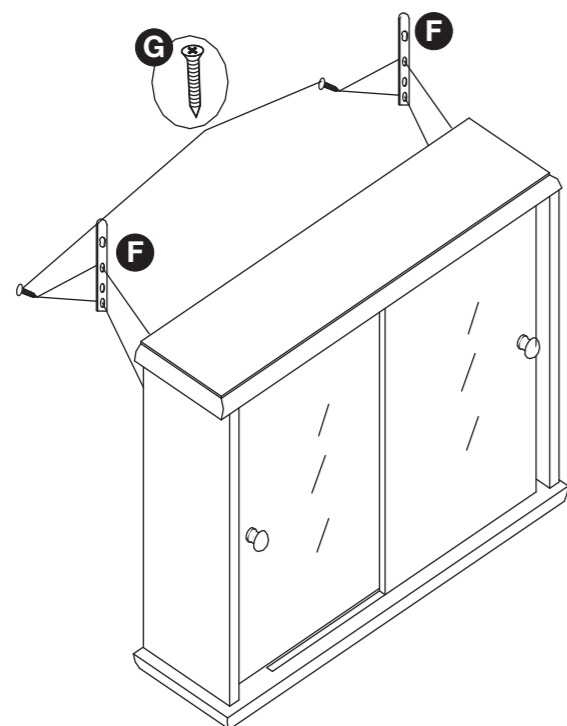


Assembly Instructions

Step 5

Screw the hanging brackets **F** to the back of the left and right side panels using screw **G**.



Step 6

Finally mount the unit onto a wall.

Hold the unit into a corner and mark through the hanging brackets onto the wall. You may find it easier to have help from an additional person at this stage.

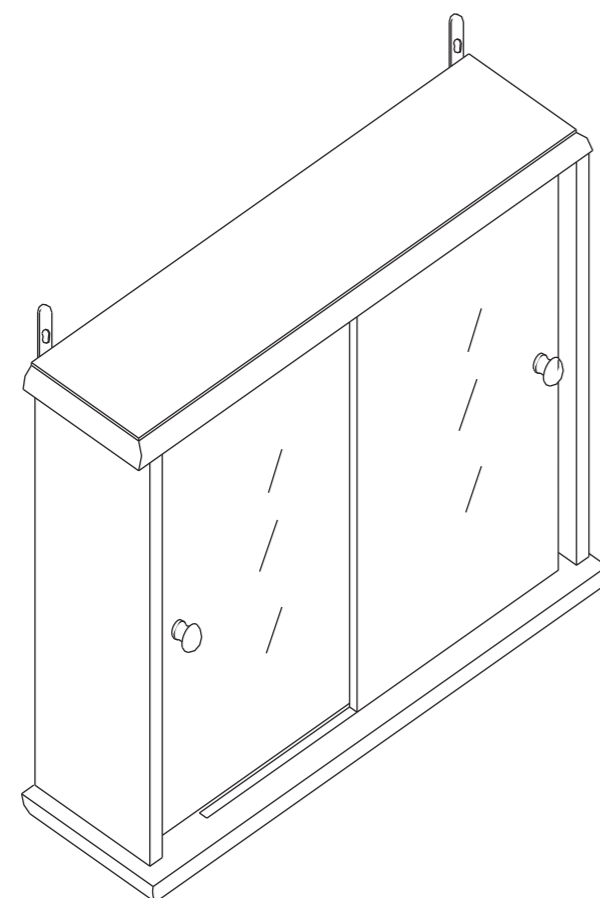
Remove the unit from the wall and drill a hole at each of the marked points using an appropriate sized drill bit.

Insert 1 x rawl plug **H** into each of the holes.

Return the unit to the wall and line up the hanging brackets with the rawl plugs inserted in the wall.

Insert 1 x screw **I** into each of the screw holes and tighten with a screwdriver.

Refer to the **Guide to Wall Mountings & Fixings** for further wall mounting options.



A Guide to Wall Mounting & Fixings

Important note:

If plastic wall plugs (rawl plugs) are supplied with your product, e.g.:



- these are only suitable for use in masonry walls.

If you are in any doubt about the correct wall plugs for your wall, seek professional advice.


Failure of the product due to using the incorrect fixings is the responsibility of the installer.



Important: when drilling into walls always check that there are no hidden wires or pipes etc.

Make sure that the screws and wall plugs being used are suitable for supporting your unit. Consult a qualified tradesperson if you are unsure.

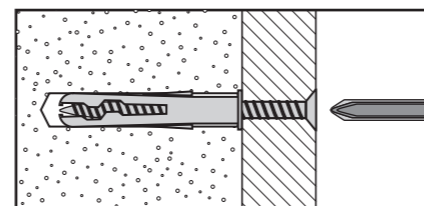
Hints:

- 1: General rule:  always use a larger screw and wall plug if you are not sure.
- 2: Ensure you use the recommended drill bit to match the wall plug and hole size.
- 3: Ensure you drill the hole horizontally; do not force the drill or enlarge the hole.
- 4: Take extra care when drilling high walls, ceilings and ceramic tiles. Ensure wall plugs are inserted beyond the thickness of the ceramic tiles to avoid the tiles splitting or cracking.
- 5: Ensure wall plugs are well fitted and are a tight fit in the drilled hole.

Types of walls

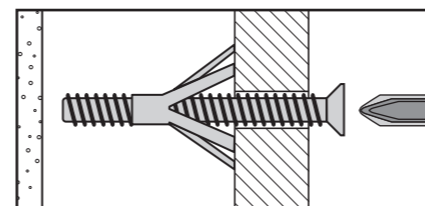
You can use one of the following types of wall plug if your walls are made of brick, breeze block, concrete, stone or wood.

No.1 "General Purpose" wall plug



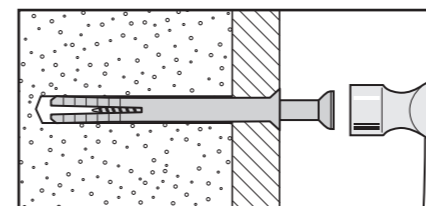
Generally aerated blocks should not be used to support heavy loads, use a specialist fitting in this case. For light loads, general purpose wall plugs can be used.

No.3 "Cavity Fixing" wall plug



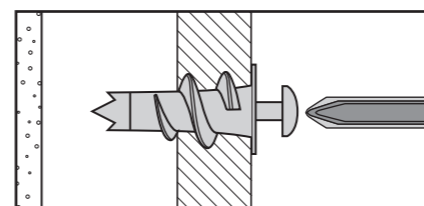
For use with plasterboard partitions or hollow wooden doors.

No.5 "Hammer Fixing" wall plug



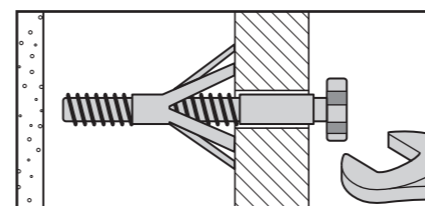
For use with walls stuck with plasterboard. The hammer fixing allows it to be fixed to the wall rather than the plasterboard. Always check the fixing is secure to the retaining wall.

No.2 "Plasterboard" wall plug



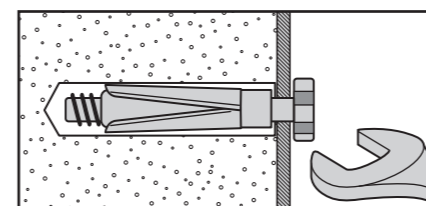
For use when attaching light loads onto plasterboard partitions.

No.4 "Cavity Fixing - Heavy Duty" wall plug



For use when fitting or supporting heavy loads such as shelving, wall cabinets and coat racks.

No.6 "Shield Anchor" wall plug - heavy loads



For use with heavier loads such as TV and HiFi speakers and satellite dishes etc.



Care & Maintenance

Safety: always check the fitting and location to ensure your safety in and around the home.

Fitting: from time to time check the fitting to ensure the wall plugs or screws do not become loose.

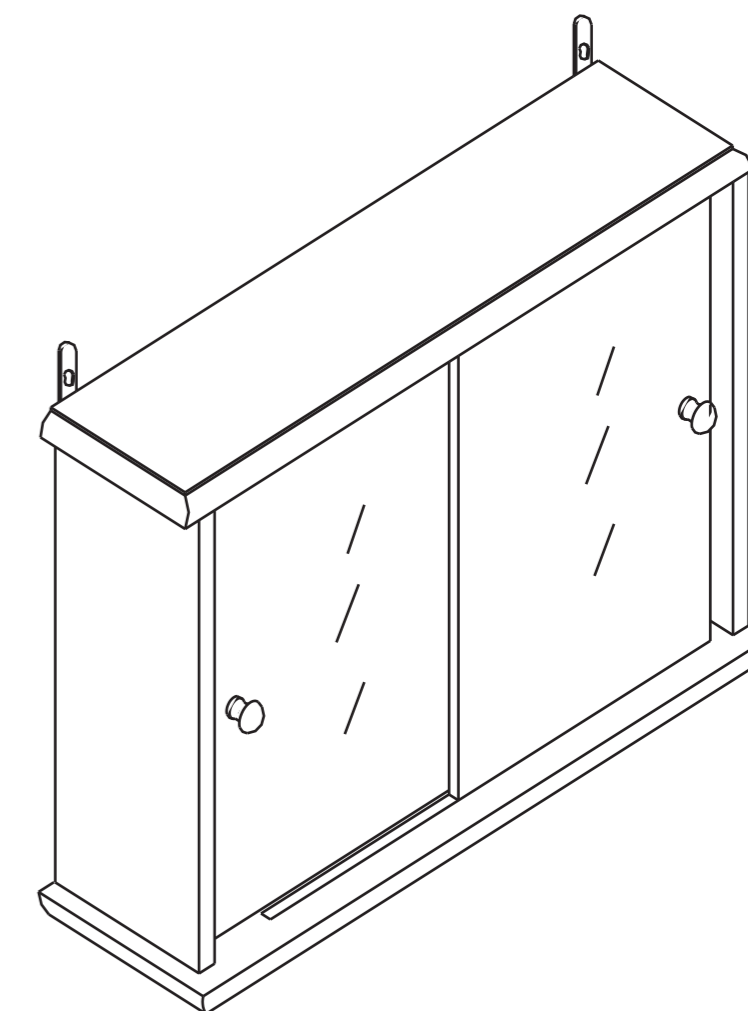
If you need help or have damaged or missing parts, call the **Customer Helpline: 0845 640 0800**

Sliding Door Cabinet

Edition 3

Assembly Instructions- please keep for future reference

832/0586



Dimensions

Width - 55cm
Depth - 14cm
Height - 36cm

Important – Please read these instructions fully before starting assembly

If you need help or have damaged or missing parts, call the **Customer Helpline: 0845 640 0800**

⚠ Safety and Care Advice

Important – Please read these instructions fully before starting assembly

- Check you have all the components and tools listed below and opposite.
- Remove all fittings from the plastic bags and separate them into their groups.
- Keep children and animals away from the work area, small parts could choke if swallowed.
- Make sure you have enough space to layout the parts before starting.
- Do not stand or put weight on the product, this could cause damage.
- Assemble the item as close to its final position (in the same room) as possible.
- Assemble on a soft level surface to avoid damaging the unit or your floor.
- Parts of the assembly will be easier with 2 people.



• We do not recommend the use of power drill/drivers **for inserting screws**, as this could damage the unit. Only use hand screwdrivers.

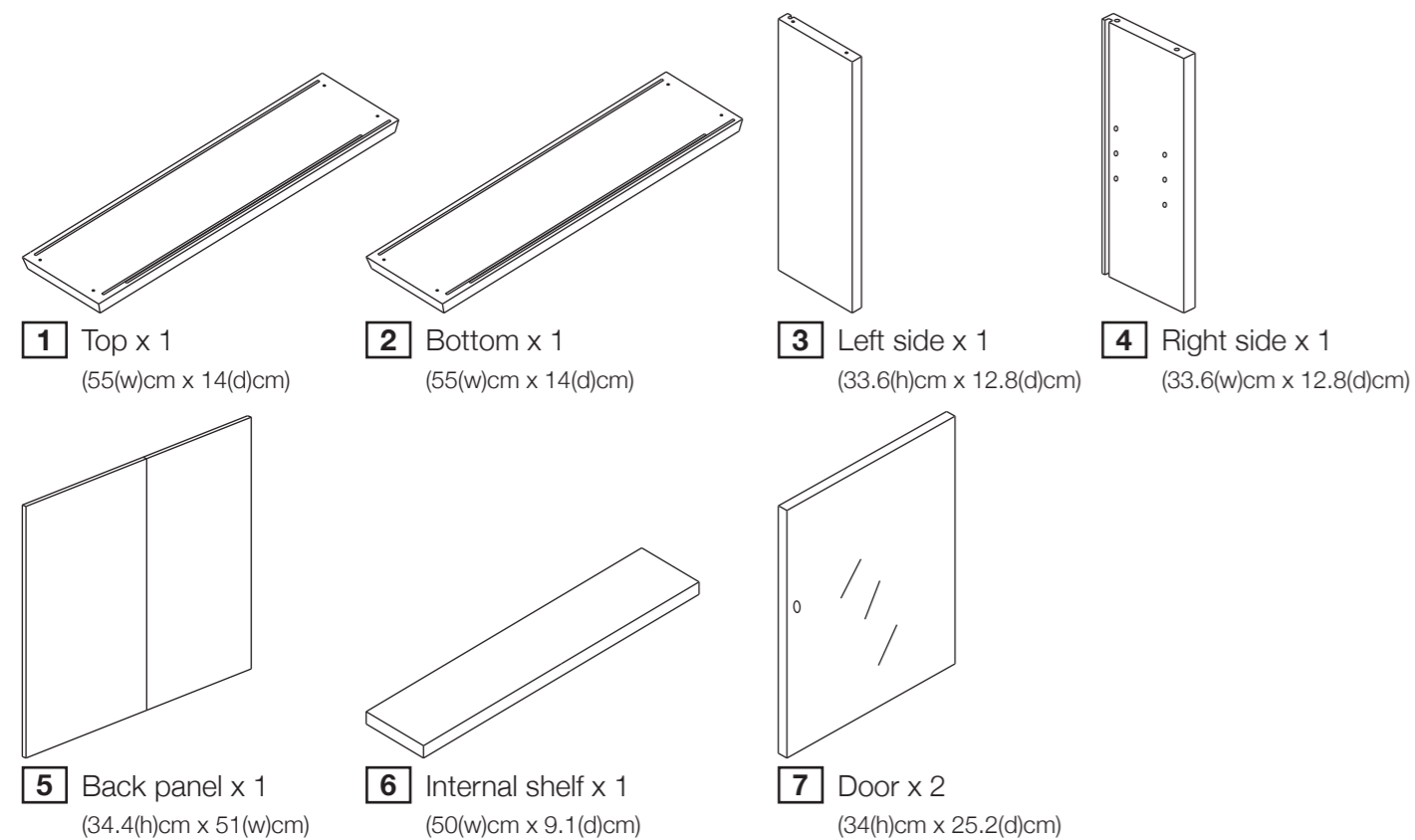
• Dispose of all packaging carefully and responsibly.

Care and maintenance

- Only clean using a damp cloth and mild detergent, do not use bleach or abrasive cleaners.
- From time to time check that there are no loose screws on this unit.
- This product should not be discarded with household waste. Take to your local authority waste disposal centre.

Components - Panels

Please check you have all the panels listed below



Components - Fittings

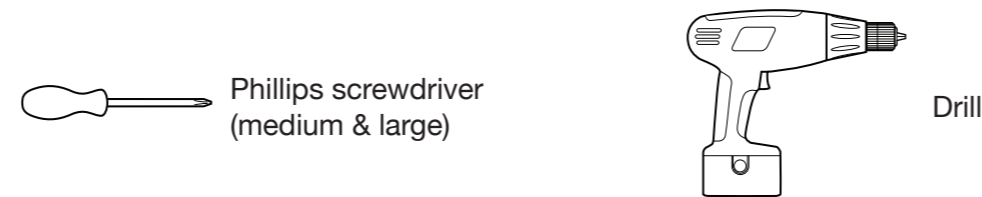
If you have damaged or missing components, call the **Customer Helpline: 0845 640 0800**

Please check you have all the fittings listed below

Note: The quantities below are the correct amount to complete the assembly. In some cases more fittings may be supplied than are required.

A 35mm Male camlock x 8	B Female camlock x 8	C Shelf bracket x4	D Knob x 2	E 20mm Screw x 2
F Hanging bracket x 2	G 12mm Screw x 6	H Rawl plug x 2	I 35mm Screw x 2	J Washer x 2

Tools required



Ruler – Use this ruler to help correctly identify the screws



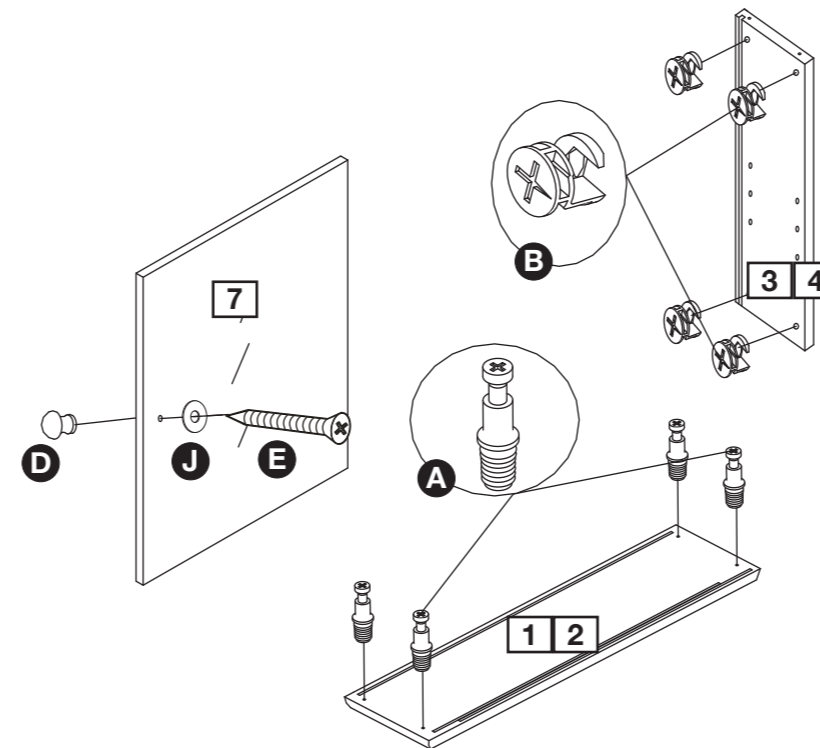
Assembly Instructions

Step 1

Screw the knobs **D** to the doors **7** using screw **E** and washer **J** as shown.

Insert 4 x female camlock **B** into each of the side panels **3 4** as shown.

Insert 4 x male camlock **A** into the top **1** and bottom **2** panels as shown.

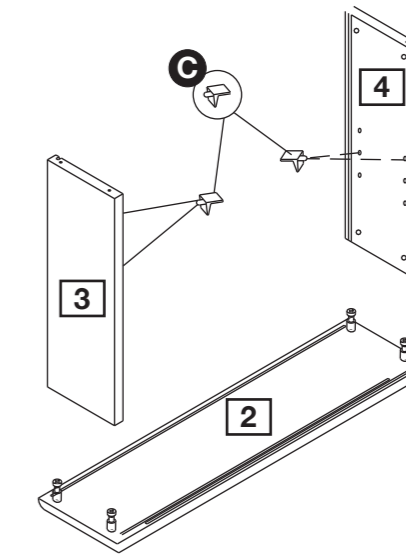


Assembly Instructions

Step 2

Insert 4 x shelf bracket **C** into the holes in the side panels **3 4**.

Mount the side panels **3 4** onto the bottom **2** and tighten the camlocks with a screwdriver.

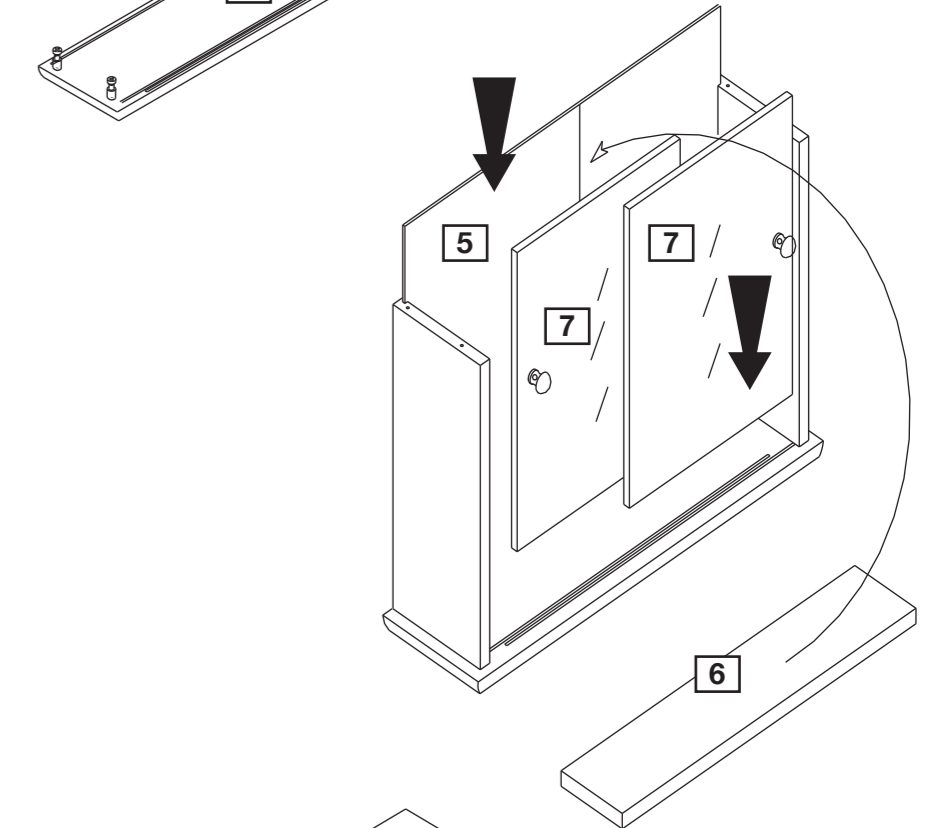


Step 3

Slot the back panel **5** into place as shown.

Place the internal shelf **6** onto the shelf brackets inside the unit.

Slot the doors **7** into place as shown.



Step 4

Push the top panel **1** into place to connect the camlocks. Tighten the camlocks using a screwdriver.

