

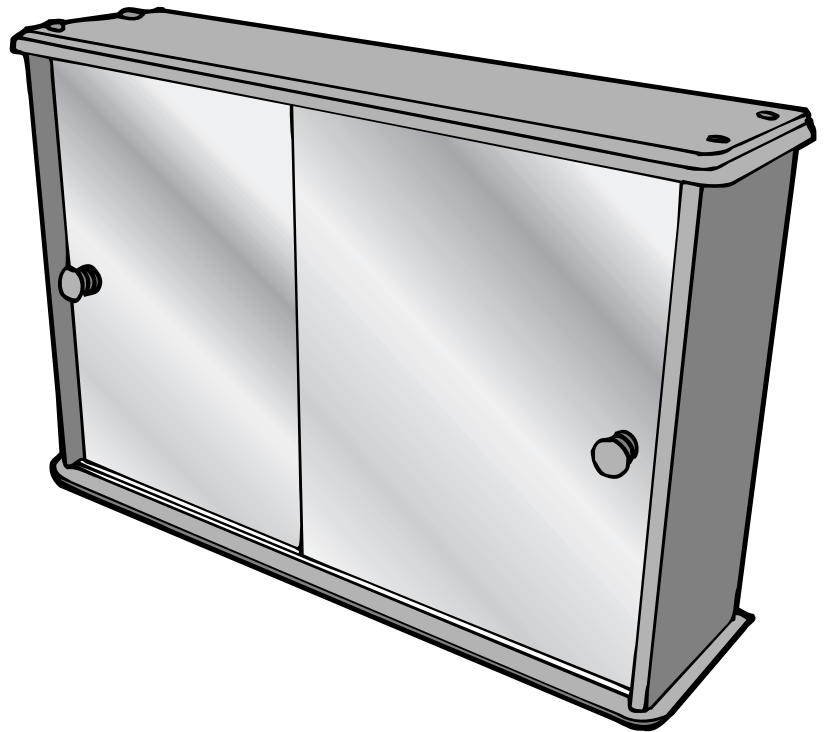
# SLIDING MIRROR DOOR CABINET

## Simple Assembly Instructions

Page 1

### IMPORTANT

1. Read these instructions carefully and familiarise yourself with the procedures.
2. Check that you have all the component parts and fittings listed below and familiarise yourself with each part before proceeding.
3. To avoid scratching it is recommended that you assemble the cabinet on a soft level surface.



### COMPONENT PARTS AND FITTINGS



(A) Base x 1



(B) Side x 2



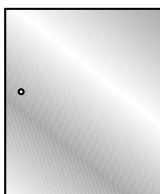
(C) Top with blocked runners x 1



(D) Back x 1



(E) Shelf x 1



(F) Glass Door x 2



(G) Door Knob x 2



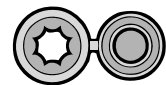
(H) Washer x 2



(I) Doorknob Screw x 2



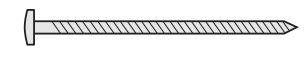
(J) 40mm Screw x 8



(K) Cap x 8



(L) Shelf Support x 4



(M) 50mm Screw x 2



(N) Wall plug x 2

## THE FRAME

1. Take Base (A) and secure it to Side (B) using Caps (K) and Wood Screws (J) (See figs 1 and 2).
2. Attach the second Side (B) to Base (A) in the same way (See figs 1 and 3).
3. Next, slide Back (D) down into the grooves making sure that the screw holes are at the top (See figs 3 & 4).
4. Fix Top (C) to the two sides (B) in the same way as the base (See figs 1, 3 and 5).
5. There are two positions for Shelf (E). When you have decided, push the four Shelf Supports (L) into the relevant holes (See fig 5). **DO NOT FIT THE SHELF AT THIS STAGE.**

Before fitting the doors, it is recommended that you fix the cabinet to the wall.

## WALL FIXING

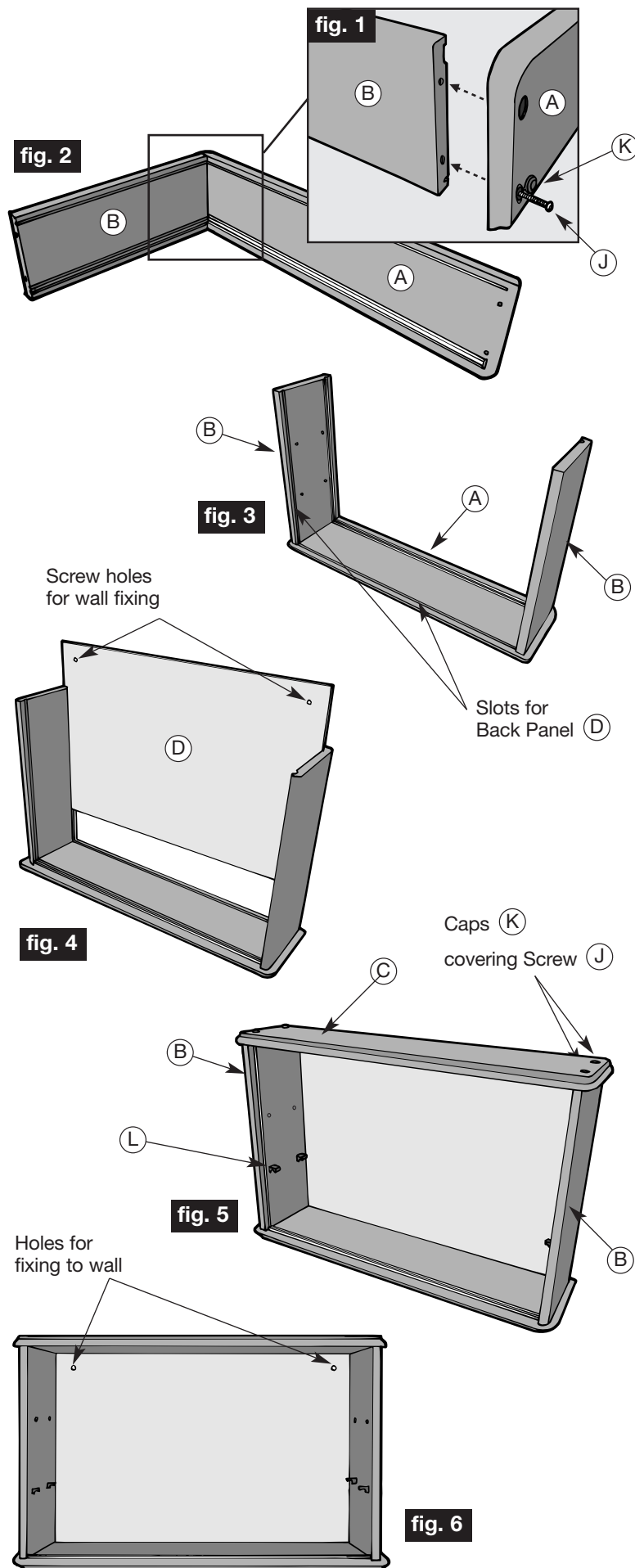
1. Hold the cabinet against the wall with the help of a second person. Having made sure it is horizontal, mark the wall through the two holes in Back Panel (D) (See fig 6). Using the marks, drill two holes in the wall and insert the Wall Plugs (N).
2. Fix the cabinet to the wall with Screws (M).

### IMPORTANT

When drilling into walls be certain that there are no hidden wires, pipes etc. You must also make sure that the screws and wall plugs supplied are suitable. If in doubt consult a qualified tradesman.

3. Place the Shelf (E) in position.

**MAKE SURE THE CABINET IS SECURE**



## FITTING DOOR KNOBS

1. Fit Screw (I) into Washer (H) and push it through the hole in the back of the Glass Door (F). Then carefully screw the Doorknob (G) on the glass side of the door. (See fig 7).

## FITTING THE DOORS

1. Take the left door and fit the top edge into the back runner in top (C). Then let it drop down into the back runner in Base (A) (See figs 8, 9 & 10).
2. Repeat this operation with the right hand door using the front runners (See fig 10).
3. Carefully open and close the doors to make sure they are seated correctly in the runners.

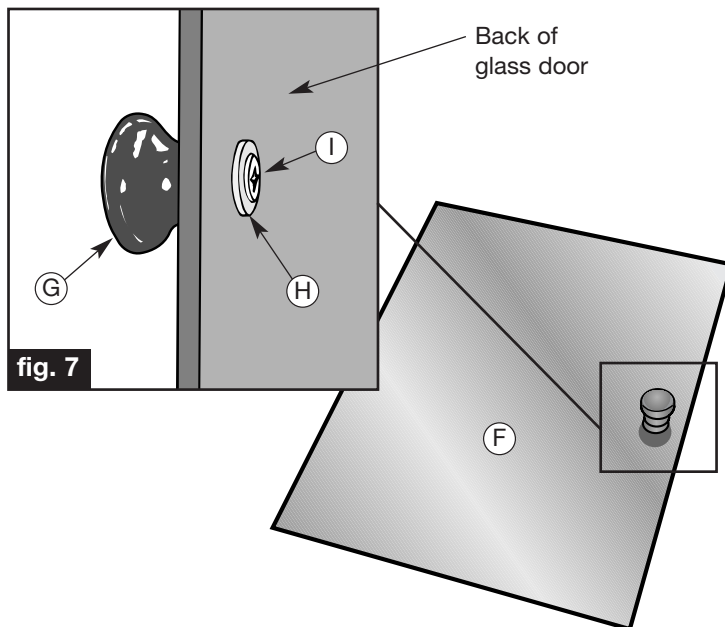


fig. 8 View of cabinet top

