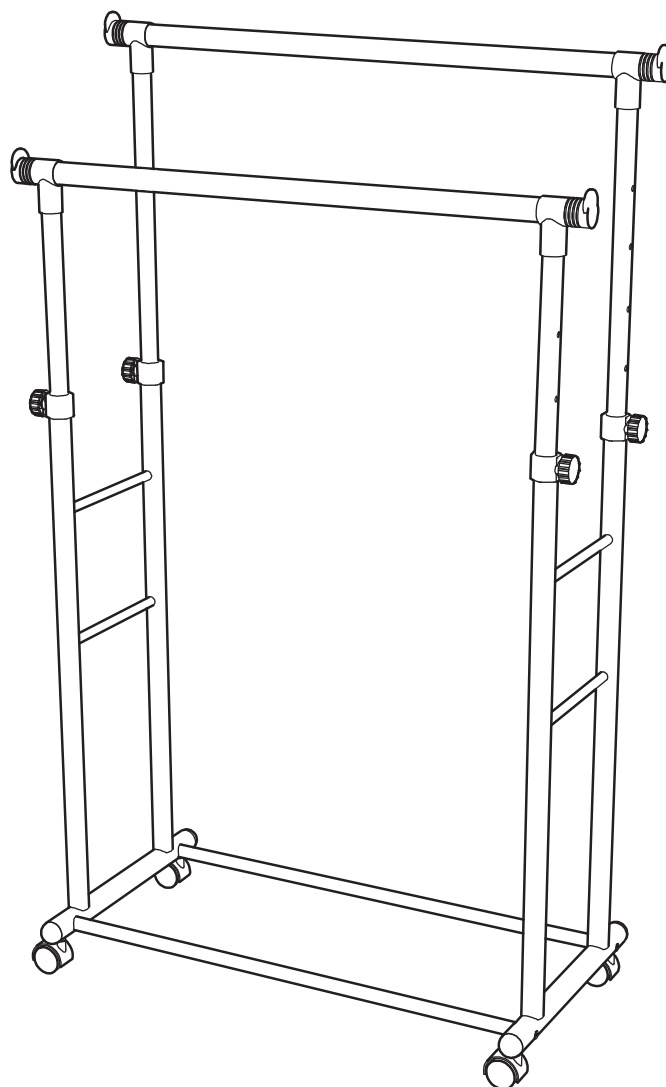


Chrome Double Tidy Rail HD 45KG

Assembly Instructions - Please keep for future reference

171/7639



Dimensions

Width - 80cm

Depth - 39.5cm

Height - 92/153.5cm

Important - Please read these instructions fully before starting assembly

If you need help or have damaged or missing parts, call the **Customer Helpline: 08456 400800**



Safety and Care Advice

Important - Please read these instructions fully before starting assembly

- Check you have all the components and tools listed on page 2.
- Remove all fittings from the plastic bags and separate them into their groups.
- Keep children and animals away from the work area, small parts could choke if swallowed.
- Make sure you have enough space to layout the parts before starting.

- Assemble on a soft level surface to avoid damaging the unit or your floor.
- Parts of the assembly will be easier with 2 people.
- If using power tools, please follow the safety instructions supplied with the tools.
- Assemble the unit as close to its final position (in the same room) as possible.



- We do not recommend the use of power drill/drivers **for inserting screws**, as this could damage the unit. Only use hand screwdrivers.
- Dispose of all packaging carefully and responsibly.

Care and maintenance

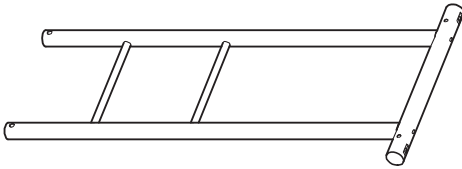
- Only clean using a damp cloth and mild detergent, do not use bleach or abrasive cleaners.
- From time to time check that there are no loose screws on this unit.
- This product should not be discarded with household waste. Take to your local authority waste disposal centre.

Components - Parts

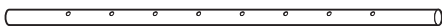
If you have damaged or missing components, call the **Customer Helpline: 08456 400800**

Please check you have all the panels listed below

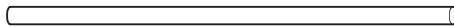
- 1** Side Shelf x 2 (77.7cm)



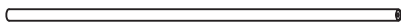
- 2** Side Tube x 4 (79cm)



- 3** Hanger x 2 (79cm)




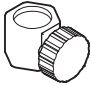
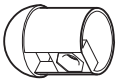



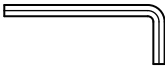
- 4** Bottom Crossbar x 2 (73cm)



Components - Fittings

Please check you have all the fittings listed below

Note: The quantities below are the correct amount to complete the assembly. In some cases more fittings may be supplied than are required.

<p>A</p>  <p>Connector x 4</p>	<p>B</p>  <p>Lock x 4</p>	<p>C</p>  <p>End Cap x 4</p>
<p>D</p>  <p>Bolt 32mm x 4</p>	<p>E</p>  <p>Castor x 4</p>	<p>F</p>  <p>Spanner x 1</p>
<p>G</p>  <p>Allen key x 1</p>		

Assembly Instructions

Step 1

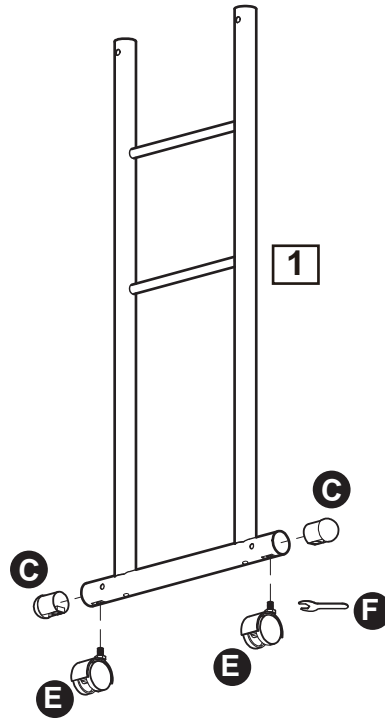
Note: It would be useful to ask someone to help you at this stage.

a: Insert End cap **C** into Side shelf **1**. Ensure the inner thread of End cap **C** correctly aligns with hole for Castor **E** in Side shelf **1**, then screw Castor **E** into position and tighten firmly with Spanner **F**.

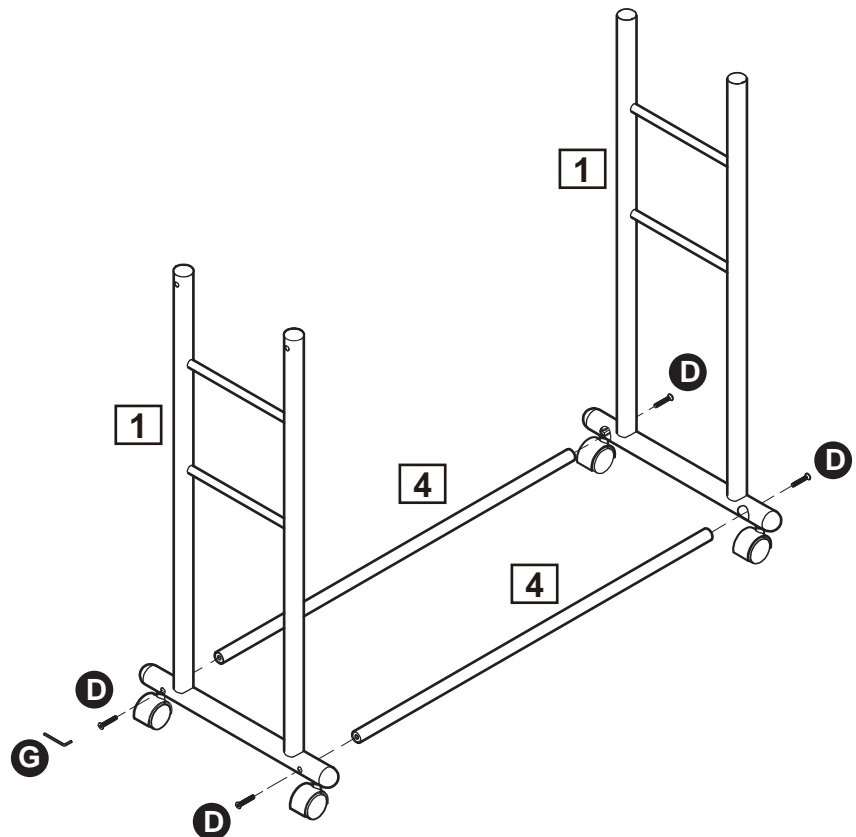
Repeat Step **a:** to assemble other Side shelf **1** with Castor **E**.

b: Insert Bottom crossbar **4** into the hole on Side Shelf **1**, then lock by Bolt **D** and tighten by Allen key **G**.

a:



b:



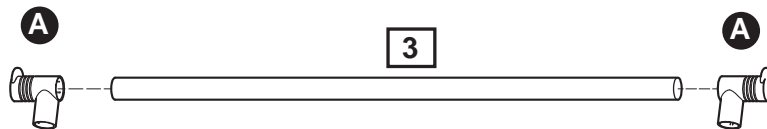
Assembly Instructions

Step 2

Fitting the Hanging rail

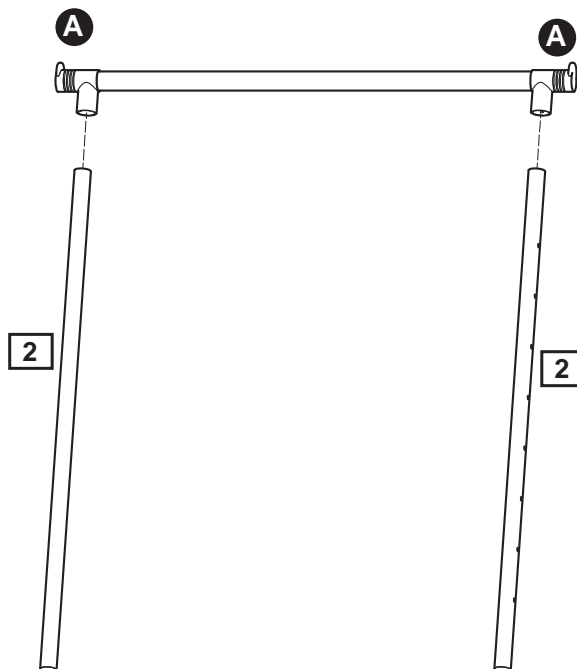
a: Push Connector **A** into both ends of Hanger **3**.

a:



b: Push Side tube **2** into Connector **A**.

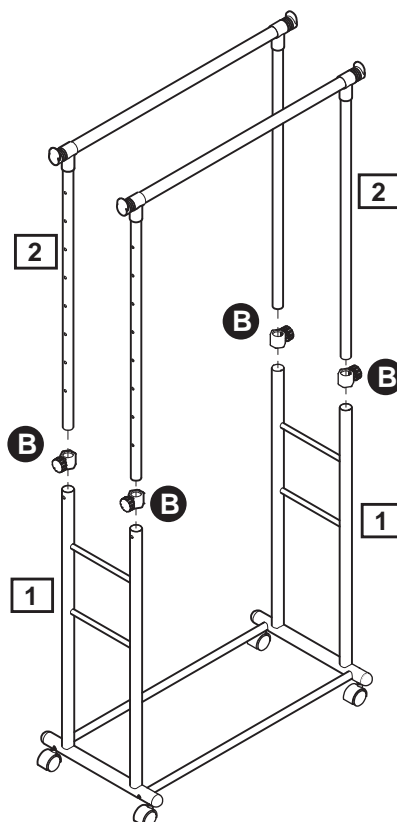
b:



Repeat Step **a:** & **b:** to assemble other Hanger with Side tube **2**.

c: Slightly loosen Lock **B**, then put Lock **B** onto the top end of Side shelf **1**. Insert the bottom end of Side tube **2** into Lock **B** till the desired height, then tighten Lock **B**.

c:



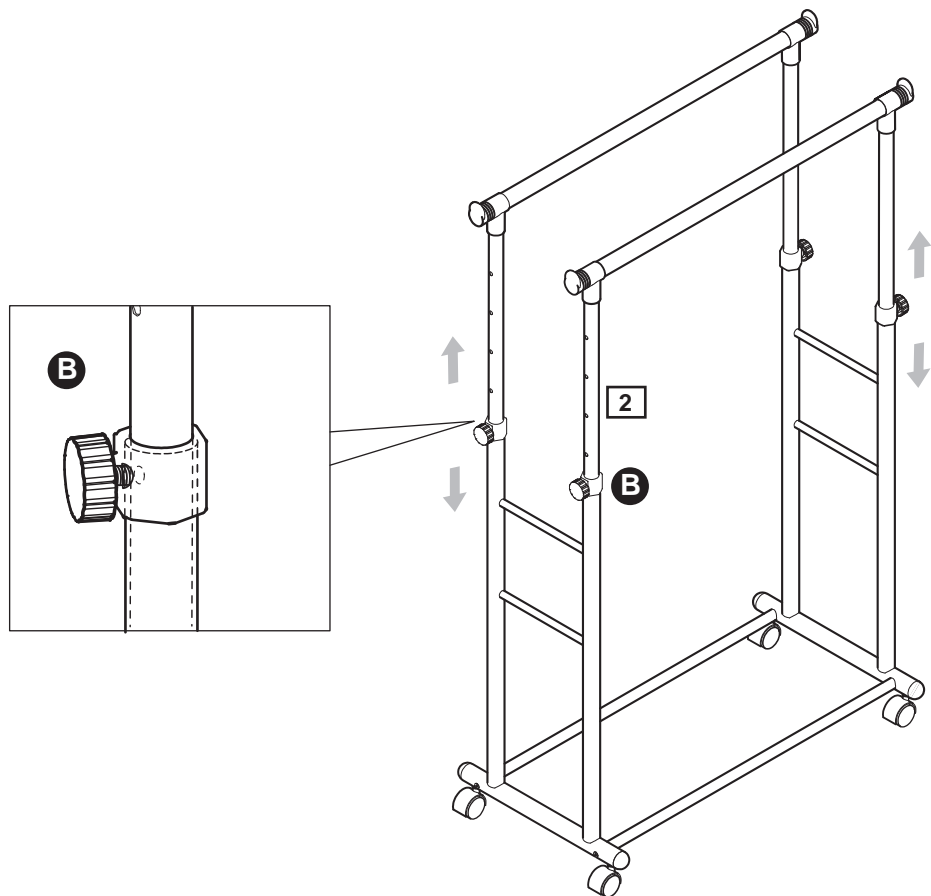
Assembly Instructions

Step 3

Note: It would be useful to ask someone to help you at this stage.

Set the height of the unit.

Loosen Lock **B**, adjust Side tube **2** either downward or upward till the desired height, then tighten Lock **B** to fix the height.



Assembly is complete.

If you need help or have damaged or missing parts, call the **Customer Helpline: 08456 400800**