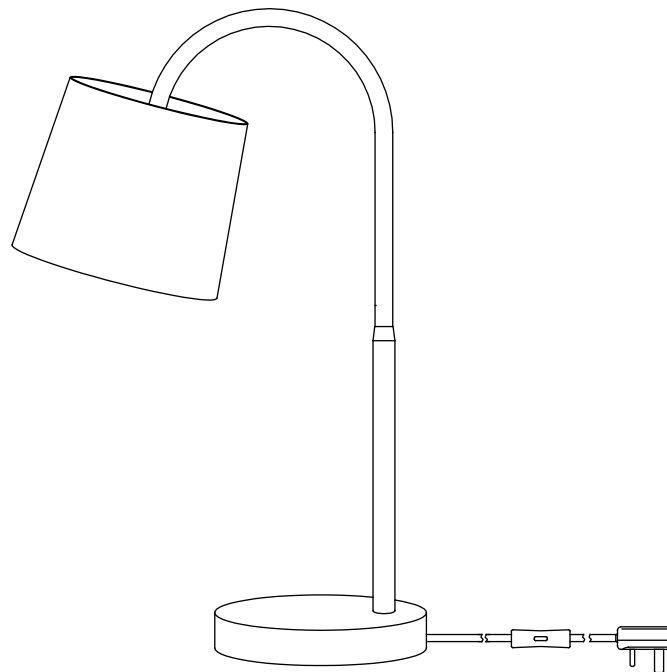




Table Lamp

4840204



Dimensions

Width- 29.0cm

Depth-15.0cm

Height- 45.0 cm

Care & Instruction Manual

For household and indoor use only

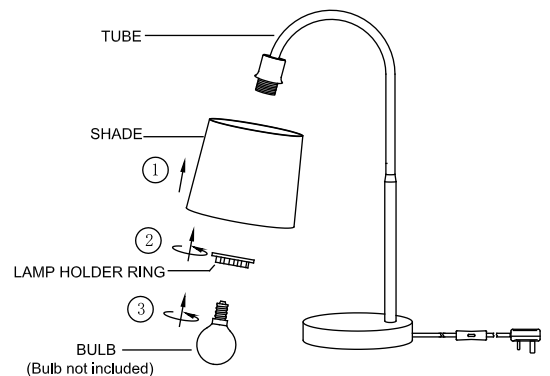
Please read and retain these instructions for future reference

Important

- Read these instructions carefully and familiarize yourself with the procedure before assembling the unit.
- Take all the components and fittings out of the plastic bag and separate them into their groups.
- Ensure you have enough space to lay out all the parts before assembly.
- Always be sure to use the correct type and wattage of bulbs as indicated on the fitting. Never exceed the wattage stated.
- To avoid scratching it is recommended that you assemble the unit on a soft level surface.
- When changing the bulb, always switch off at the mains and allow the old bulb to cool down before handling. Dispose of used bulbs carefully.
- This product is designed to be unaffected by interference (e.g. TV or radio).
- This luminaire is Class II insulated. If the external flexible cable or cord of this luminaire is damaged, it shall be exclusively replaced by the manufacturer or his service agent or a similar qualified person in order to avoid a hazard.
- The luminaire is designed for indoor use only.
- Not suitable for use with a dimmer switch.

Instruction for use

1. Place the table lamp on a flat surface.
2. Remove the lamp holder ring from the lamp holder.
3. Put the shade on the lamp holder and use the ring to fix it.
4. Fit the bulb in the lampholder. Type and wattage are indicated on the fitting. Ensure the wattage indicated is not exceeded.
5. Plug the table lamp into a suitable mains socket and test the lamp using the on/off switch on the cable.



Maintenance

This fitting is designed for internal use only. **Do not use polish or abrasive cleaner -just a soft dry cloth.**

Bulb Replacement

1. Switch off the mains power supply.
2. Before replacing the bulb, allow it to cool down for at least 10 minutes.
3. Never touch the bulb with your fingers directly, cover it with a cloth.
4. Loosen the bulb and remove it from the lamp.
5. Replace a new bulb with same voltage and wattage(Max.8W SES/E14 LED bulb).
6. Only compatible with LED bulbs.

Plug replacement

WARNING:

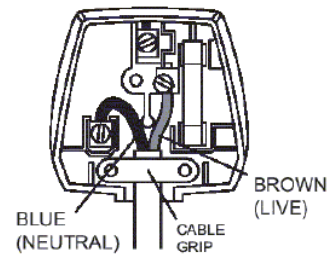
Never connect live or neutral wires to the earth terminal of the plug. Only fit an approved 13 Amp BS1363/A plug and the correct rated fuse. If in doubt, consult a qualified electrician.

IMPORTANT:

This unit is a Class II appliance and no connection is to be made to the earth terminal of the plug. The wires inside the plug are coloured as follows:

Blue - Neutral

Brown - Live



As the colours of the wires in the mains lead of this apparatus may not correspond with the coloured markings identifying the terminals in your plug, proceed as follows:

- The wire which is coloured blue must be connected to the terminal which is marked with N or coloured blue.
- The wire which is coloured brown must be connected to the terminal which is marked L or coloured brown. Always ensure that the plug cord grip is fastened correctly.
- **No connection is to be made to the earth terminal of the plug.**

If a 13A (BS1363) fused plug is used, it must be fitted with a 3A fuse conforming to BS1362 and be ASTA approved. Only replace the fuse with a same rated fuse. If in doubt, please contact a qualified electrician.



Recycling electrical products

You should now recycle your waste electrical goods and in doing so help the environment. This symbol means an electrical product should not be disposed of with normal household waste. Please ensure it is taken to a suitable facility for disposal.

Visit www.recycle-more.co.uk, click on "bank locator" and enter your postcode to find your nearest recycling site.



We care about our quality and what you think, if you have any comments, good and bad, Please call our Careline 0345 640 2020
Or visit **Habitat.co.uk**
Your statutory rights are not affected.

Made in China for Habitat, Argos Limited, London, EC1N 2HT, UK. Argos (N.I.) Ltd, Forestside Shopping Centre, Upper Galwally, Belfast, BT8 6FX, UK.