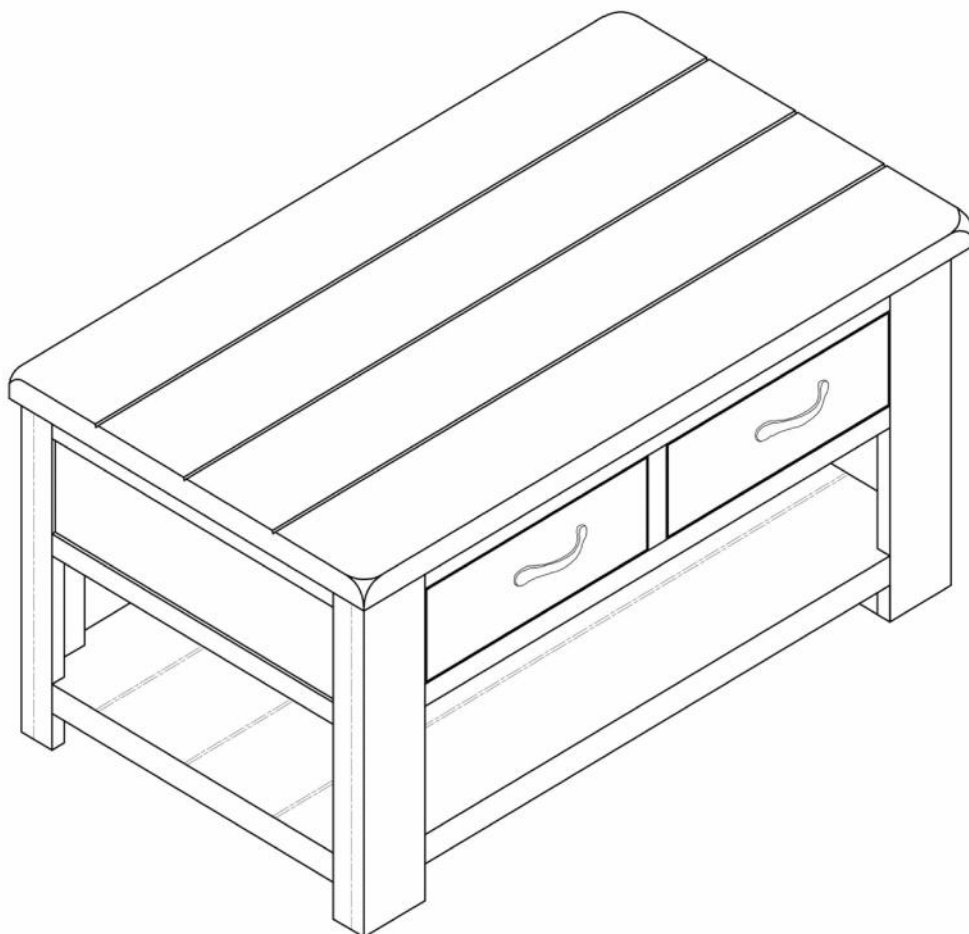


# ARIZONA COFFEE TABLE W/2 DRAWER

Assembly Instruction - Please keep for future reference

4818377



## Dimensions

Width - 100 cm  
Depth - 60 cm  
Height - 50 cm

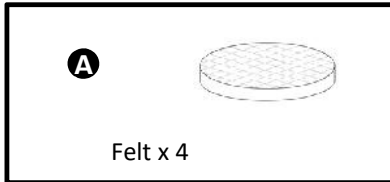
**Important - Please read these instructions fully before starting assembly**

If you need help or have damaged or missing parts, call the Customer Helpline:  
Argos = 0345 6400800

# Components - Fittings

Please check you have all the fittings listed below

**Note:** The quantities below are the correct amount to complete the assembly. In some cases more fittings may be supplied than are required.



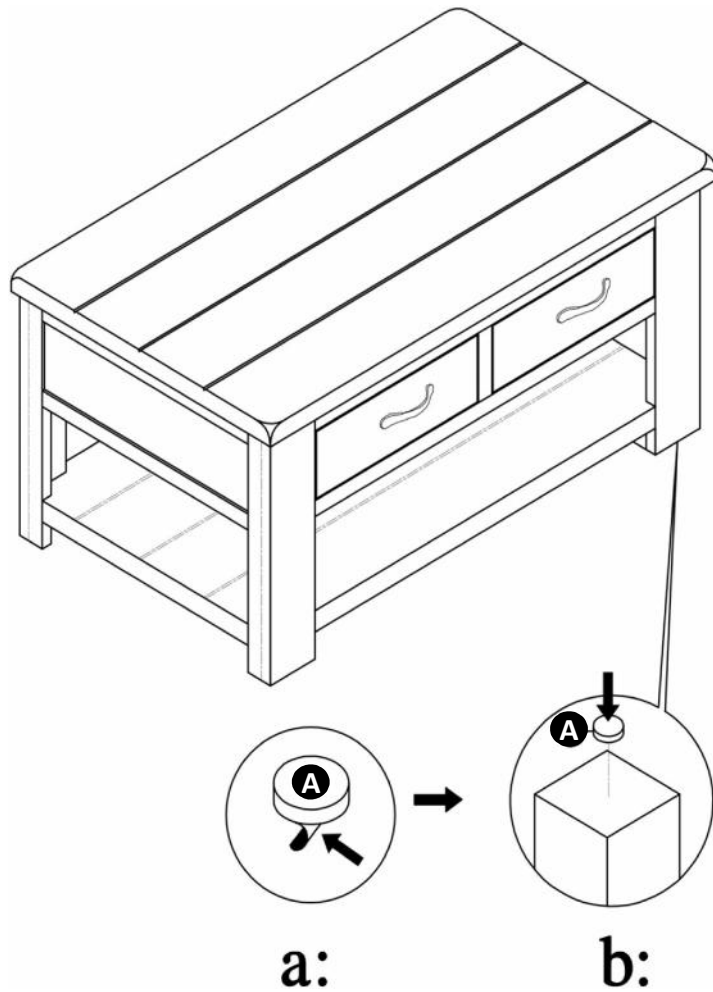
## Assembly Instructions

### Step 1

#### Attaching Felts

a: Remove the papers on felts **A** as shown.

b: Attach 4 felts **A** onto the bottom of all legs as shown.



If you need help or have damaged or missing parts, call the Argos = 0345 6400800

Customer Helpline: