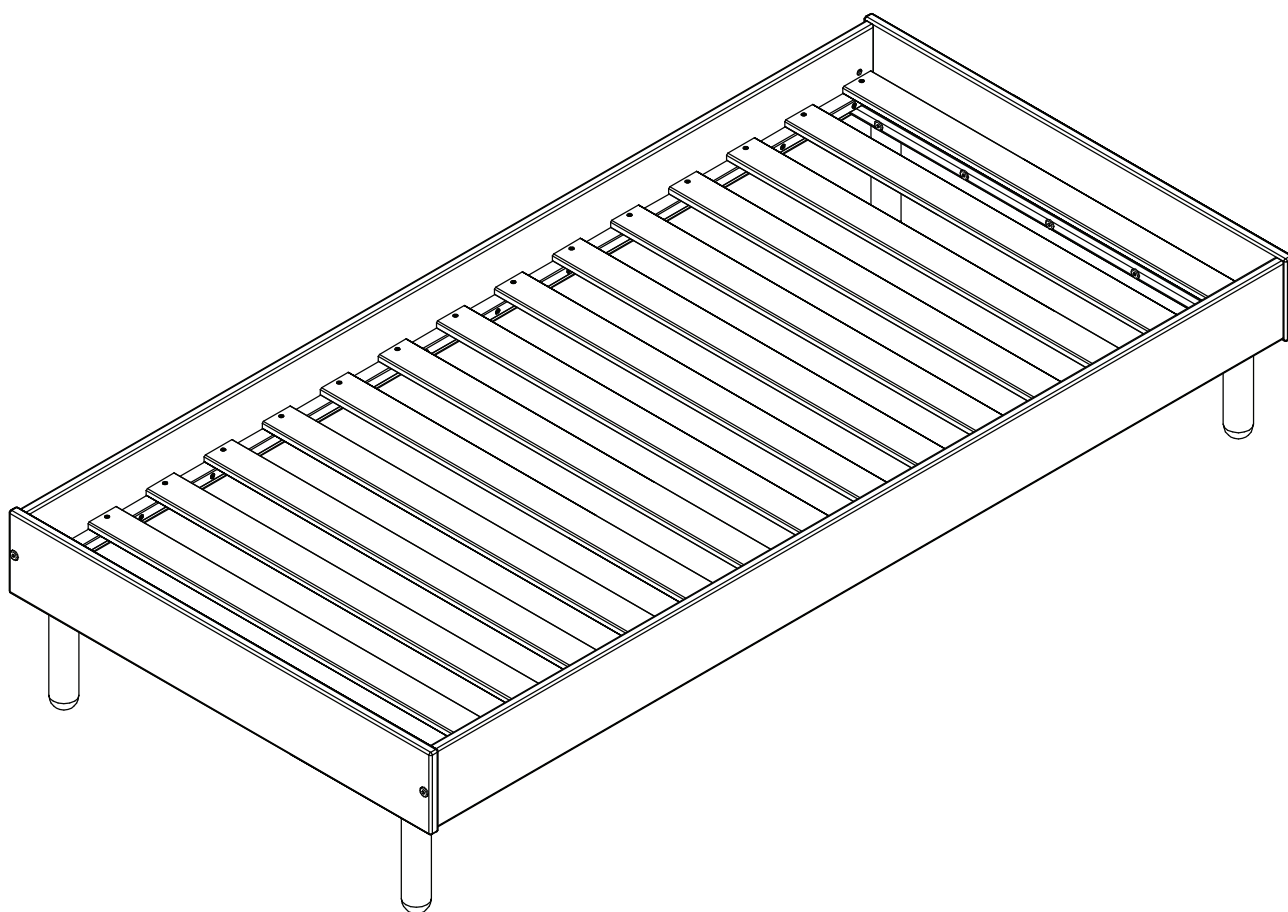


EDEN

habitat



Spare Parts

 www.argos-support.co.uk

 Help@ClickSpares.co.uk

 0370 112 1928

Customer Support

 0045 7668 8055

Safety and Care Advice

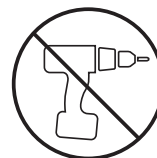
Product Details

Rose 484/5041
White 474/6841

IMPORTANT, RETAIN FOR FUTURE REFERENCE: READ CAREFULLY.

- Keep children and animals away from the work area. Small parts could choke if swallowed.
- Make sure you have enough space to layout the parts before starting.
- This product has been constructed to be used in the domestic environment only and not for commercial purposes.
- Assemble the item as close to its final position (in the same room) as possible.

- Assemble on a soft level surface to avoid damaging the unit or your floor.
- Parts of the assembly will be easier with 2 people.
- Assembly to be carried out by a competent adult only.
- Do not use this item if any components are missing or damaged



- We do not recommend the use of power drill/ drivers for inserting screws, as this could damage the unit. Only use hand screwdrivers.
- Dispose of all packaging carefully and responsibly.

Care and maintenance

- Only clean using a damp cloth and mild detergent. Do not use bleach or abrasive cleaners.
- Use a dry cloth to clean the product, furniture polish is not recommended.

From time to time check that there are no loose screws, nuts or bolts. If there are please re-tighten.

- This product should not be discarded with household waste. Take to your local authority waste disposal centre.

80-35101 Singlebed

IMPORTANT! KEEP FOR FUTURE REFERENCE

PLEASE DISPOSE OF PACKAGING MATERIAL.
PLASTIC BAGS CAN BE DANGEROUS TO YOUNG CHILDREN

WARNING! Not suitable for children under 4 years.

WARNING! Do not place this child's bed near heat sources, windows and other furniture.

WARNING! Do not use this child's bed if any of the parts are broken, torn or missing.

WARNING! Once assembled, this bed must not be disassembled. Screws must not be removed once inserted.

This child's bed is to be used with a 1900mm x 900mm mattress.

Suitable for over 4 years old to adults.

All assembly fixings should be checked periodically and re-tightened where necessary.

Children are likely to play, bounce, jump and climb on beds, therefore the child's bed should not be placed too close to other furniture or windows, blind cords, curtain pulls or other strings or cords, and should be placed either tight to any wall or have a gap of 300mm between the wall and the side of the bed.

Any additional or replacement parts should only be obtained from the manufacturer or distributor.

This product complies to standard BS8509: 2008+A1:2011

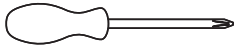
WARNING

**YOUR CHILDREN'S SAFETY
IS YOUR RESPONSIBILITY**

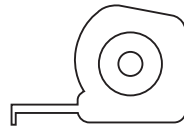
CARE AND MAINTENANCE

To clean use a damp cloth, avoiding the use of strong detergents or abrasives.

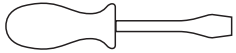
Tools required



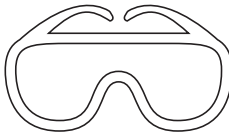
Phillips screwdriver
(small & medium)



Ruler/tape
measure



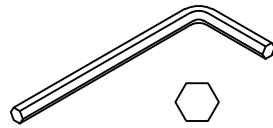
Flatblade screwdriver
(small & medium)



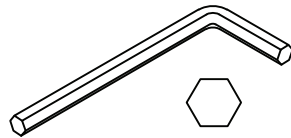
Eye protection
(when using a
hammer or glue)



Small hammer

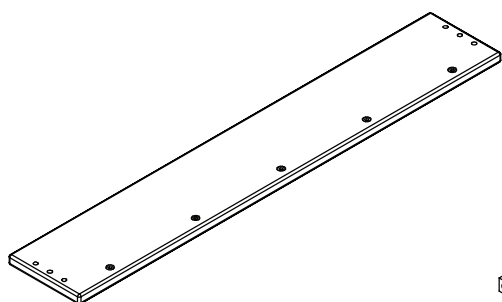


Allen key 4mm
(included)
No. 4033-002

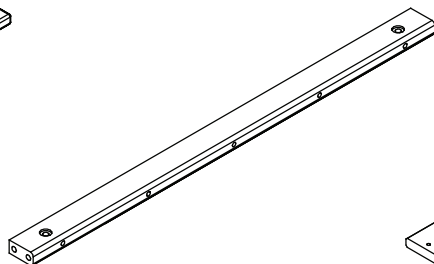


Allen key 5mm
(included)
No. 4033-005

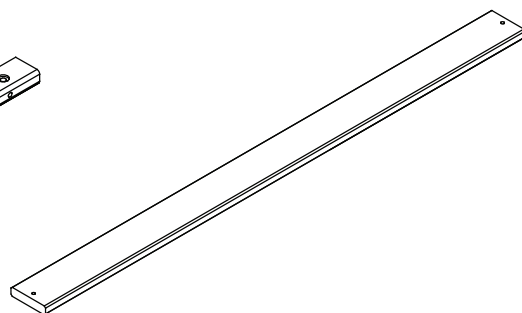
Components



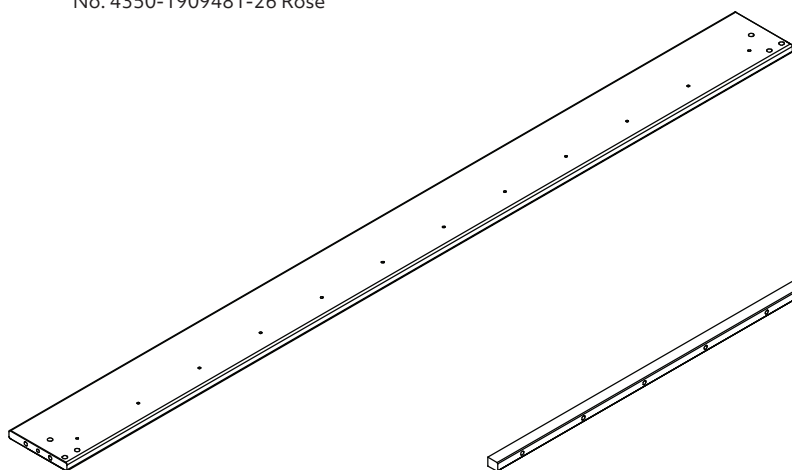
1 Bed end x2
(948x160x19mm)
No. 4350-1909481-40 White
No. 4350-1909481-26 Rose



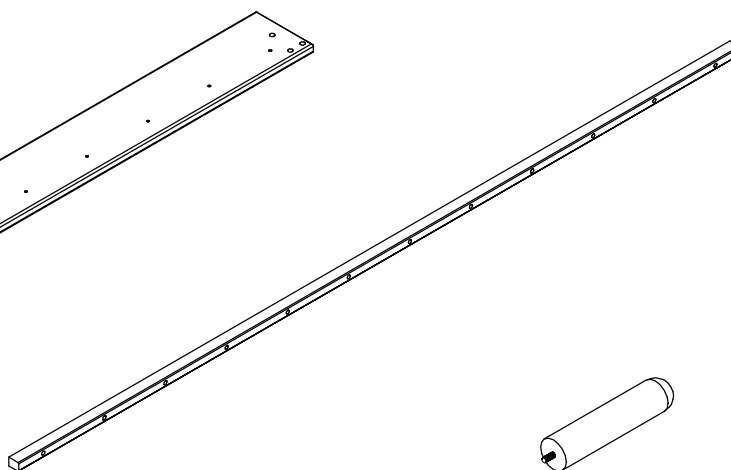
2 Cross rail x2
(901x54x26mm)
No. 12-02609012



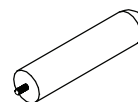
3 Slat x15
(897x65x14,7mm)
No. 12-01506971



4 Bed side x2
(1900x152x19mm)
No. 4301-1919004-40 White
No. 4301-1919004-26 Rose



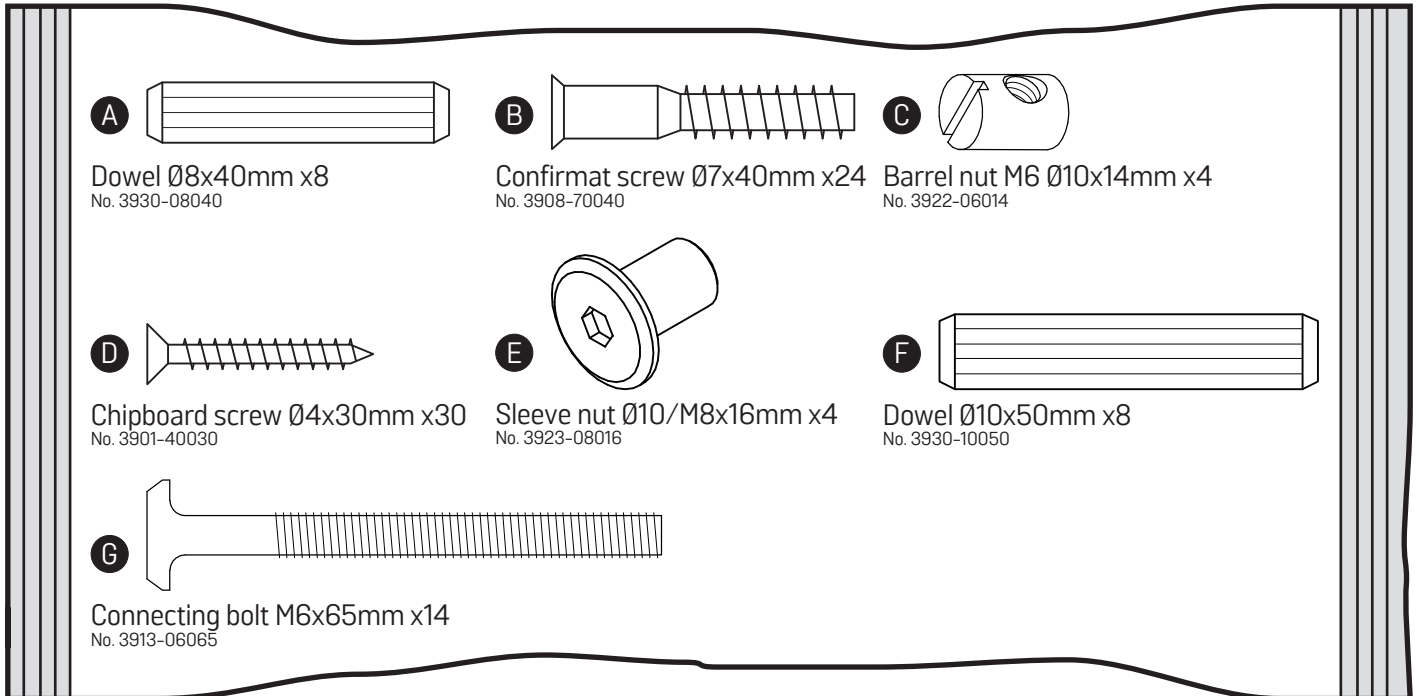
5 List x2
(1888x26x20mm)
No. 12-02018882



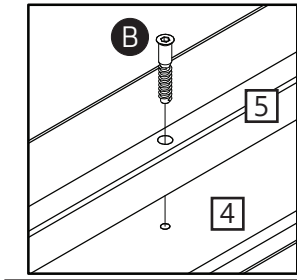
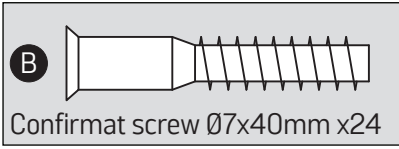
6 Leg x4
(Ø48x215mm)
No. 1341-02151

Fittings (Shown to scale)

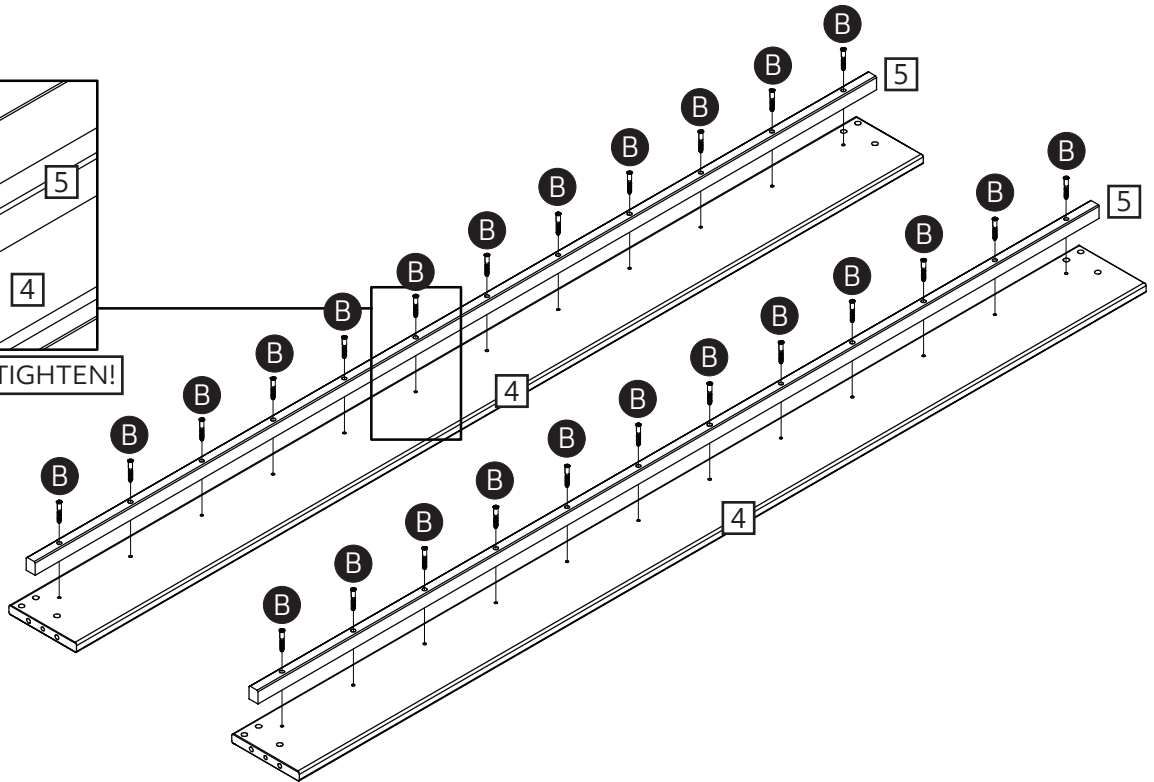
Bag 1



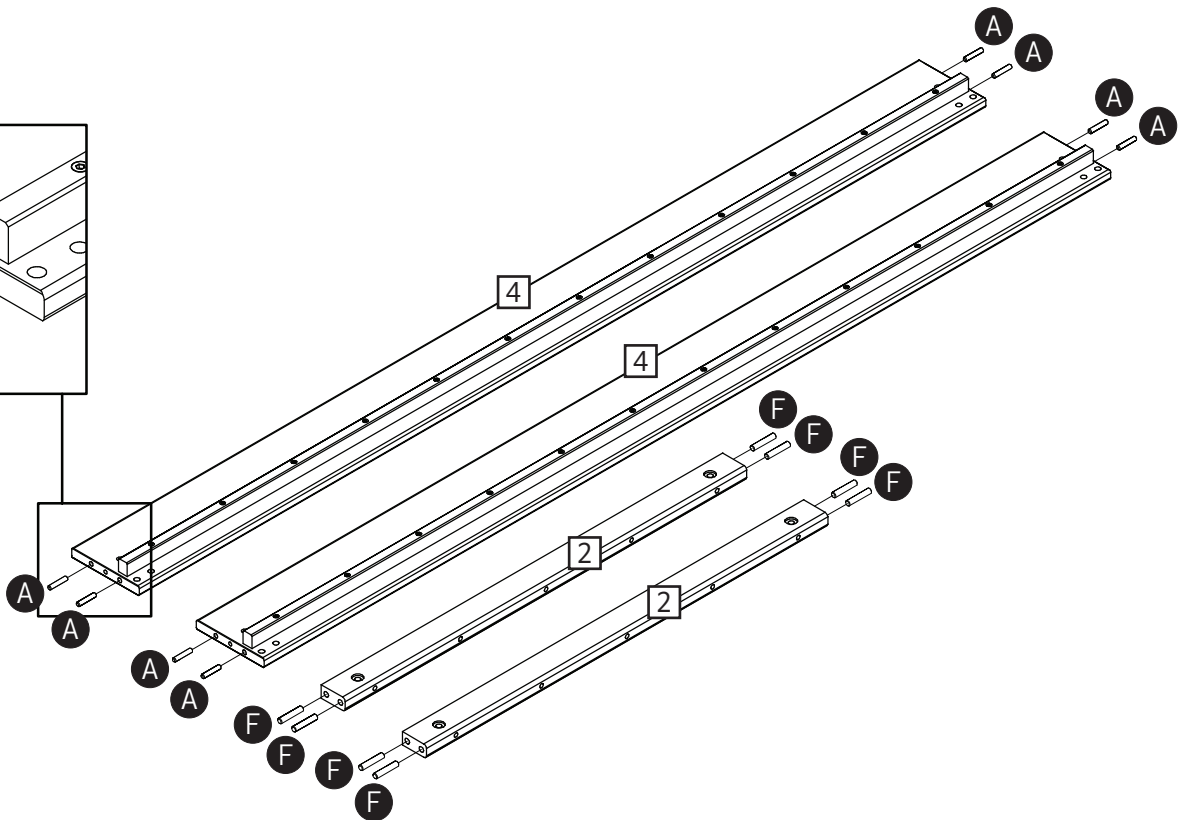
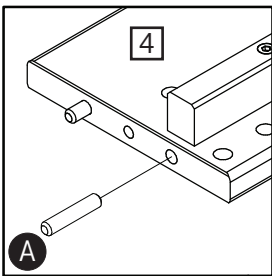
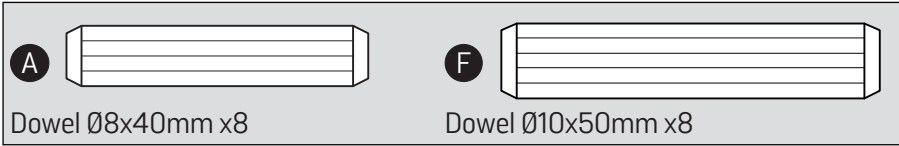
1



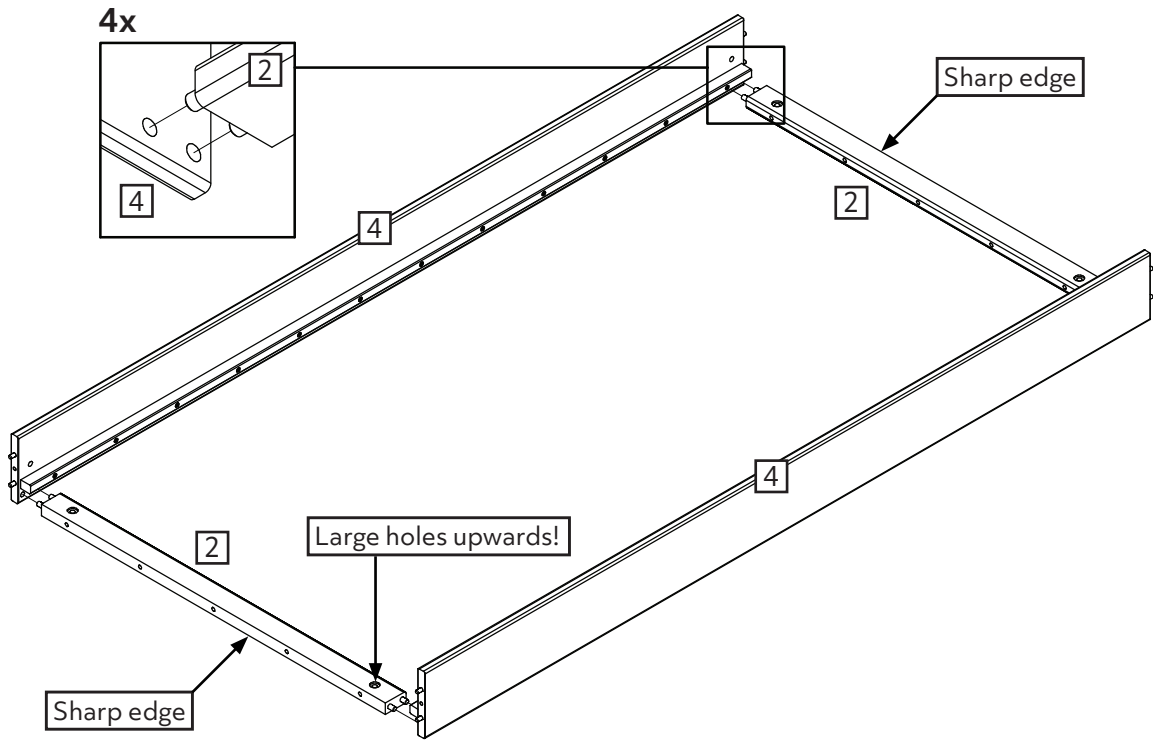
DO NOT OVERTIGHTEN!



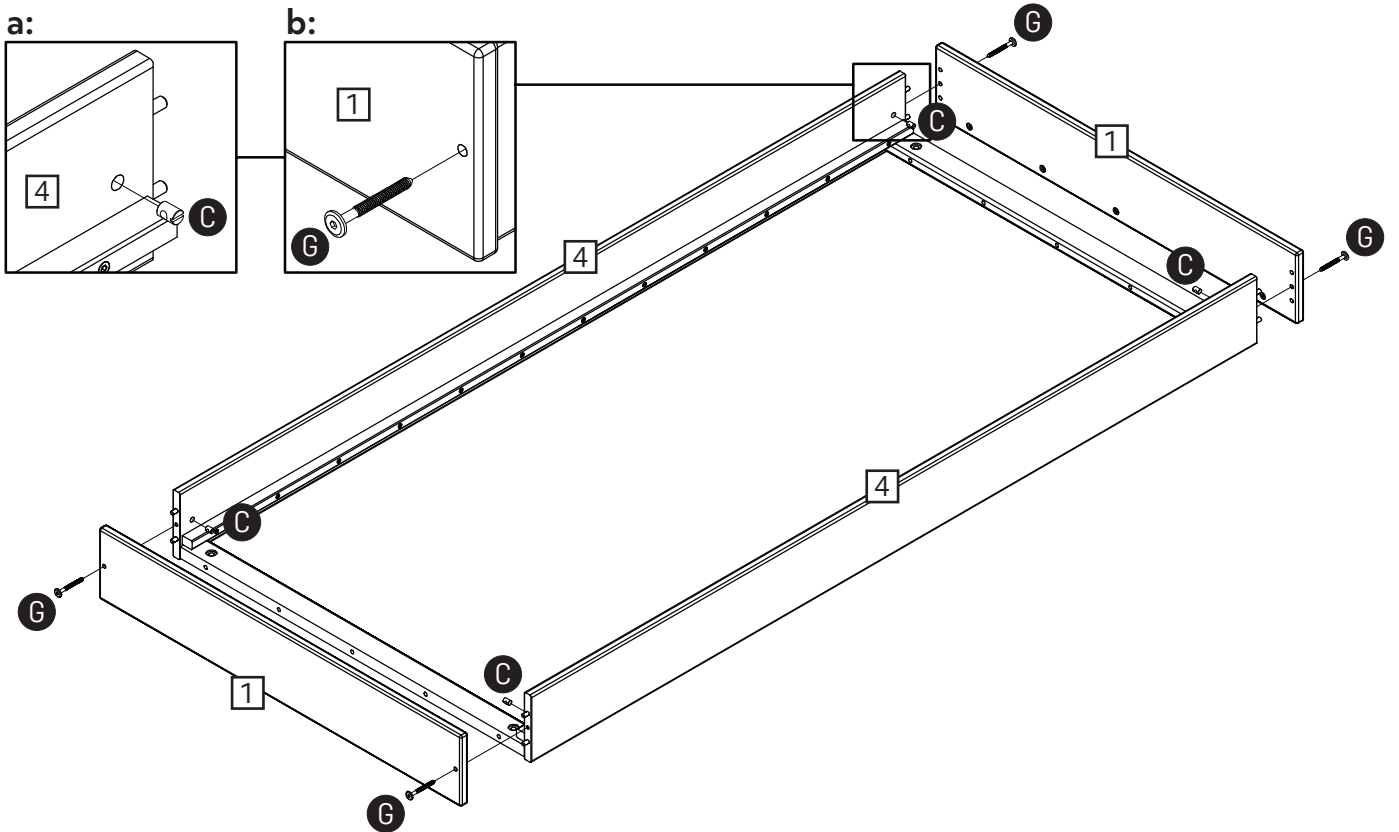
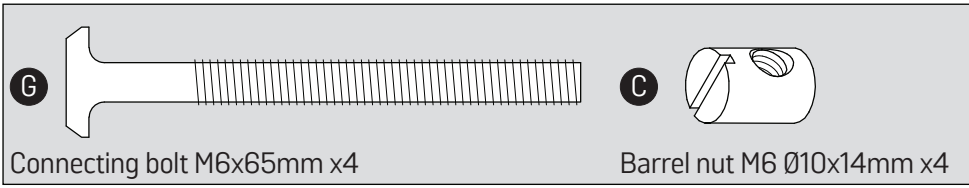
2



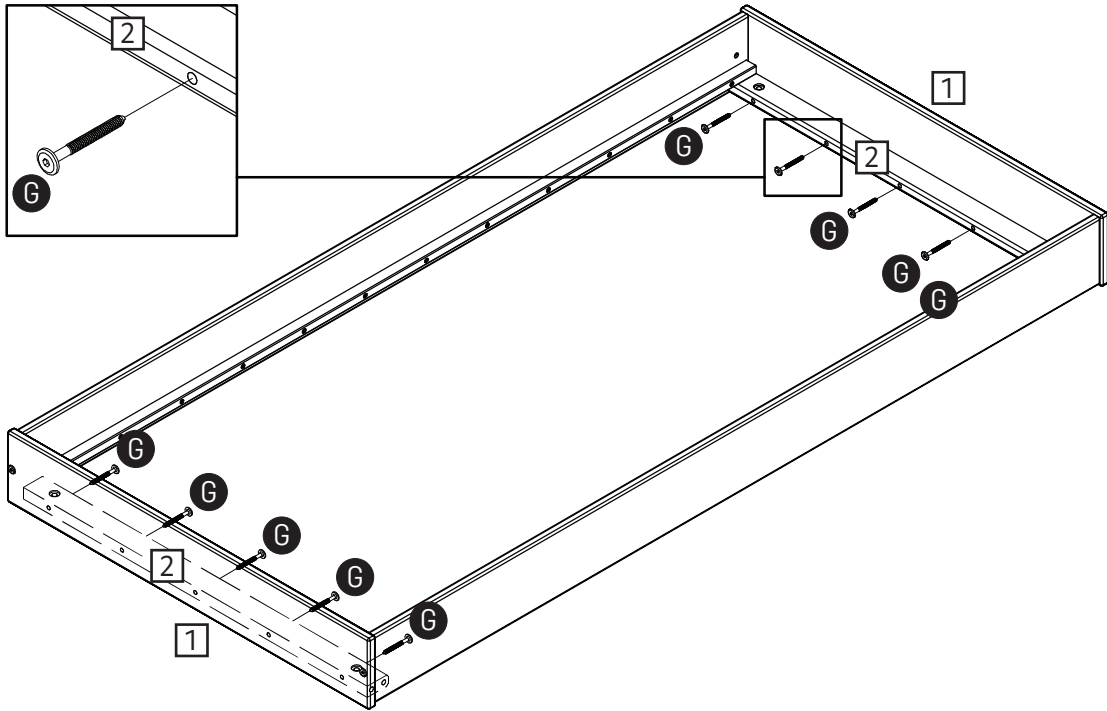
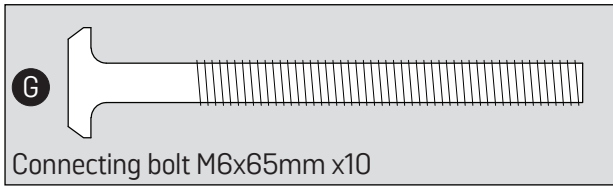
3



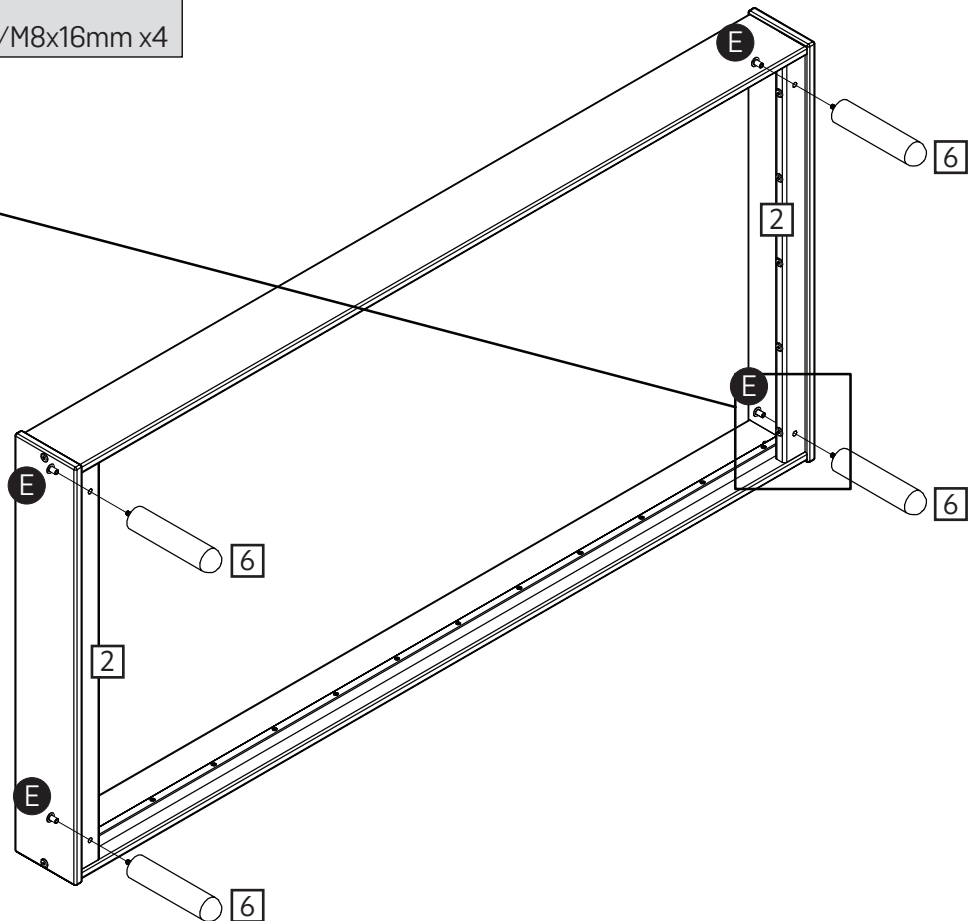
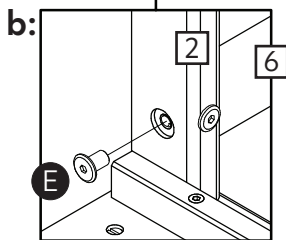
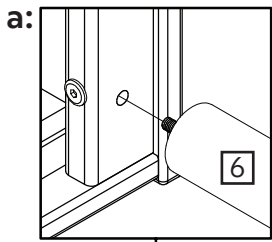
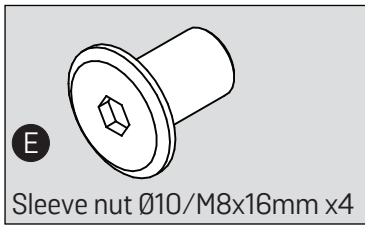
4



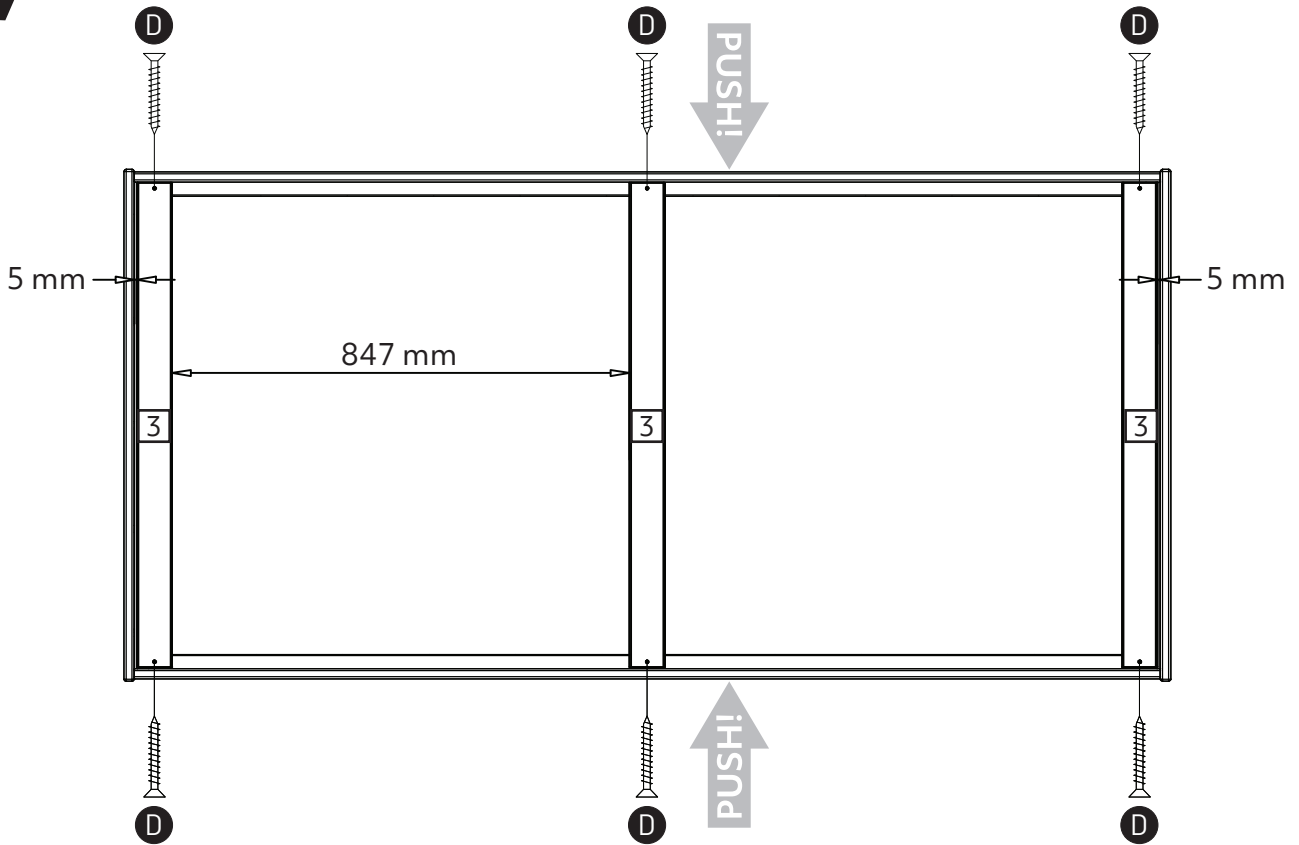
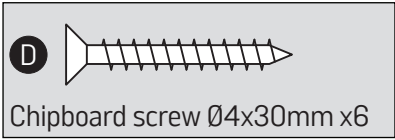
5



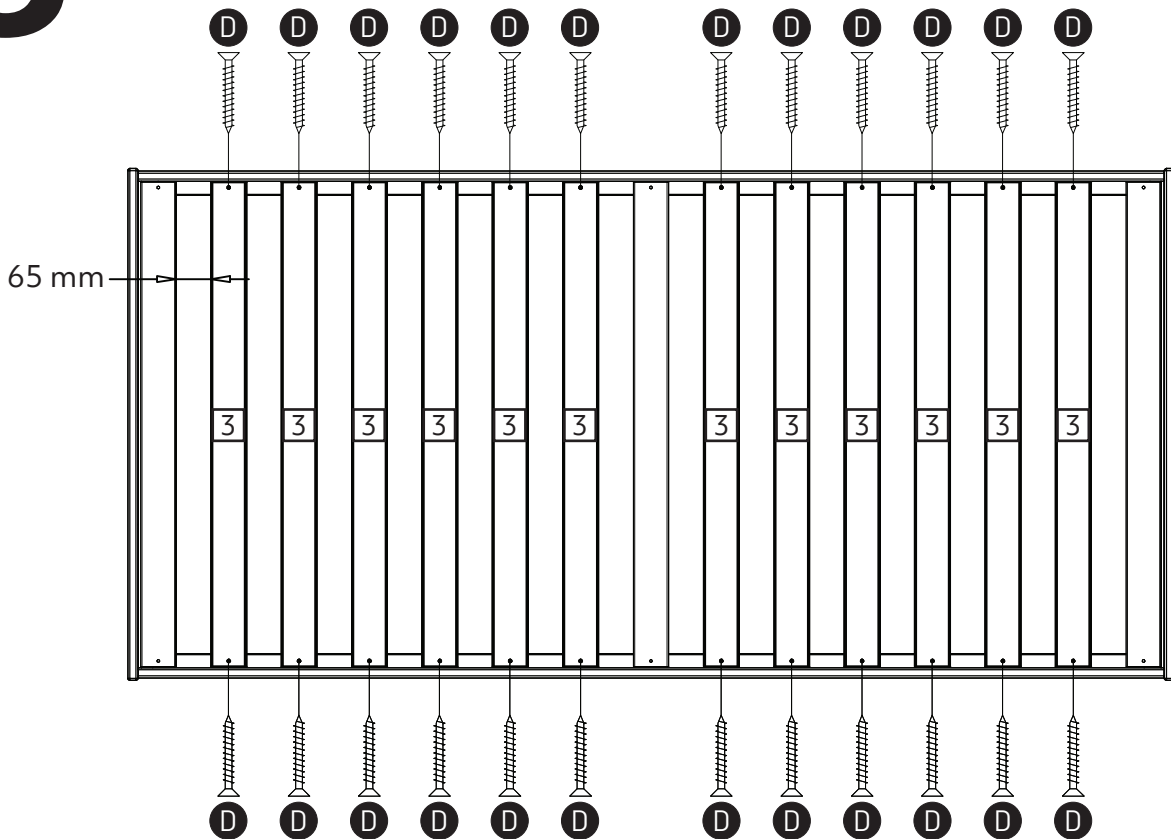
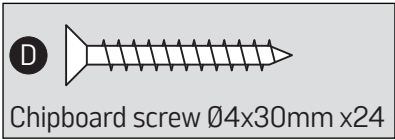
6



7



8



Your 2 Year Guarantee

Peace Of Mind

Knowing Your Furniture Is Protected

Protection received within the Manufacturer's Guarantee	Optional Added Protection with Furniture Care
Covers you for manufacturing defects for 2 years.	Covers you for accidental damage up to 3 years for incidents such as household spills, rips, tears and burns. Accidental damage cover begins from the moment your plan starts.
In the event of a problem within this time please call 0345 640 0800 , or visit an Argos store. Please retain your receipt and order number as proof of purchase.	If you want to purchase Furniture Care visit https://argos.productaftercare.co.uk or go into an Argos store.
Key exclusions applying to both the Manufacturer's Guarantee and Furniture Care include where the fault is due to misuse, abuse, deliberate damage, wear and tear, neglect, use in contravention with the instructions, or if the product has been the subject of unauthorised alterations or commercial use (for full list of exclusions please visit https://argos.productaftercare.co.uk or visit an Argos store for more information). You have up to 45 days post purchase to take out Furniture Care. Terms and conditions apply. Your statutory rights remain unaffected.	

Register

For Your Manufacturer's Guarantee

Thank you for choosing Argos Home.
We hope you love your shiny new things!

To provide you with the best possible after sales service, don't forget to visit **<https://argos.productaftercare.co.uk>** where you can **register** for your guarantee.

Once you've registered, you can upload your receipt to store safely online, alongside details of our after sales support service, ready at hand should you need it.

You can also take out Furniture Care which protects you against accidental damage, from the moment you take the plan out, to keep your new furniture looking newer for longer.

Register Today

<https://argos.productaftercare.co.uk>