

Care & Instruction Manual

For household and indoor use only.

Please read and retain these instructions for future reference

Safety Warning

- Read these instructions carefully and familiarize yourself with the procedure before assembling the unit.
- Take all the components and fittings out of the protection materials and separate them into their groups.
- Ensure you have enough space to lay out all the parts before assembly.
- Always be sure to use the correct type and wattage of bulbs as indicated on the fitting. Do not exceed the maximum stated wattage.
- To avoid scratching it is recommended that you assemble the unit on a soft level surface.
- When changing the bulb, always switch off at the mains and allow the old bulb to cool down before handling. Dispose of used bulbs carefully.
- This luminaire is Class II insulated.
- The luminaire is designed for INDOOR USE ONLY.
- The external flexible cable or cord of this luminaire cannot be replaced; if the cord is damaged, the luminaire shall be destroyed.

Assembling

1. Remove all protective materials from the package and place the lamp parts on a smooth surface.
2. Take the lamp holder① up from the bottom of the base, connecting the lamp holder with two metal bracket ②&③ together by screwing the lamp holder ring④ tightly.
3. Screw tightly the rod⑥ into the top metal bracket③ washer hole.
4. Insert the above completed assembling part into the bottom of the lamp base bracket as figure 1, screw tightly by nut⑦.
5. Put the LED ES/E27 bulb⑤ (10W max.) onto the lamp holder (bulb not included).

4. Lift the shade up and slide the middle top metal piece into the rob as drawing⑧.
5. Once the installation is complete, insert the plug into the socket.

Bulb Replacement

1. Switch off the mains power supply.
2. Before replacing the bulb, allow it to cool down for at least 10 minutes.
3. Never touch the bulb with your fingers directly, cover it with a cloth.
4. Loosen the bulb and remove it from the lamp.
5. Replace a new bulb with same voltage and wattage (Max. 10W LED ES/E27 bulb)

Maintenance

CAUTION! Always disconnect power supply when servicing or cleaning.

- This luminaire is designed for indoor use only.
- Use a clean dry soft cloth.
- Do not use abrasive cloths or polishes as this may cause damage to the product.

Recycling electrical products

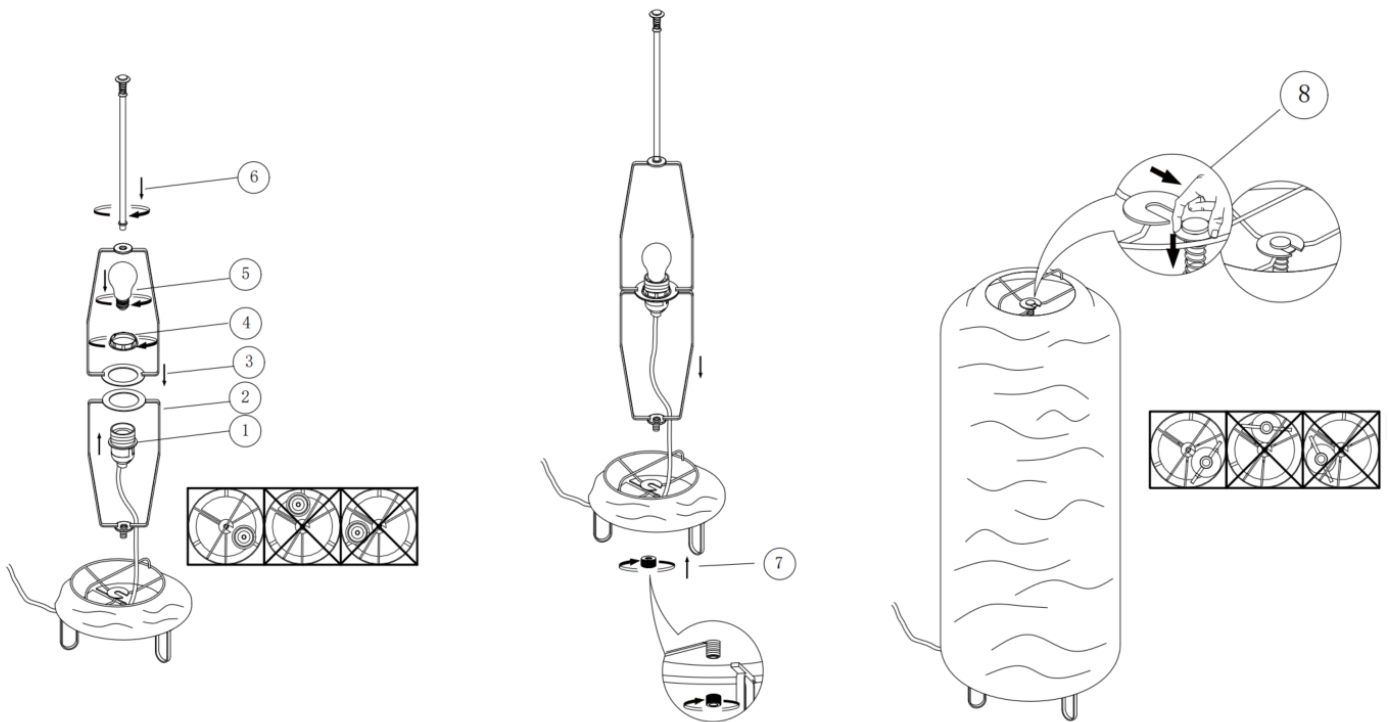


Figure 1

You should now recycle your waste electrical goods and in doing so help the environment. This symbol means an electrical product should not be disposed of with normal household waste. Please ensure it is taken to a suitable facility for disposal.

Visit www.recycle-more.co.uk, click on “bank locator” and enter your postcode to find your nearest recycling site.



We care about our quality and what you think,
 If you have any comments, good and bad,
 Please call our Careline Habitat: 0345 640 2020
 or visit Habitat.co.uk
 Your statutory rights are not affected.

Made in China for Habitat, Argos Limited, London,
 EC1N 2HT, UK. Argos (N.I.) Ltd, Forestside Shopping
 Centre, Upper Galwally, Belfast, BT8 6FX, UK.