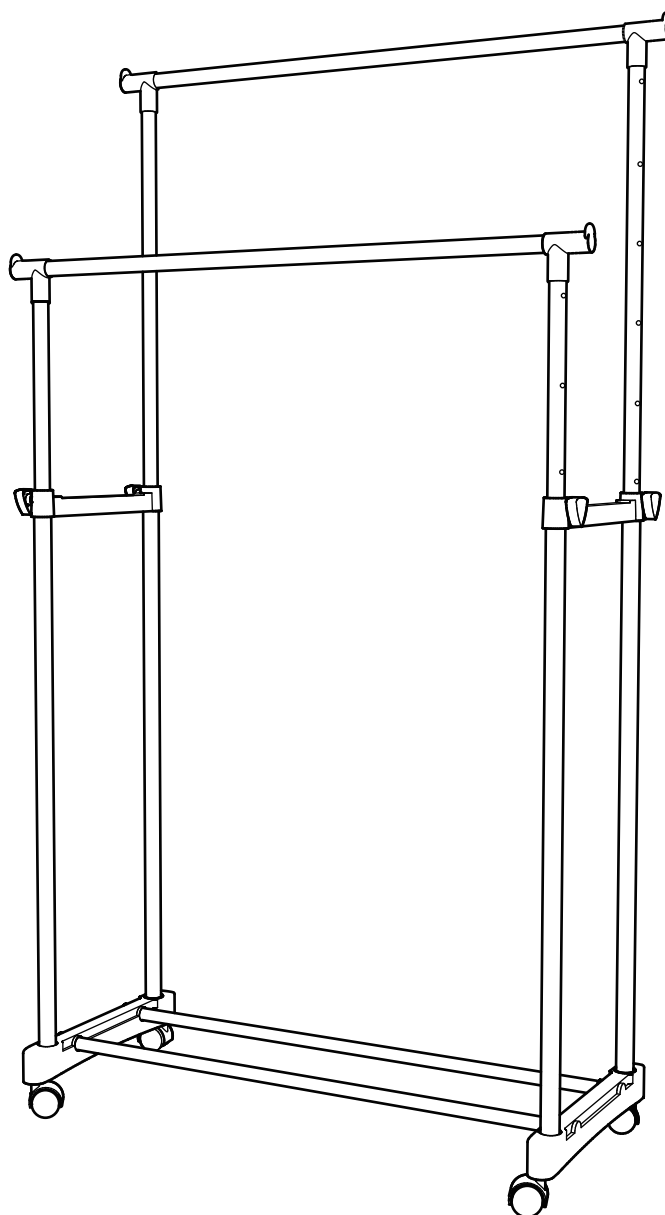


# Double Tidy Rail

Assembly Instructions - Please keep for future reference

875/1698



## Dimensions

Width - 89.5cm

Depth - 38.5cm

Height - 101/167.5cm

**Important** - Please read these instructions fully before starting assembly

If you need help or have damaged or missing parts, call the **Customer Helpline: 08456 400800**



# Safety and Care Advice

**Important - Please read these instructions fully before starting assembly**

- Check you have all the components and tools listed on page 2.
- Remove all fittings from the plastic bags and separate them into their groups.
- Keep children and animals away from the work area, small parts are a choking hazard.
- Make sure you have enough space to layout the parts before starting.

- Assemble on a pad to avoid damaging the unit or your floor.
- Parts of the assembly will be easier with 2 people.
- If using power tools, please follow the safety instructions supplied with the tools.
- Assemble the unit as close to its final position (in the same room) as possible.



• We do not recommend the use of power drill/drivers **for inserting screws**, as this could damage the unit. Only use hand screwdrivers.

- Dispose of all packaging carefully and responsibly.

## Care and maintenance

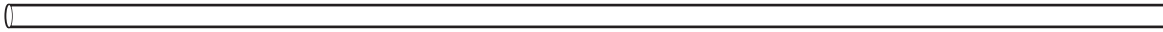
- Only clean using a damp cloth and mild detergent, do not use bleach or abrasive cleaners.
- From time to time check that there are no loose screws on this unit.
- This product should not be discarded with household waste. Take to your local authority waste disposal centre.

# Components - Panels

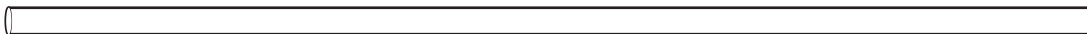
If you have damaged or missing components, call the **Customer Helpline: 08456 400800**

Please check you have all the panels listed below

- 1** Rail x 2 (89cm)



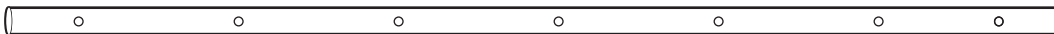
- 2** Bottom crossbar x 2 (83cm)



- 3** Lower side support x 4 (87cm)




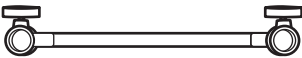

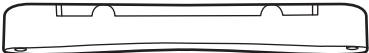
- 4** Upper side support x 4 (78cm) (Inserted inside component 3)



# Components - Fittings

Please check you have all the fittings listed below

**Note:** The quantities below are the correct amount to complete the assembly. In some cases more fittings may be supplied than are required.

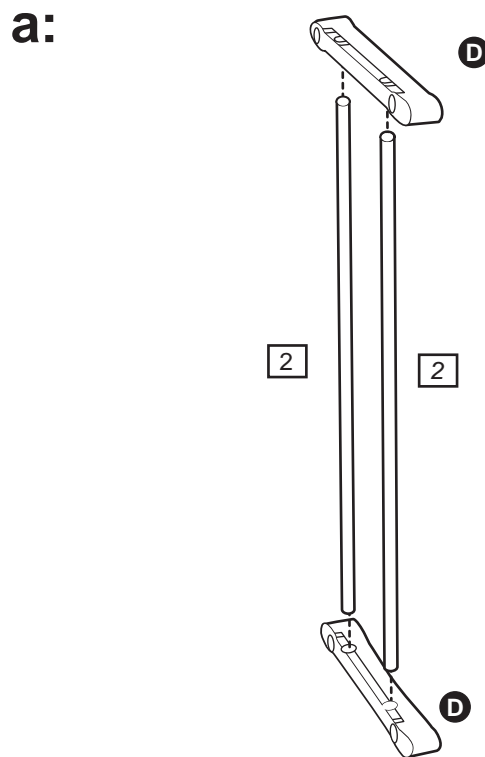
<p><b>A</b></p>  <p>Connrctor x 4</p>	<p><b>B</b></p>  <p>Lock x 2 (33cm)</p>	<p><b>C</b></p>  <p>Castor x 4</p>
<p><b>D</b></p>  <p>Leg section x 2 (39cm)</p>		

# Assembly Instructions

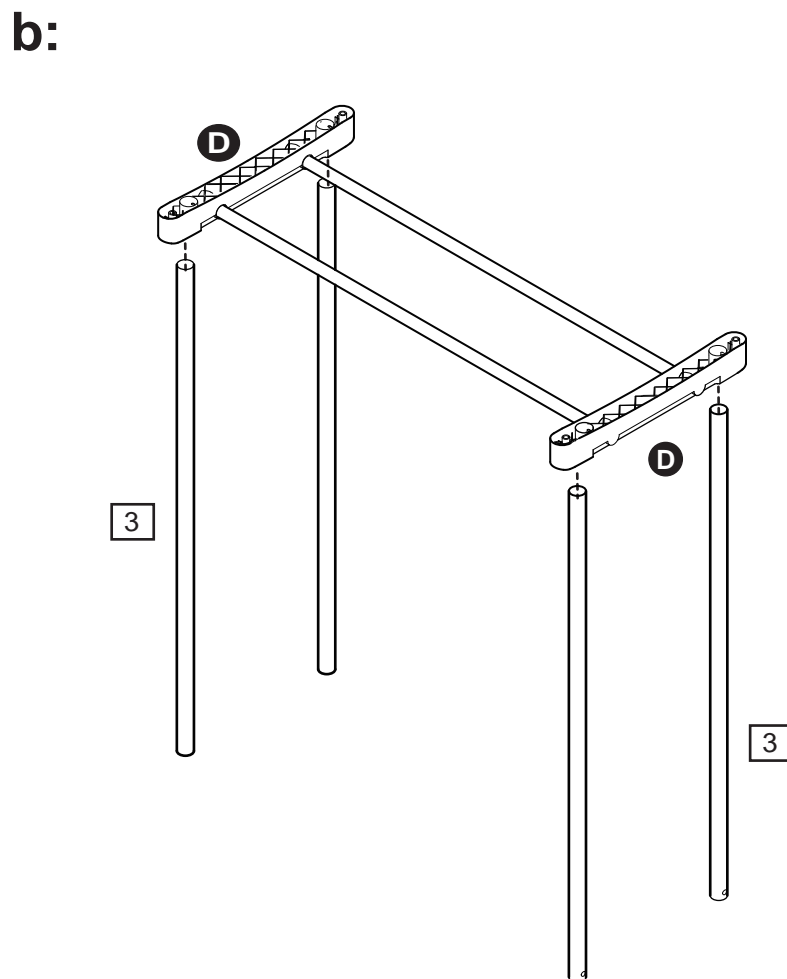
## Step 1

**Note:** It would be useful to ask someone to help you at this stage.

**a:** Insert Bottom crossbar **2** into Leg section **D**.



**b:** Insert Lower side support **3** into Leg section **D**.



# Assembly Instructions

## Step 2

### Finishing the Unit

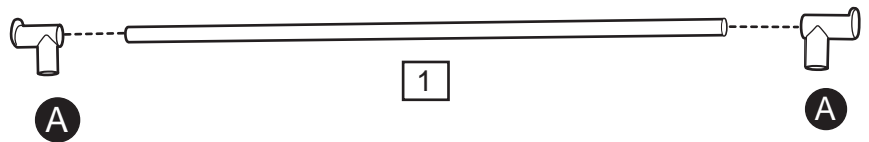
**a:** Insert Rail **1** into Connectors **A**.

**b:** Insert Upper side supports **4** into Connectors **A**.

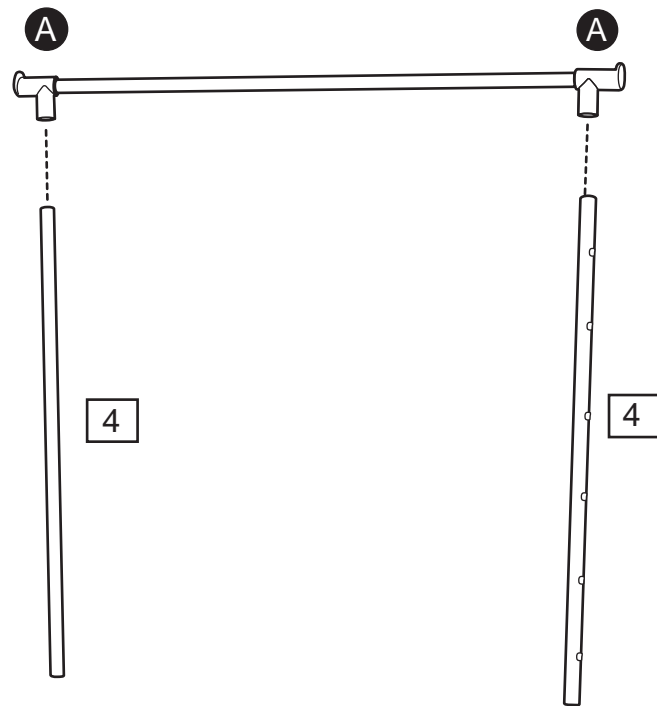
Repeat steps **a:** and **b:** to assemble the other Rail **1**.

**c:** Insert Castors **C** into Leg section **D**.

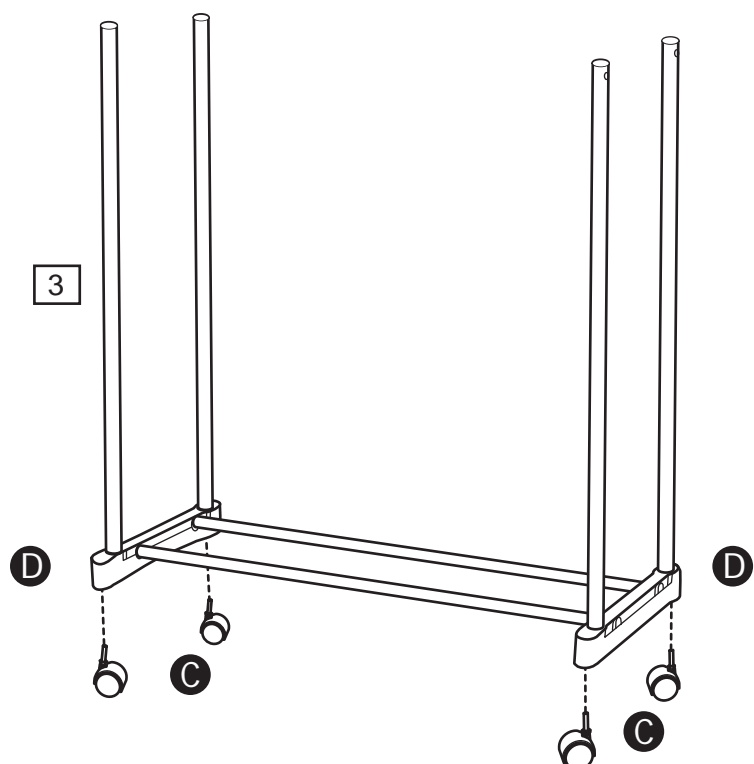
**a:**



**b:**



**c:**



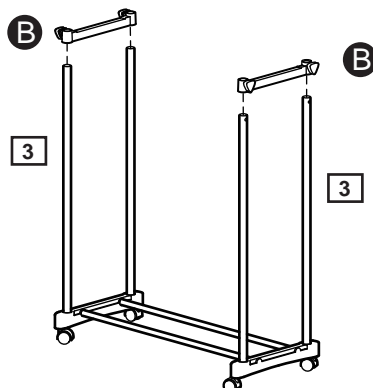
# Assembly Instructions

## Step 3

### Finishing the Unit

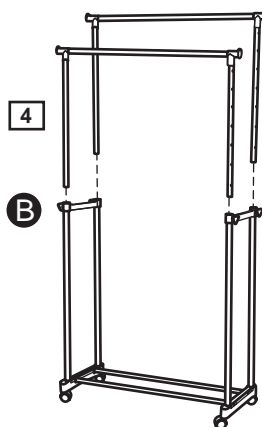
**a:** Insert Locks **B** onto the top of Lower side support **3**. Align the Screw on Lock **B** into the hole on Lower side support **3**.

**a:**



**b:** Inert Upper side supports **4** into the Locks **B**.

**b:**



**Note:** It would be useful to ask someone to help you at this stage.

### C: Set the height of the unit

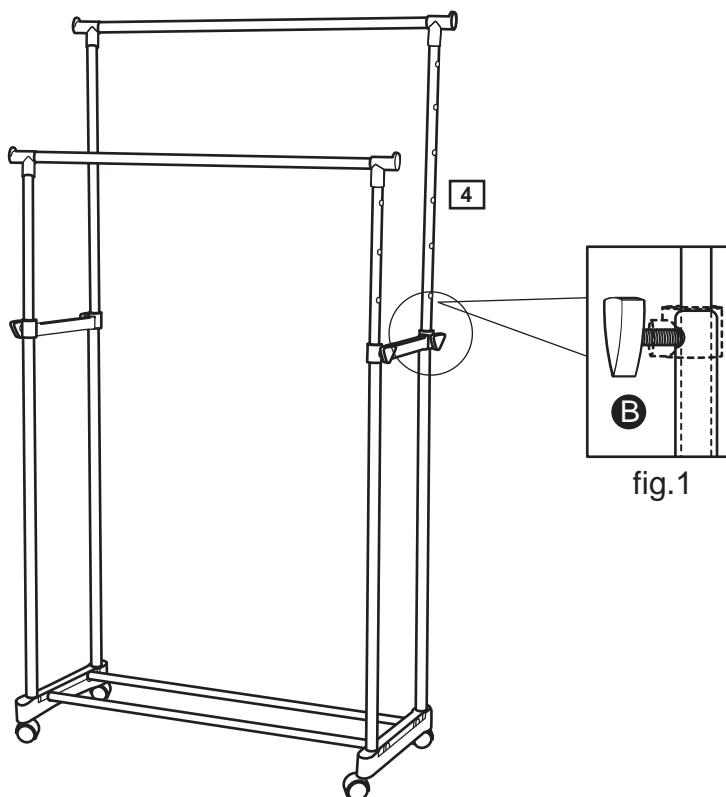
Using the Upper side support **4**. Ensuring the Locks **B** are loosened, slide the tubes to the desired height and tighten the Locks **B** to affix in positions shown fig.1.

Adjustment Range:  
101-167.5cm.

**Note:** Please hold Upper side support **4** and pull downward. It will be fixed if locked or will glide downward if unlocked.

**Assembly is complete.**

**c:**



If you need help or have damaged or missing parts, call the **Customer Helpline: 08456 400800**