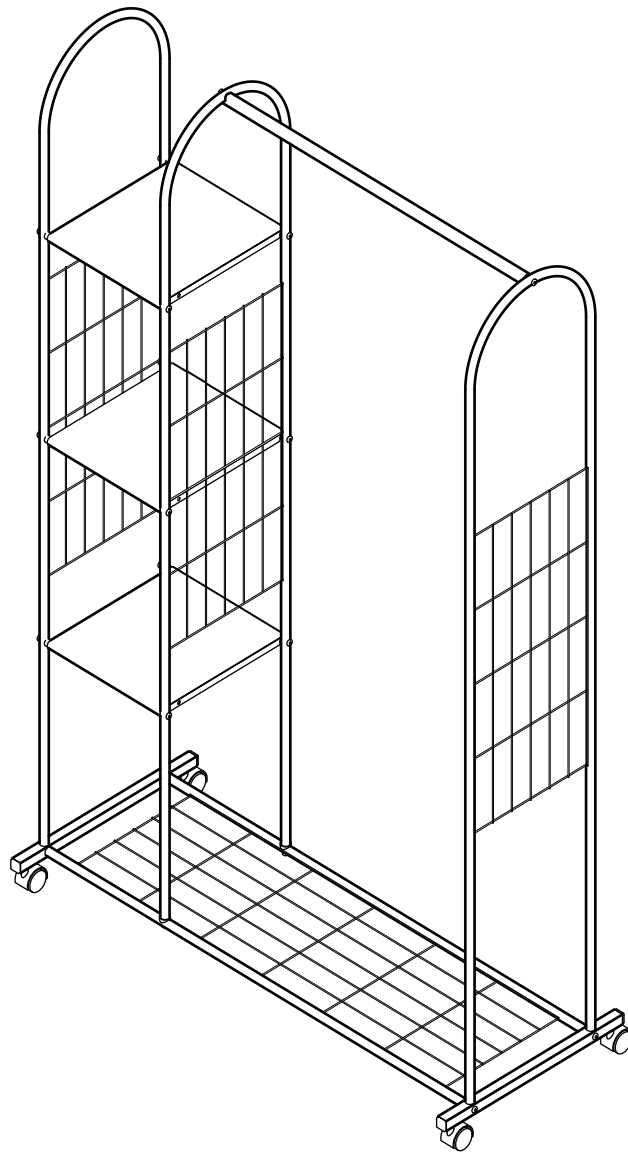


Multi-Purpose Tidy Rail

Assembly Instructions - Please keep for future reference

875/0352



Dimensions

Width - 106cm

Depth - 43.5cm

Height - 166cm

Important - Please read these instructions fully before starting assembly

If you need help or have damaged or missing parts, call the **Customer Helpline: 08456 400800**



Safety and Care Advice

Important - Please read these instructions fully before starting assembly

- Check you have all the components and tools listed on page 2.
- Remove all fittings from the plastic bags and separate them into their groups.
- Keep children and animals away from the work area, small parts could choke if swallowed.
- Make sure you have enough space to layout the parts before starting.

- Assemble on a soft level surface to avoid damaging the unit or your floor.
- Parts of the assembly will be easier with 2 people.
- If using power tools, please follow the safety instructions supplied with the tools.
- Assemble the unit as close to its final position (in the same room) as possible.



- We do not recommend the use of power drill/drivers **for inserting screws**, as this could damage the unit. Only use hand screwdrivers.
- Dispose of all packaging carefully and responsibly.

Care and maintenance

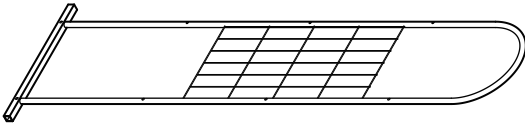
- Only clean using a damp cloth and mild detergent, do not use bleach or abrasive cleaners.
- From time to time check that there are no loose screws on this unit.
- This product should not be discarded with household waste. Take to your local authority waste disposal centre.

Components - Panels

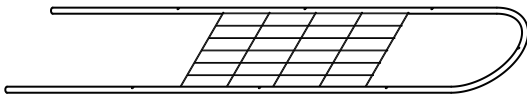
If you have damaged or missing components, call the **Customer Helpline: 08456 400800**

Please check you have all the panels listed below

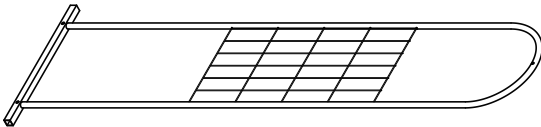
1 End section x 1



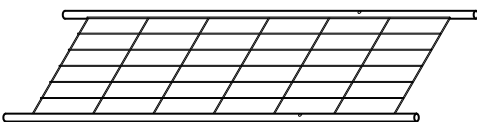
2 Upright section x 1



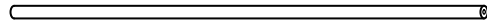
3 End section x 1



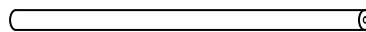
4 Base x 1



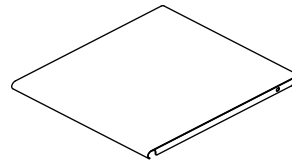
5 Crossbar x 1 (73cm)



6 Shelf support x 6 (28cm)






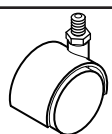

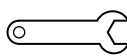
7 Shelf x 3



Components - Fittings

Please check you have all the fittings listed below

Note: The quantities below are the correct amount to complete the assembly. In some cases more fittings may be supplied than are required.

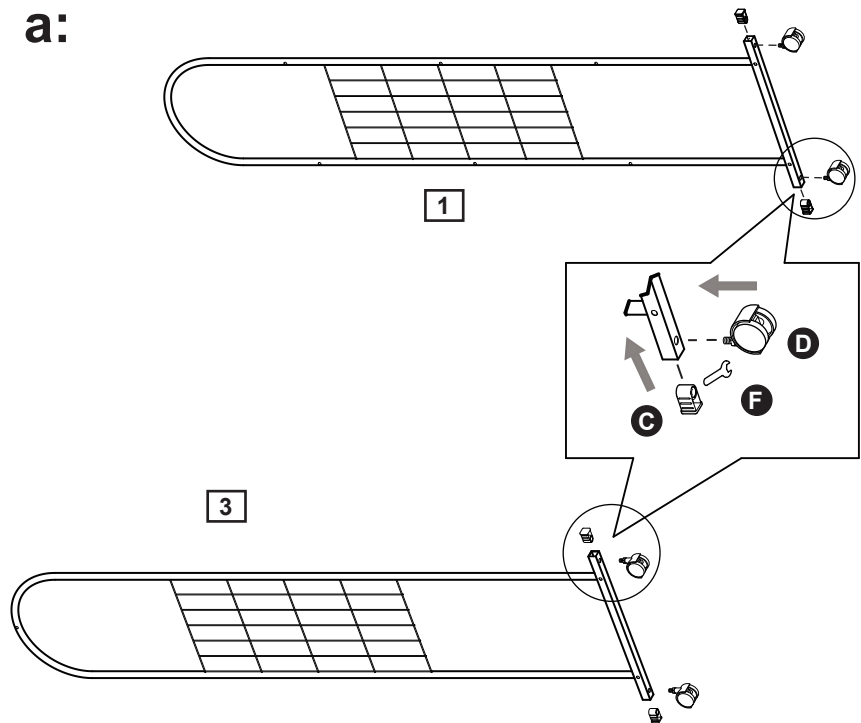
<p>A </p> <p>38mm Screw x 20</p>	<p>B </p> <p>Spacer x 2</p>	<p>C </p> <p>Threaded cap x 4</p>
<p>D </p> <p>Castor x 4</p>	<p>E </p> <p>Allen key x 1</p>	<p>F </p> <p>Spanner x 1</p>

Assembly Instructions

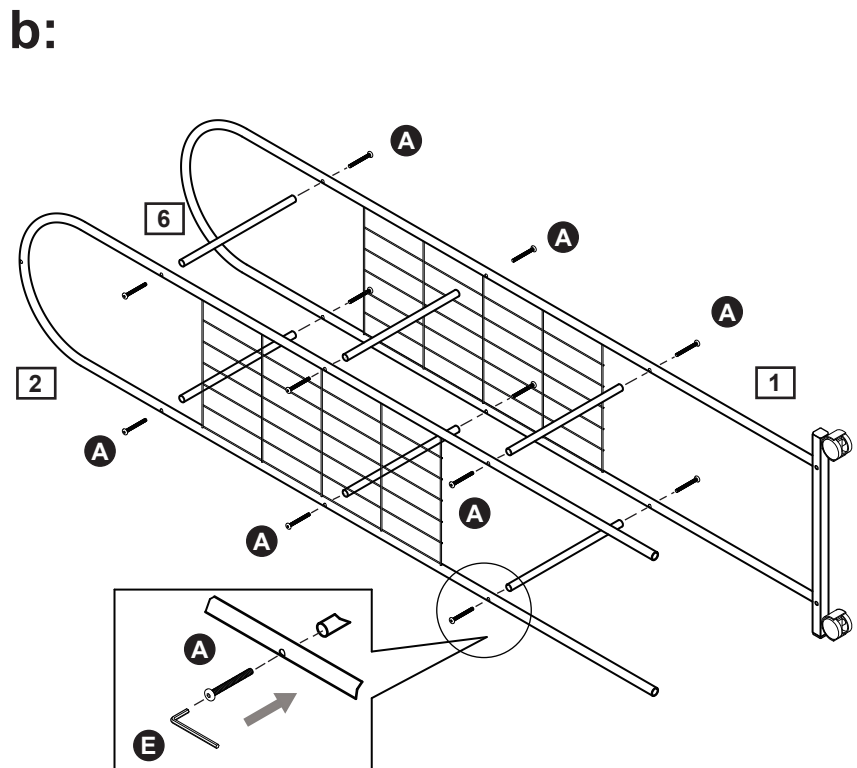
Step 1

Note: It would be useful to ask someone to help you at this stage.

a: Insert Threaded end cap **C** into End sections **1** & **3**. Ensure screw of End cap **C** correctly aligns with hole for castor **D** in End section **1** & **3**, then screw Castor **D** into position and tighten firmly with Spanner **F**.



b: Secure Shelf supports **6** to End section **1** using Screws **A** and tighten with Allen key **E**. And then fit Upright support **2** to Shelf supports **6** using Screws **A**.

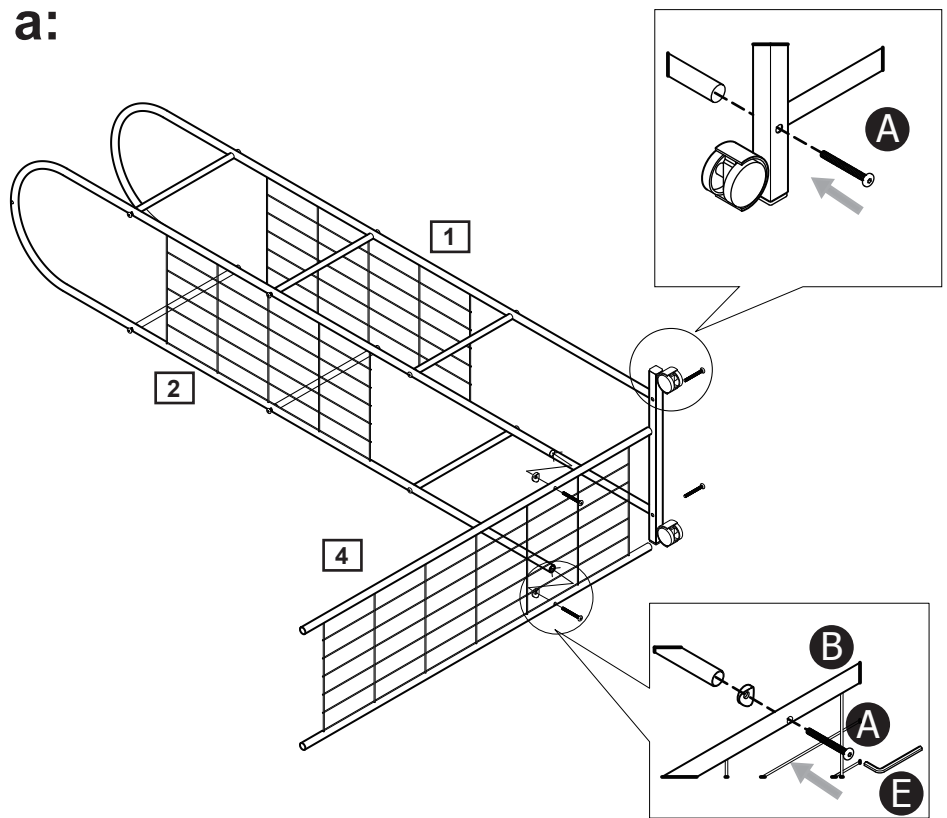


Assembly Instructions

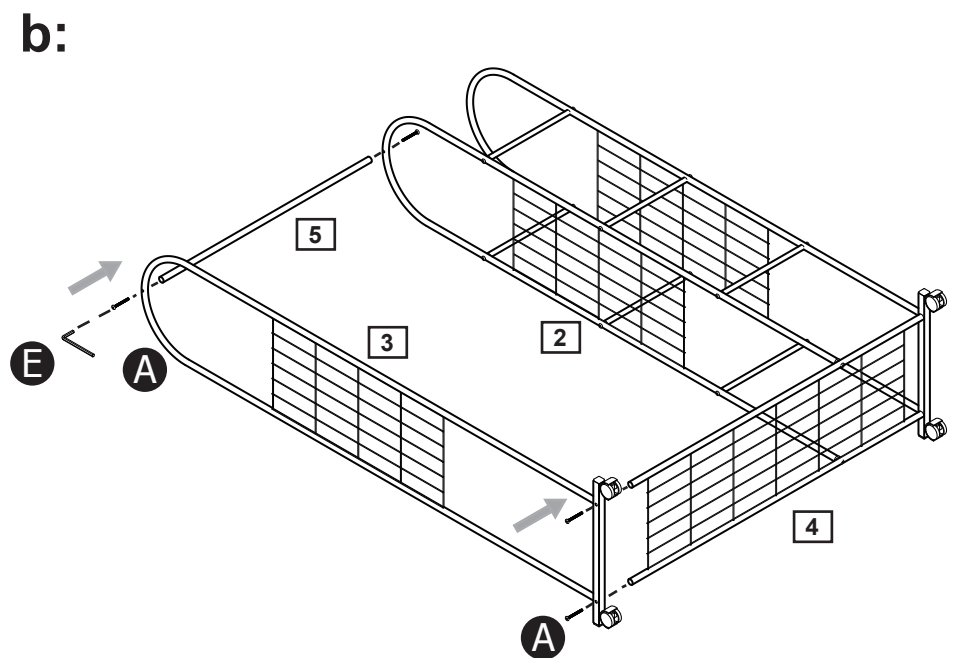
Step 2

Finishing the Unit

a: Attach Base **4** to End section **1** using Screws **A**, and then attach to Upright support **2** as shown at the figure.



b: Fix Crossbar **5** to Upright support **2** and End section **3** using Screws **A**. Then using Screws **A** attach End section **3** to Base **4** and Crossbar **5**.



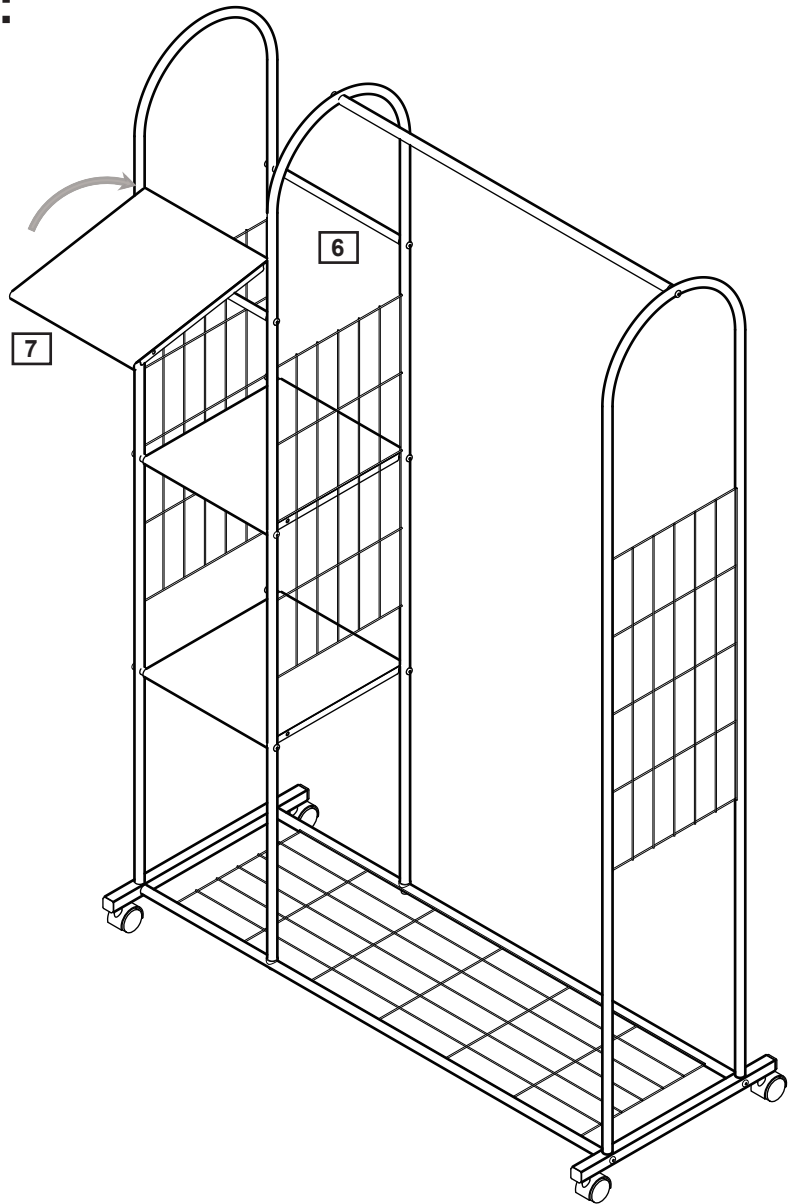
Assembly Instructions

Step 3

Finishing the Unit

a: Stand product up. Position Shelf **7** over two Shelf support **6** and push down gently until shelf **7** clips into place on both sides.

a:



Assembly is complete.

If you need help or have damaged or missing parts, call the **Customer Helpline: 08456 400800**