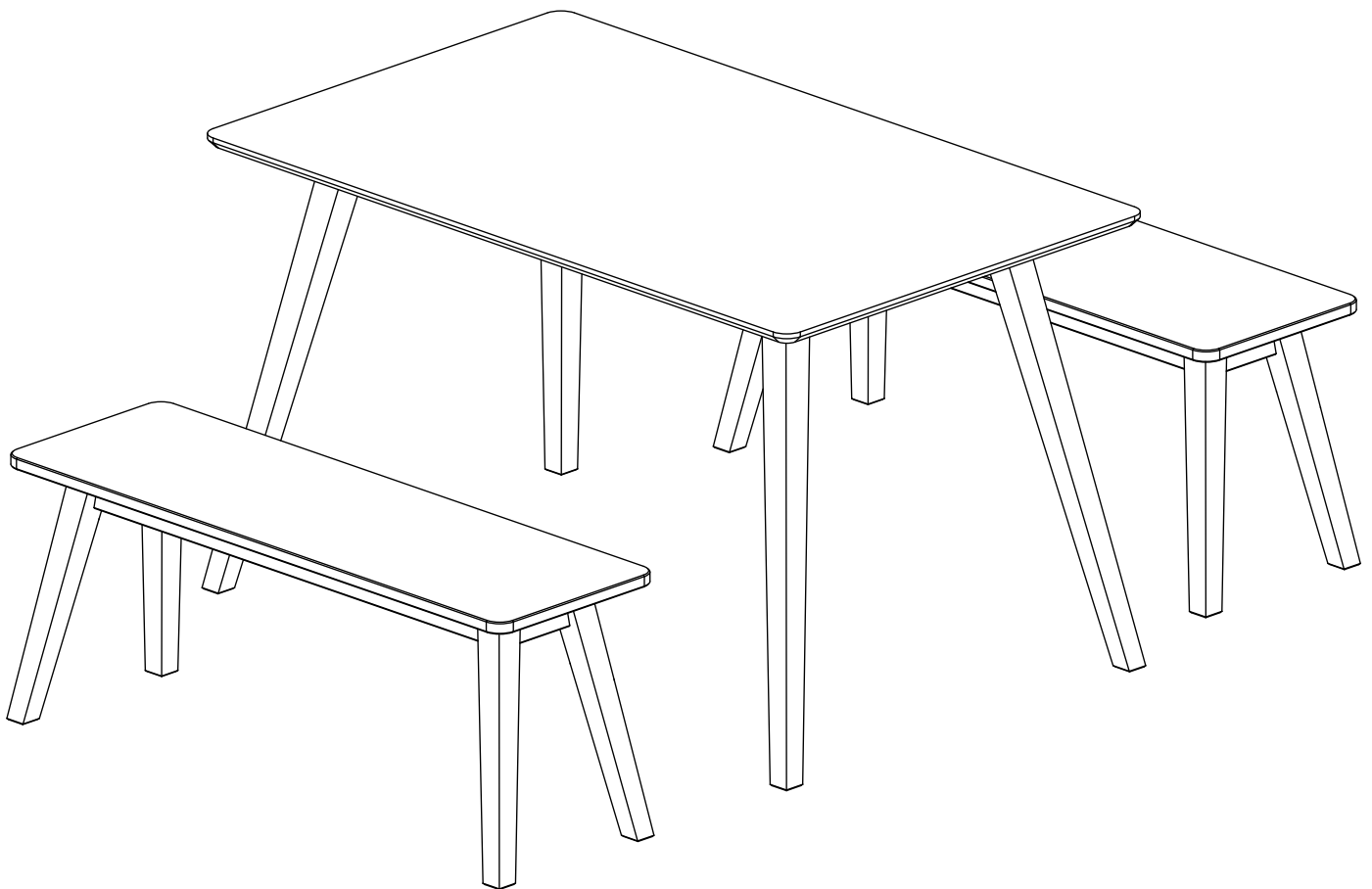



# Parry


 habitat




## Spare Parts

 [www.argos-support.co.uk](http://www.argos-support.co.uk)

 [Help@ClickSpares.co.uk](mailto:Help@ClickSpares.co.uk)

 0370 112 1928

## Customer Support

 0345 640 2020



# Safety and Care Advice

---

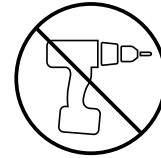
## Product Details

HAB PARRY PINE TABLE BENCH SET 472/6438

### IMPORTANT, RETAIN FOR FUTURE REFERENCE: READ CAREFULLY.

- Keep children and animals away from the work area, small parts could choke if swallowed.
- Make sure you have enough space to layout the parts before starting.
- This product has been constructed to be used in the domestic environment only and not for commercial purposes.

- Assemble the item as close to its final position (in the same room) as possible.
- Assemble on a soft level surface to avoid damaging the unit or your floor.



- We do not recommend the use of power drill/drivers for inserting screws as this could damage the unit. Only use hand screwdrivers.
- Parts of the assembly will be easier with 2 people.
- Dispose of all packaging carefully and responsibly.

## Care and maintenance

---

- Use a dry cloth to clean the product, furniture polish is not recommended.
- From time to time check that there are no loose screws, nuts or bolts. If there are please re-tighten.
- This product should not be discarded with household waste. Take to your local authority waste disposal centre.

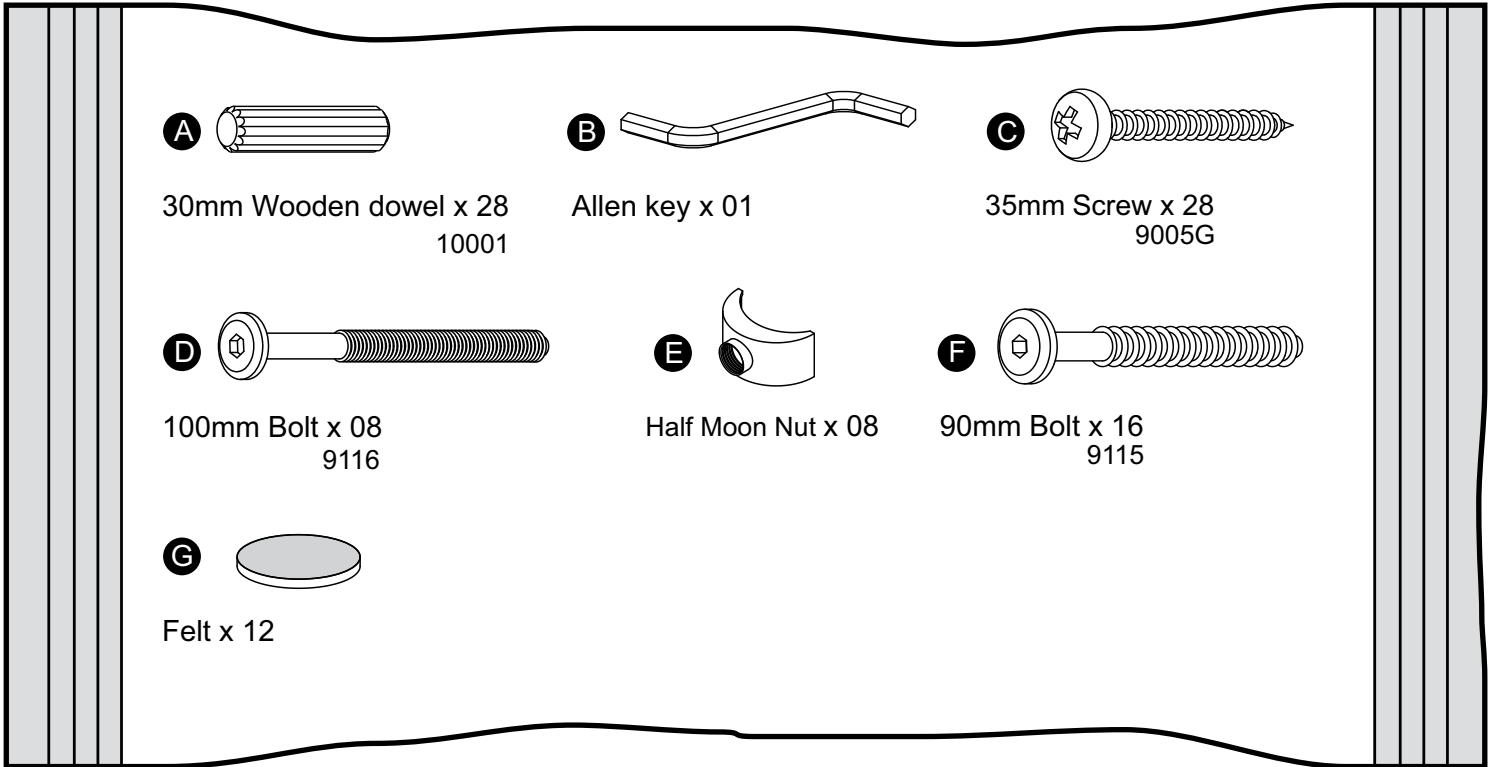
## Additional Guidance

---

- Assemble all parts and bolts loosely during assembly, only once the product is complete should you fully tighten the bolts.
- Regularly check and ensure that all bolts and fittings are tightend properly.
- This product is compliant EN12520 EN1022 and EN12521

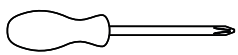
# Fittings

---

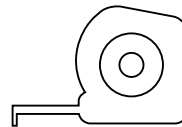


# Tools required

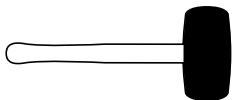
---



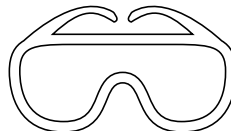
Phillips screwdriver  
(small & medium)



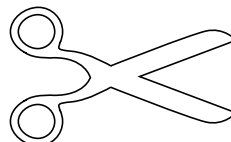
Ruler/tape  
measure



Mallet



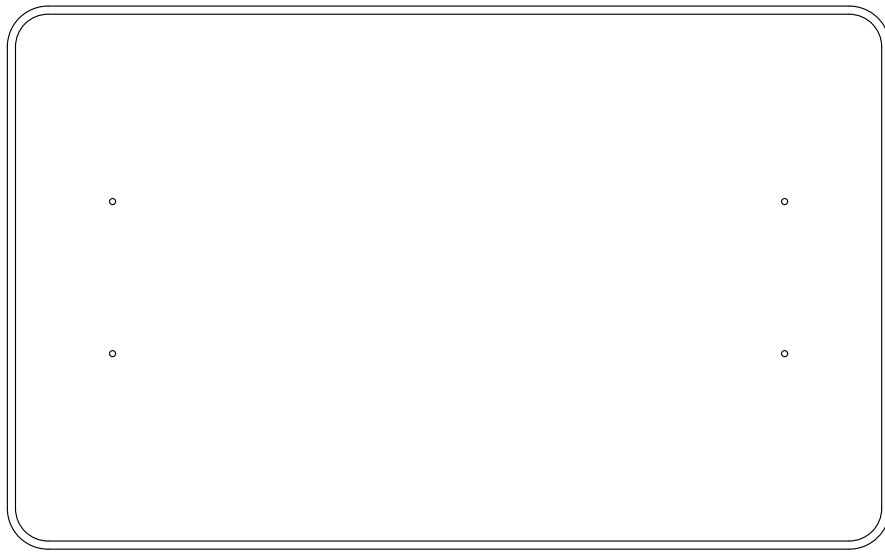
Eye protection  
(when using a  
hammer or glue)



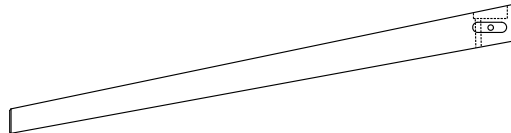
Scissors

# Panels

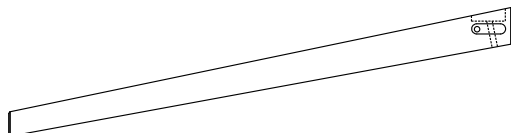
---



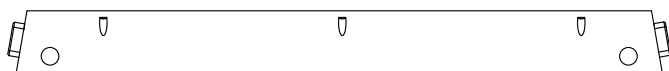
1 Top panel  
(1300 x 800 mm)



2 Table Right Leg (x2)  
(740 x 54 mm)



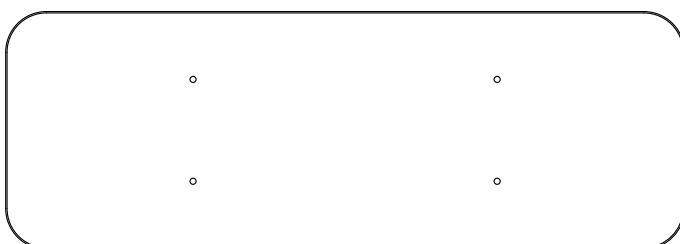
3 Table Left Leg (x2)  
(740 x 54 mm)



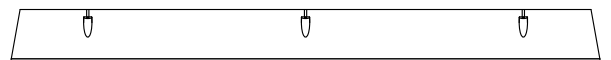
4 Table Long Rail (x2)  
(952 x 92 mm)



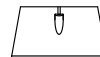
5 Table Short Rail (x2)  
(455 x 92 mm)



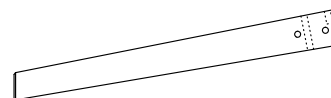
7 Seat (x2)  
(1000 x 350 mm)



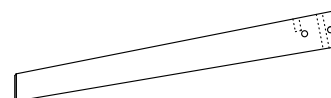
8 Bench Long Rail (x4)  
(779 x 67 mm)



9 Bench Short Rail (x4)  
(126 x 67 mm)

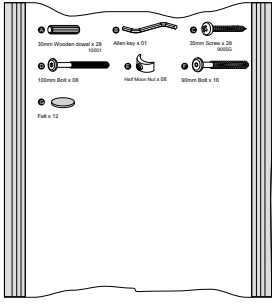


10 Bench Right Leg (x4)  
(424 x 48 mm)

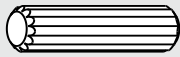


11 Bench Left Leg (x4)  
(424 x 48 mm)

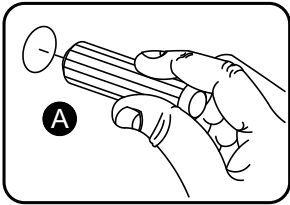
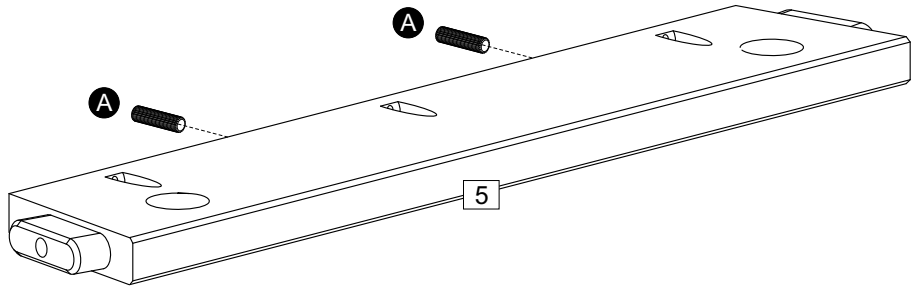
# 1



**A**



30mm Wooden dowel x 04



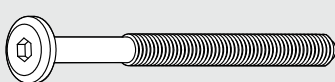
# 2

**B**



Allen key x 01

**D**

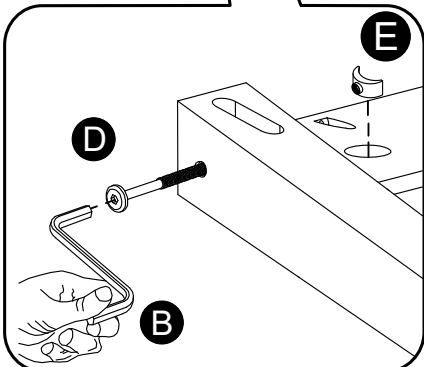
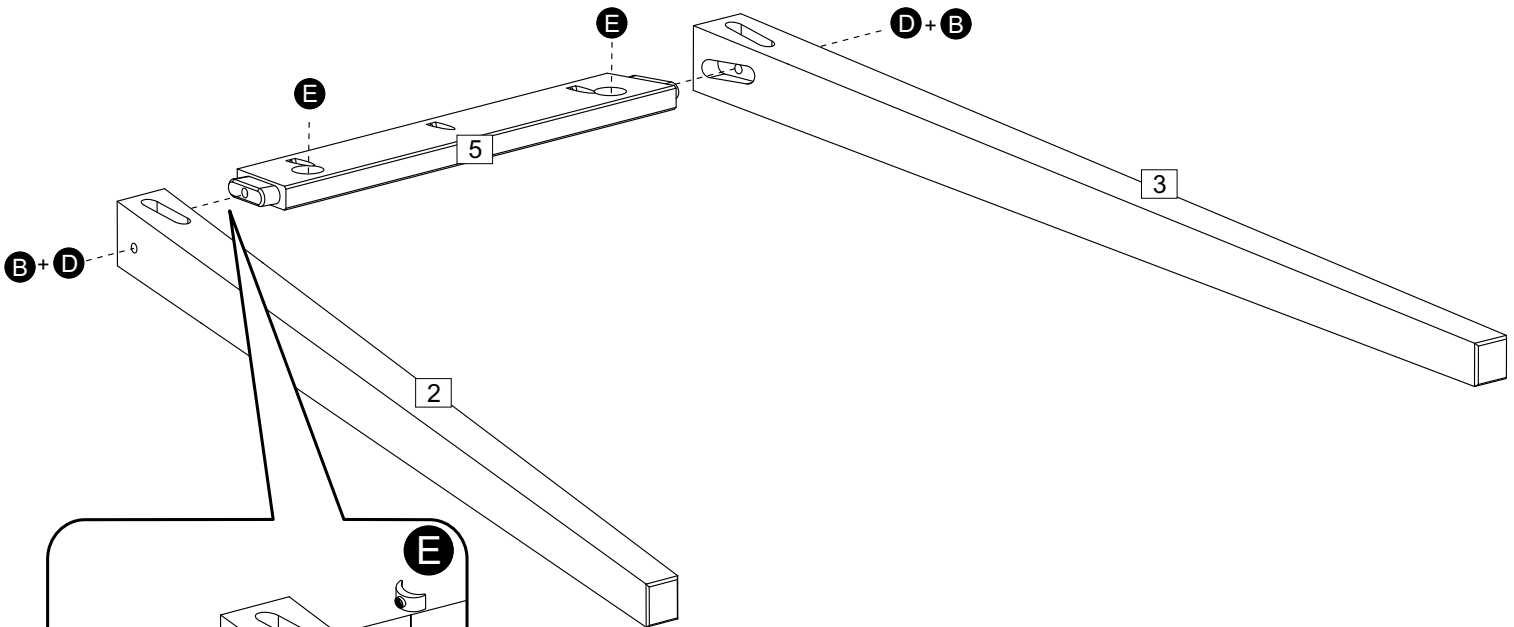


100mm Screw x 04

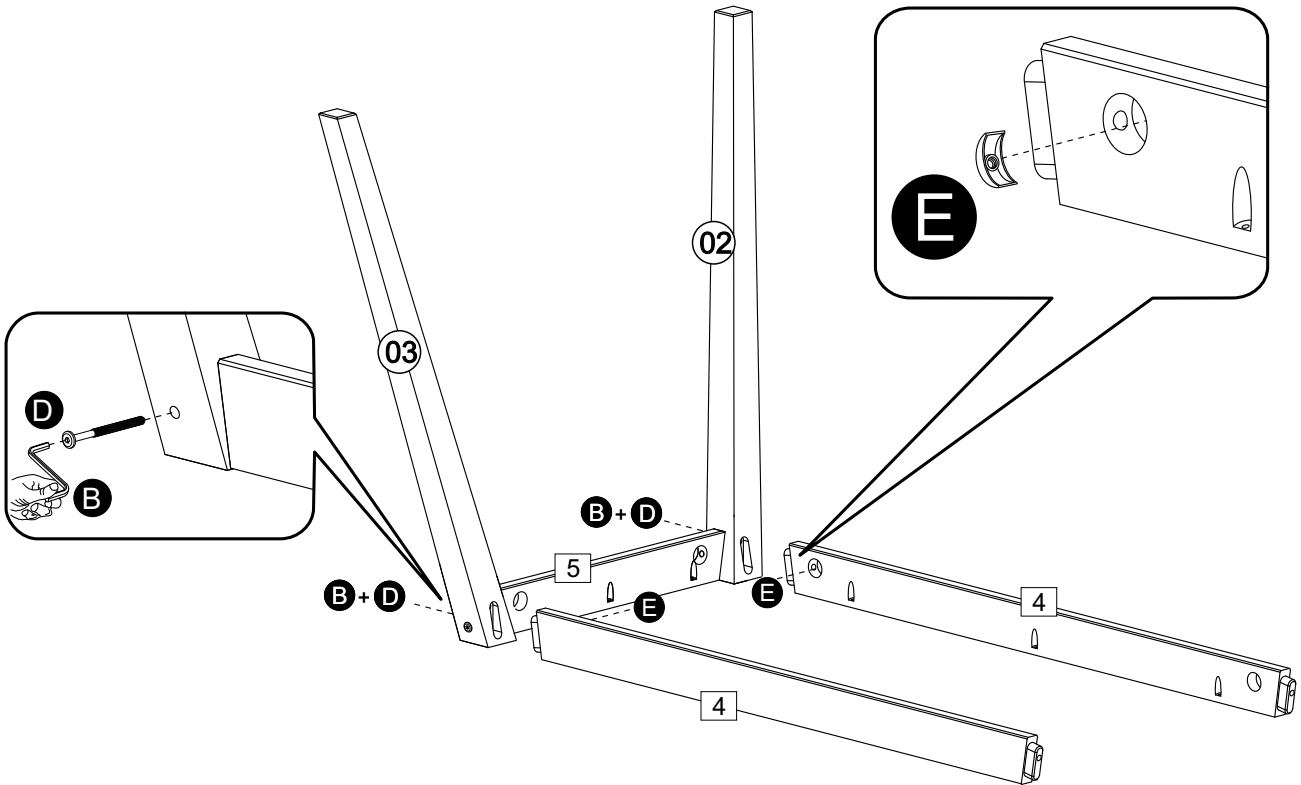
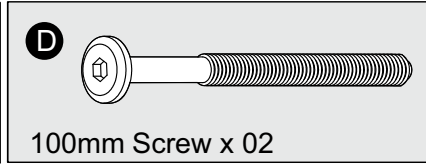
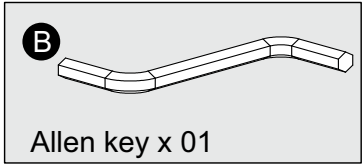
**E**



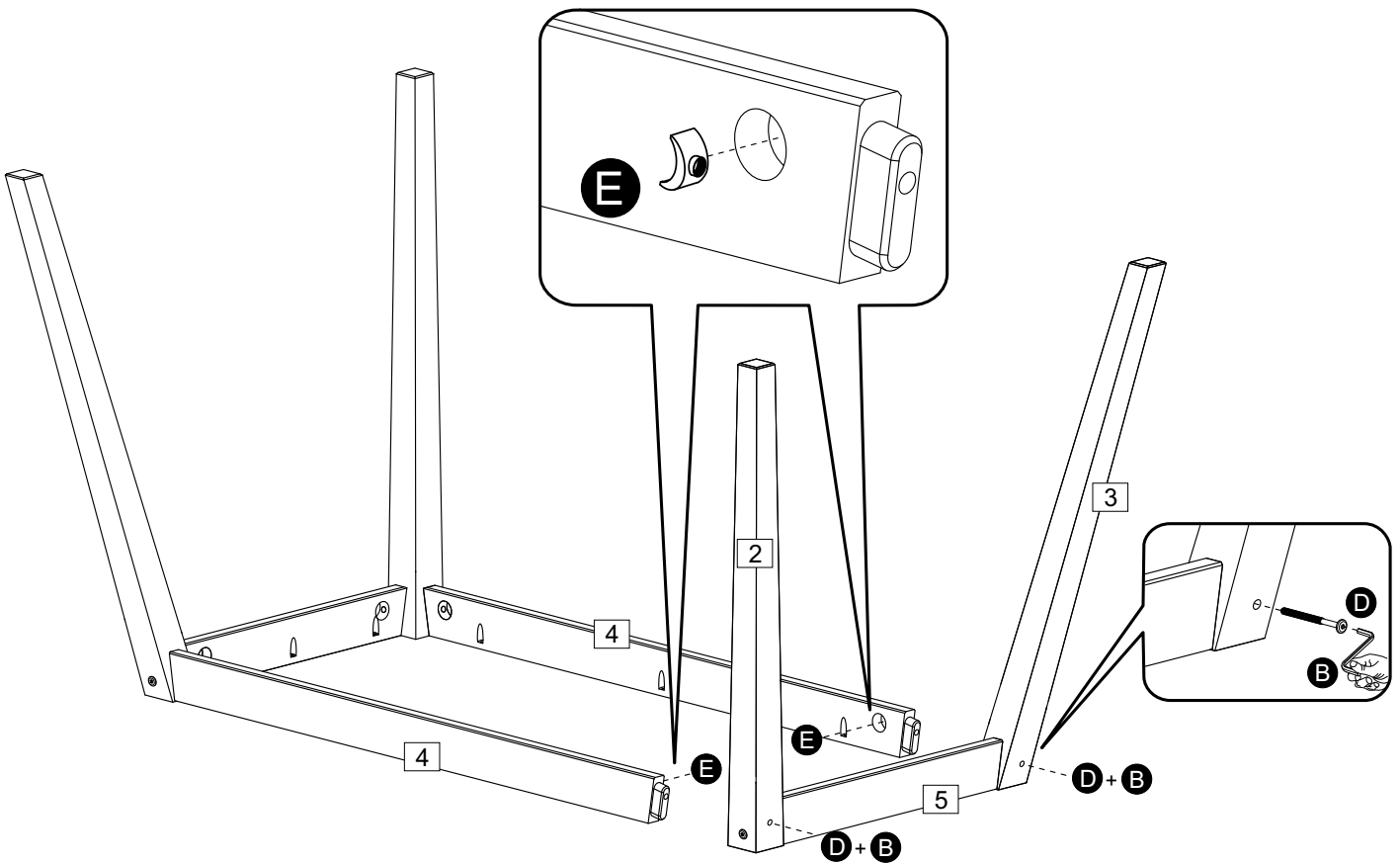
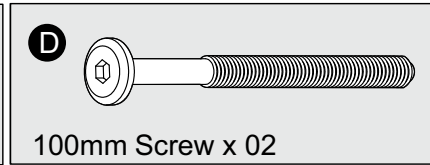
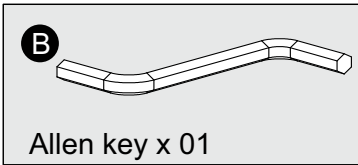
Half Moon Nut x 04



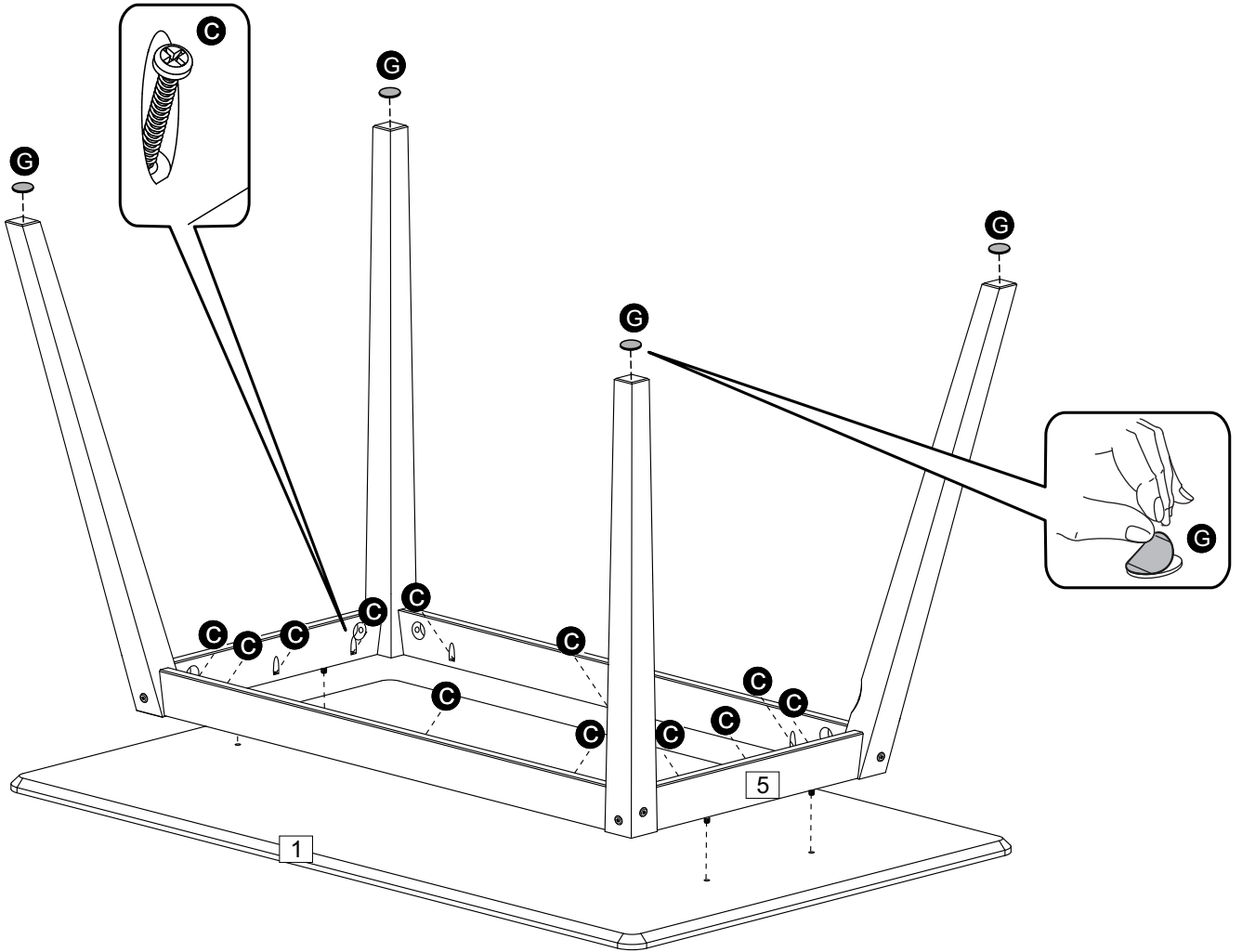
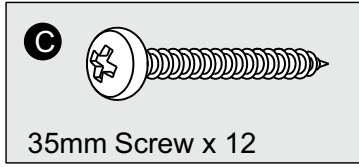
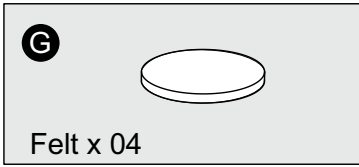
# 3



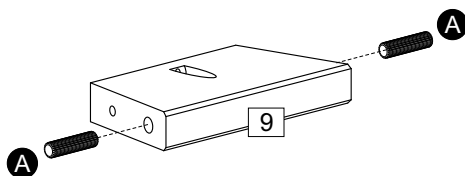
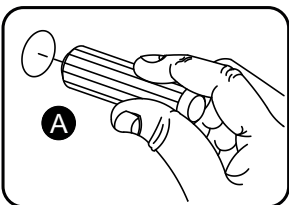
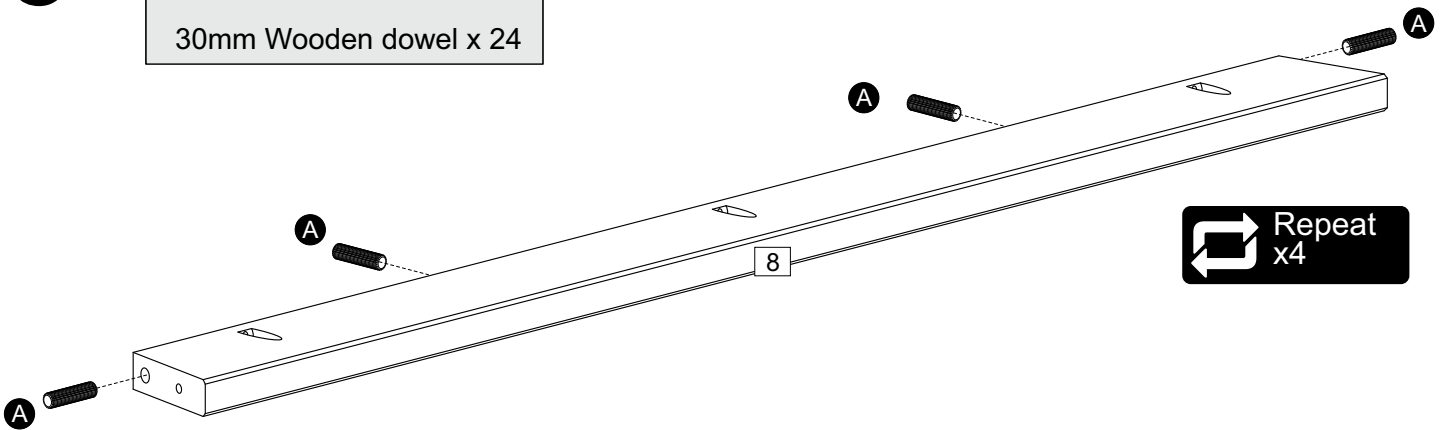
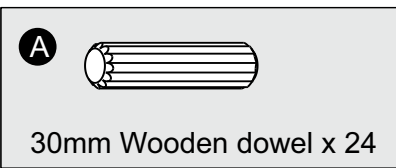
# 4



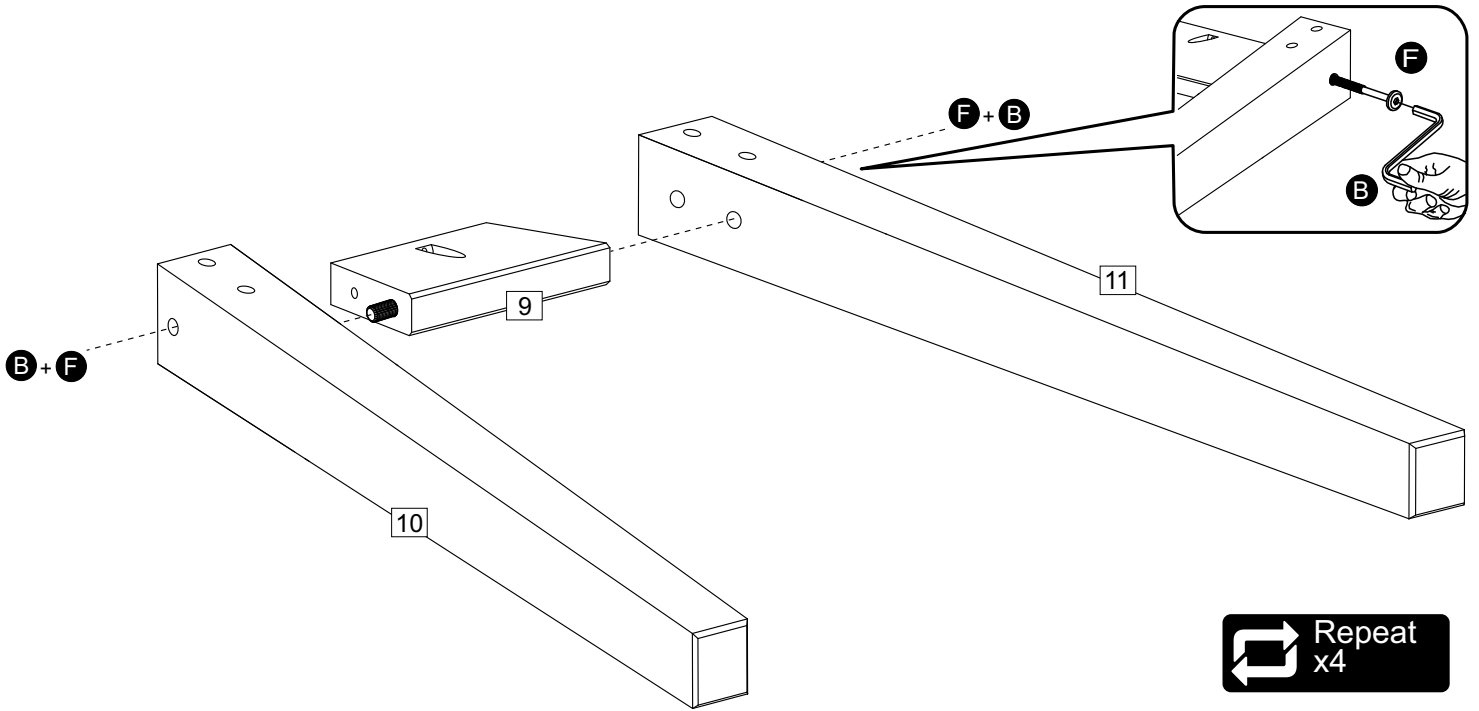
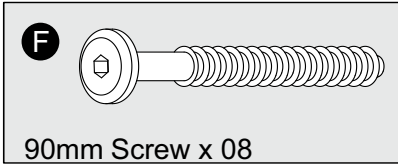
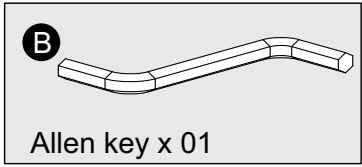
# 5



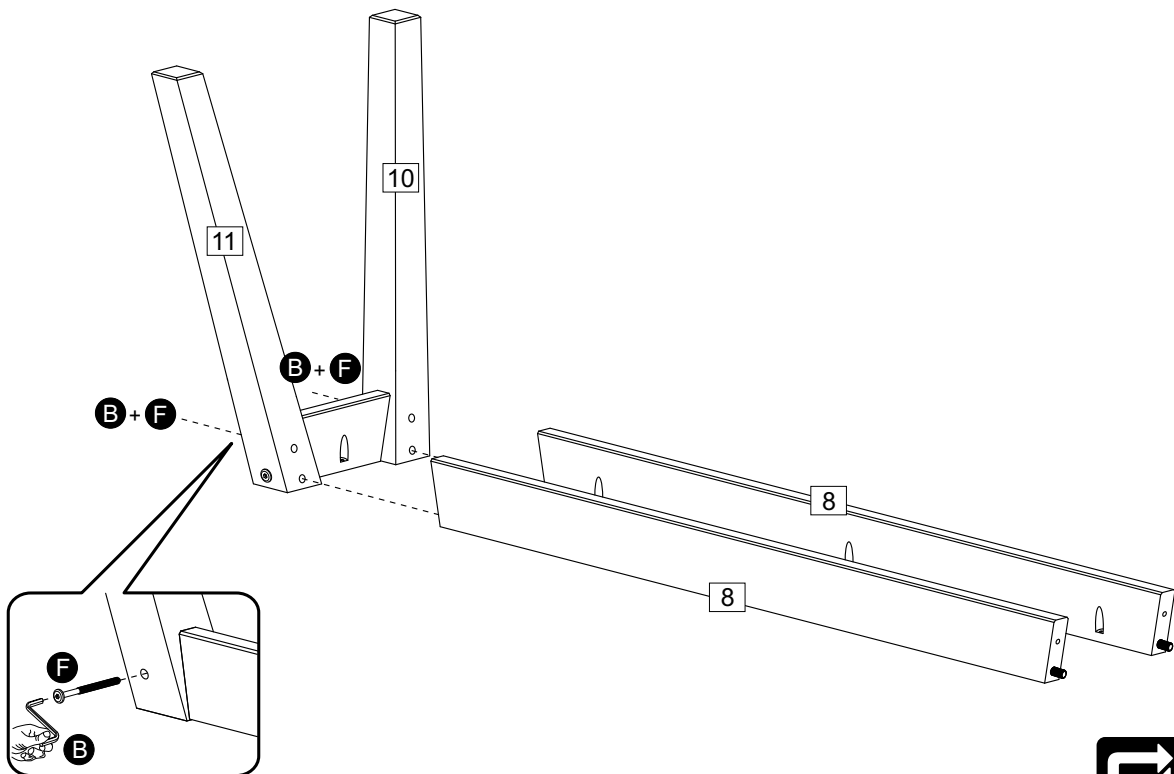
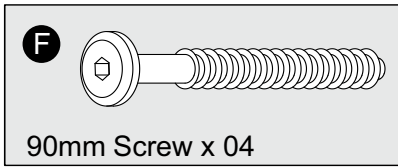
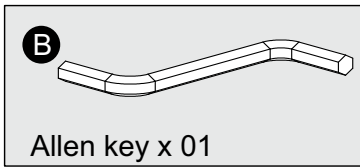
# 6



# 7

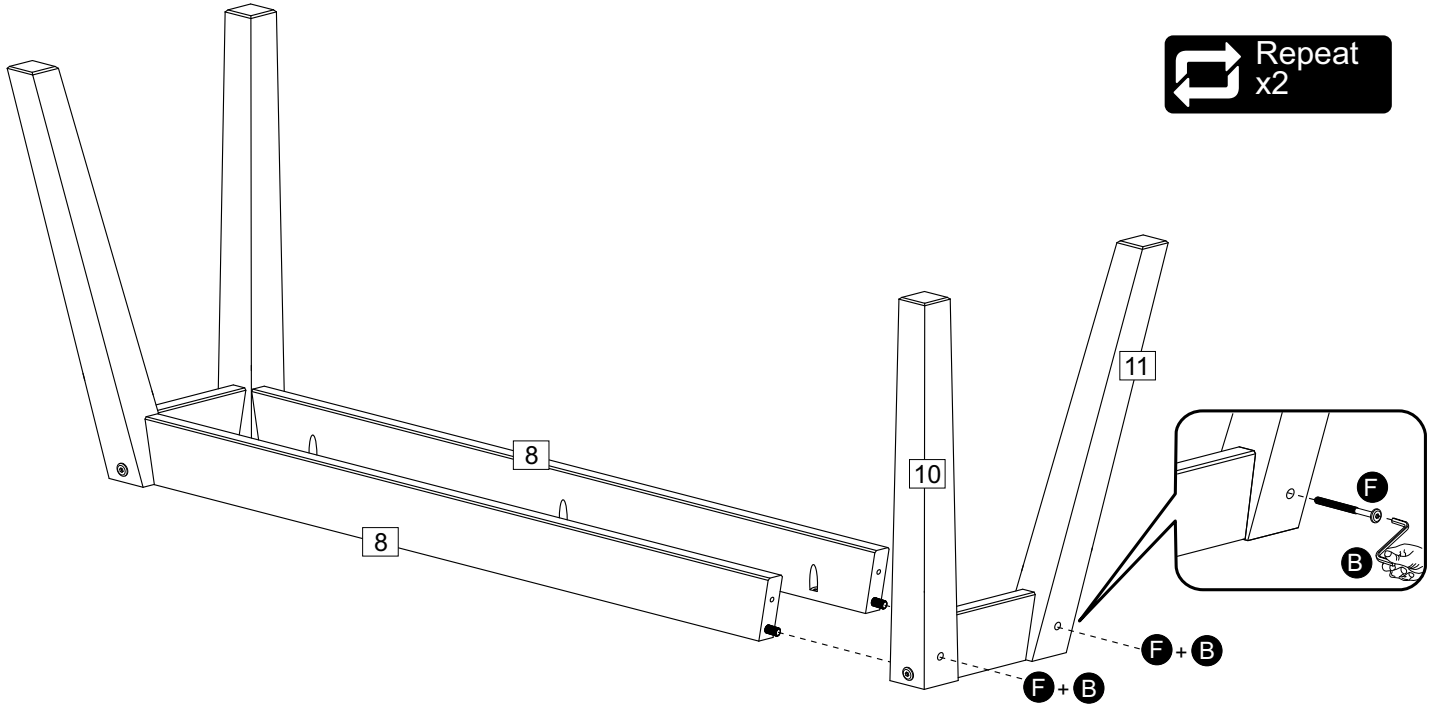
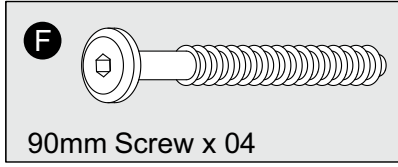
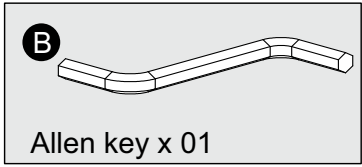


# 8





# 9



# 10

