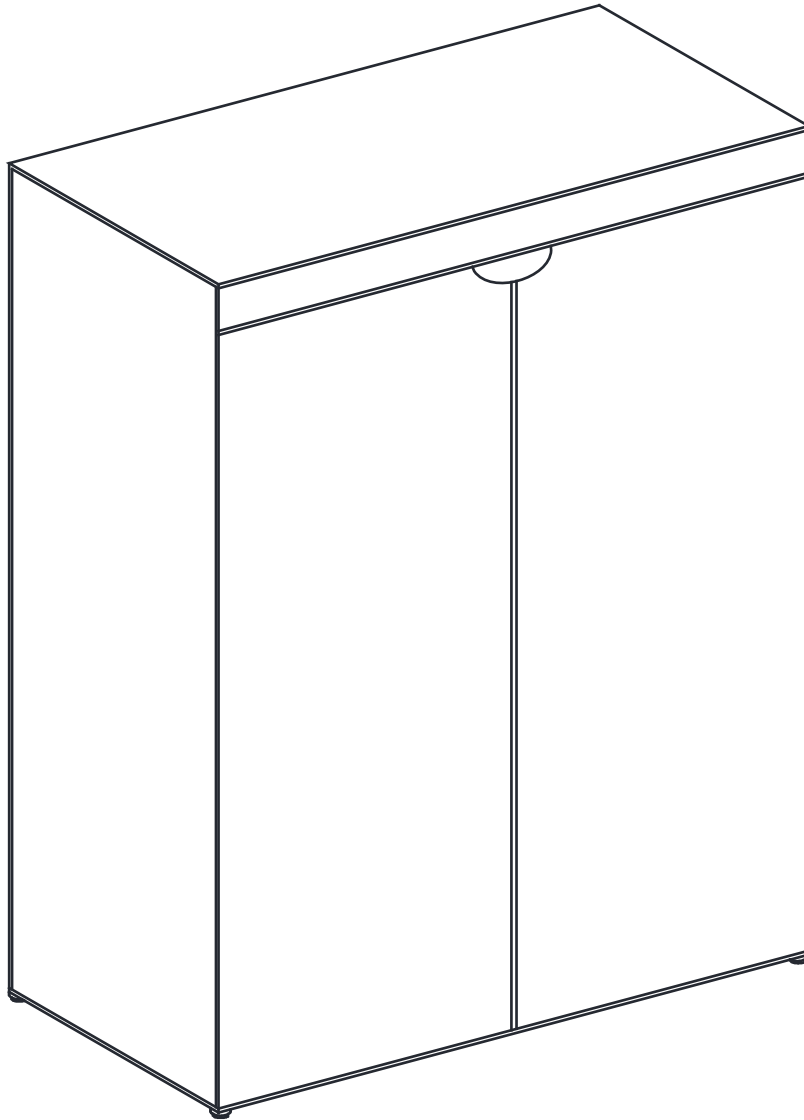


Double Heavy Duty Covered Rail-White/Black

Assembly Instructions - Please keep for future reference

460/9830

487/5846



Dimensions

Width - 117cm
Depth - 50cm
Height - 160cm

Important - Please read these instructions fully before starting assembly

If you need help or have damaged or missing parts, call the **Customer helpline**: 0345 6400800



Safety and Care Advice

Important - Please read these instructions fully before starting assembly

- Check you have all the components and tools listed on page 2.
- Remove all fittings from the plastic bags and separate them into their groups.
- Keep children and animals away from the work area, small parts could choke if swallowed.
- Make sure you have enough space to layout the parts before starting
- Do not stand or put over weight on the parts this could cause damage.

- Assemble the unit as close to its final position (in the same room) as possible.
- Assemble on a soft level surface to avoid damaging the unit or your floor.
- Parts of the assembly will be easier with 2 people.
- If using power tools, please follow the safety instructions supplied with the tools.



- We do not recommend the use of power drill/drivers for inserting screws, as this could damage the unit.

Only use hand screwdrivers.

- **Warning:** Before drilling, check the wall for hidden pipes and cables.
- Dispose of all packaging carefully and responsibly.
- **Warning:** Max loading weight
Top shelf: 30kg
Hanging rail: 40kg
Bottom 2 shelf: 40kg/ shelf

Care and maintenance

- Only clean using a damp cloth and mild detergent, do not use bleach or abrasive cleaners.
- From time to time check that there are no loose screws on this unit.
- This product should not be discarded with household waste. take to your local authority waste disposal centre.

Components - Parts

If you need help or have damaged or missing parts, call the **Customer helpline**: 0345 6400800

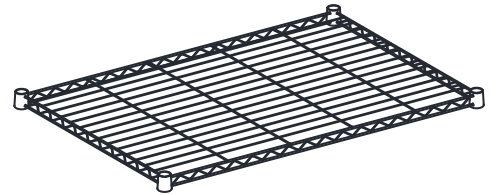
Please check you have all the parts listed below



1 Thin rods x 2pcs(80cm)



2 Thin rods with screw thread x 2pcs(80cm)



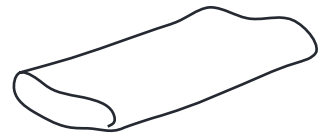
3 Shelf x 3pcs(117x50cm)



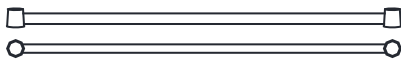
4 Thin rods x 2pcs(85cm)



5 Thin rods with screw thread x 2pcs(80cm)



8 Cover x 1pcs



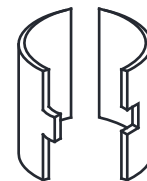
6 Support bar x 1pcs(117cm)



7 Hanging rail x 1pcs(117cm)



10 screw thread x 2pcs

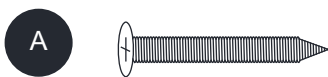


9 Plastic holder x 28pcs

Components - Fittings

Please check you have all the parts listed below

Note: The quantities below are correct amount to complete the assembly. In some cases more fittings may be supplied than required



Screw x 2



Wall plug (for solid walls only)x2

Tools required



Tape Measure

Assembly Instructions

Step 1

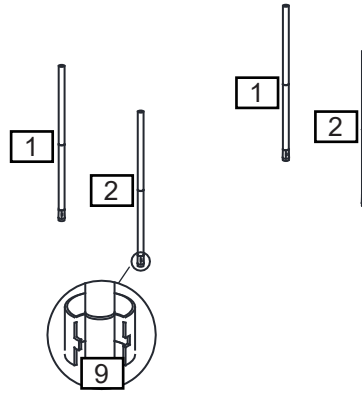
Note: It would be useful to ask someone to help you at this stage.

a: Attach connector **9** to thin rods **1** and **2**

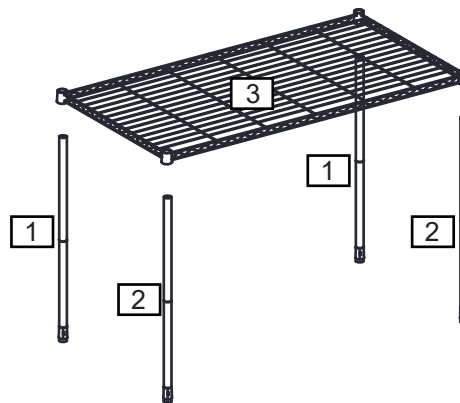
b: Attach thin rods **1** and **2** to shelf **3**

c: Attach shelf **3** to thin rods **1** and **2**.

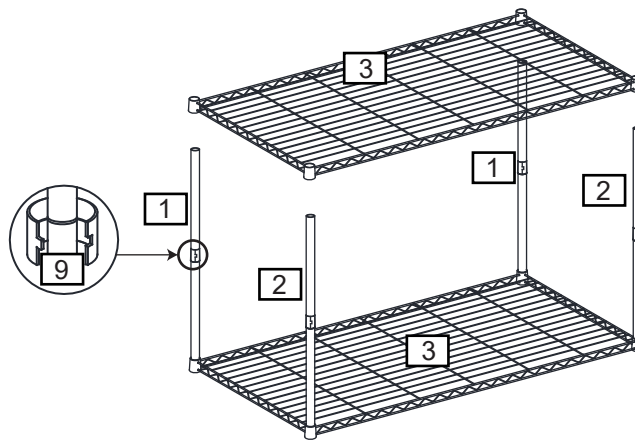
d: Attach thin rods **4** and **5** as shown.



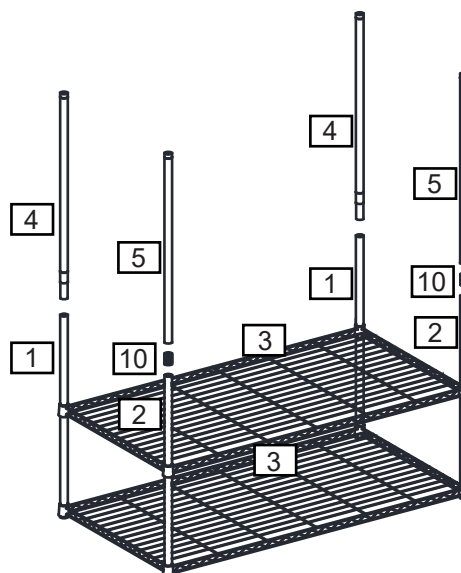
a:



b:



c:

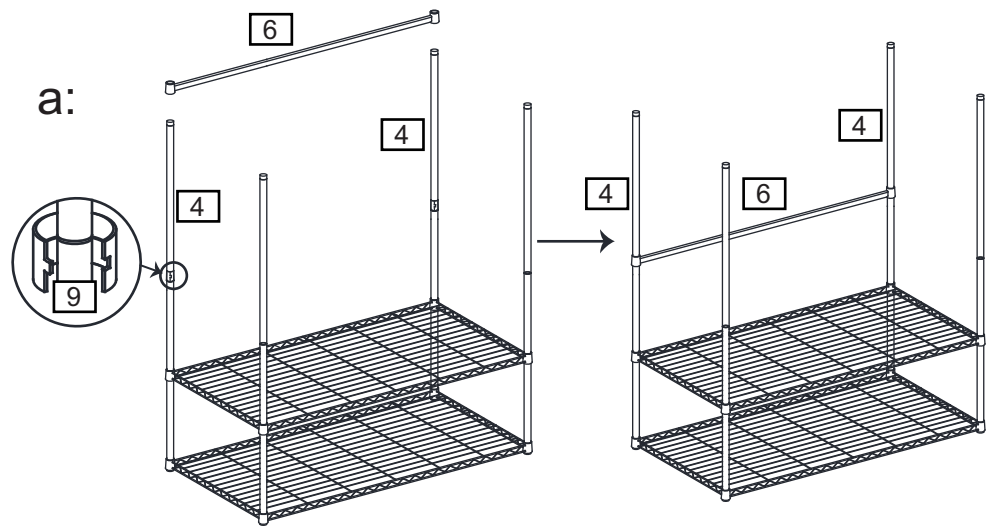


d:

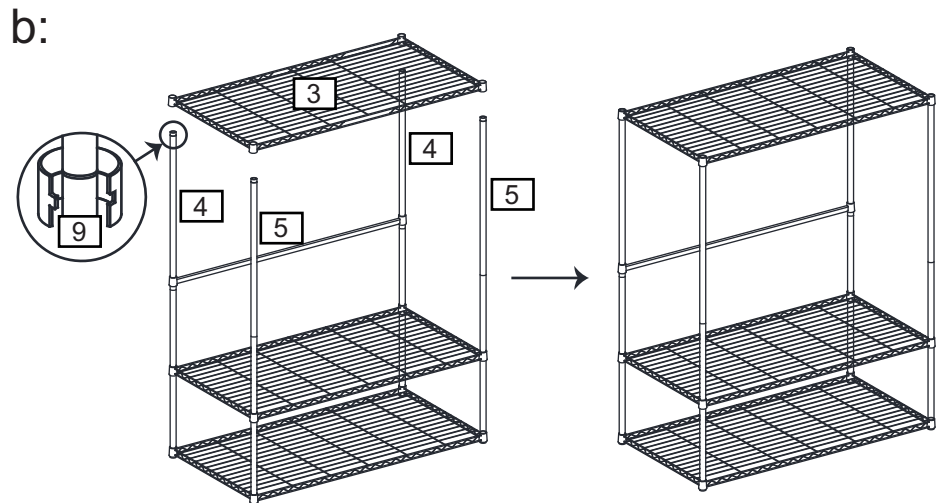
Assembly Instructions

Step 2

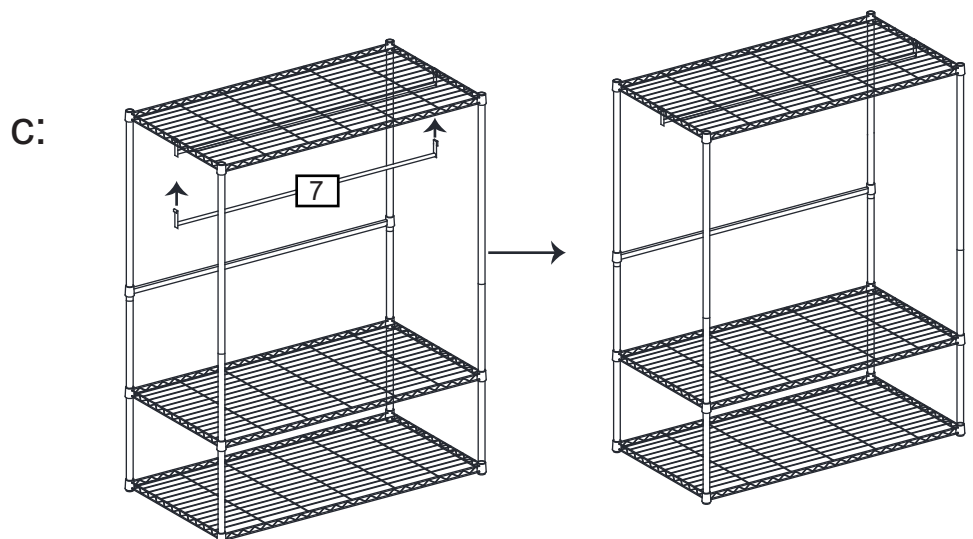
a: Attach support bar **6** to thin rods **4**



b: Attach shelf **3** and the plastic holder **9** to thin rods **4** and **5** as shown.




c: Attach hanging rail **7** to the shelf **3** as shown.



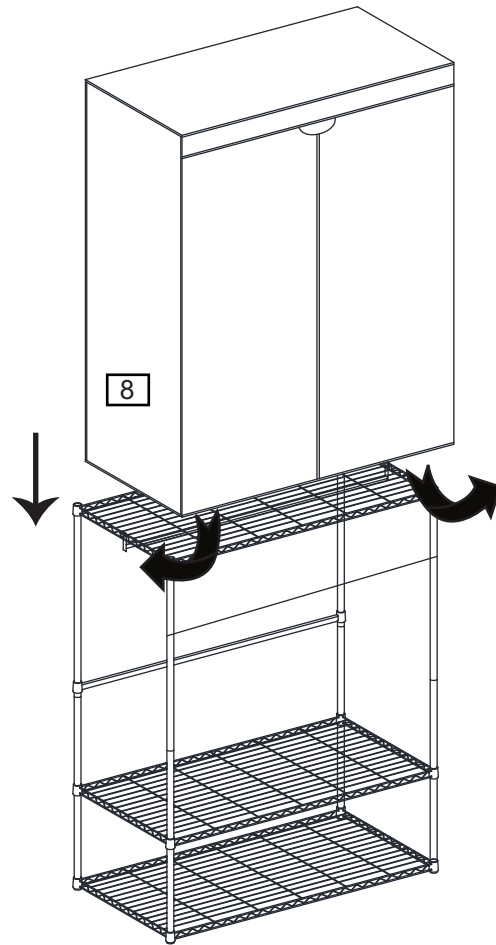
Assembly Instructions

Step 4

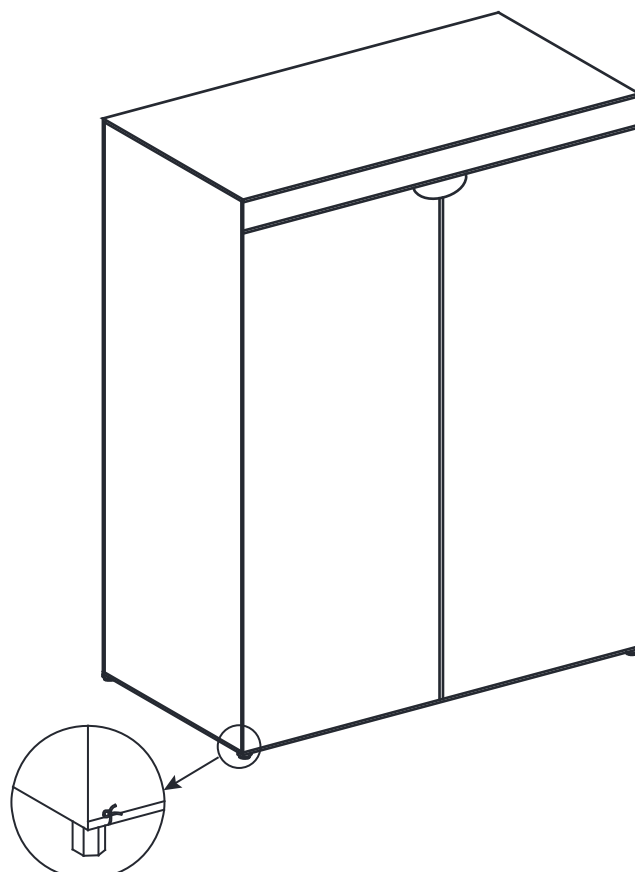
a: Fitting the cover  into the assembled frame as shown in the figure.

Note: It is recommended that two people fit the cover to the frame.

a:



b:



b: Fasten the ties at bottom.

Assembly Instructions

Step 5

Fixing to wall

It is recommended that the wardrobe is fixed to a wall.

Note:

The correct type of fixing must be used for your wall, seek professional advice if doubt.

Mark the fixing hole on the wall and remove the wardrobe. Drill a hole and insert a wall plug **B**.

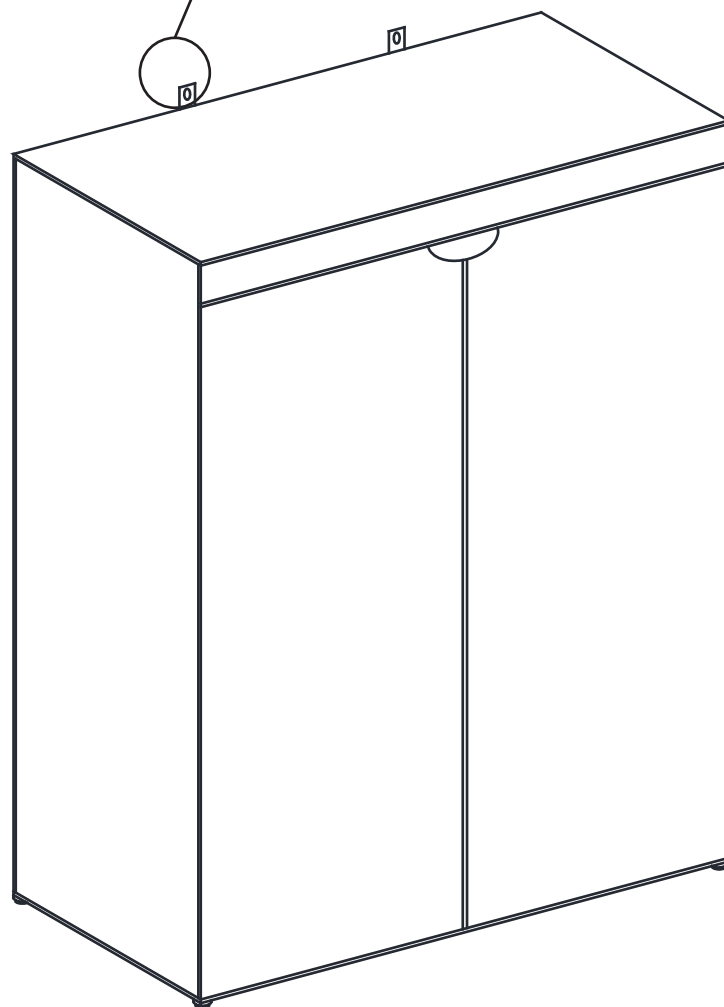
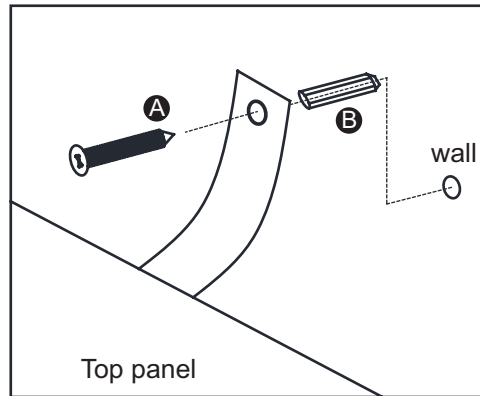


Warning:

Before drilling, check the wall for hidden pipes and cables.

Reposition the wardrobe and fix the wall strap using screw **A**.

The assembly is now complete.



If you need help or have damaged or missing parts, call the **Customer helpline:** 0345 6400800

A Guide to - Wall Mounting & Fixings

Important note:

If plastic wall plugs are supplied with your product:



- these are only suitable for use in masonry walls.

If you are in any doubt about the correct wall plugs for your wall, seek professional advice.


Failure of the product due to using incorrect fixings is the responsibility of the installer.



Important: When drilling into walls always check that there are no hidden wires or pipes etc.

Make sure that the screws and wall plugs being used are suitable for supporting your unit. Consult a qualified tradesperson if you are unsure.

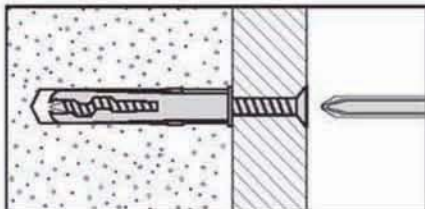
Hints:

- 1: General rule:**  Always use a larger screw and wall plug if you are not sure.
- 2:** Ensure you use the recommended drill bit to match the wall plug and hole size.
- 3:** Ensure you drill the hole horizontally, do not force the drill or enlarge the hole.
- 4:** Take extra care when drilling high walls, ceilings and ceramic tiles. Ensure wall plugs are inserted beyond the thickness of the ceramic tiles to avoid the tiles splitting or cracking.
- 5:** Ensure wall plugs are well fitted and are a tight fit in the drilled hole.

Types of walls

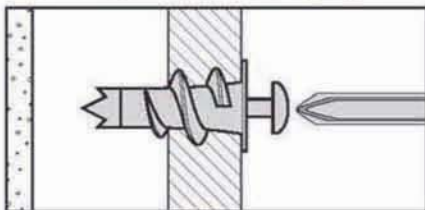
You can use one of the following types of wall plug if your walls are made of brick, breeze block, concrete, stone or wood.

No.1 "General Purpose" wall plug



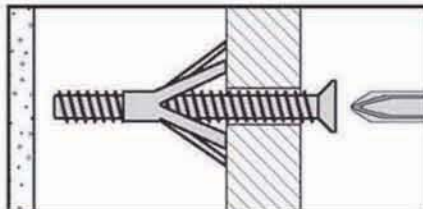
Generally aerated blocks should not be used to support heavy loads, use a specialist fitting in this case. For light loads, general purpose wall plugs can be used.

No.2 "Plasterboard" wall plug



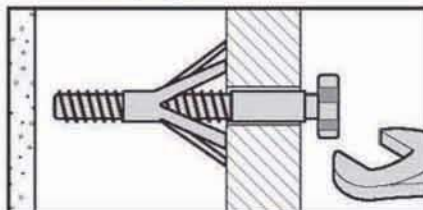
For use when attaching light loads on to plasterboard partitions.

No.3 "Cavity Fixing" wall plug



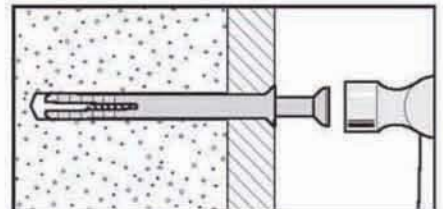
For use with plasterboard partitions or hollow wooden doors.

No.4 "Cavity Fixing-Heavy Duty" wall plug



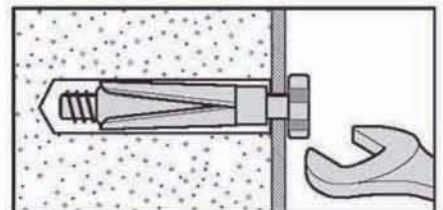
For use when fitting or supporting heavy loads such as shelving, wall cabinets and coat racks.

No.5 "Hammer Fixing" wall plug



For use with walls stuck with plasterboard. The hammer fixing allows it to be fixed to the wall rather than the plasterboard. Always check the fixing is secure to the retaining wall.

No.6 "Shield Anchor" wall plug Heavy loads



For use with heavier loads such as TV & HiFi speakers and satellite dishes etc.



Care & Maintenance

Safety: Always check the fitting and location to ensure your safety in and around the home.

Fitting: From time to time check the fitting to ensure the wall plugs or screws do not become loose.