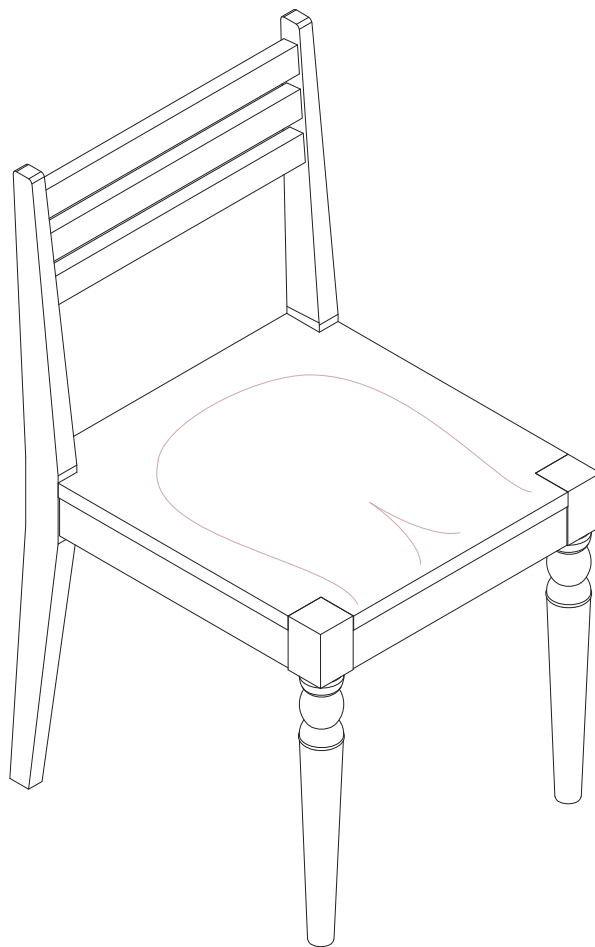


Barnwell Chair



Spare Parts

 www.argos-support.co.uk

 Help@ClickSpares.co.uk

 0370 112 1928

Customer Support

 0345 640 2020



Safety and Care Advice

Product Details

Barnwell Chair Pair 4723840

IMPORTANT, RETAIN FOR FUTURE REFERENCE: READ CAREFULLY.

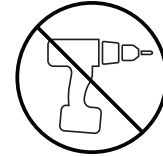
- Keep children and animals away from the work area, small parts could choke if swallowed.

- Make sure you have enough space to layout the parts before starting.

- This product has been constructed to be used in the domestic environment only and not for commercial purposes.

- Assemble the item as close to its final position (in the same room) as possible.

- Assemble on a soft level surface to avoid damaging the unit or your floor.



- We do not recommend the use of power drill/drivers for inserting screws as this could damage the unit. Only use hand screwdrivers.

- Parts of the assembly will be easier with 2 people.

- Dispose of all packaging carefully and responsibly.

Care and maintenance

- Only clean using a damp cloth and mild detergent. Do not use abrasive cleaners.

- Use a dry cloth to clean the product, furniture polish is not recommended.

- From time to time check that there are no loose screws, nuts or bolts. If there are please re-tighten.

- This product should not be discarded with household waste. Take to your local authority waste disposal centre.

Additional Guidance

- Assemble all parts and bolts loosely during assembly, only once the product is complete should you fully tighten the bolts.

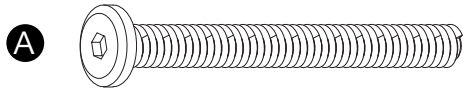
- Regularly check and ensure that all bolts and fittings are tightened properly.

- Maximum user weight 100kg

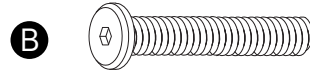
- This product is compliant EN12520

Fittings (Shown to scale)

Bag 1



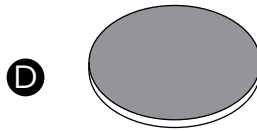
M8x50mm Bolt x 8



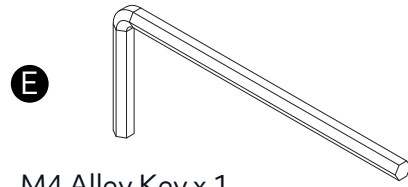
M6x30mm Bolt x 3



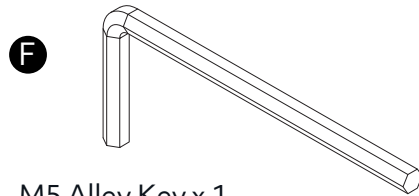
Flat Washer x 8



Ø25mm Felt pad x 4

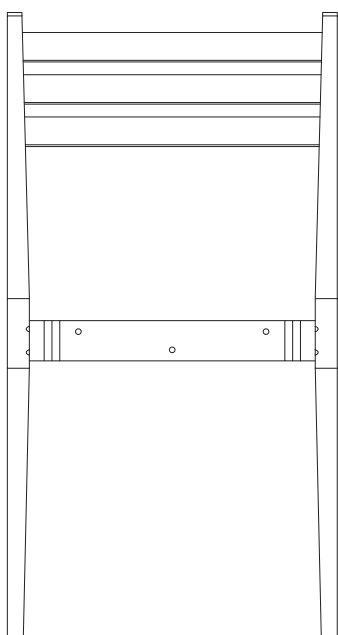


M4 Alley Key x 1



M5 Alley Key x 1

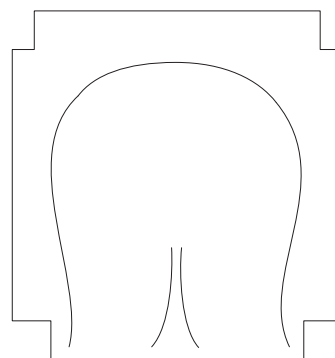
Parts



1 Back Frame x 1
(850 x 450mm)

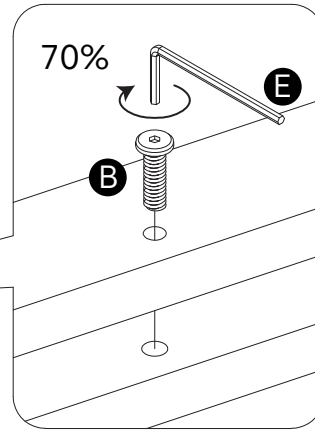
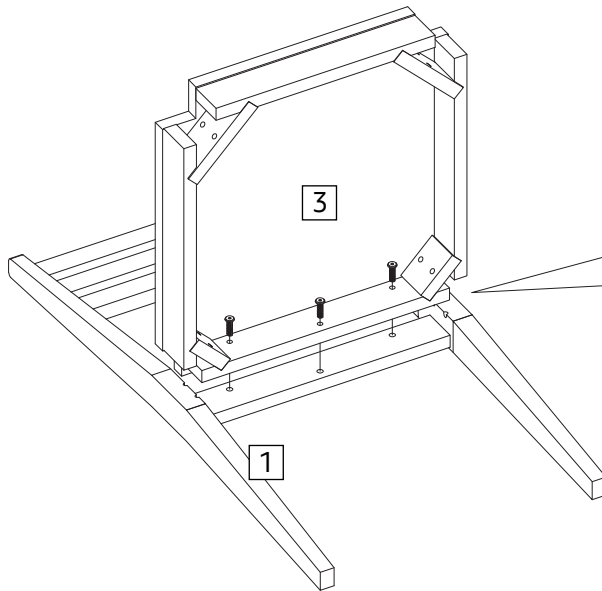
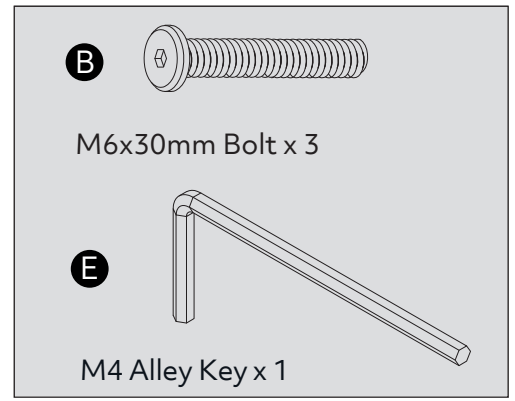
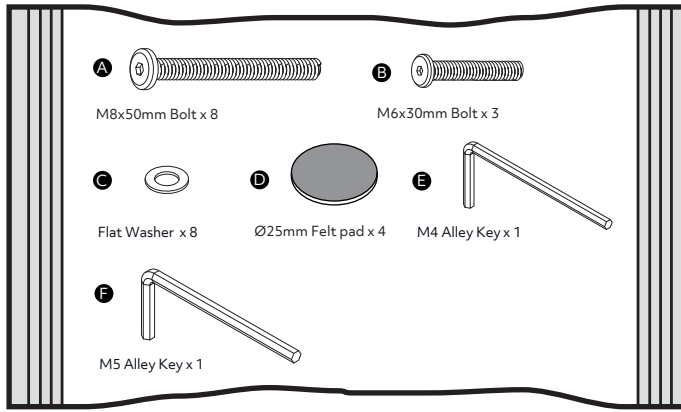


2 Leg x 2
(450 x 52.5mm)



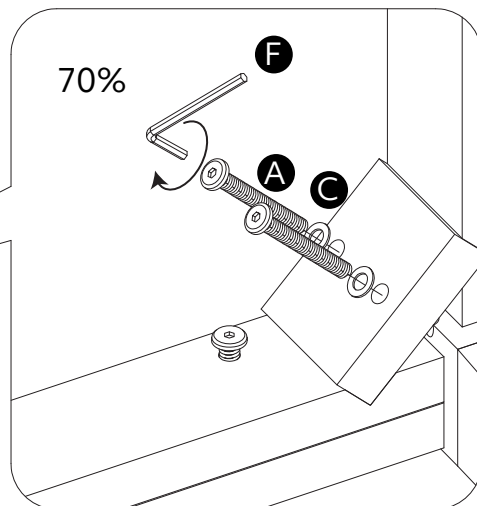
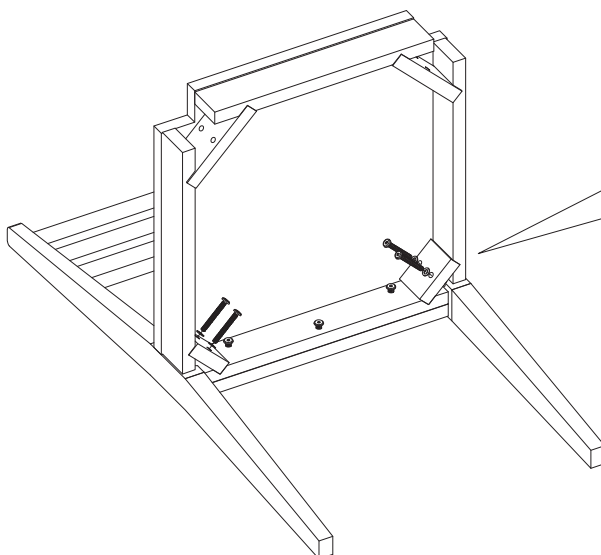
3 Seat x 1
(475 x 450mm)

1



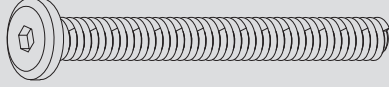

Warning!
Please do not fully tighten the bolts in this step.

2



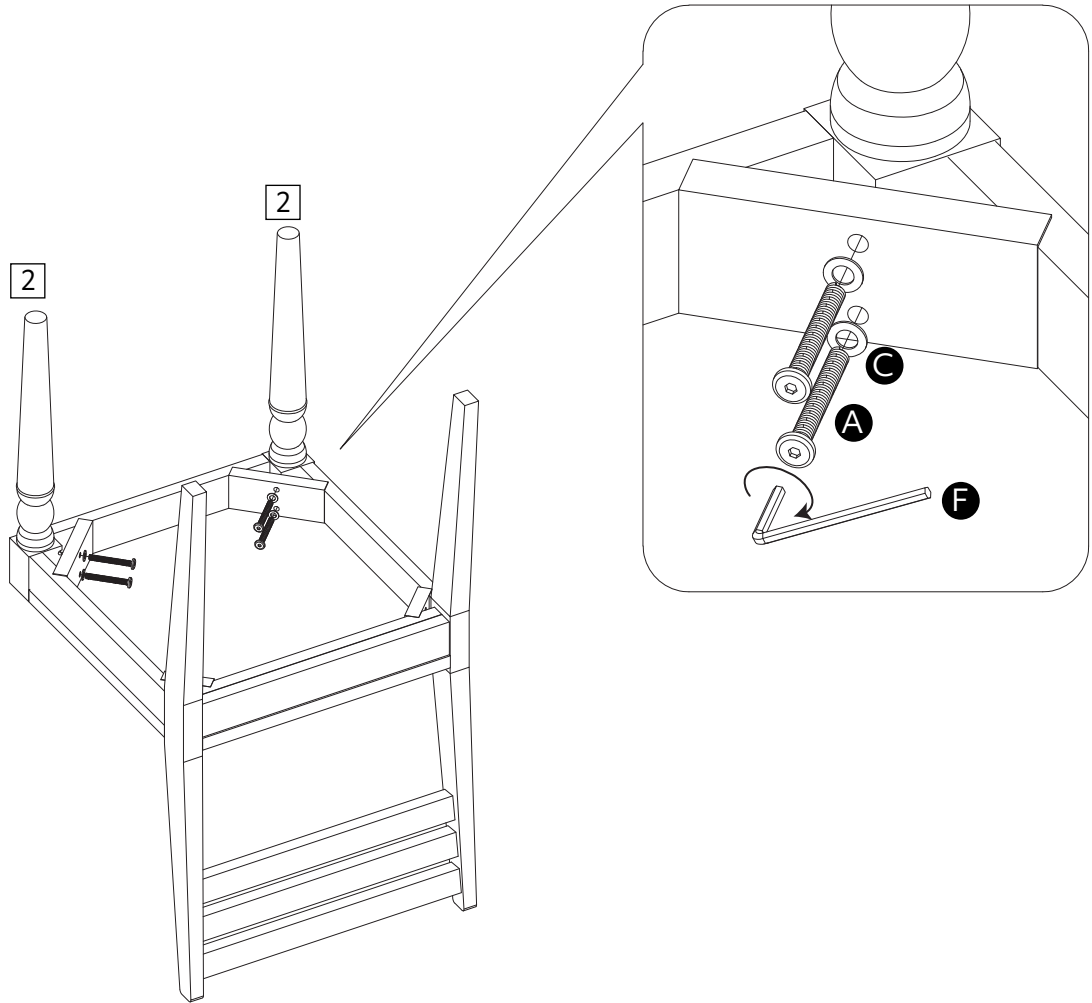
Warning!
Please do not fully tighten the bolts in this step.

3

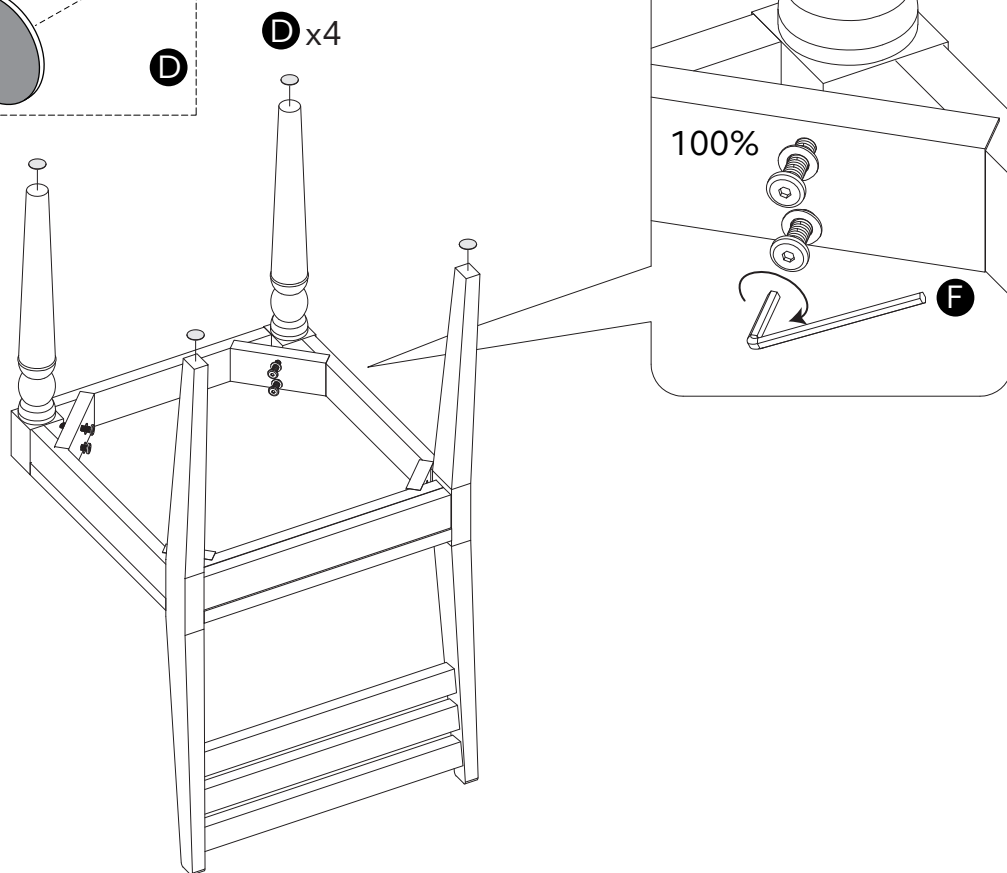
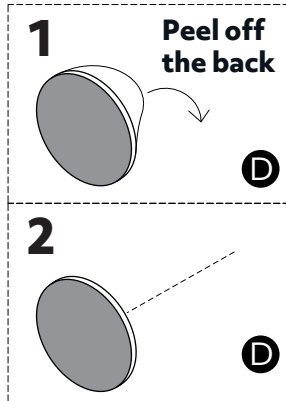
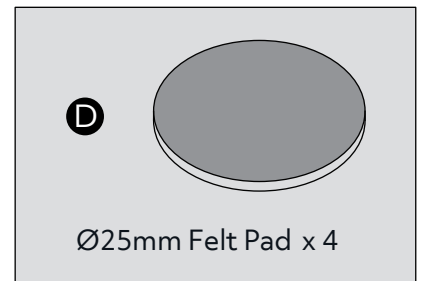
A  **C** 

M8x50mm Bolt x 4

Flat Washer x 4



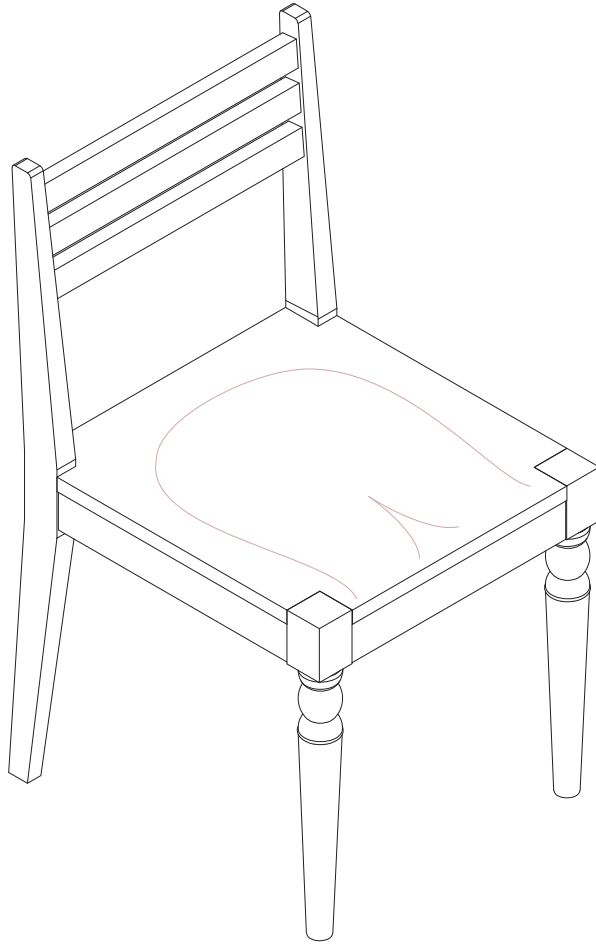
4



Warning!

Please do fully tighten all the bolts in this step.

5



Assembly is complete.