

3870756 3442847 4721309 Wooden Tripod Floor

Assembly Instructions - Please retain for future reference

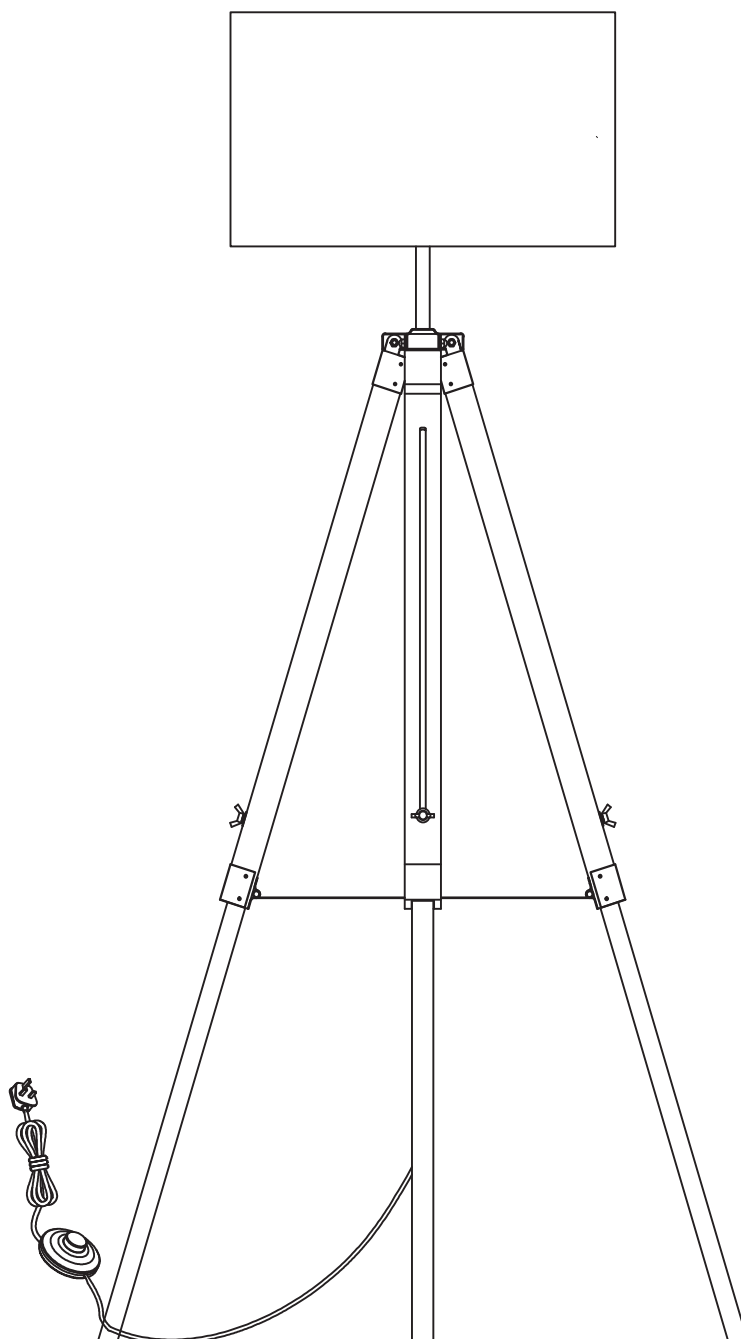
Dimensions

Compact

Width - 76cm

Height - 148cm

Length - 76cm



If you need help or have damaged or missing parts, email:
customerservices@habitat.co.uk or call: 0344 499 4686

 habitat

Components & Fittings

If you need help or have damaged or missing parts, email: customerservices@habitat.co.uk or call: 0344 499 4686

Please check you have all the components and fittings listed below

Before commencing assembly, please identify all components.

Do not discard the packaging, until the units is fully assembled to ensure that no fittings or components are disposed of.

Specification

Product: Wooden Tripod Floor

Voltage: 220-240V AC 50Hz

Wattage: Max 15W LED

Bulb Type: E27



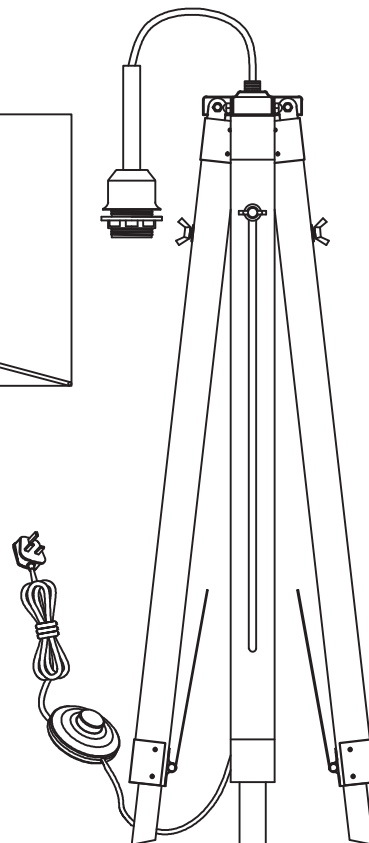
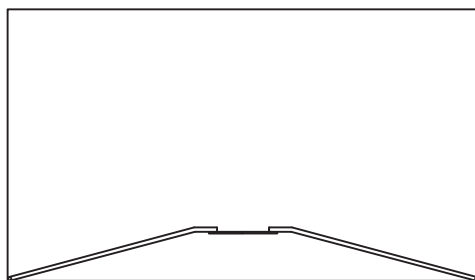
3870756 / 3442847 / 4721309




Bulb not included

Please turn off the power supply when replacing the bulb.

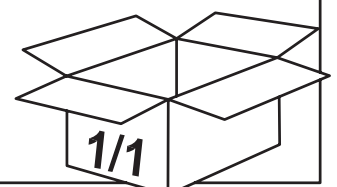
Components



 ← 1PC

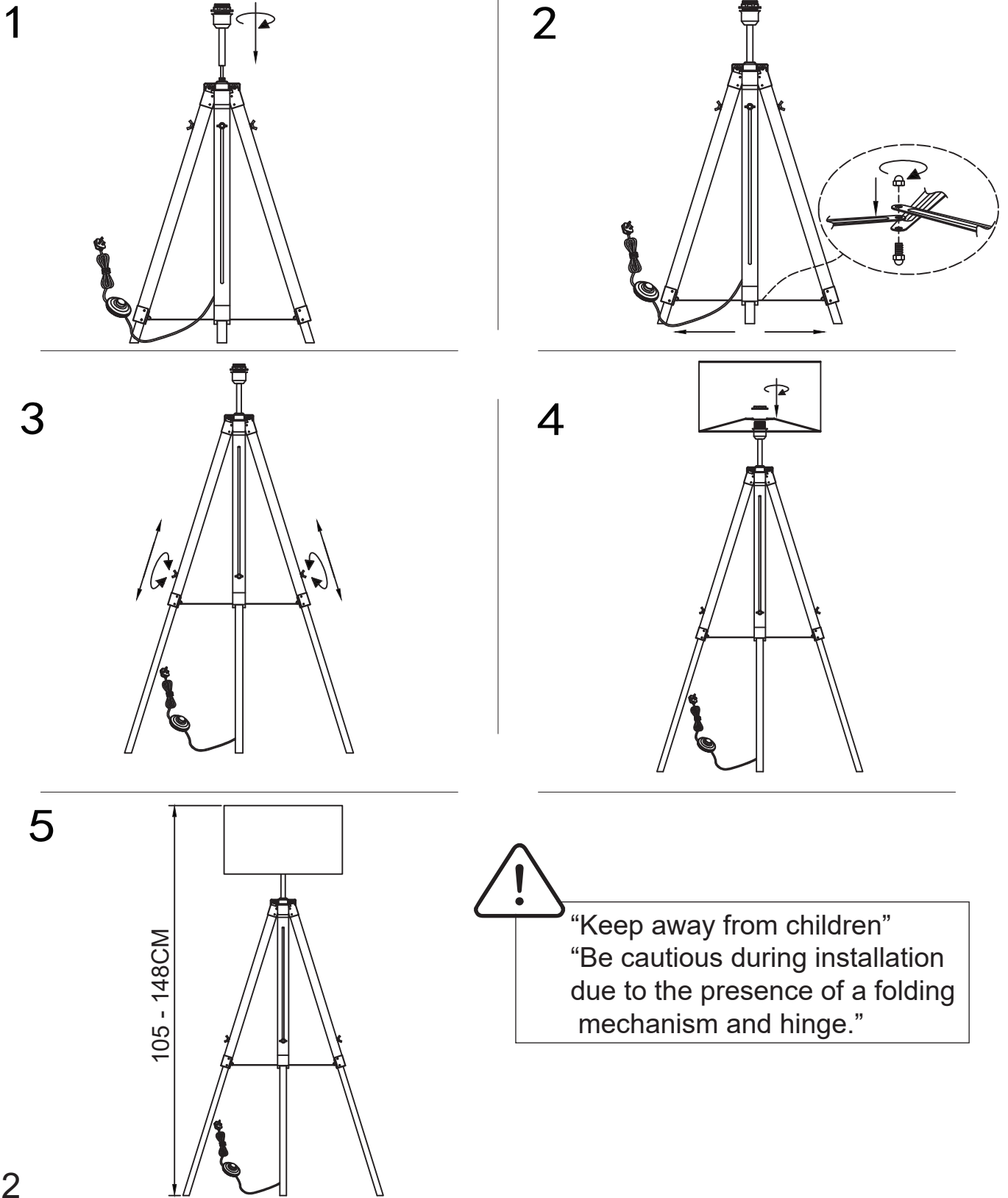
 ← 1PC

1



Installation instructions

Important – Please retain for future reference



“Keep away from children”
“Be cautious during installation
due to the presence of a folding
mechanism and hinge.”

If you need help or have damaged or missing parts, email:
customerservices@habitat.co.uk or call: 0344 499 4686

 **habitat**

Safety Information

Important – Please retain for future reference



This product is double insulated and must not be earthed. If in doubt, we recommend you consult a qualified electrician.

This product is supplied complete with a 3-amp fuse plug. Our products should not be modified. If any modification is made, including tampering with the plug, it will invalidate the warranty and may render the product unsafe.

IMPORTANT - Dispose of all packaging correctly and responsibly and in accordance with all local laws and regulations. Never leave packaging components within reach of children as they can be a source of danger.

IMPORTANT - Always be sure to use the correct type and wattage of bulbs as indicated on the fitting. Never exceed the wattage stated.

IMPORTANT - When changing the bulb, always switch off at the mains and allow the old bulb to cool down before handling. Dispose of used bulbs carefully.

IMPORTANT - The luminaire is designed for indoor use only.

IMPORTANT - This fitting is Class II appliance.

IMPORTANT - If the external flexible cable or cord of this luminaire is damaged, it shall be exclusively replaced by the manufacture or his service agent or a similar qualified person in order to avoid a hazard.

WARNING - This product is not intended for use by persons (including children) with reduced physical, sensory and mental capabilities, or lack of experience and knowledge, unless they have been given supervision or instruction concerning use of the product by persons responsible for their safety.

WARNING - Children should be supervised to ensure that they do not play with the product.

THIS PRODUCT CAN GET EXTREMELY HOT DURING USE. CAUTION MUST BE TAKEN WHEN MAINTAINING, ADJUSTING OR CLEANING THE LUMINAIRE.



3

If you need help or have damaged or missing parts, email:
customerservices@habitat.co.uk or call: 0344 499 4686

 **habitat**

Maintenance

Important – Please retain for future reference

This product is designed for indoor use.

BULB REPLACEMENT

1. Switch off the mains power supply.
2. Before replacing the bulb, allow it to cool down for at least 10 minutes.
3. Never touch the bulb with your fingers directly, cover it with a cloth.
4. Loosen the bulb and remove it from the lamp.
5. Replace a new bulb with same voltage and wattage



Disposal of Waste Equipment by Users in the European Union.

This symbol on the product indicates that this product must not be disposed of with your other household waste. Instead, it is your responsibility to dispose of your waste equipment by handing it over to a designated collection point for the recycling of waste electrical and electronic equipment. The separate collection and recycling of your waste equipment at the time of disposal will help to conserve natural resource that it is recycled in a manner that protects human health and the environment. For more information about where you can drop off your waste equipment for recycling, please contact your local city office, your households waste disposal service or the shop where you purchased the product.

