

Dishwasher

User manual

DW60A807*/DW60A806*/DW60A805*/
DW60A804* Series



SAMSUNG

Contents

Safety information	4
What you need to know about safety instructions	4
Important safety symbols	4
Instructions about the WEEE	5
Important safety precautions	6
Instructions when using your dishwasher	8
Instructions for protecting your children	9
Instructions for installing your dishwasher	10
Installation	13
What's included	13
Installation requirements	16
Step-by-step installation	18
Skirting board	33
Info Light (DW60A80**BB, DW60A80**IB Series)	35
Kick plate (DW60A80**U* Series)	36
SmartThings (Applicable models only)	37
Open Source Announcement	41
Before you start	42
Dishwasher at a glance	42
Unsuitable items for the dishwasher	44
Basic use of racks	45
Detergent compartment	50
Rinse aid reservoir	52
Salt storage	53
Touchpad responsiveness	54
Setting mode	55
Operations	57
Control panel	57
Cycle overview	59
Simple steps to start	61
Salt storage	62
Delay Start	64
Control Lock	64
Maintenance	65
Cleaning	65
Long-term care	68

Troubleshooting	69
Checkpoints	69
Information codes	72
Cycle chart	73
Appendix	77
Transportation/relocation	77
Protection against frost	77
Disposing the dishwasher and helping the environment	77
For more ecodesign information	77
Specifications	78
For standard test	79



Safety information

Congratulations on your new Samsung dishwasher. This manual contains important information on the installation, use and care of your appliance. Please take time to read this manual to take full advantage of your dishwasher's many benefits and features.

What you need to know about safety instructions

Please read this manual thoroughly to ensure that you know how to safely and efficiently operate the extensive features and functions of your new appliance and retain it at a safe place near the appliance for your future reference. Use this appliance only for its intended purpose as described in this user manual.

Warning and important safety instructions in this manual do not cover all possible conditions and situations that may occur. It is your responsibility to use common sense, caution, and care when installing, maintaining, and operating your dishwasher.

Because the following operating instructions cover various models, the characteristics of your dishwasher may differ slightly from those described in this manual and not all warning signs may be applicable. If you have any questions or concerns, contact your nearest service center or find help and information online at www.samsung.com.

Important safety symbols

What the icons and signs in this user manual mean:

 **WARNING**

Hazards or unsafe practices that may result in **severe personal injury, death and/or property damage**.

 **CAUTION**

Hazards or unsafe practices that may result in **personal injury and/or property damage**.

 **NOTE**

Indicates that a risk of personal injury or material damage exists.

These warning symbols are here to prevent injury to you and others. Please follow them explicitly.

Keep these instructions in a safe place and ensure that new users are familiar with the content. Pass them on to any future owner.





Instructions about the WEEE



Correct Disposal of This Product (Waste Electrical & Electronic Equipment)

(Applicable in countries with separate collection systems)

This marking on the product, accessories or literature indicates that the product and its electronic accessories (e.g. charger, headset, USB cable) should not be disposed of with other household waste at the end of their working life. To prevent possible harm to the environment or human health from uncontrolled waste disposal, please separate these items from other types of waste and recycle them responsibly to promote the sustainable reuse of material resources.

Household users should contact either the retailer where they purchased this product, or their local government office, for details of where and how they can take these items for environmentally safe recycling.

Business users should contact their supplier and check the terms and conditions of the purchase contract. This product and its electronic accessories should not be mixed with other commercial wastes for disposal.

For information on Samsung's environmental commitments and product specific regulatory obligations e.g. REACH, WEEE, Batteries, visit our sustainability page available via [Samsung.com](https://www.samsung.com)



Safety information

Important safety precautions

To reduce the risk of fire, electric shock, or injury to persons when using your appliance, follow basic precautions, including the following:

1. This appliance is not to be used by persons (including children) with reduced physical, sensory or mental capabilities, or lack of experience and knowledge, unless they have been given supervision or instruction concerning use of the appliance by a person responsible for their safety.
2. This appliance can be used by children aged from 8 years and above and persons with reduced physical, sensory or mental capabilities or lack of experience and knowledge if they have been given supervision or instruction concerning use of the appliance in a safe way and understand the hazards involved. Children shall not play with the appliance. Cleaning and user maintenance shall not be made by children without supervision.
3. Children should be supervised to ensure that they do not play with the appliance.
4. If the supply cord is damaged, it must be replaced by the manufacturer, its service agent or similarly qualified persons in order to avoid a hazard.
5. The new hose-sets supplied with the appliance are to be used and old hose-sets should not be reused.

-
6. For appliances with ventilation openings in the base, a carpet must not obstruct the openings.
 7. Children of less than 3 years should be kept away unless continuously supervised.
 8. **CAUTION:** In order to avoid a hazard due to inadvertent resetting of the thermal cut-out, this appliance must not be supplied through an external switching device, such as a timer, or connected to a circuit that is regularly switched on and off by the utility.
 9. **WARNING:** Knives and other utensils with sharp points must be loaded in the basket with their points down or placed in a horizontal position.

This appliance is intended to be used in household and similar applications such as:

- staff kitchen areas in shops, offices and other working environments;
- farm houses;
- by clients in hotels, motels and other residential type environments;
- bed and breakfast type environments.

Safety information

Instructions when using your dishwasher

This dishwasher is not designed for commercial use. It is intended for use in domestic households and in similar working and residential environments such as:

- Shops
- Offices and showrooms

and by residents in establishments such as:

- Hostels and guest houses.

It must only be used as a domestic appliance as specified in this user manual, for cleaning domestic crockery and cutlery. Any other usage is not supported by the manufacturer and could be dangerous.

The manufacturer cannot be held liable for damage resulting from incorrect or improper use or operation.

Do not use solvents in the dishwasher. Danger of explosion.

Do not inhale or ingest dishwasher detergent. Dishwasher detergents contain irritant or corrosive ingredients which can cause burning in the nose, mouth and throat if swallowed, or inhibit breathing. Consult a doctor immediately if detergent has been swallowed or inhaled.

Avoid leaving the door open unnecessarily, as you could trip over it.

Do not sit or lean on the opened door. This could cause the dishwasher to tip and be damaged, and you could get injured.

Only use detergent and rinse aid formulated for domestic dishwashers. Do not use washing-up liquid.

Do not use any strong acid cleaning agent.

Do not fill the rinse aid reservoir with powder or liquid detergent. This will cause serious damage to the reservoir.

Inadvertently filling the salt reservoir with powder or liquid dishwasher detergent will damage the water softener. Make sure you have picked up the correct packet of dishwasher salt before filling the salt reservoir.

Please only use special coarse grained dishwasher salt for reactivation, as other salts may contain insoluble additives which can impair the functioning of the softener.

In an appliance with a cutlery basket (depending on model), cutlery is cleaned and dried more if placed in efficiently the basket with the handles downwards. However, to avoid the risk of injury, place knives and forks etc. with the handles upwards.

Plastic items which cannot withstand being washed in hot water, such as disposable plastic containers, or plastic cutlery and crockery should not be cleaned in the dishwasher. The high temperatures in the dishwasher may cause them to melt or lose shape.

On models with **Delay Start** function, make sure that the dispenser is dry before adding detergent. Wipe dry if necessary. Detergent will clog if poured into a damp dispenser and may not be thoroughly dispersed.



Knives and other utensils with sharp points must be loaded in the basket with their points down or placed in a horizontal position.

Instructions for protecting your children

This appliance is not a toy! To avoid the risk of injury, keep children well away and do not allow them to play in or around the dishwasher or to use the controls. They will not understand the potential dangers posed by it. They should be supervised whenever you are working in the kitchen. There is also a danger that children playing might shut themselves in the dishwasher.

This appliance can be used by children aged from 8 years and above and persons with reduced physical, sensory or mental capabilities or lack of experience and knowledge if they have been given supervision or instruction concerning use of the appliance in a safe way and understand the hazards involved. Children shall not play with the appliance. Cleaning and user maintenance shall not be made by children without supervision.

Older children may only use the dishwasher when its operation has been clearly explained to them and they are able to use it safely, recognising the dangers of misuse.

KEEP CHILDREN AWAY FROM DETERGENTS!

Dishwasher detergents contain irritant and corrosive ingredients which can cause burning in the mouth, nose and throat if swallowed, or inhibit breathing.

Keep children away from the dishwasher when the door is open. There could still be detergent residues in the cabinet.

Consult a doctor immediately if your child has swallowed or inhaled detergent.





Safety information

Instructions for installing your dishwasher

Before setting up the appliance, check it for any externally visible damage. Under no circumstances should you use a damaged appliance. A damaged appliance could be dangerous.

The dishwasher must only be plugged into the electricity supply via a suitable switched socket. The electrical socket must be easily accessible after the dishwasher is installed so that it can be disconnected from the electricity supply at any time. (Refer to the "Dishwasher at a glance" section on page 42.)

There must be no electrical sockets behind the dishwasher. Danger of overheating and fire risk if the dishwasher were to be pushed up against a plug.

The dishwasher must not be installed under a hob. The high radiant temperatures which are sometimes generated by a hob could damage the dishwasher. For the same reason it should not be installed next to open fires or other appliances which give off heat, such as heaters etc.

Do not connect the dishwasher to the mains supply until it has been fully installed and any adjustment has been made to the door springs.

Before connecting the appliance, check that the connection data on the data plate (voltage and connected load) match the mains electricity supply. If in any doubt, consult a qualified electrician.

The electrical safety of this appliance can only be guaranteed when continuity is complete between it and an effective grounding system. It is most important that this basic safety requirement is present and regularly tested and where there is any doubt the electrical system in the house should be checked by a qualified electrician.

The manufacturer cannot be held liable for the consequences of an inadequate grounding system (e.g. electric shock).

Do not connect the appliance to the mains electricity supply by a multi-socket unit or an extension lead. These do not guarantee the required safety of the appliance (e.g. danger of overheating).

This appliance may only be installed in mobile installations such as ships if a risk assessment of the installation has been carried out by a suitably qualified engineer.



The plastic housing of the water connection contains an electrical component. The housing must not be submerged in water.

There are electrical wires in the hose of Aqua-Stop. Never cut the water inlet hose, even if it is too long.

Installation, maintenance and repairs may only be carried out by a suitably qualified and competent person in strict accordance with current national and local safety regulations. Repairs and other work by unqualified persons can be dangerous. The manufacturer cannot be held liable for unauthorised work.

The integrated waterproof system offers protection from water damage, provided the following conditions are met:

- The dishwasher is correctly installed and plumbed in.
- The dishwasher is properly maintained and parts are replaced where it can be seen that this is necessary.
- The stopcock has been turned off when the appliance is not used for a longer period of time (e.g. during holidays).
- The waterproof system will work even if the appliance is switched off. However, the appliance must remain connected to the electricity supply.

A damaged appliance can be dangerous. If the dishwasher gets damaged, switch it off at the mains and call your dealer or the service department.

Unauthorised repairs could result in unforeseen dangers for the user, for which the manufacturer cannot accept liability. Repairs should only be undertaken by an approved service technician.

Faulty components must only be replaced by original spare parts. Only when these parts are fitted can the safety of the appliance can be guaranteed.

Always disconnect the dishwasher from the electrical supply for maintenance work (switch off at the wall socket and remove the plug).

If the connection cable is damaged it must be replaced with a special cable, available from the manufacturer. For safety reasons, this must only be fitted by the service department or an authorised service technician.

In countries where there are areas which may be subject to infestation by cockroaches or other vermin, pay particular attention to keeping the appliance and its surroundings in a clean condition at all times. Any damage which may be caused by cockroaches or other vermin will not be covered by the guarantee.

Safety information

In the event of a fault or for cleaning purposes, the appliance is only completely isolated from the electricity supply when:

- it is switched off at the wall socket and the plug is withdrawn, or
- it is switched off at the mains, or
- the mains fuse is disconnected, or
- the screw-out fuse is removed (in countries where this is applicable).

Do not make any alterations to the appliance, unless authorised to do so by the manufacturer.

Never open the casing/housing of the appliance. Tempering with electrical connections or components and mechanical parts is highly dangerous and can cause operational faults or electric shock.

While the appliance is under guarantee, repairs should only be undertaken by a service technician authorised by the manufacturer. Otherwise the guarantee will be invalidated.

When installing the product, make sure there is space at the top, left, right and back of the product to ensure proper ventilation. If there is insufficient space between the product and the sink, it may damage the sink or allow mold to grow.

Make sure that your dishwasher's hardness level setting is correct as your area. (Refer to the "Salt storage" section on page 53.)

Please consult www.samsung.com/support for more information about materials and repair.

Installation

What's included

Make sure all the parts are included in the product package. If you have a question about the dishwasher or the parts, contact a local Samsung customer centre or your retailer. The actual appearance of the dishwasher may differ, depending on your model and country.

⚠ CAUTION

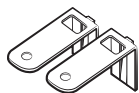
After unpacking the dishwasher, keep packaging materials out of children's reach to ensure their safety.

FBI (Fully Built-In, DW60A80**BB) models

Top bracket (2)	Ø4 X 14 screw (10)	Protective condensation sticker (1)	Plastic cap (2)
Ø3.5 X 45 screw (4)	Ø3.5 X 16 screw (2)	Door bracket (2)	Sub foot (3)
Custom panel fixer (wood panel holders, 2)	Ø3.5 X 25 screw (2)	Ø3.9 X 13 screw (4)	Upper side trim (1) (DW60A804***, DW60A805***)

Installation

FBI (Sliding, DW60A80**IB) models



Top bracket (2)



Ø4 X 14 screw (14)



Protective condensation sticker (1)



Plastic cap (2)



Custom panel fixer (2)



Ø3.5 X 16 screw (2)



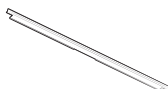
Sub foot (3)



Custom panel fixer (2)



Ø3.9 X 13 screw (4)



Upper side trim (1)
(DW60A804***,
DW60A805***)

BU (Built Under, DW60A80**U*) models



Top brackets (2)



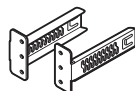
Ø4 X 14 screws (2)



Sub foot (3)



Ø3.5 X 16 screws (2)



Kick plate brackets (2)



Kick plate



Plastic cap (2)



Kick plate bolt (4)



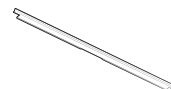
Kick plate nut (4)



Protective sticker (1)



Ø3.9 X 13 screw (4)



Upper side trim (1)
(DW60A804***,
DW60A805***)

Installation kit (not provided)



Hose clamp

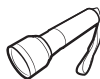
Tools required (not provided)



Safety glasses



Gloves



Flashlight



Wrench (22 mm)
for the front foot



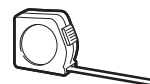
Torx T15



Pliers



Nipper



Tape measure



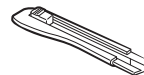
Pencil



Phillips screwdriver



Flat head
screwdriver



Cutting knife



Level



Hole saw
(80-100 mm)



Ear clamp plier



Installation

Installation requirements

To prevent a risk of fire, electric shock, or personal injury, all wiring and grounding must be done by a qualified technician.

Power supply

- An individual 220-240 V~, 50 Hz branch circuit that is dedicated to the dishwasher.
- Power outlet with a maximum allowable current of 16 A (maximum 11 A for the dishwasher)

WARNING

- Do not use an extension cord.
- Use only the power plug that comes with the dishwasher.
- After installation is complete, make sure the power plug is not bent or damaged.

Grounding

For permanent grounding, the dishwasher must be properly grounded to a grounded metal or permanent wiring system. The grounding conductor must be run with the circuit conductors and then connected to the grounding terminal or lead on the dishwasher.

WARNING

- Do not connect the ground wire to plastic plumbing, gas lines, or hot water pipes. Improperly connected grounding conductors may cause electric shock.
- Do not modify the power plug of the dishwasher. If the power plug does not fit the outlet, have a proper outlet installed by a qualified electrician.

Water supply

- The water supply line must support water pressures between 0.04 and 1 MPa.
- Water temperatures must be lower than 60 °C.
- A stopcock with a 3/4" male thread must be installed on the water tap.

To reduce a risk of leaks:

- Make sure water taps are easily accessible.
- Turn the water tap off when the dishwasher is not in use.
- Check for any leaks at the water hose fittings on a regular basis.
- To stop any leak, seal the water line connections and joints using Teflon tape or sealing compound.

Aqua Stop

The Aqua Stop is an electrical component that is designed to prevent water leaks. The Aqua Stop is attached to the water hose and automatically cuts off the water flow in the event of damage to the hose.

CAUTION

- Handle the Aqua Stop with care.
- Do not kink or twist the water hose connected to the Aqua Stop. If the Aqua Stop is damaged, shut off the water taps and unplug the power plug immediately. Then, contact a local Samsung customer centre or a qualified technician.





Drain

If you are using a drain system dedicated to the dishwasher, connect the drain hose to a drain system that is between 30 cm and 70 cm off the ground. Connecting the drain hose to a drain system more than 80 cm off the ground can cause the drained water to flow backward.

Flooring

For safety, the dishwasher must be installed on a solidly constructed floor. Wooden floors may need to be reinforced to minimise vibrations. Avoid installing on carpet or soft tile. Carpeting and soft tile may cause vibrations and may cause your dishwasher to move slightly while operating.

WARNING

Do not install the dishwasher on a poorly supported structure.

Ambient temperature

Do not install the dishwasher in an area exposed to freezing temperatures. The dishwasher always retains some water in the water valve, pump, and hose. If the water freezes in the dishwasher or hoses, it may damage the dishwasher and its components.

Test run

After installing the dishwasher, run the Quick cycle to make sure the dishwasher is installed correctly.

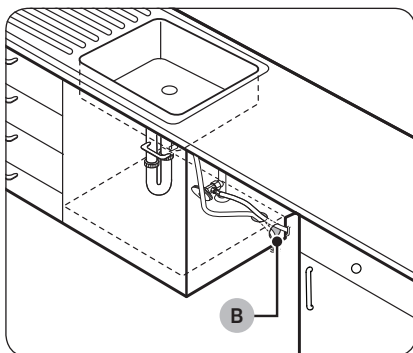
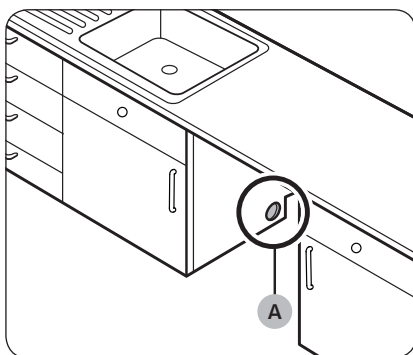


Installation

Step-by-step installation

The installation procedure may differ depending on the model.

STEP 1 Select a location



Select a location that meets the following conditions.

- The location must have a solid floor that can support the weight of the dishwasher.
- The location must be near a sink with easy access to the water supply, drain system, and electrical outlet.
- The location must let you load dishes into the dishwasher easily.
- The location must have sufficient space for the dishwasher door to open easily and provide enough space between the dishwasher and the cabinet sides.
- The rear wall must be free of obstructions.

Installation in a new location

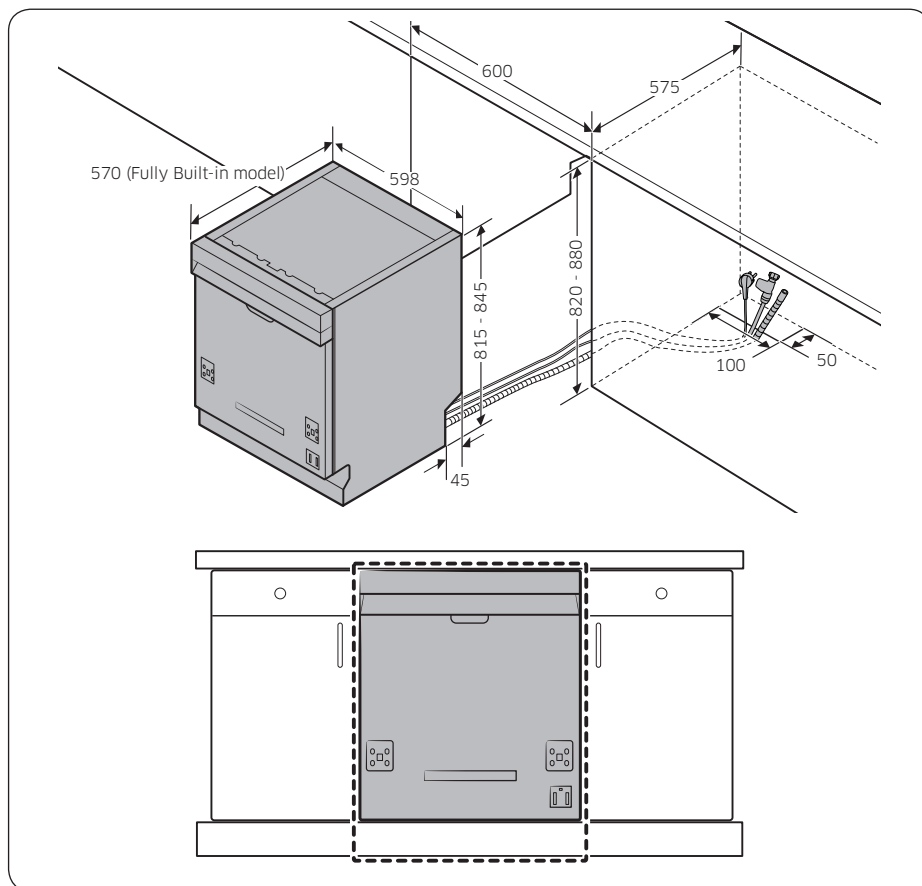
If you install the dishwasher in a new location, follow these instructions before installing the dishwasher.

1. Using a hole saw, cut a hole into the side of the cabinet that holds the sink (A).
2. If the base inside the sink cabinet is raised above the kitchen floor and is higher than the connections on the dishwasher, make a hole in the base inside the cabinet and in the cabinet side (B).

NOTE

- If you are replacing an old dishwasher, check the existing connections for compatibility with the new dishwasher and replace the connections as needed.
- You may need to cut a hole in the opposite side of the cabinet according to the location of the electrical outlet.

Cabinet dimensions



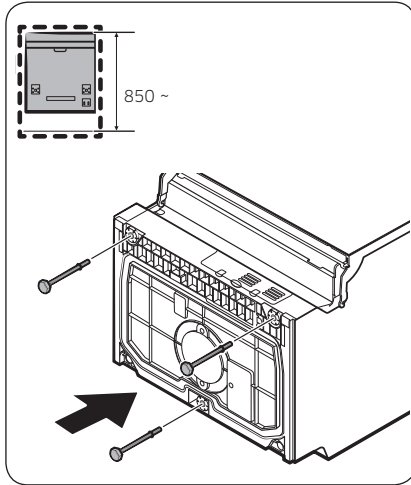
NOTE

Check if the distance between the floor and the bottom of the worktop is more than 850 mm. If so, insert the sub foot included in the installation kit. For details, see the next section. If the distance is less than 850 mm, skip to STEP 3.

Installation

STEP 2 To insert the sub foot (Except Free Standing model)

If the distance between the floor and the bottom of the worktop is more than 850 mm, insert the sub foot into the hole on the bottom of the dishwasher before you start the installation.



1. Lay the dishwasher on its back.

⚠ CAUTION

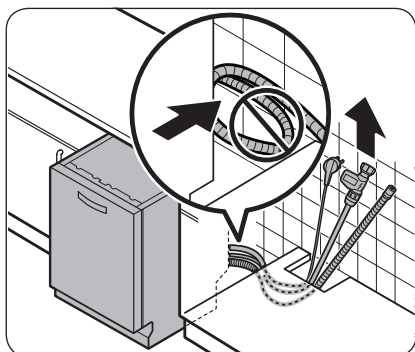
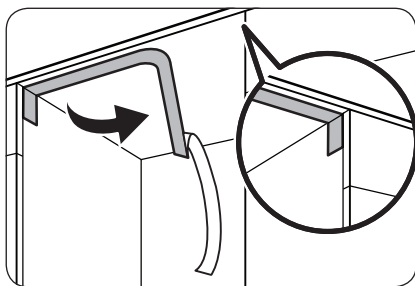
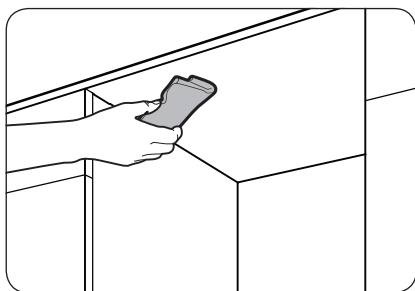
Do not lay down the dishwasher on its side. Water may leak.

2. Find the sub foot in the installation kit, and then insert the sub foot into the hole on the bottom of the dishwasher as shown in the figure.

STEP 3 Check the water line

- The water line pressure must be between 0.04 and 1.0 MPa.
- Make sure that the water temperature does not exceed 60 °C. Hot water over 60 °C may cause the dishwasher to malfunction.
- Make sure that the water supply valve is turned off before connecting the water supply line to the dishwasher.

STEP 4 Arrange the hoses



1. Clean the bottom of the countertop.

2. Attach the protective sticker as shown.

3. Pull the power plug, the water hose, and the drain hose through the sink hole.

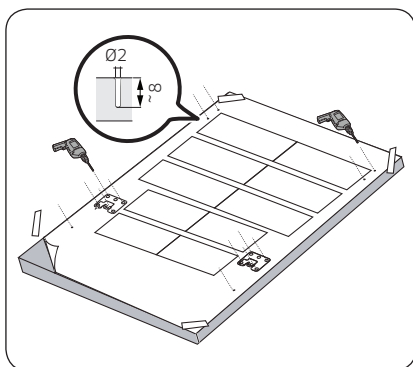
⚠ CAUTION

- Use caution not to kink or step on the power plug or the hoses.
- Do not remove the brown paper on the back of the dishwasher. The paper is used to keep the rear side clean against the wall.

Installation

STEP 5 Install the custom panel (For Fully Built-In models)

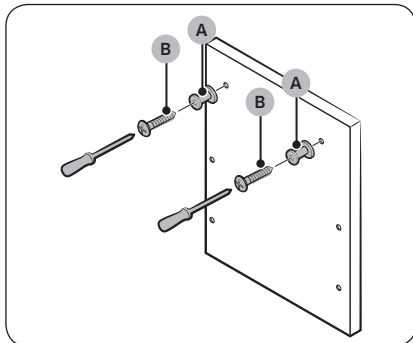
FBI (Fully Built-In, DW60A80**BB) models



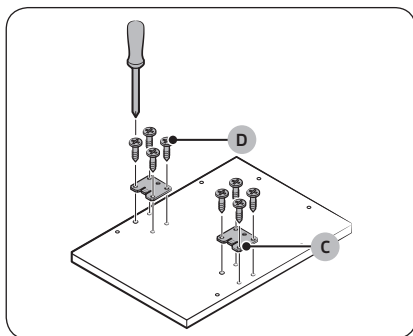
1. Put the installation template on the back of the custom panel and fix it temporarily using transparent tape. Note that the rear of the custom panel will be attached to the dishwasher door.

⚠ CAUTION

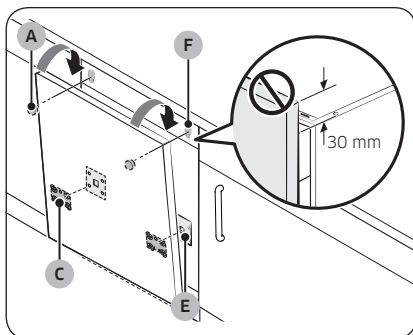
- The top end of the custom panel must be aligned with the top end of the installation template.
 - Use a custom panel between 3 kg and 7 kg.
 - Thickness of the custom panel is maximum 20 mm.
2. Mark 14 points guided on the installation template.



3. Remove the installation template, and then tighten the custom panel fixers (A) with 2 screws (B, $\text{Ø}3.5 \times 25$) as shown in the figure.



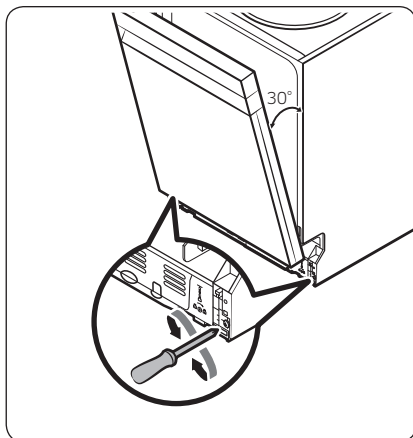
4. Tighten the door bracket (C) with 8 screws (D, Ø4 X 14) as shown in the figure.



5. Insert the door brackets (C) on the custom panel to the holes (E) on the dishwasher door to fix the custom panel.
6. While holding the custom panel, attach it to the door and insert the custom panel fixers (A) into the holes (F) as shown in the figure.
7. Push the custom panel downward to fix.

CAUTION

Do not let the custom panel extend more than 30 mm from the top of the dishwasher.

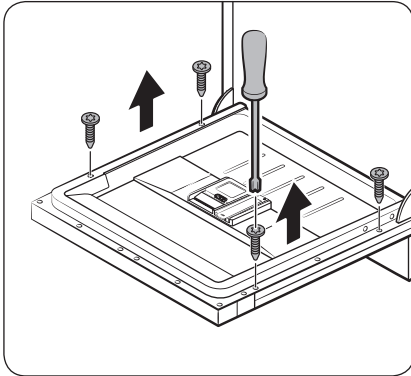


8. Adjust the spring level while the door is approximately opened at 30 degrees. The door should hold its position, and should not fall open.

CAUTION

- Do not adjust the spring level while the door is completely opened.
- If the custom panel weighs more than 7 kg, the door may fall open.
- Custom panels weighing more than 7 kg are not recommended.

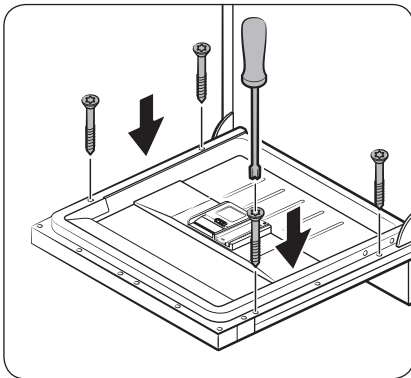
Installation



9. Open the dishwasher door and remove the 4 screws.

⚠ CAUTION

Use caution when opening the door. The door might open or close unexpectedly if the spring level is not adjusted appropriately, resulting in physical injury.

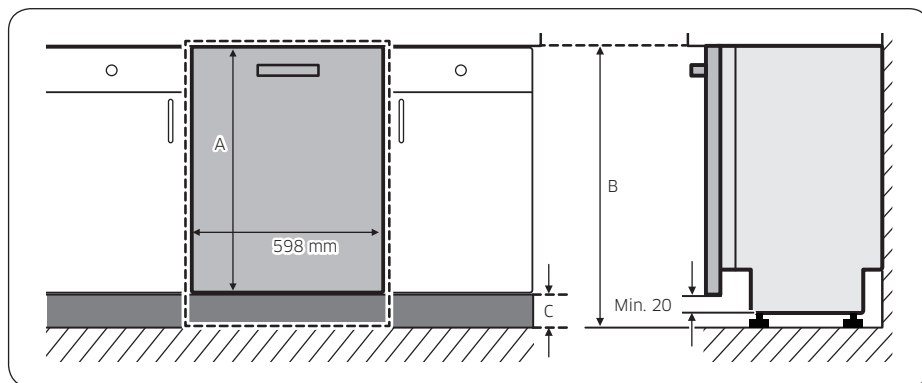


10. Secure the custom panel to the door by fastening the 4 screws (3.5 X 45).

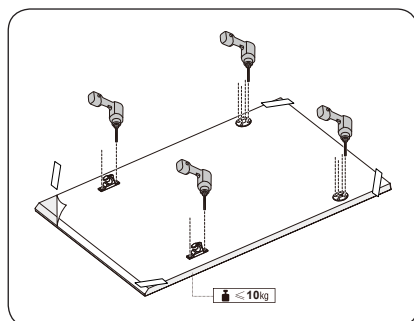


FBI (FBI Sliding, DW60A80**IB) models

This dishwasher model is equipped with an auto-balancing system in the door. It has a sliding hinge, which is perfect for plinth-less kitchens or for installation above a small cupboard. Custom panel's height (A) can be between minimum 670 mm to maximum 800 mm depending on the installation environment. Custom panel's weight must not exceed 10 kg. Refer to the table for the height (C) in relation to the cabinet's height (B), and then determine the height of the custom panel.



A	B	C
670-800 mm	820 mm	20-150 mm
	850 mm	50-180 mm
	880 mm	80-210 mm



1. Put the installation template on the back of the custom panel and fix it temporarily using transparent tape. Note that the rear of the custom panel will be attached to the dishwasher door.
2. Mark 4 points guided on the installation template.

NOTE

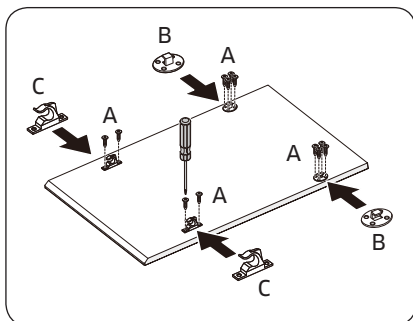
Custom panel's height can be between minimum 670 mm to 800 mm depending on the installation environment.

CAUTION

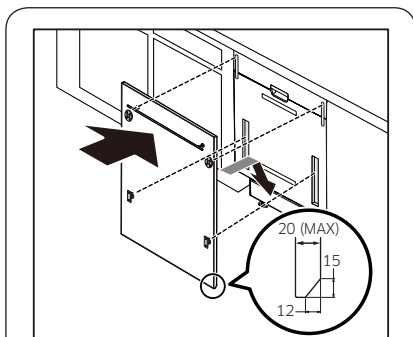
Custom panel's weight must not exceed 10 kg.



Installation



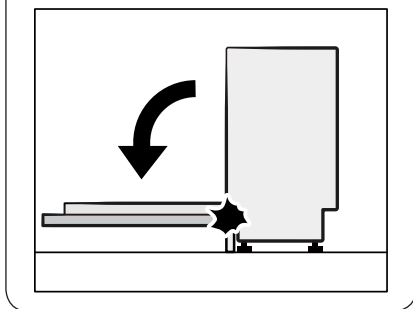
3. Remove the installation template, and then tighten the Custom panel fixers (B), (C) with 12 screws (A) as shown in the figure.



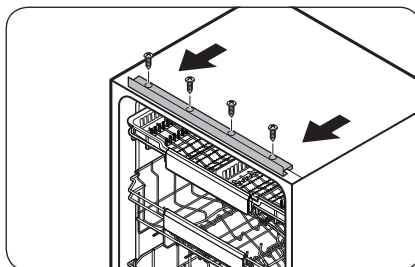
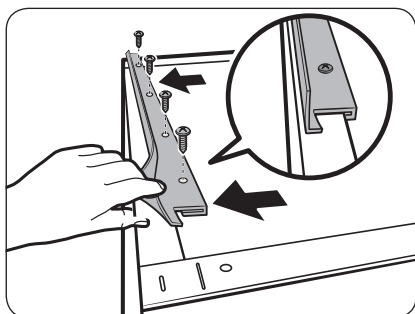
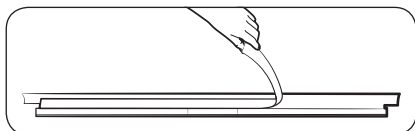
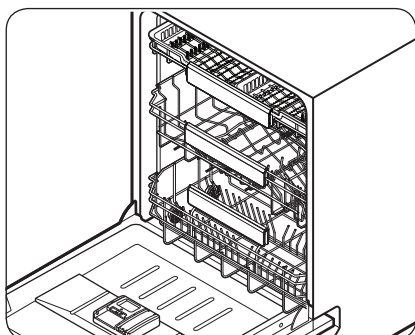
4. While holding the custom panel, attach it to the door and insert the Custom panel fixers into the corresponding holes at the door.

⚠ CAUTION

Use a custom panel between 4-10kg. Make sure the skirting board does not interfere with the dishwasher's door fully opening and closing.



STEP 6 Install the trim



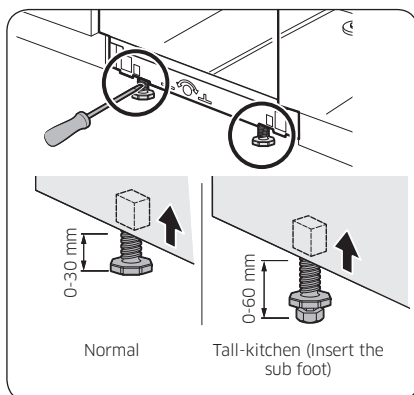
You can use the trim to reduce the noise level.

1. To install the upper side trim, remove the protective vinyl of double-side adhesive tape on the back of the trim.

2. Insert the Hook shape of the trim to the rear side of tub top bracket.
3. Fasten the provided screws to the four holes.

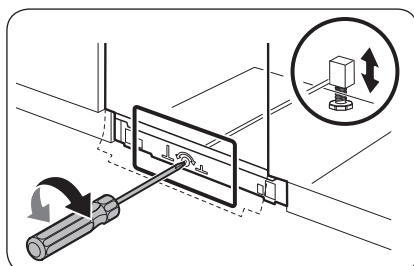
Installation

STEP 7 Level the dishwasher

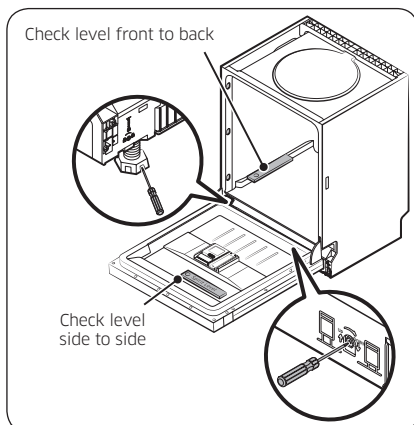


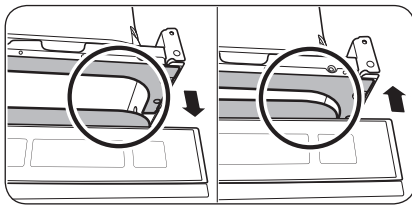
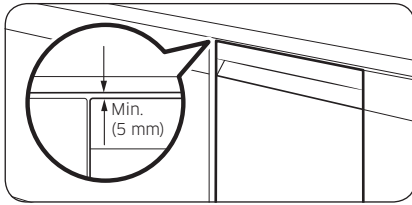
You can adjust the height of the dishwasher to level it. Note that in these steps, the dishwasher is currently inserted halfway.

1. Use the level to check if the dishwasher is level.
2. To adjust the front height, use a flat head(-) screwdriver.
 - To lower the height, turn the foot counterclockwise.
 - To raise the height, turn the foot clockwise.



3. To adjust the rear height, insert a cross head(+) screwdriver in the bottom centre of the dishwasher.
 - To lower the height, turn the screwdriver clockwise.
 - To raise the height, turn the screwdriver counterclockwise.
 - Place a spirit level on door and rack track inside the tub as shown to check that the dishwasher is level.





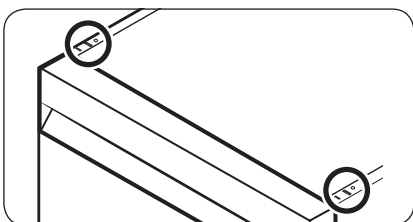
4. Leave at least a 5 mm space between the top of the dishwasher and the bottom of the countertop.
5. When levelling is complete, check if the door opens and closes properly.

Installation

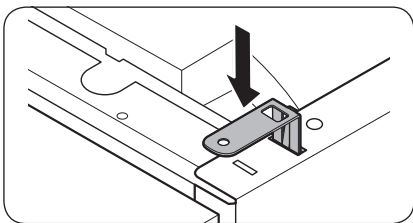
STEP 8 Secure the dishwasher

You can use the brackets to secure the dishwasher to the countertop. Alternatively, you can drill the side holes to secure the dishwasher to the cabinet sides.

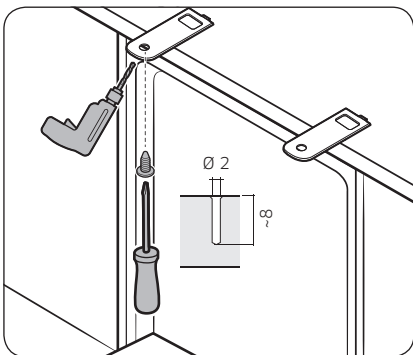
To the countertop using the brackets



1. Insert the provided brackets into the top front holes of the dishwasher as shown.



2. Insert the dishwasher fully into place under the countertop.



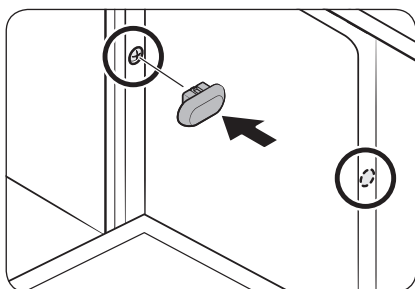
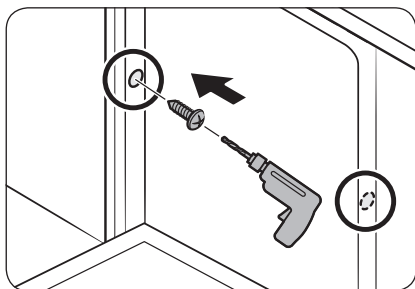
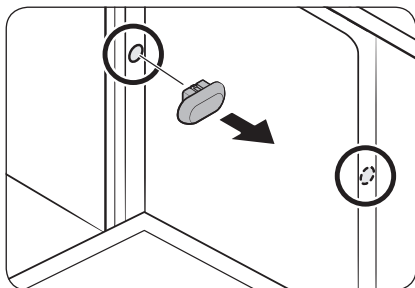
3. Tighten the 2 screws ($\varnothing 4 \times 14$) to fix the brackets.

NOTE

After fixing the dishwasher to the countertop, some screws remain. You can simply discard these screws, or use them to fix the sides of the dishwasher to the cabinet if you want to.

4. Connect the water hose, but do not open the water tap until installation is complete.

To the sides



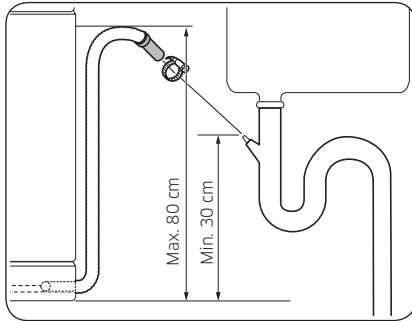
⚠ CAUTION

If the plastic caps are not assembled, water may leak and cause a fire or electric shock.

1. Remove the plastic caps.
2. Tighten the 2 screws ($\varnothing 3.5 \times 16$) to the 2 places (marked on the illustration).
3. Insert the provided plastic caps to the 2 places where screws are fastened.
4. Connect the water hose, but do not open the water tap until installation is complete.

Installation

STEP 9 Connect the drain hose



1. Connect the drain hose to the drain outlet.

⚠ CAUTION

- Install the drain system properly so that the drain hose does not come out of the drain outlet in the draining process.
- Make sure that the drain hose, supply hose, and power cord is not kinked or folded.

STEP 10 Final check

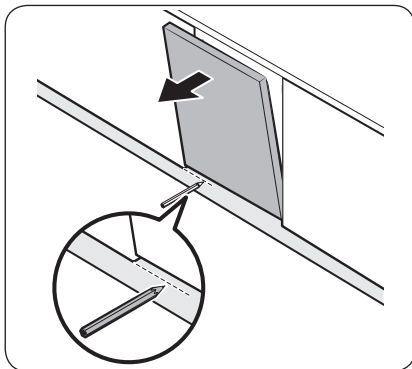
1. Remove all foam, paper packaging, and unnecessary parts from inside the dishwasher.
2. Turn the circuit breaker on.
3. Open the water supply valve to supply water to the dishwasher.
4. Plug in and turn the dishwasher on. Then, select and run the Quick cycle.
5. Check if the dishwasher turns on normally and if there are any water leaks while the dishwasher is operating. Make sure to check for water leaks on both ends of the water line and the drain hose connector.



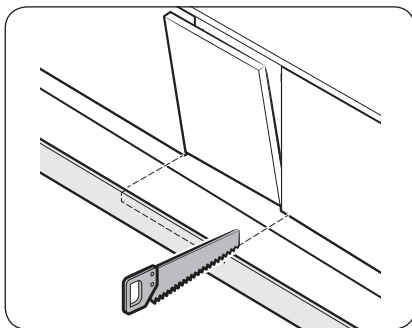
Skirting board

You can attach the skirting board according to the model or installation conditions.

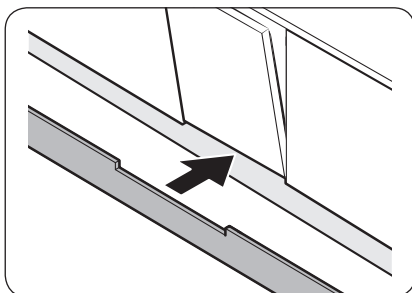
Skirting board



1. Put the skirting board on the bottom of the dishwasher.
2. Open the door of the dishwasher, and draw a baseline on the skirting board where it interferes with the door.



3. Follow the baseline and cut the skirting board using a saw.



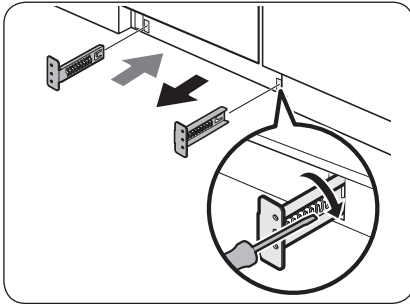
4. Attach the cut skirting board to the bottom of the dishwasher. Make sure the board does not interfere with the door of the dishwasher.



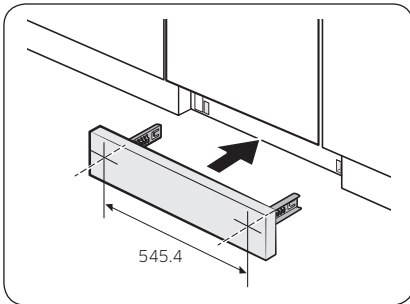
Installation

Pre-cut skirting board (DW60A80**U* Series)

Installation



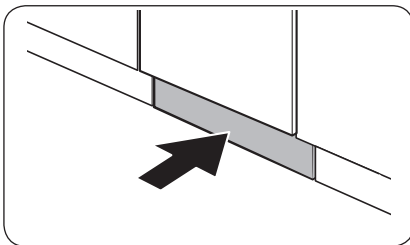
1. Insert the provided brackets to the bottom of the dishwasher. Turn them into position.
 - See the figure on the left for the correct attaching sequence and place of the brackets.



2. Insert the pre-cut skirting board into the brackets first, and then tighten the screws to fix the board. See the figure on the left and make sure the brackets are positioned in the correct place.

⚠ CAUTION

Make sure the skirting board does not interfere with the dishwasher's door opening and closing.

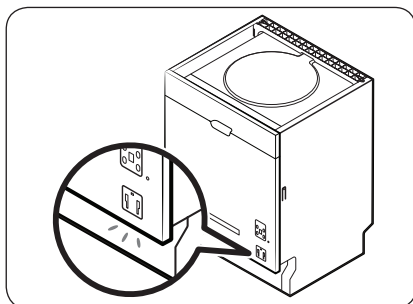


3. Push the skirting board with the brackets into the bottom of the dishwasher as shown.

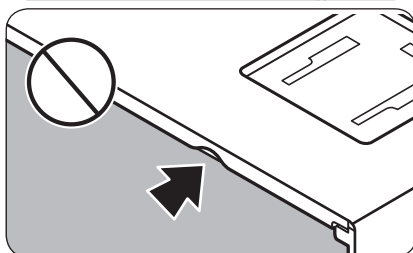
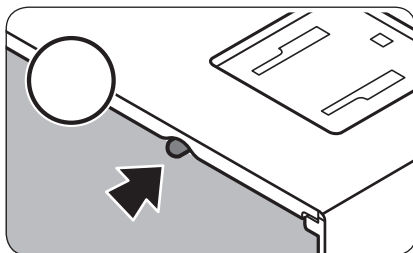
Info Light (DW60A80**BB, DW60A80**IB Series)

You can see the dishwasher's operating status by checking the info light.

Info Light



When the dishwasher has operated, the info light is on and shining toward the floor. This tells you the dishwasher's operating status.



NOTE

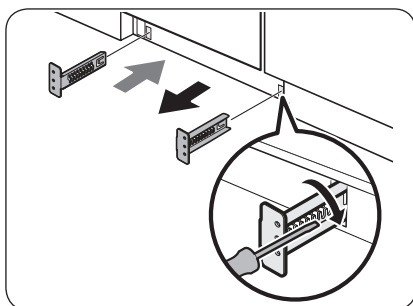
Check whether the info light is covered by the rubber skirt.

- The info light must be between the rubber skirt and outer door.
- If the rubber skirt is covering the info light, the info light will not be visible.

Installation

Kick plate (DW60A80**U* Series)

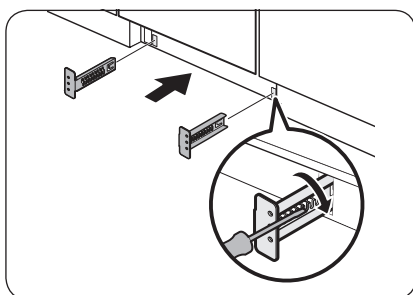
If you want to install the kick plate, follow these steps.



1. Insert the provided brackets to the bottom of the dishwasher. Turn them into position.
 - See the figure on the left for the correct attaching sequence and place of the brackets.
2. Insert the kick plate into the brackets first, and then tighten the 4 kick plate bolts and nuts to fix the kick plate.

NOTE

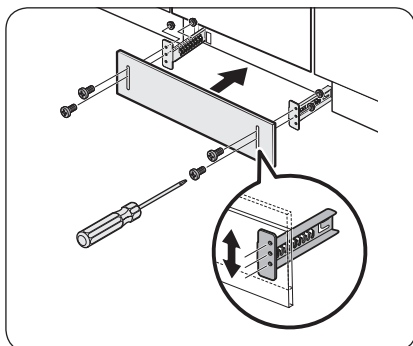
If the dishwasher is raised by levelling the foot, move kick plate down so that the kick plate fits in bottom.



3. Push the kick plate with the brackets into the bottom of the dishwasher as shown.

CAUTION

Make sure the kick plate does not interfere with the dishwasher's door opening and closing.



SmartThings (Applicable models only)

Wi-Fi connection

On your smartphone, go to Settings and connect to your home Wi-Fi network.

Download

On an app market (Google Play Store, Apple App Store, Samsung Galaxy Apps), find the SmartThings app with a search term of "SmartThings". Download and install the app on your device.

Log in

You must first log into SmartThings with your Samsung account. To create a new Samsung account, follow the instructions on the app. You don't need a separate app to create your account.

NOTE

If you have a Samsung account, use the account to log in. A registered Samsung smartphone user automatically logs in.

Wi-Fi Off

To manually turn the Wi-Fi off, press and hold 'Speed boosting button' and 'Smart control button' for 3 seconds at same time.

To register your device to SmartThings

1. Make sure your smartphone is connected to a wireless network.
2. Select to run **SmartThings** on your smartphone.
3. When a message of "A new device is found.", select **Add**.
4. If no message appears, select + and select your dishwasher in a list of devices available. If your dishwasher is not listed, select **Device Type > Specific Device Model**, and then add your dishwasher manually.
5. Follow the onscreen instructions to complete the connection process for your dishwasher.
6. When the process is complete, your dishwasher will appear in the list of devices on your SmartThings App.
7. For iPhone users to access the SmartThings app, they need to scan the QR code or enter the serial number provided below the QR code.



Installation

Dishwasher app

Integrated control: You can monitor and control your dishwasher both at home and on the go.

- Select the dishwasher icon on SmartThings. The dishwasher page appears.
- Check the operation status or notifications related to your dishwasher, and change options or settings if necessary.

NOTE

- This device is designed for household use only (Class B), and can be used in all residential areas.
- This device may cause wireless interference, and neither the manufacturer or the installer of this device can provide a safety measure of any kind.
- Recommended encryption methods are WPA/TKIP and WPA2/AES. Newly developed Wi-Fi protocols or unapproved Wi-Fi protocols are not supported.
- The reception sensitivity of a wireless network may be affected by surrounding wireless environments.
- If your Internet provider has registered the MAC address of your PC or the modem module for permanent use, your Samsung dishwasher fails to connect to the Internet. If this is the case, contact your Internet provider.
- The Internet firewall may interrupt your Internet connection. If this happens, contact your Internet provider.
- If Internet failure continues after following the measurement of your Internet provider, contact a local Samsung retailer or service centre.
- For installing wired and wireless routers, refer to the user manual of the router you use.
- Samsung dishwasher supports the Wi-Fi 2.4 GHz protocols.
- Samsung dishwasher supports the IEEE802.11 b/g/n (2.4 GHz), Soft-AP protocols. (IEEE802.11n is recommended)
- An unapproved wired/wireless router may fail to connect to Samsung dishwasher.
- The SmartThings app is available on third-party devices with Android OS 6.0 (Marshmallow) or higher, Samsung devices with Android OS 5.0 (Lollipop) or higher, and iOS devices with iOS 10.0 or higher (For iPhones, it must be iPhone 6 or higher). The app is optimised for Samsung smartphones (Galaxy S and Note series).
- Some functions of the app may operate differently on third-party devices.
- The app is subject to change without notice for improved performance.
- In addition, further updates on the app or the function in the app may stop due to usability and security reasons, even if updates are currently supported on your OS.
- Your device uses non-harmonised frequency and is intended for use in all European countries. The WLAN can be operated in the EU without restriction indoors, but cannot be operated outdoors in France.
- You can easily install the SmartThings app or use the product with your smartphone by scanning the QR code on the attached label.



- Hereby, Samsung Electronics, declares that the radio equipment type appliance is in compliance with Directive 2014/53/EU. The full text of the EU declaration of conformity is available at the following internet address: The official Declaration of conformity may be found at <http://www.samsung.com>, go to Support > Search Product Support and enter the model name.
- The overall standby power consumption is 2.0 W in which all network ports stay in “on” condition.
 - Data determined according to standard EN 50564 and Regulation (EC) No 1275/2008

Wi-Fi	
Frequency range	Transmitter power (Max)
2412 MHz - 2472 MHz	20 dBm

SmartThings

Category	Checkpoint	Description
Monitoring	Washing status	You can check the current cycle and its options, and the remaining cycle time.
	Smart Control	The Smart Control status is shown for the dishwasher.
	Energy monitoring	Use this to monitor the energy consumption status.
Control	Start/Pause/Cancel	Select a cycle and necessary options, and then select Start/Pause/ Cancel to start an operation, to stop temporarily, or to cancel the current operation.
	My Favorite	Add frequently used cycles and options to My Favorite for later use.
	Delay Start	Set Delay Start to start the cycle at a scheduled time (up to 24 hours).
Notification	Cycle completed	Notifies you the current cycle is complete.
	Detergent	Notifies you if the dishwasher is out of salt or rinse aid.

Installation

WSN

1. How to access: press and hold the Start button in AP mode. (To enter the AP mode, press and hold the Smart Control button for 3 seconds.)
2. Display format
 - After receiving WSN data from WiFi module, "-" + first 2 digits are displayed and next 3 digits are displayed by every "start" button pressing.
 - Beep is generated when the "start" button is pressed for displaying digits.
 - Display example : "-" for the starting display
ex) WSN : "01234567897835"



18:01 - 12:34 - 5:67 - 8:97 - 8:35

Open Source Announcement

The software included in this product contains open source software.

The following URL http://opensource.samsung.com/opensource/SMART_TP2_0/seq/0 leads to open source license information as related to this product.



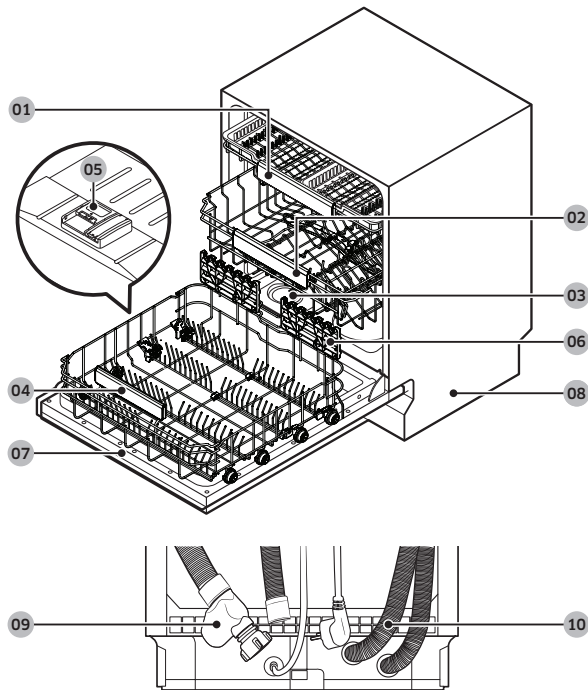
Before you start

Follow these instructions carefully to ensure proper installation of the dishwasher and to prevent accidents when washing dishes.

Dishwasher at a glance

DW60A807*/DW60A806*/DW60A805* models

Before you start



01 Cutlery rack

02 Upper rack

03 Salt storage

04 Lower rack

05 Dispenser

06 Glass support

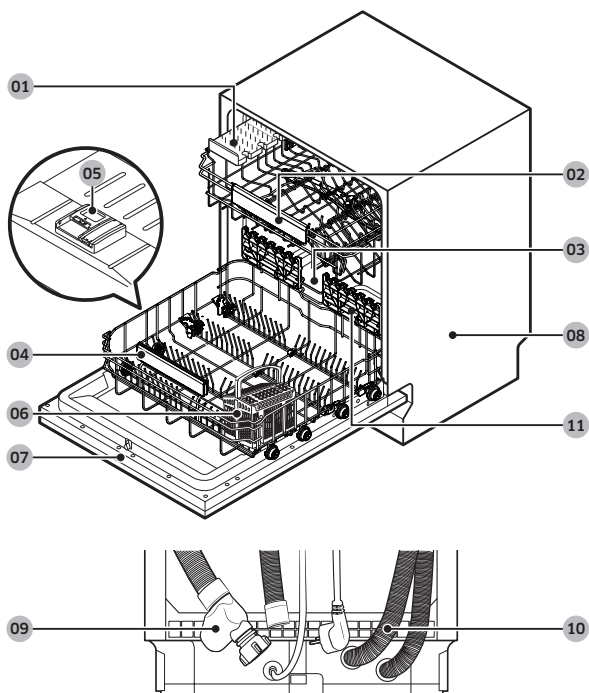
07 Door

08 Base

09 Inlet hose

10 Drain hose

DW60A804* models



Before you start

01 Knife rack

04 Lower rack

07 Door

10 Drain hose

02 Upper rack

05 Dispenser

08 Base

11 Glass support

03 Salt storage

06 Cutlery basket

09 Inlet hose

Before you start

CAUTION

- Do not wash items that are covered with ash, sand, wax, lubricating grease, or paint. These materials will damage the dishwasher. Ash does not dissolve and will spread inside the dishwasher.
- Remove food remains such as bones, fruit seeds, etc. and waste such as toothpicks, paper napkins, etc. from your dishes. Food remains and waste can make noise, cause the dishwasher to malfunction, and damage your dishes and dishwasher.

Unsuitable items for the dishwasher

WARNING

Wash only items such as glass, porcelain, and cutlery which the manufacturer declares as dishwasher safe. Do not wash aluminium (e.g. grease filters). The dishwasher may damage aluminium, or in extreme cases, cause a severe chemical reaction.

Do not wash the following items in the dishwasher.

- Copper, brass, tin, ivory, and aluminium items or items with adhesive
- Non-heat resistant plastics
- Craft items, antiques, valuable vases, and decorative glassware
- Pottery or glazed-ceramic items
- Wooden cutlery and crockery or items with wooden parts
- Delicate glassware or glassware containing lead crystal. Clouding may occur on the glassware after frequent washing.

NOTE

Silverware that has contacted foods containing sulphur may become discoloured. Food with sulphuric content include egg yolks, onions, mayonnaise, mustard, fish, fish brine, and marinades.

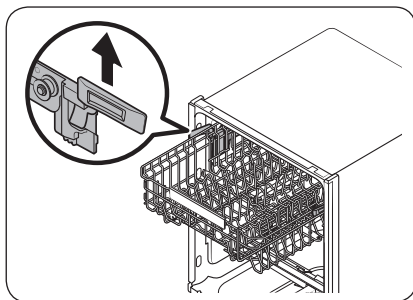
Basic use of racks

Height adjustment

You can adjust the height of the upper rack so that the lower rack can accommodate larger sized dishes. Depending on the height of the upper rack, the lower rack can accommodate plates up to 30 cm in diameter, and the upper rack can accommodate plates up to 18 cm (with Cutlery rack) or 25 cm (without Cutlery rack) in diameter.

⚠ CAUTION

- Adjust the height of the upper rack before loading dishes into the rack. Adjusting the rack after loading the dishes may damage the dishes.
- Make sure to hold both handles when adjusting, or the dishwasher door may not close properly.



- To raise the upper rack, pull the upper rack upwards. The adjustable handle will latch, and the upper rack will raise.
- To lower the upper rack, hold both the adjustable handles located at the left and right sides of the upper rack, and then evenly press down.

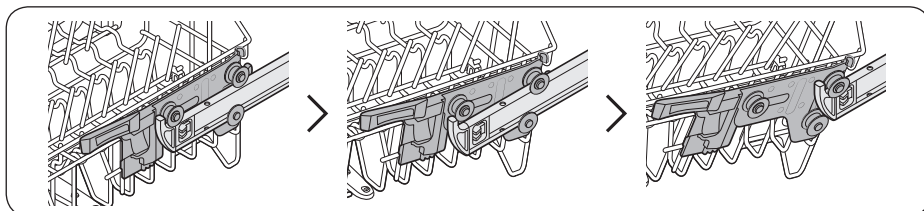
Before you start

Upper rack removal

⚠ CAUTION

- Do not operate the dishwasher without the upper rack. Otherwise, noises occur and the dishwasher does not operate properly.
- Because the upper rack is removable, insert the upper rack properly to ensure the dishwasher operates normally.

Pull the upper rack to the front until it is fully extended, and then lift it slightly to remove. See the following figures.



Before you start

Loading dishes

Lower rack

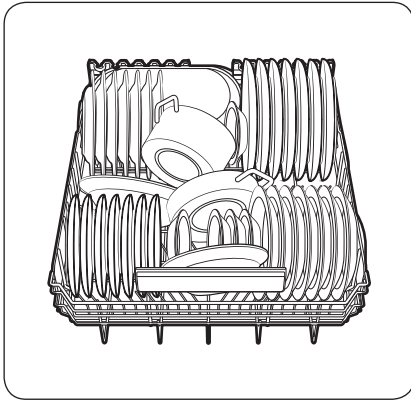
We recommend that you place large items, that are difficult to clean (such as pots, pans, lids, serving dishes and bowls), in to the lower rack.

It is preferable to place serving dishes and lids on the side of the racks in order to avoid blocking the rotation of the upper nozzle. Pots, serving bowls, etc. must always be placed top down.

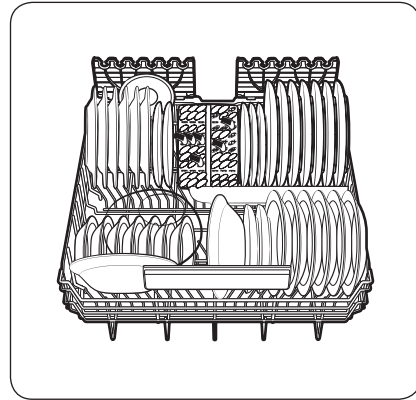
Deep pots should be slanted to allow water to flow out.

The lower rack features folding tines to easily load larger pots and pans.

Before you start



DW60A807*/DW60A806*/DW60A805*
models



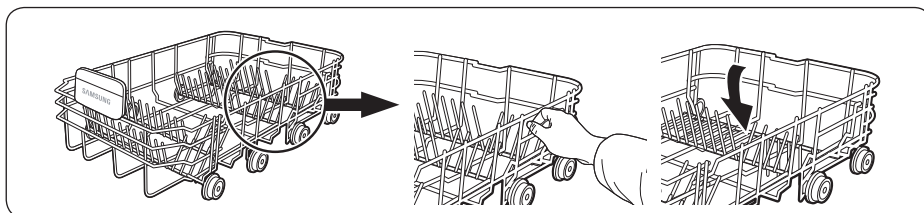
DW60A804* models

NOTE

Long items, serving cutlery, salad servers and big knives should be placed on the shelf so that they do not obstruct the rotation of the nozzles.

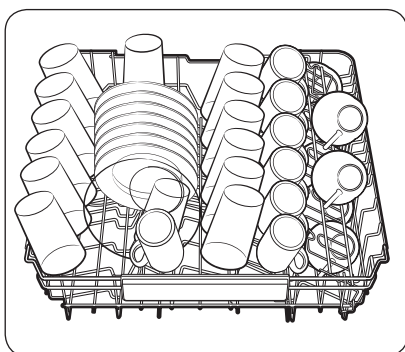
Using the folding tines

For better stacking of pots and pans, the tines can be folded down as show in the figure.

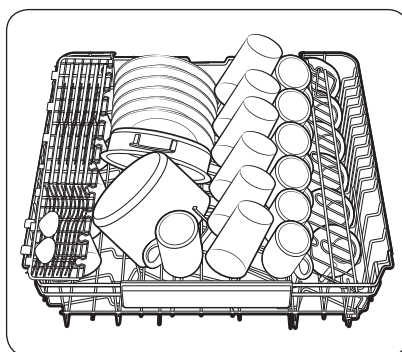


Upper rack

The upper rack is designed to hold more delicate and lighter dishware such as glasses, coffee and tea cups and saucers, as well as plates, small bowls and shallow pans (as long as they are not too dirty). Position the dishes and cookware so that they will not get moved by the spray of water. Always place glasses, cups & bowls upside down.



DW60A807*/DW60A806*/DW60A805* models

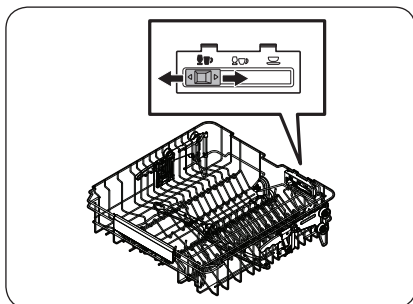


DW60A804* models

Before you start

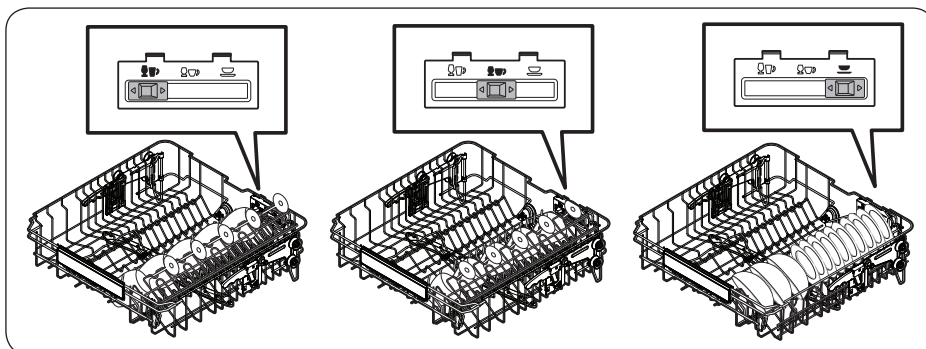
Before you start

Guide Tines

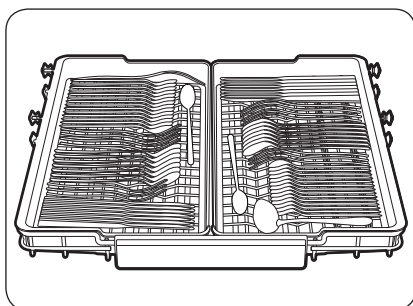


Upper rack

You can load dishes into the central rack in various ways by changing the guide tines. If the guide button is moved to the left, you can load standard wine glasses. If the guide button is in the middle, you can load shorter wine or brandy glasses. If the guide button is on the right, you can load bowls and plates.



Cutlery rack (DW60A807*/DW60A806*/DW60A805* models)



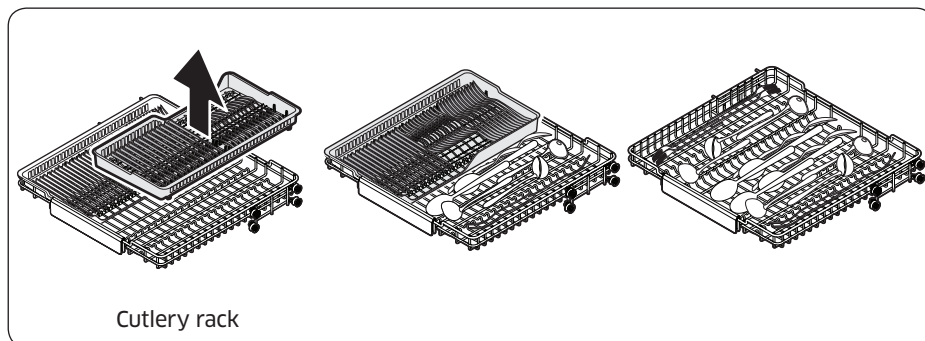
The cutlery rack is best for flatware and cooking or serving utensils. Use the cutlery rack to organize flatware or utensils.

NOTE

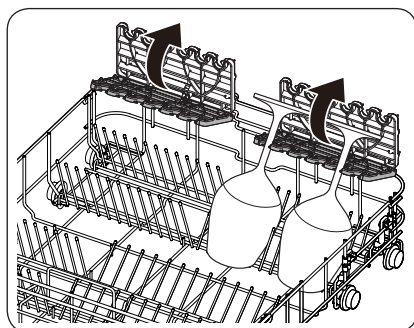
The cutlery rack can be removed if you need more space on the upper rack to clean larger items.

3rd Rack Tray

You can easily unload cutlery from a removable tray in the upper rack. You can also remove the left or right tray to load relatively larger utensils. Both trays are removable.



Using the glass support



The glass support is especially suited for wine glasses. Hang wine glasses onto the pegs of the glass support. Fold the glass support back when it is not being used.

Before you start

Before you start

Detergent compartment

All dishwasher cycles require detergent in the detergent compartment. Apply detergent as recommended for the selected cycle to ensure best performance.

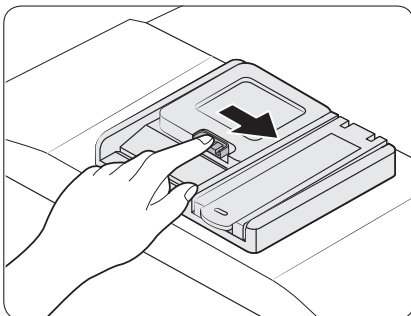
⚠ WARNING

- Do not place dishwasher detergent in your mouth. Avoid breathing in detergent fumes. Dishwasher detergent contains irritants and caustic chemicals that can induce respiratory conditions. If you have consumed dishwasher detergent or inhaled detergent fumes, seek medical attention immediately.
- Keep dishwasher detergent out of children's reach.

⚠ CAUTION

Use dishwasher detergent only. Other types of detergent produce excessive foam, which may decrease the dishwasher's performance or cause it to malfunction.

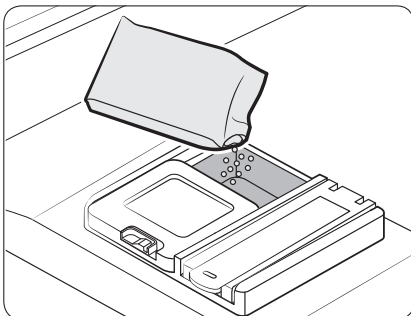
Filling the detergent



1. Open the detergent dispenser cap by pushing the detergent dispenser catch to the right.

📖 NOTE

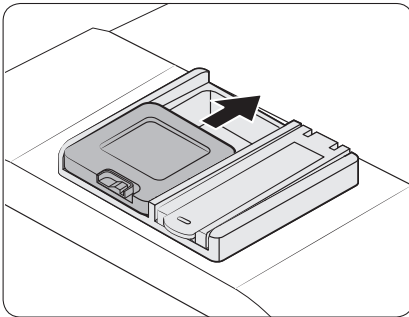
The cap remains open at the end of a cycle.



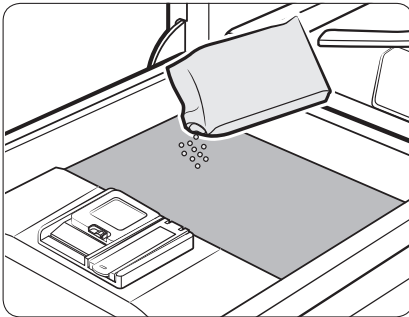
2. Add the recommended amount of detergent to the main wash detergent compartment.

📖 NOTE

There is no separate button that is specific to using tablet detergents.



3. Close the lid by sliding it up.



4. If the items are heavily soiled, pour a small amount of detergent onto the door for better cleaning results.

 **NOTE**

The additional detergent will activate during the pre-wash process.

The cover opens automatically to dispense the detergent during the wash.

Before you start

Before you start

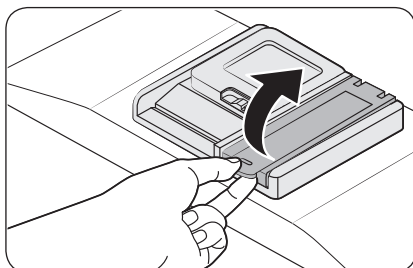
Rinse aid reservoir

Rinse aid improves the drying performance of the dishwasher. When the Rinse Refill indicator lights up on the control panel, refill with rinse aid. Only use liquid rinse aid. Powdered rinse aid will clog the reservoir opening and cause the dishwasher to malfunction.

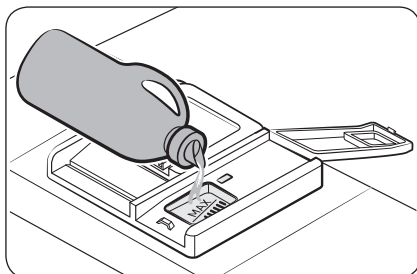
⚠ CAUTION

- Do not apply any type of detergent to the rinse aid reservoir.
- Do not excessively fill the reservoir. Excessive rinse aid may overflow during a cycle.

Filling the rinse aid



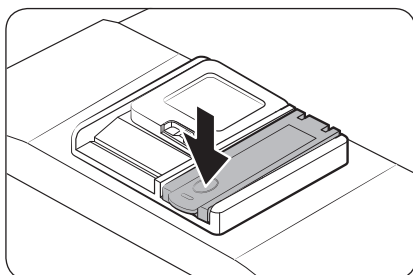
1. Open the rinse aid reservoir cap.



2. Fill the rinse aid reservoir with rinse aid.

⚠ CAUTION

Do not fill the reservoir above the full level indicator. Excess rinse aid can overflow during the wash cycle.



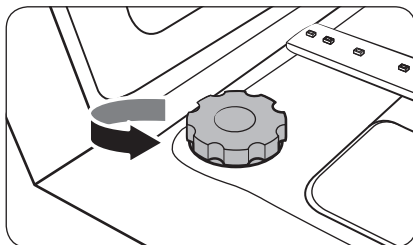
3. Close the rinse aid reservoir cap.

Salt storage

⚠ CAUTION

- Use dishwasher-specific salt only. Do not use any other type of salt or solvent. This may damage the salt storage and the water softening system.
- To prevent corrosion due to an excessive amount of salt or salty water, always fill the salt storage before a washing cycle gets started.

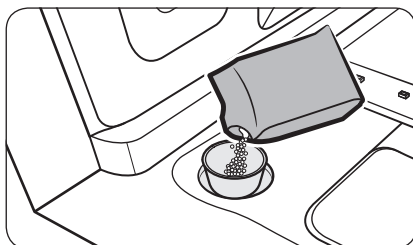
Filling the salt storage



1. Open the door.
2. Turn the cap counterclockwise to open.

📖 NOTE

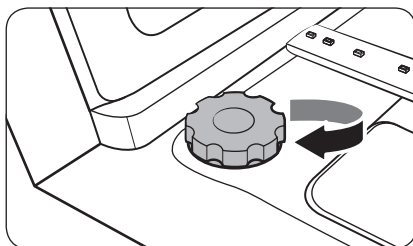
When you open the softener lid, clean water stored for about one minute may run out. Add salt to stop the water from leaking out.



3. Fill the salt storage with water (only required when using the dishwasher for the first time).
4. Apply dishwasher salt.

⚠ CAUTION

- The maximum capacity is about 1 kg. Do not exceed the capacity.
- Exceeding the capacity may affect the dishwasher performance.



5. Turn the cap clockwise to close.

📖 NOTE

- To clean salt or salt water from dishwasher, run the Quick cycle.
- Depending on the size of the salt grains, it may take a while for the salt to dissolve and the indicator (S) to turn off.

Before you start

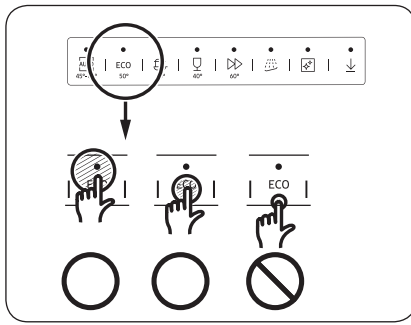
Before you start

Salt indicator

The indicator (S) turns on if there is not enough salt for the next several cycles.

Touchpad responsiveness

To prevent the touch-enabled controls from losing responsiveness, follow these instructions.



- Touch the centre of each button with one finger.
- Do not touch more than one button at a time, except as directed.
- Clean the surface of the control panel regularly with a soft, damp cloth.



Setting mode

You can change the sound, auto door open function, rinse aid level, and water hardness settings to your preference.

Entering the Setting mode

1. Turn the dishwasher on.
2. Press and hold the **AUTO** cycle button for five seconds within 60 seconds from turning on the dishwasher.
 - When you entered the Setting mode, the display will show "0:00".

Sound setting

You can turn the sound on or off.

1. Press the **Lower rack only** button to select the sound setting menu.
 - The display shows the current setting. (Default setting: "U1")
2. Press the **AUTO** cycle button to change the setting.
 - U0: Sound off
 - U1: Sound on
3. Wait 5 seconds to save the setting.

Auto door open function setting

You can set the dishwasher to automatically open the door after each cycle for better drying results.

1. Press the **Speed Booster** button to select the auto door open function setting menu.
 - The display shows the current setting. (Default setting: "A1")
2. Press the **AUTO** cycle button to change the setting.
 - A0: Function disabled
 - A1: Function enabled
3. Wait 5 seconds to save the setting.

Before you start





Before you start

Rinse aid level setting

You can change the amount of rinse aid applied during a cycle.

1. To select the rinse aid level setting menu. Select the **"AUTO"** key for 5 seconds, after the beep followed by the reset of the "0:00" display, press the **"Sanitize"** key.
 - The display shows the current setting. (Default setting: "F4")
2. Press the **AUTO** cycle button to change the setting.
 - You can select from F1 - F5 (minimum - maximum).
3. Wait 5 seconds to save the setting.

Water hardness level setting

You can change the water hardness level according to water hardness in your local area. Changing this setting will have effect on the salt consumption in the dishwasher's salt storage.

1. To select the water hardness level setting menu. Select the **"AUTO"** button for 5 seconds, after the beep followed by the display reset: "0:00", press the **"Delay Start"** button.
 - The display shows the current setting. (Default setting: "H3")
2. Press the **AUTO** cycle button to change the setting.
 - You can select from H1 - H6 (soft - hard).
3. Wait 5 seconds to save the setting.

NOTE

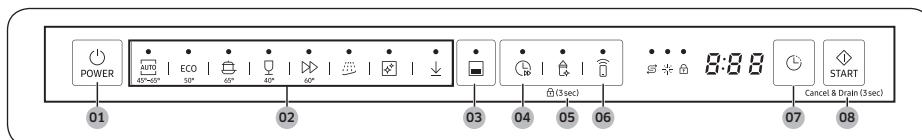
- Change the setting according to the table in the **"Adjusting salt consumption"** section on page 62.
- Default Setting: H3
- The dishwasher regenerates the water softener once every 3-4 cycles depending on the setting. However, the dishwasher will regenerate the water softener on the first cycle after you change the setting.
- Regeneration will be operated in dry phase with an additional 2.0-2.5 l of water being used and 4-10 minutes taken for the cycle.
- The energy used may be increased however this should be by an insignificant amount.



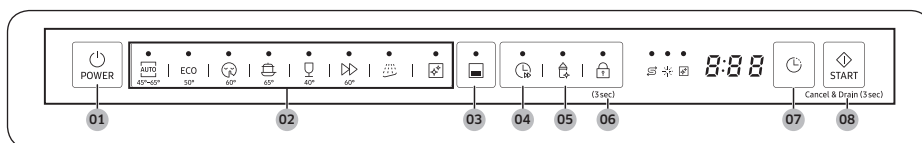
Operations

Control panel

DW60A807*/DW60A806*/DW60A805* models



DW60A804* models

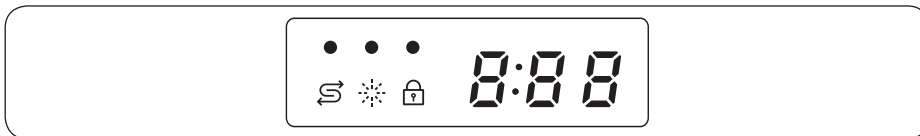


01 POWER	Press to turn the dishwasher on or off.
02 Cycle	Press to select a desired wash cycle. For more information, see the “ Cycle overview ” section on page 59.
03 Lower rack only	Press to wash items using only the lower rack.
04 Speed Booster	Select this option to reduce the cycle time. This is available only with the AUTO, ECO, and Delicate cycles.
05 Sanitize	Press to increase the water temperature up to 70 °C in the final rinse process for high temperature sanitization. This option is not available with Delicate and Pre Wash. To activate Control Lock, press and hold Sanitize for 3 seconds. (DW60A807*/DW60A806*/DW60A805* models)
06 Smart Control (DW60A807*/ DW60A806*/ DW60A805* models) Control Lock (DW60A804* models)	You can check product operation remotely by using Smart Control. Control lock allows you to lock the buttons on the control panel except for the POWER button. For more information, see the “ Control Lock ” section on page 64.
07 Delay Start	You can delay the cycle starting time up to 24 hours. For more information, see the “ Delay Start ” section on page 64.
08 START (Cancel & Drain)	Press START to start operation. Make sure the door is closed. Cancel & Drain: To cancel the current cycle and drain the dishwasher, press and hold START for 3 seconds.

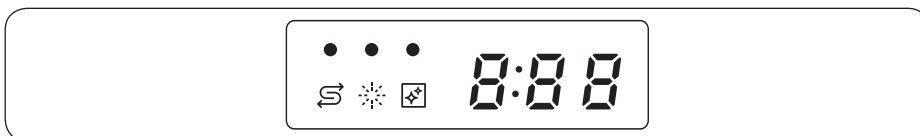
Operations

Indicators

DW60A807*/DW60A806*/DW60A805* models



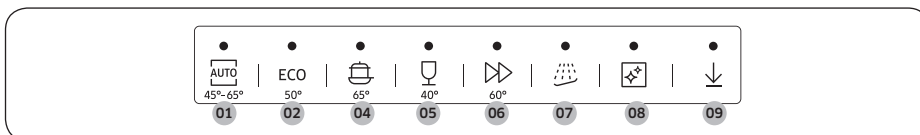
DW60A804* models



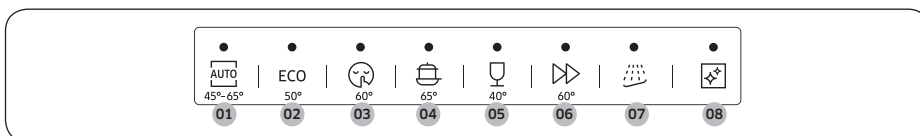
No Salt indicator		Lights up when the salt storage runs out of salt.
Rinse Refill indicator		Lights up when the dishwasher runs out of rinse aid.
Control Lock indicator (DW60A807*/ DW60A806*/ DW60A805* models)		Lights up if Control Lock is activated.
Self Clean indicator (DW60A804* models)		Lights up if Self Clean is activated.

Cycle overview

DW60A807*/DW60A806*/DW60A805* models



DW60A804* models



01 AUTO	This cycle detects the level of soil and automatically initiates the optimal cycle, which is appropriate for all levels of soiled items.
02 ECO	This cycle reduces power and water consumption, which is appropriate for normally soiled items.
03 Extra Silence (DW60A804* models)	Select this cycle for more smooth and quiet washing. This cycle washes a little bit slower, but creates 2 decibels less noise than the ECO program.
04 Intensive	Select this cycle for heavily soiled items.
05 Delicate	Select this cycle for lightly soiled, fragile items such as glasses. Sanitize option is not available in this cycle.
06 Express 60	Normally soiled daily using items, with short cycle time.
07 Pre Wash	Cold water rinse for removing dirt before running another program.
08 Self Clean	Select this cycle to clean the inside of the dishwasher. Make sure the dishwasher is empty. This cycle requires detergent for proper operation.
09 Download Course (DW60A807*/ DW60A806*/ DW60A805* models)	Based on the Extra Silence course, you can download the following additional courses: <ul style="list-style-type: none"> • Extra Silence, Baby Care, Plastic, and Pots and Pans courses

Operations

Download Course (DW60A807*/DW60A806*/DW60A805* models)

You can download and use courses other than those provided by default through your smartphone.

1. Press the **POWER** button.
2. Select **Download Course**.
3. Select the downloadable course you want to use in your smartphone app. Extra Silence, Pots and Pans, Plastic, and Baby Care courses are available.
 - The default download course is the Extra Silence course.
 - When you download via the smartphone app, you can keep using your saved courses.
4. Press the **START** button and close the dishwasher door.

Extra Silence	This course is used to quietly clean dishes after a typical meal. It is longer but quieter than a standard course.
Pots and Pans	Choose to wash pots and pans. This course uses hotter water and higher pressure than a standard course for focused cleaning of pot and pans.
Plastic	This course is used when washing plastic dishes. It washes plastic at a safer temperature (60 °C) and dries them better.
Baby Care	Suitable for rinsing/drying dishes at a high temperature of 70 °C. Do not add detergent or rinse.

Simple steps to start

1. Open the door, and then load the dishwasher. Make sure to remove food remains and waste on the dishes.
2. Apply detergent to the detergent dispenser. For better results, add rinse aids.
3. Press **POWER**, and then select a cycle with necessary options (**Lower rack only**, **Speed Booster**, **Sanitize**, and **Delay Start**). Some options may not be available depends on the cycle.

 **NOTE**

If you select **Lower rack only**, make sure the dishes are loaded in the lower rack.

4. Press **START**, and then close the door. The dishwasher starts the cycle after draining for a few seconds.

 **NOTE**

- To change the cycle after it has started, press and hold **START** for 3 seconds to cancel the cycle. Then, select a new cycle.
- The default cycle is ECO.
- To resume after you have opened the door to stop the dishwasher while operating, simply close the door.

Operations

Salt storage

The water softener is designed to remove minerals and salts from the water, which would have a detrimental or adverse effect on the operation of the appliance. The higher the content of these minerals and salts, the harder your water is. The softener should be adjusted according to the hardness of the water in your area.

Your local Water Authority can advise you on the hardness of the water in your area.

Adjusting salt consumption

The dishwasher is designed to allow for adjusting the amount of salt consumed based on the hardness of the water used. This is intended to optimise and customise the level of salt consumption so that the salt consumption could be set proceed as follows:

1. Turn the dishwasher on.
2. Press and hold the **AUTO** cycle button for five seconds within 60 seconds from turning on the dishwasher.
 - When you entered the Setting mode, the display will show "0:00".
3. Press the **Delay Start** button to select the water hardness level setting menu.
 - The display shows the current setting. (Default setting: "H3")
4. Press the **AUTO** cycle button to change the setting.
 - You can select from H1 - H6 (soft - hard).
5. Wait 5 seconds to save the setting.

NOTE

- It is recommended that adjustments should be made in accordance with the following (or Manual) table.
- Default Setting: H3

Water hardness				Water hardness setting	Salt consumption (gram/cycle)	Autonomy (cycles/1 kgs)
°dH	°fH	°Clark	mmol/l			
0-5	0-9	0-6	0-0.94	H1	0	/
6-11	10-20	7-14	1.0-2.0	H2	20	60
12-17	21-30	15-21	2.1-3.0	H3	30	50
18-22	31-40	22-28	3.1-4.0	H4	40	40
23-34	41-60	29-42	4.1-6.0	H5	50	30
35-55	61-98	43-69	6.1-9.8	H6	60	20

 **NOTE**

- 1 dH (German degree) = 0.178 mmol/l
- 1 Clark (British degree) = 0.143 mmol/l
- 1 fH (French degree) = 0.1 mmol/l
- Contact your local water board for information on the hardness of your water supply.

WATER SOFTENER

The hardness of the water varies from place to place. If hard water is used in the dishwasher, deposits may form on dishes and utensils. The appliance is equipped with a special softener that uses a salt specifically designed to eliminate lime and minerals from the water.



Operations

Delay Start

You can delay the cycle starting time up to 24 hours in 1-hour increments. To increase the delay time, press **Delay Start**. The hour displayed indicates the time at which the cycle will start.

1. Open the door, and then load the dishwasher.
2. Press **Delay Start** to change the time in 1-hour increments.
 - If you press and hold the button, the time will increase until you release the button.
3. Press **START**, and then close the door.

NOTE

To change the delay time once the dishwasher has started, press **POWER** and restart the dishwasher.

Control Lock

To prevent children from playing with the dishwasher, Control Lock locks all button controls except for **POWER**.

- To activate Control Lock, press and hold **Control Lock** for 3 seconds. With Control Lock activated, you cannot select a cycle or option, or start an operation.
- To deactivate Control Lock, press and hold **Control Lock** again for 3 seconds.
- Control Lock remains active after the dishwasher restarts. To cancel Control Lock, you must deactivate it first.



Maintenance

Cleaning

Keep the dishwasher clean to improve performance, reduce unnecessary repairs, and lengthen the lifecycle.

Exterior

Clean spills on the surface of the dishwasher immediately. Use a soft, damp cloth on the control panel to gently wipe away spills and dust.

CAUTION

- Do not use benzene, wax, thinner, chlorine bleach, alcohol, or other chemical substances. These materials may discolour the surface of the dishwasher and cause stains.
- The dishwasher has electric parts inside. Do not spray water directly onto the dishwasher. Protect electrical components from water.
- For a stainless-steel door panel, use a stainless steel cleaner for home appliances and a clean, soft cloth.

Interior

Clean the interior of the dishwasher on a regular basis to remove any dirt or food particles. Wipe inside the dishwasher and inside the door with a wet dishcloth.

CAUTION

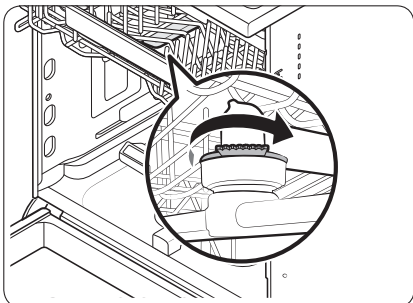
- Do not remove the front seal (the long rubber seal enclosing the opening of the dishwasher). The seal keeps the inner side of the dishwasher sealed.
- Use a damp cloth to remove lime scale or grease deposits inside the dishwasher. Alternatively, apply some detergent, and then run an empty cycle using the highest rinse temperature.

Maintenance

Nozzles

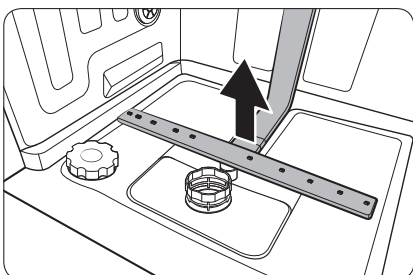
To prevent the nozzles from being clogged or if the nozzles are clogged, remove and clean each nozzle. Use caution when removing the nozzles as they may break.

Upper nozzle



1. Open the door, and then pull out the upper rack to reveal the upper nozzle.
2. Loosen and remove the nut, and then remove the nozzle.
3. Unclog and clean the nozzle.
4. Reinsert the nozzle, and then tighten the nut by hand.
5. Rotate the nozzle by hand to make sure the nozzle is engaged correctly.

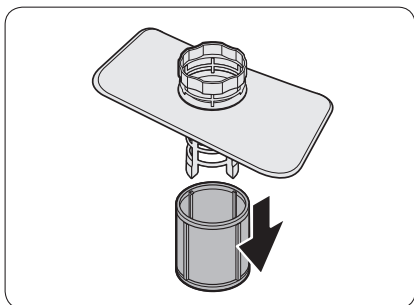
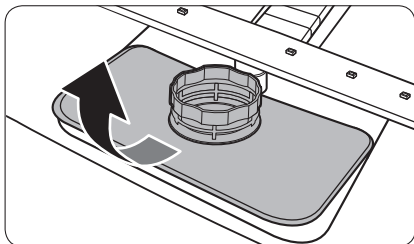
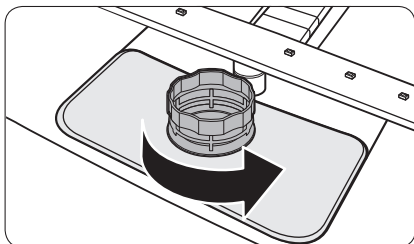
Lower nozzle



1. Open the door, and then pull out the lower rack. The lower nozzle is visible on the bottom.
2. Unclog and clean the nozzle.
3. Reinsert the nozzle.
4. Rotate the nozzle by hand to make sure the nozzle is engaged correctly.

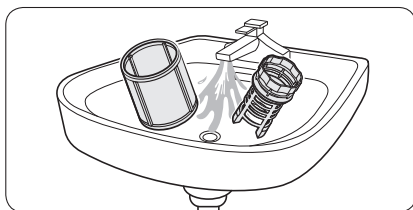
Filter

We recommend cleaning the filter every month.

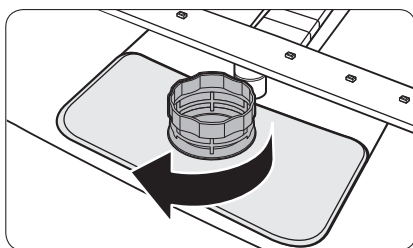
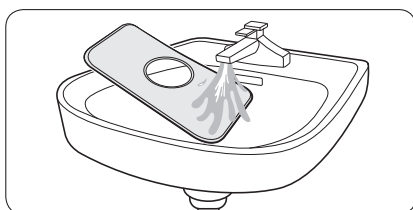


1. Open the door, and then remove the lower rack first.
2. Turn the filter handle counterclockwise to unlock the Coarse filter.
3. Remove the Coarse filter, and then the cylindrical micro filter underneath.

Maintenance



4. Remove any dirt and impurities from the micro filter and the Coarse filter.
5. Rinse them with running water, and then dry well.



6. Reinsert the filter, and then the Coarse filter.
7. Turn the filter handle clockwise to lock.

CAUTION

Make sure the Coarse filter is closed properly. A loose cover can reduce the filtering performance.

Long-term care

If you will not use the dishwasher for an extended period of time, first drain the unit completely, and then disconnect the water hose. Shut off the water supply valve and the circuit breaker. Water remaining in the hoses or the internal components can damage the dishwasher.

Troubleshooting

Checkpoints

If you encounter an issue with the dishwasher, first check the table below and try the suggestions.

Symptom	Possible cause	Action
The dishwasher does not start.	The door is not completely closed.	<ul style="list-style-type: none">• Make sure the door is latched and completely closed.• Make sure the upper rack is properly joined with the nozzle.• Make sure the upper rack is properly assembled.
	The power cord is not connected.	<ul style="list-style-type: none">• Connect the power cord.
	Water is not being supplied.	<ul style="list-style-type: none">• Make sure the water supply valve is open.
	The control panel is locked.	<ul style="list-style-type: none">• Deactivate the Control Lock.
The dishwasher has bad odours.	Water remains from the previous cycle.	<ul style="list-style-type: none">• With the dishwasher empty, add detergent, and then run the Quick cycle. This is available only on applicable models.
Water remains in the dishwasher after a cycle has finished.	The drain hose is folded or clogged.	<ul style="list-style-type: none">• Straighten and unclog the hose.

Troubleshooting

Symptom	Possible cause	Action
Food remains on dishes.	An incorrect cycle was selected.	<ul style="list-style-type: none"> Select a cycle according to the soil level of the dishes as instructed in this manual.
	The filters are clogged or not correctly fastened.	<ul style="list-style-type: none"> Clean the filters. Make sure the filters are correctly fastened.
	An insufficient amount of detergent was used.	<ul style="list-style-type: none"> Use the correct amount of detergent for each load.
	The water pressure is low.	<ul style="list-style-type: none"> Make sure the pressure is between 0.04-1.0 Mpa.
	The nozzles are clogged.	<ul style="list-style-type: none"> Clean and unclog the nozzles.
	Dishes improperly loaded or overloaded.	<ul style="list-style-type: none"> Arrange the dishes so they do not interfere with the nozzles and/or the detergent dispenser.
	The water is too hard.	<ul style="list-style-type: none"> Check the salt refill indicator, and refill with dishwasher salt.
Dishes are not dried well.	There is no rinse aid in the dispenser, or not enough rinse aid was used.	<ul style="list-style-type: none"> Add rinse aid. Check the rinse aid settings.
	Too many dishes are loaded.	<ul style="list-style-type: none"> Overloading may reduce the drying performance. Load your dishes as recommended.
	Glasses and cups spilled water onto other dishes while being unloaded.	<ul style="list-style-type: none"> Empty the lower rack first, and then the upper rack. This will avoid water dripping from the upper rack onto the dishes in the lower rack.
	Multiple detergent tablets were used without selecting the Sanitize option.	<ul style="list-style-type: none"> Select the Sanitize option or use rinse aid.

Symptom	Possible cause	Action
The dishwasher is too noisy.	The dishwasher makes a sound when the dispenser cover is open and the drain pump is operating.	<ul style="list-style-type: none"> This is normal.
	The dishwasher is not level.	<ul style="list-style-type: none"> Make sure the dishwasher is level.
	The nozzle bumps against the dishes, creating a chopping sound.	<ul style="list-style-type: none"> Rearrange the dishes.
Yellow or brown film remains on dishes.	Coffee and tea soils.	<ul style="list-style-type: none"> Use a cycle with a higher temperature.
Indicators do not light up.	The power cord is not connected.	<ul style="list-style-type: none"> Check power supply is present.
The nozzles do not rotate smoothly.	The nozzles are clogged with food particles.	<ul style="list-style-type: none"> Clean the nozzles.
A white coating remains on dishes.	The water is too hard.	<ul style="list-style-type: none"> Make sure the salt fill indicator and softener settings are correct according to the water hardness of your area. Make sure the salt storage cap is correctly fastened.
Air bubbles and scratch marks are on the control panel.	Air gets into the protective film, causing EPS marks to remain.	<ul style="list-style-type: none"> Remove the protective film from the control panel.

Troubleshooting

Information codes

If the dishwasher fails to operate, you may see an information code on the display. Check the table below and try the suggestions.

Code	Action
LC	Leakage check <ul style="list-style-type: none">• Close the water supply valve. Go to your home's circuit breaker panel, and set the dishwasher's circuit breaker switch to off. Then, contact the installer to repair. If the issue continues, contact a local Samsung service center.
4C	Water supply check <ul style="list-style-type: none">• Check if the water supply valve is closed, if the water supply is suspended, or if the water inlet valve or line is frozen or clogged by foreign particles. If the issue continues, contact a local Samsung service center.
AC	PCB communication check <ul style="list-style-type: none">• Abnormal communication between the main PCB and the sub PCB.• If the problem continues, contact an authorised Samsung service center.
HC	High temperature heating check <ul style="list-style-type: none">• Functional check. With the dishwasher empty, add detergent, and then run a cycle. If the issue continues, go to your home's circuit breaker panel, and set the dishwasher's circuit breaker switch to off. Then, contact a Samsung service center.
tC	Thermistor check <ul style="list-style-type: none">• Temperature sensor is broken (short or open circuit). If the problem continues, contact an authorised Samsung service center.
3C	Washing pump check <ul style="list-style-type: none">• Abnormal working with washing pump. If the issue continues, contact a local Samsung service center.
PC	Distribution motor check <ul style="list-style-type: none">• Abnormal working with distribution motor assembly, or main PCB. If the issue continues, contact a local Samsung service center.
5C	Check filter and drain pipe. If it is jammed, clean it. If the issue continues, contact a local Samsung service center.

If any information code keeps appearing on the screen, contact a local Samsung service centre.

Cycle chart

8500AM - B grade (DW60A807*, DW60A806*)

Cycle	AUTO	ECO	Intensive
Cycle sequence	Pre wash (45 °C) ▶ Main wash (55 °C- 65 °C) ▶ Rinse ▶ Hot rinse (50 °C - 55 °C) ▶ Dry ▶ End	Pre wash ▶ Main wash (48 °C) ▶ Rinse ▶ Hot rinse (41 °C) ▶ Dry ▶ End	Pre wash (50 °C) ▶ Main wash (65 °C) ▶ Rinse ▶ Hot rinse (58 °C) ▶ Dry ▶ End
Water consumption (L)	6.5-16.8	8.5	15.6
Energy consumption (kWh)	0.650-1.500	0.644	1.330
Cycle time (min.)	149	230	238

Cycle	Delicate	Express 60	* Pre Wash
Cycle sequence	Pre wash (40 °C) ▶ Main wash (50 °C) ▶ Rinse ▶ Hot rinse (50 °C) ▶ Dry ▶ End	Pre wash (35 °C) ▶ Main wash (60 °C) ▶ Rinse (50 °C) ▶ Hot rinse (50 °C) ▶ Dry ▶ End	Pre wash ▶ End
Water consumption (L)	12	14.4	4.1
Energy consumption (kWh)	0.880	0.855	0.02
Cycle time (min.)	149	60	15

Cycle chart

Cycle chart

Cycle	Self Clean	Download cycle	
		Extra Silence	Pots and Pans
Cycle sequence	Pre wash ▶ Main wash (70 °C) ▶ Rinse ▶ Hot rinse (70 °C) ▶ Dry ▶ End	Pre wash (35 °C) ▶ Main wash (60 °C) ▶ Rinse ▶ Hot rinse (55 °C) ▶ Dry ▶ End	Pre wash (50 °C) ▶ Main wash (68 °C) ▶ Rinse ▶ Hot rinse (70 °C) ▶ Dry ▶ End
Water consumption (L)	13	11.8	20.5
Energy consumption (kWh)	1.200	1.220	1.840
Cycle time (min.)	162	294	202

Cycle	Download cycle	
	Baby Care	Plastic
Cycle sequence	Hot rinse (70 °C) ▶ Dry ▶ End	Pre wash ▶ Main wash (60 °C) ▶ Rinse ▶ Hot rinse (60 °C) ▶ Dry ▶ End
Water consumption (L)	6.2	13.1
Energy consumption (kWh)	0.855	1.110
Cycle time (min.)	70	155

Cycle chart

8500AM – C grade (DW60A805*, DW60A804*)

Cycle	AUTO	ECO	Intensive
Cycle sequence	Pre wash (45 °C) ▶ Main wash (55 °C- 65 °C) ▶ Rinse ▶ Hot rinse (50 °C - 55 °C) ▶ Dry ▶ End	Pre wash ▶ Main wash (50 °C) ▶ Rinse ▶ Hot rinse (45 °C) ▶ Dry ▶ End	Pre wash (50 °C) ▶ Main wash (65 °C) ▶ Rinse ▶ Hot rinse (58 °C) ▶ Dry ▶ End
Water consumption (L)	8.5-18	9.8	16.6
Energy consumption (kWh)	0.850-1.550	0.746 (14 settings)/ 0.735 (13 settings)	1.500
Cycle time (min.)	149	210	205

Cycle	Delicate	Express 60	* Pre Wash
Cycle sequence	Pre wash (40 °C) ▶ Main wash (50 °C) ▶ Rinse (50 °C) ▶ Hot rinse (50 °C) ▶ Dry ▶ End	Pre wash (35 °C) ▶ Main wash (60 °C) ▶ Rinse (50 °C) ▶ Hot rinse (50 °C) ▶ Dry ▶ End	Pre wash ▶ End
Water consumption (L)	13.5	15	4.1
Energy consumption (kWh)	0.950	0.950	0.020
Cycle time (min.)	120	60	15

Cycle chart

Cycle chart

Cycle	Extra Silence	Self Clean	Download cycle
			Pots and Pans
Cycle sequence	Pre wash (35 °C) ▶ Main wash (60 °C) ▶ Rinse ▶ Hot rinse (55 °C) ▶ Dry ▶ End	Pre wash ▶ Main wash (70 °C) ▶ Rinse ▶ Hot rinse (70 °C) ▶ Dry ▶ End	Pre wash (50 °C) ▶ Main wash (68 °C) ▶ Rinse (50 °C) ▶ Hot rinse (70 °C) ▶ Dry ▶ End
Water consumption (L)	13	15	21.8
Energy consumption (kWh)	1.200	1.250	1.860
Cycle time (min.)	270	145	172

Cycle	Download cycle	
	Baby Care	Plastic
Cycle sequence	Hot rinse (70 °C) ▶ Dry ▶ End	Pre wash ▶ Main wash (60 °C) ▶ Rinse ▶ Hot rinse (60 °C) ▶ Dry ▶ End
Water consumption (L)	3.8	14.4
Energy consumption (kWh)	0.855	1.125
Cycle time (min.)	71	129

* Pre Wash: This cycle does not activate the Auto Door function nor the drying process. Continuous use of the Pre Wash cycle for an extended time is not recommended. This may reduce the performance of the water softener.

NOTE

- The cycle time depends on the options you have added, and the pressure and temperature of the supplied water.
- The dishwasher drains the remaining water inside automatically if it has not been used for the last 5 days.
- The power consumption depends on the water temperature and/or load. When the rinse aid reservoir is empty, time and temperature can increase a little.
- If no rinse aid is used, the cycle time and temperature may increase slightly.

Appendix

Transportation/relocation

Make sure the dishwasher is empty with no loose parts. First, drain the dishwasher as follows.

1. Open the door, and then turn the dishwasher on.
2. Select and run the **ECO** cycle.
3. Press **START**, and then close the door.
4. When the cycle is finished, open the door after 5 seconds.
5. Press and hold **START** for 3 seconds to drain water.
6. Close the door.
7. When the draining process is complete, open the door.
8. Turn the dishwasher off, and then shut the water valve off.
9. Disconnect the both the water hose and the drain hose.

CAUTION

Do not shake or sway the dishwasher while moving it. Residual water may drip from the dishwasher.

Protection against frost

If you leave the dishwasher in a place with a risk of frost for an extended time, make sure to empty the dishwasher. For details, see the "Transportation/relocation" section.

Disposing the dishwasher and helping the environment

Your dishwasher is manufactured from recyclable materials. If you decide to dispose of it, please observe your local waste disposal regulations. Cut off the power cord so that the appliance cannot be connected to a power source.

Remove the door so that animals and children cannot get trapped inside the appliance.

For more ecodesign information

Ecodesign information can be found by going to user manual at www.samsung.com/support.

Appendix

Specifications

MODEL	DW60A807*F* DW60A806*F* DW60A805*F* DW60A804*F*	DW60A807*U* DW60A806*U* DW60A805*U* DW60A804*U*	DW60A807*BB DW60A806*BB DW60A805*BB DW60A804*BB	DW60A807*IB DW60A806*IB DW60A805*IB DW60A804*IB
Type	Free Standing	Built Under	Fully Built-in	Fully Built-in (Sliding)
Power	220-240 V~, 50 Hz			
Water pressure	0.04-1.0 Mpa			
Wash capacity	DW60A807*	14 Place settings		
	DW60A806*	14 Place settings		
	DW60A805*	14 Place settings		
	DW60A804*	13 Place settings		
Rated power	1760-2100 W			
Dimension (Width x Depth x Height)	598×600×845 mm	598×570×815 mm	598×550×815 mm	
Weight (Unpacked)	52.5 kg (806* models) 50.5 kg (805* models) 51 kg (804* models)	44.5 kg (807* models) 42.5 kg (805* models)	43.5 kg (807* models) 43 kg (806* models) 40.5 kg (805* models) 40 kg (804* models)	43.5 kg (806* models) 40 kg (804* models)
Weight (Packed)	57 kg (806* models) 55.5 kg (805* models) 56.5 kg (804* models)	51.5 kg (807* models) 49 kg (805* models)	49.5 kg (807* models) 49.5 kg (806* models) 47 kg (805* models) 45.5 kg (804* models)	50 kg (806* models) 46 kg (804* models)

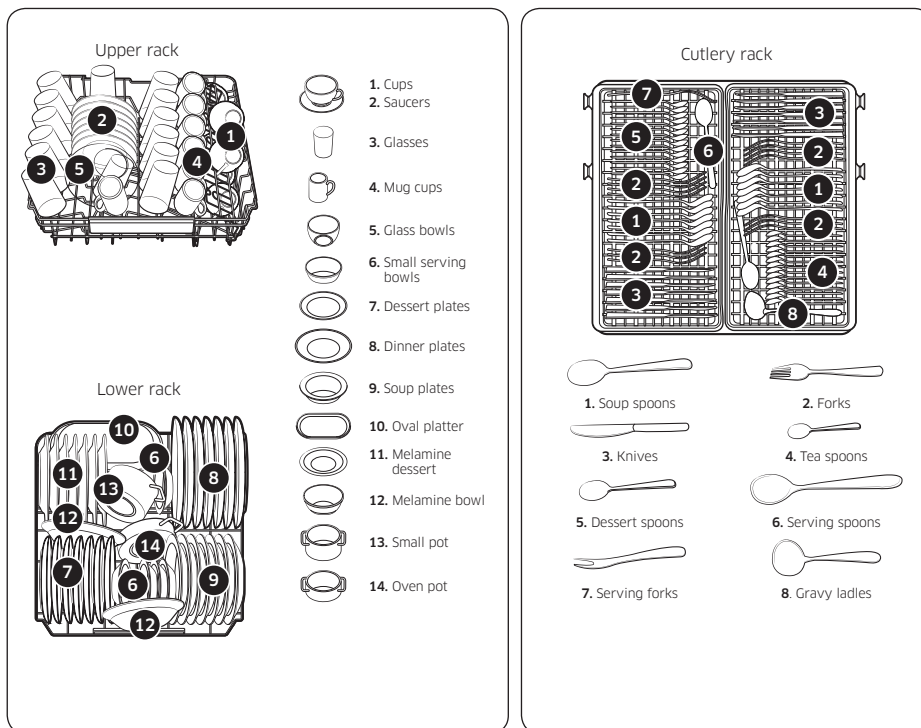
For standard test

NOTE

The information for comparability test as follows.

DW60A807*/DW60A806*/DW60A805* models

- Washing capacity: 14 place settings
- Test standard: EN 60436
- Position of upper rack: lower position
- Wash cycle: ECO
- Additional options: None
- Rinse aid level setting: F4
- Water hardness level setting: H3
- Dosage of the standard detergent: main-wash 22 g
- For the arrangement of the items, refer to the below figures

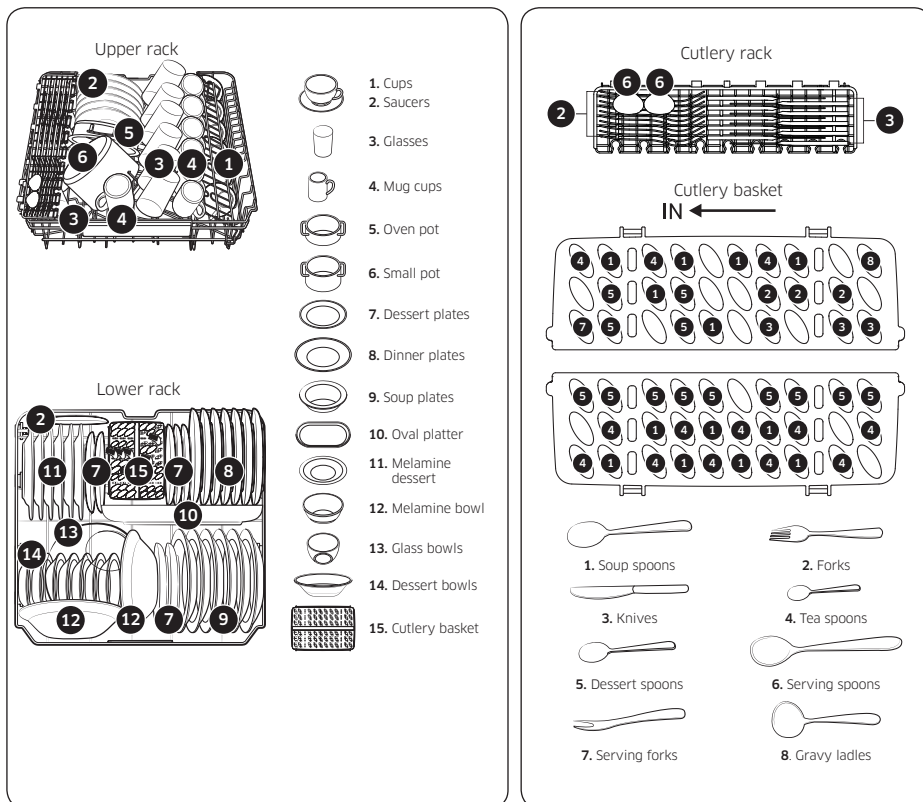


For standard test

For standard test

DW60A804* models

- Washing capacity: 13 place settings
- Test standard: EN 60436
- Position of upper rack: lower position
- Wash cycle: ECO
- Additional options: None
- Rinse aid level setting: F4
- Water hardness level setting: H3
- Dosage of the standard detergent: main-wash 21 g
- For the arrangement of the items, refer below figures



For standard test

Memo

Memo

Memo

QUESTIONS OR COMMENTS?

COUNTRY	CALL	OR VISIT US ONLINE AT
AUSTRIA	0800 72 67 864 (0800-SAMSUNG)	www.samsung.com/at/support
BELGIUM	02-201-24-18	www.samsung.com/be/support (Dutch) www.samsung.com/be_fr/support (French)
DENMARK	707 019 70	www.samsung.com/dk/support
FINLAND	030-6227 515	www.samsung.com/fi/support
FRANCE	01 48 63 00 00	www.samsung.com/fr/support
GERMANY	06196 77 555 77	www.samsung.com/de/support
ITALIA	800-SAMSUNG (800.7267864)	www.samsung.com/it/support
CYPRUS	8009 4000 only from landline, toll free	www.samsung.com/gr/support
GREECE	80111-SAMSUNG (80111 726 7864) only from land line (+30) 210 6897691 from mobile and land line	www.samsung.com/gr/support
LUXEMBURG	261 03 710	www.samsung.com/be_fr/support
NETHERLANDS	088 90 90 100	www.samsung.com/nl/support
NORWAY	21629099	www.samsung.com/no/support
PORTUGAL	210 608 098 Chamada para a rede fixa nacional Dias úteis das 9h às 20h	www.samsung.com/pt/support
SPAIN	91 175 00 15	www.samsung.com/es/support
SWEDEN	0771-400 300	www.samsung.com/se/support
SWITZERLAND	0800 726 786	www.samsung.com/ch/support (German) www.samsung.com/ch_fr/support (French)
UK	0333 000 0333	www.samsung.com/uk/support
IRELAND (EIRE)	0818 717100	www.samsung.com/ie/support
SINGAPORE	1800 7267864 1800-SAMSUNG (Other)	www.samsung.com/sg/support



DD81-03206B-05