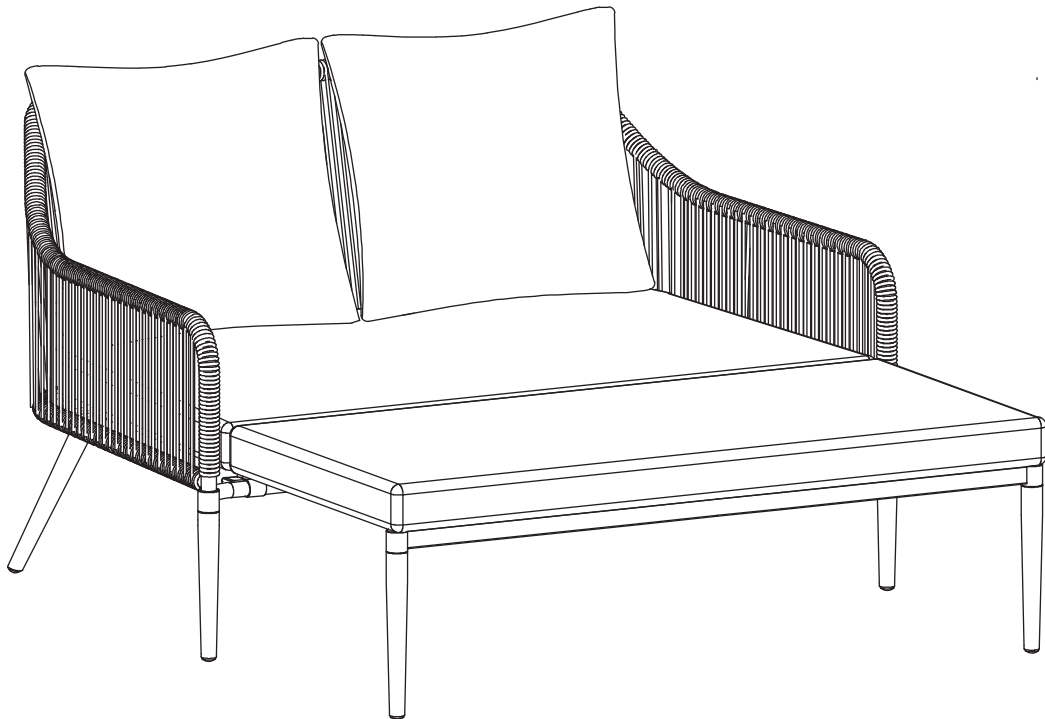



Malta Day Bed



Spare Parts

 www.argos-support.co.uk

 Help@ClickSpares.co.uk

 0370 112 1928

Customer Support

 0345 640 2020



Safety and Care Advice

Product Details

4706197

IMPORTANT, RETAIN FOR FUTURE REFERENCE: READ CAREFULLY.

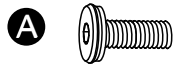
- Keep children and animals away from the work area, small parts could choke if swallowed.
 - Make sure you have enough space to layout the parts before starting.
 - This product has been constructed to be used in the domestic environment only and not for commercial purposes.
 - Make sure you have enough space to layout the parts before starting.
 - Assemble the item as close to its final position (in the same room) as possible.
 - Assemble on a soft level surface to avoid damaging the unit or your floor.
 - Remove all fittings from the plastic bags and separate them into their groups.
 - Do not stand or put weight on the product during assembly, this could cause damage.
-
- We do not recommend the use of power drill/drivers for inserting screws as this could damage the unit. Only use hand screwdrivers.
 - Parts of the assembly will be easier with 2 people.
 - Dispose of all packaging carefully and responsibly.

Additional Guidance

- Assemble all parts and bolts loosely during assembly, only once the product is complete should you fully tighten the bolts.
- Regularly check and ensure that all bolts and fittings are tightened properly.
- The unit weight approximately 25 kgs.
- Do not fully tighten all screws until assembly is completed.
- Maximum safe seated weight: 220 kgs.
- Only clean using a damp cloth and mild detergent, do not use bleach or abrasive cleaners.
- Make sure each screw matches the corresponding figure to ensure correct assembly.
- From time to time check that there are no loose screws on this chair.
- This product should not be discarded with household waste. Take to your local authority waste disposal centre.
- This product is compliant BS EN581-1; BS EN581-2.

Fittings (Shown to scale)

Bag 1



A
15mm Screw x6



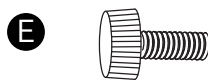
B
Washer x6



C
Screw Cap x6

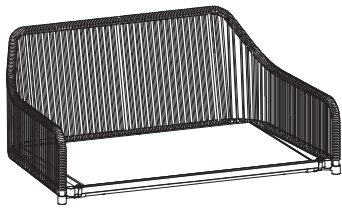


D
Allen Key

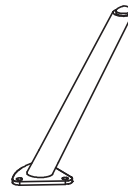


E
Adjustable Screw Foot Cap x 6
(assembled)

Components



1 Day Bed Seat
(1293x920x530mm)



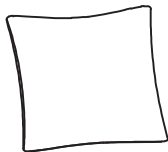
2 Back Leg (x2)
Diam 35x315mm



3 Middle Leg (x2)
(Diam 35x282mm)



4 Front Leg (x2)
(Diam 35x307mm)



5 Back Cushion (x2)
(540x450x100mm)

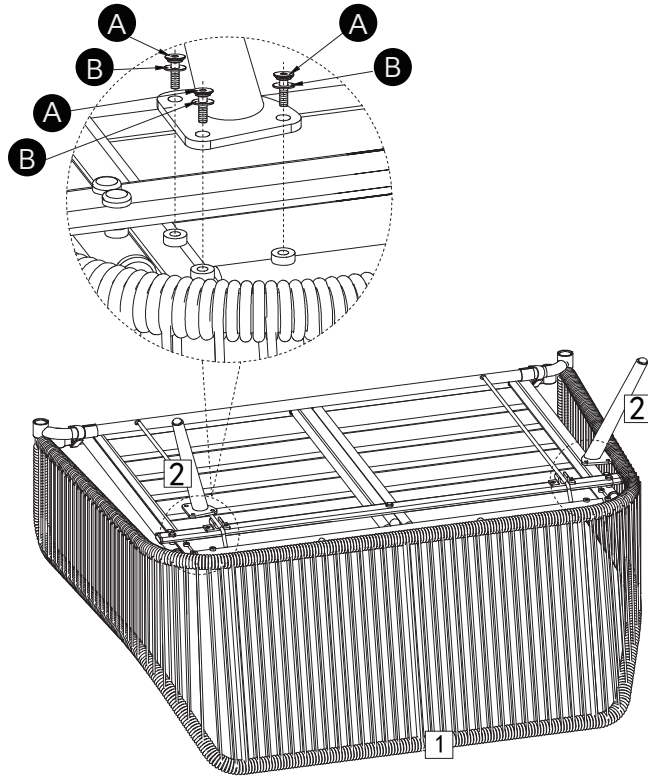
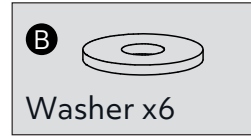
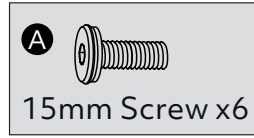
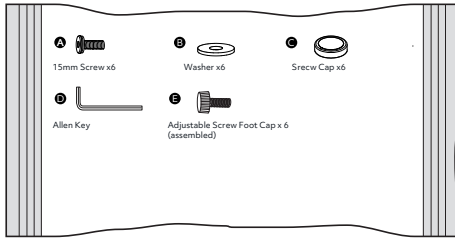


6 Seat Cushion
(1210x760x80mm)



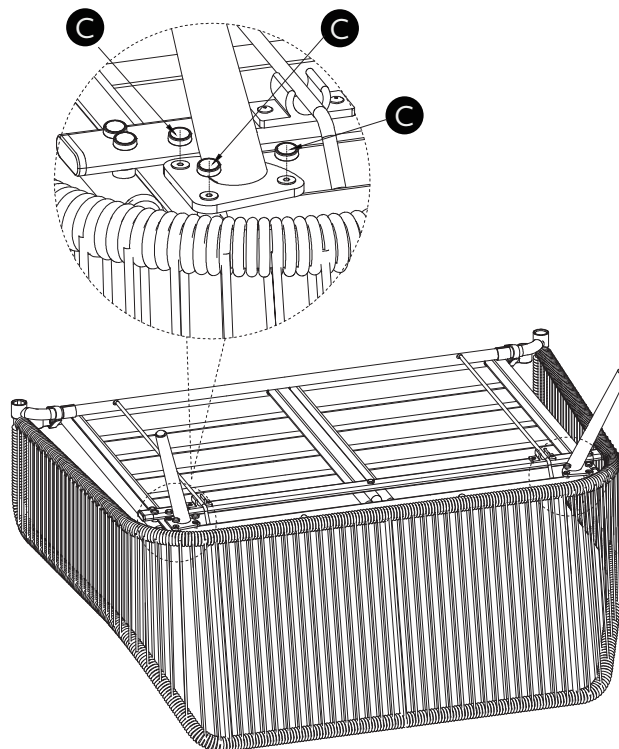
7 Stool Cushion
(1210x580x80mm)

1



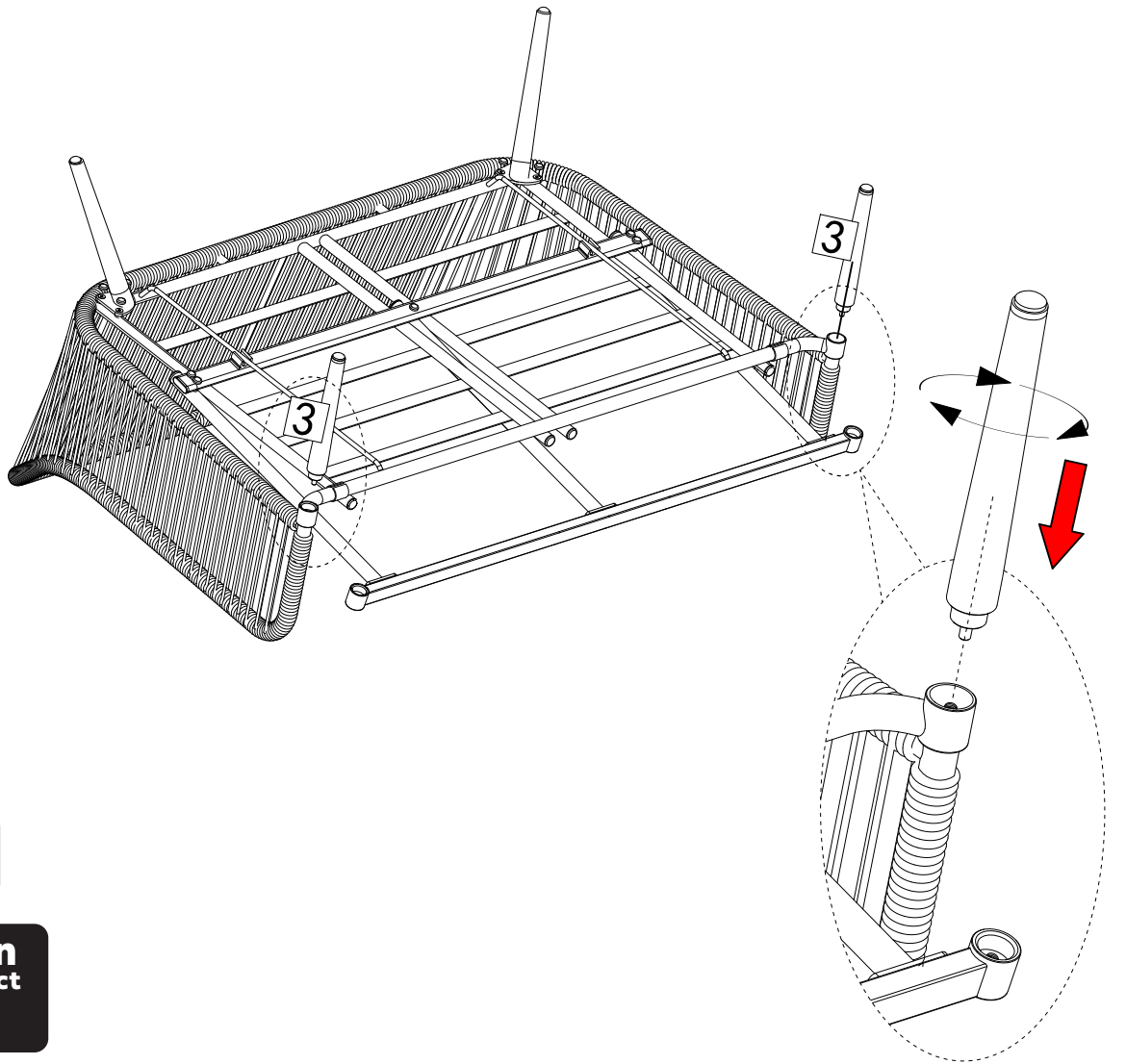
Repeat
x2

2



Repeat
x2

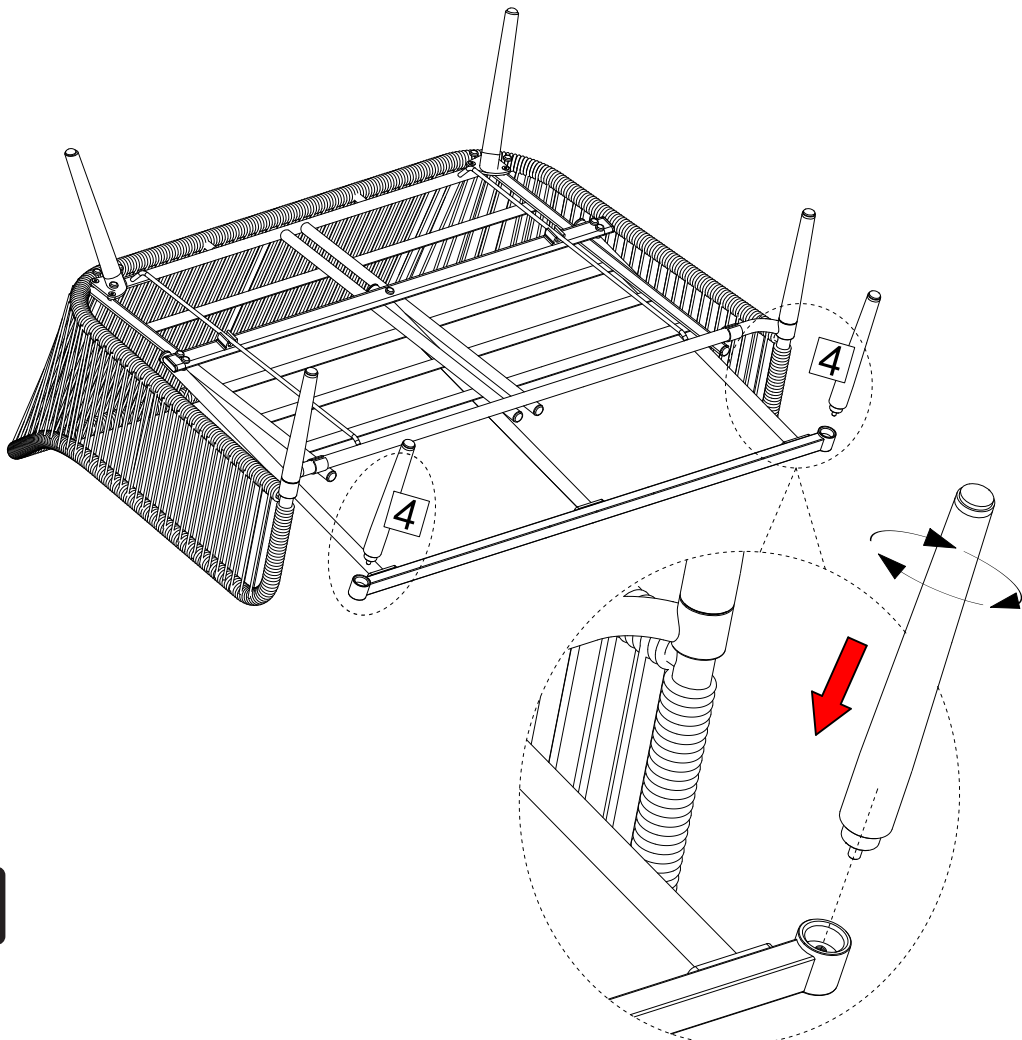
3



 Repeat
x2

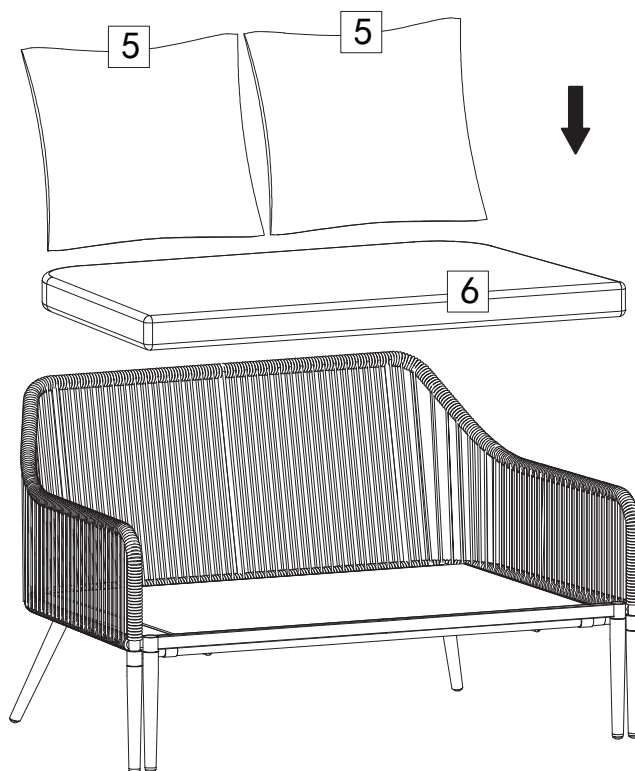
 Turn
Product

4

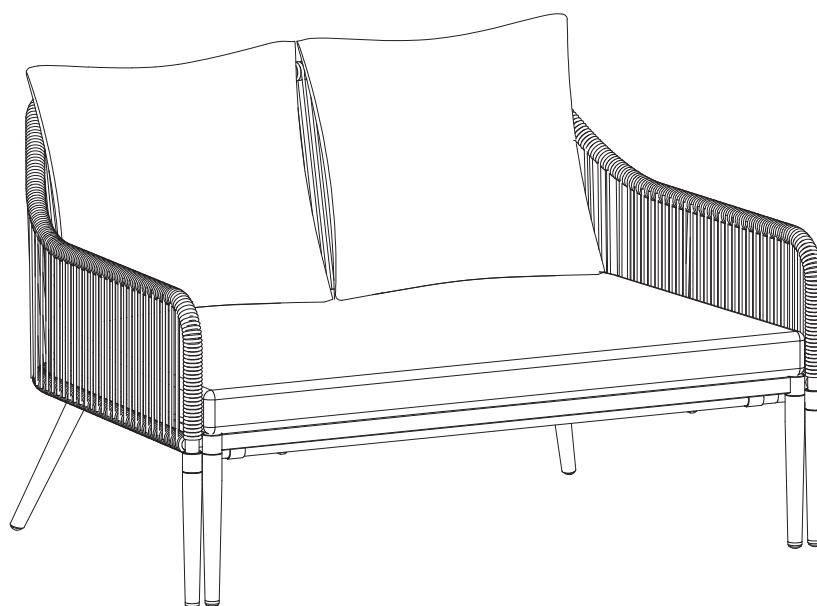


 Repeat
x2

5

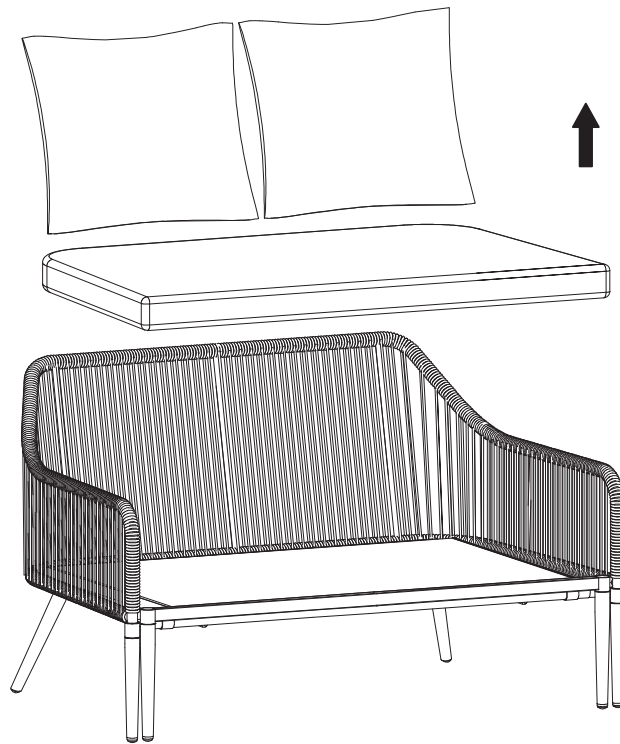


6 As the sofa

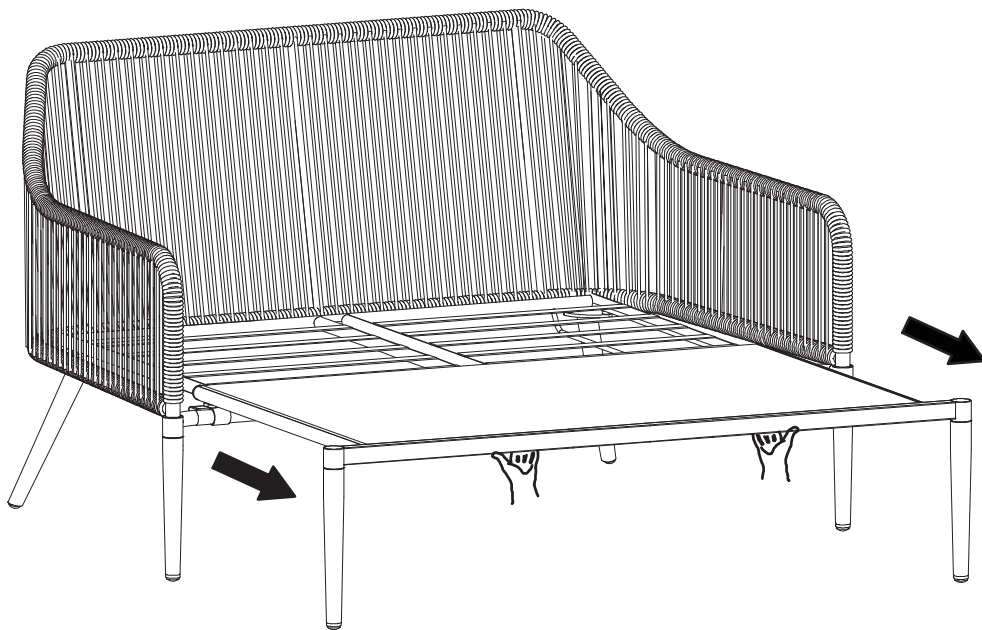


The sofa is completed.

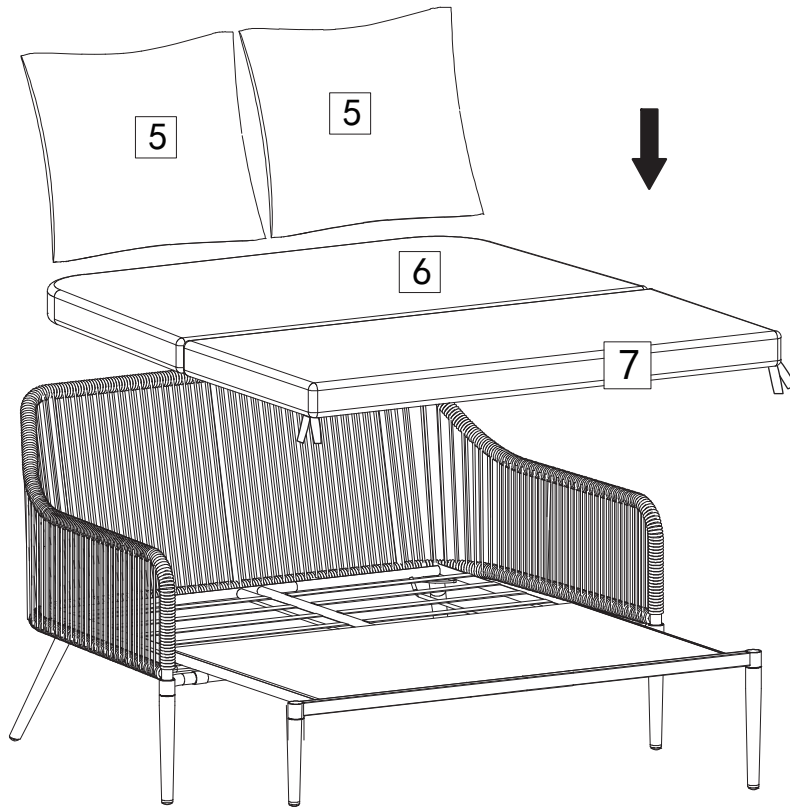
7 As the day bed



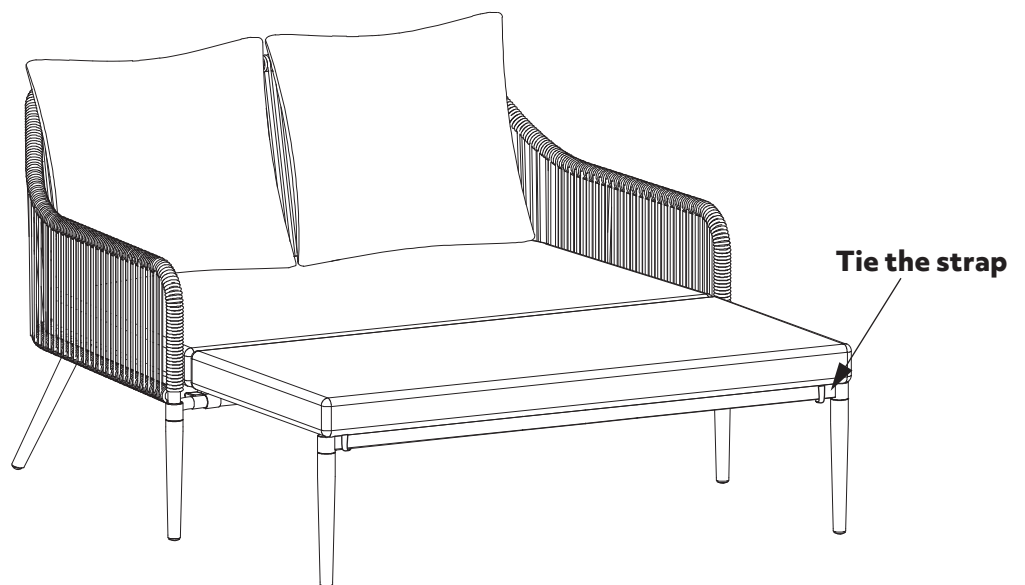
8



9



10



The day bed is completed.