

# 4700382 Wicker Pear Plug in Wall Light

Assembly Instructions - Please retain for future reference

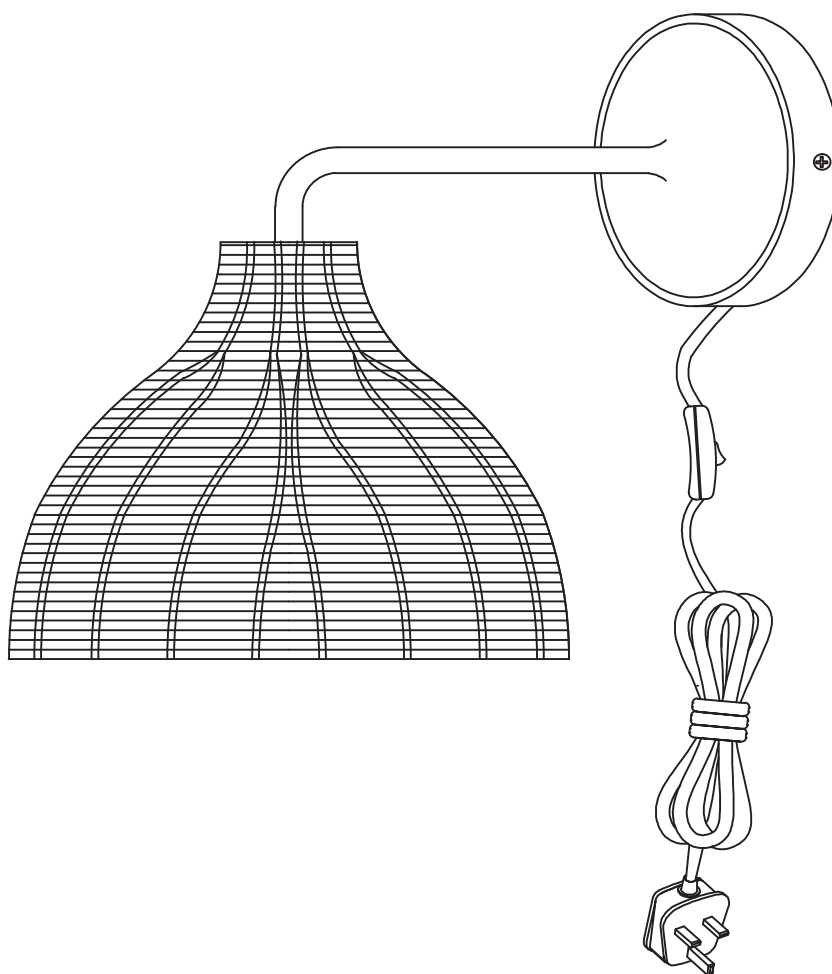
## Dimensions

Compact

Width - 17.5cm

Height - 25cm

Length - 26.5cm



If you need help or have damaged or missing parts, email:  
[customerservices@habitat.co.uk](mailto:customerservices@habitat.co.uk) or call: 0344 499 4686

 habitat

# Components & Fittings

If you need help or have damaged or missing parts, email: [customerservices@habitat.co.uk](mailto:customerservices@habitat.co.uk) or call: 0344 499 4686

Please check you have all the components and fittings listed below

Before commencing assembly, please identify all components.

Do not discard the packaging, until the units is fully assembled to ensure that no fittings or components are disposed of.

## Specification

Product: Wicker Pear Plug in Wall Light

Voltage: 220-240V AC 50Hz

Wattage: Max 10W LED

Bulb Type: E14



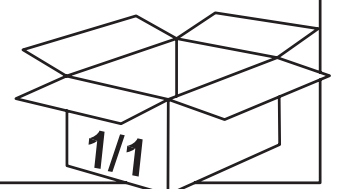
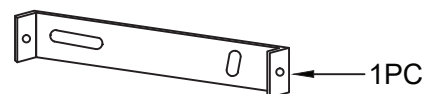
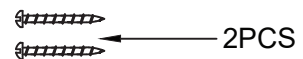
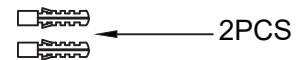
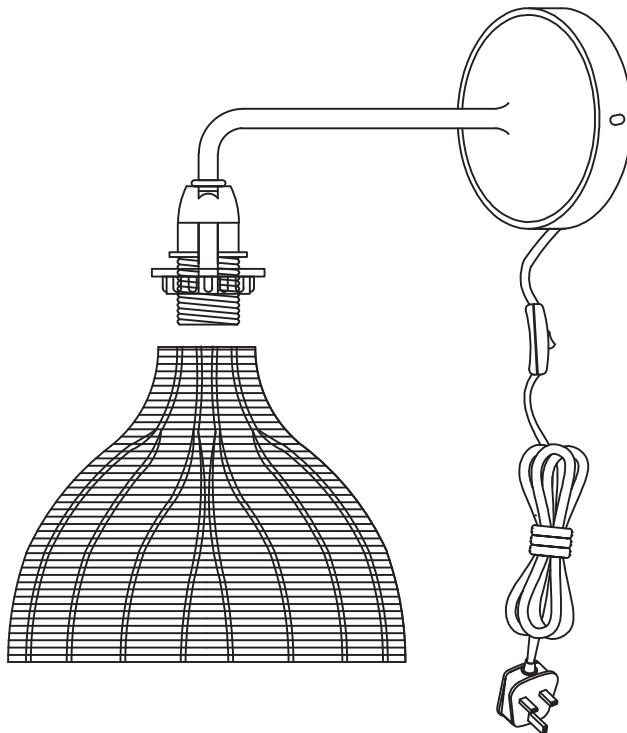
4700382



### Bulb not included

Please turn off the power supply when replacing the bulb.

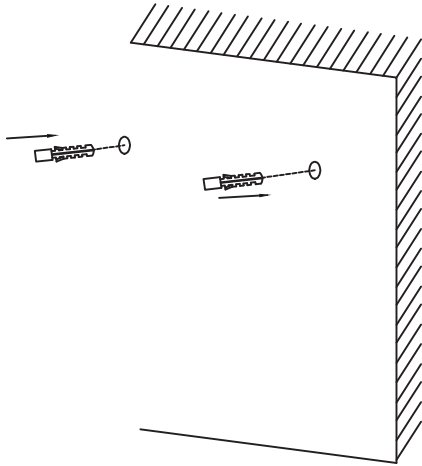
## Components



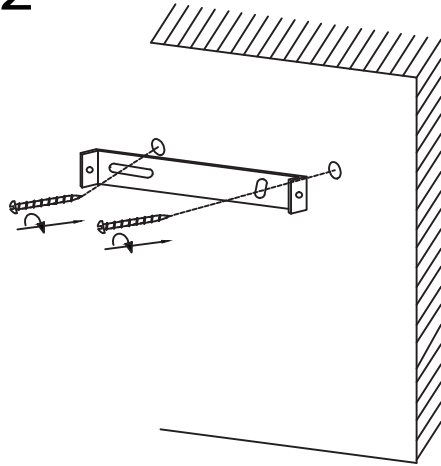
# Installation instructions

**Important** – Please retain for future reference

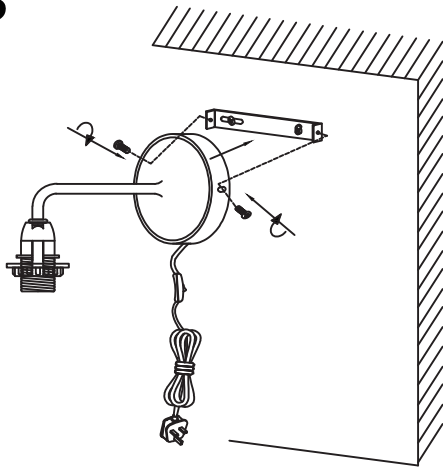
1



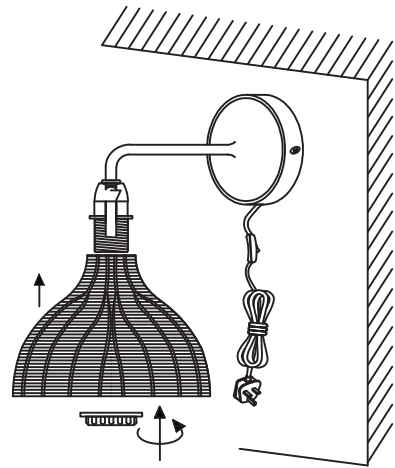
2



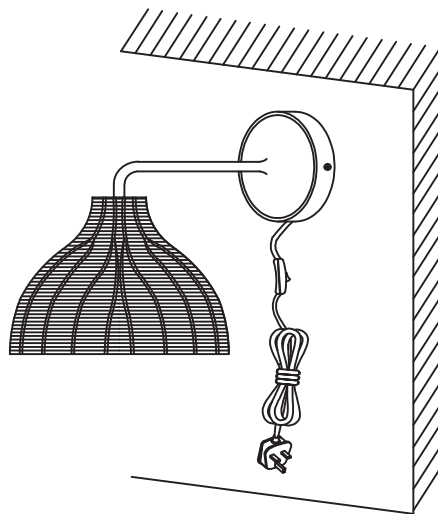
3



4



5



2

If you need help or have damaged or missing parts, email:  
[customerservices@habitat.co.uk](mailto:customerservices@habitat.co.uk) or call: 0344 499 4686

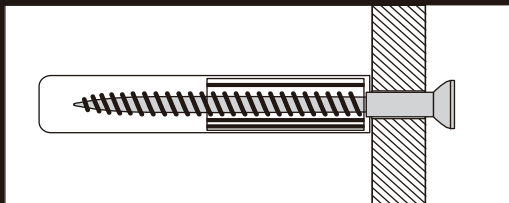
 habitat

# Safety Information

**Important** – Please retain for future reference

A Guide to


## Wall Mounting & Fixings



### IMPORTANT:

When drilling into walls always check that there are no hidden wires or pipes etc. Make sure that the screws and wall plugs being used are suitable for supporting your unit. Consult a qualified tradesperson if you are unsure.

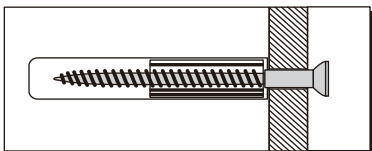
### HINTS:

- 1) General Rule  Always use a larger screw and wall plug if you are not sure.
- 2) Ensure you use the recommended drill bit to match the wall plug and hole size.
- 3) Ensure you drill the hole horizontally, do not force the drill or enlarge the hole.
- 4) Take extra care when drilling high walls, ceilings and ceramic tiles. Ensure the plug is fitting below the ceramic tile to avoid splitting or cracking.
- 5) Ensure wall plugs are well fitted and are a tight fit in the drilled hole.

### Types Of Walls

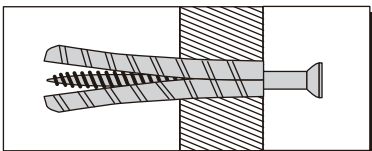
You can use one of the following types of wall plug if your walls are made of brick, breeze block, concrete, stone, wood or plaster board.

#### No.1 "Standard" Wall Plug General Wall Materials



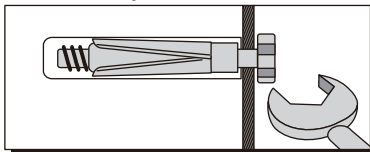
These come in various sizes and are made from plastic or sometimes wood fiber.

#### No.2 "General Purpose" Wall Plug Aerated / Breeze Block



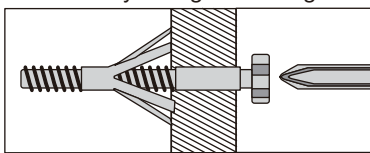
Generally aerated blocks should not be used to support heavy loads, use a specialist fitting in this case. For light loads, a General Purpose Plug can be used.

#### No.3 "Shield Anchor" Wall Plug Heavy Loads



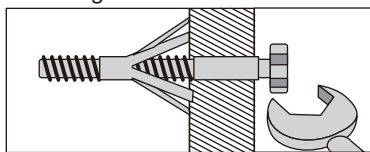
For use with heavier loads such as TV & HiFi Speakers and Satellite Dishes etc.

#### No.4 "Cavity Fixing" Wall Plug



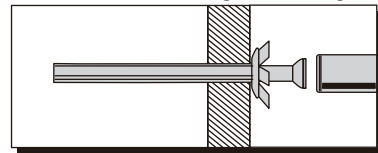
For use with plaster board partitions or hollow wooden doors.

#### No.5 "Cavity Fixing - Heavy Duty" Wall Plug



For use when fitting or supporting heavy loads such as shelving, wall cabinets, coat racks.

#### No.6 "Hammer Fixing" Wall Plug



For use with walls stuck with plaster board. The hammer fixing allows it to be fixed to the wall rather than the plaster board. Always check the fixing is secure to the retaining wall.

### CARE & MAINTENANCE

#### SAFETY

Always check the fitting and location to ensure your safety in and around the home.

#### FITTING

From time to time check the fitting to ensure the wall plugs or screws do not become loose.

# Safety Information

**Important** – Please retain for future reference



This product is double insulated and must not be earthed. If in doubt, we recommend you consult a qualified electrician.

This product is supplied complete with a 3-amp fuse plug. Our products should not be modified. If any modification is made, including tampering with the plug, it will invalidate the warranty and may render the product unsafe.

**IMPORTANT** - Dispose of all packaging correctly and responsibly and in accordance with all local laws and regulations. Never leave packaging components within reach of children as they can be a source of danger.

**WARNING** - This product is not intended for use by persons (including children) with reduced physical, sensory and mental capabilities, or lack of experience and knowledge, unless they have been given supervision or instruction concerning use of the product by persons responsible for their safety.

**WARNING** - Children should be supervised to ensure that they do not play with the product.

THIS PRODUCT CAN GET EXTREMELY HOT DURING USE. CAUTION MUST BE TAKEN WHEN MAINTAINING, ADJUSTING OR CLEANING THE LUMINAIRE.



# Maintenance

**Important** – Please retain for future reference

**This product is designed for indoor use only and must be fitted to a DRY SURFACE as any dampness in plaster or paint can damage the finish.**

## **BULB REPLACEMENT**

1. Switch off the mains power supply.
2. Before replacing the bulb, allow it to cool down for at least 10 minutes.
3. Never touch the bulb with your fingers directly, cover it with a cloth.
4. Loosen the bulb and remove it from the lamp.
5. Replace a new bulb with same voltage and wattage



Disposal of Waste Equipment by Users in the European Union.

This symbol on the product indicates that this product must not be disposed of with your other household waste. Instead, it is your responsibility to dispose of your waste equipment by handing it over to a designated collection point for the recycling of waste electrical and electronic equipment. The separate collection and recycling of your waste equipment at the time of disposal will help to conserve natural resource that it is recycled in a manner that protects human health and the environment. For more information about where you can drop off your waste equipment for recycling, please contact your local city office, your households waste disposal service or the shop where you purchased the product.