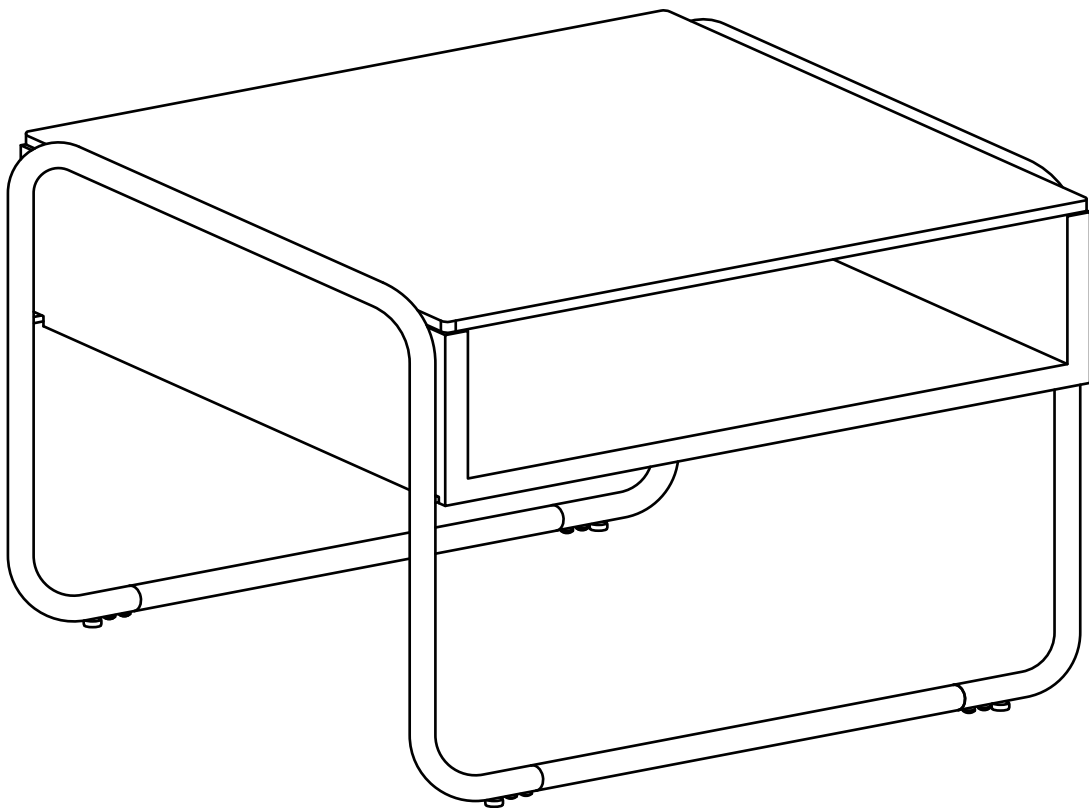



Acciaio

 habitat



Spare Parts

 www.argos-support.co.uk

 Help@ClickSpares.co.uk

 0370 112 1928

Customer Support

 0345 640 2020



KEEP THESE INSTRUCTIONS FOR FUTURE REFERENCE.

Safety and Care Advice

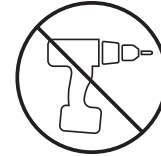
Product Details

4656539 Habitat 60th Acciaio oak and glass coffee table

IMPORTANT, RETAIN FOR FUTURE REFERENCE: READ CAREFULLY.

- Keep children and animals away from the work area, small parts could choke if swallowed.
- Make sure you have enough space to layout the parts before starting.
- This product has been constructed to be used in the domestic environment only and not for commercial purposes.

- Assemble the item as close to its final position (in the same room) as possible.
- Assemble on a soft level surface to avoid damaging the unit or your floor.



• We do not recommend the use of power drill/drivers for inserting screws as this could damage the unit. Only use hand screwdrivers.

- Parts of the assembly will be easier with 2 people.
- Dispose of all packaging carefully and responsibly.

Care and maintenance

- Only clean using a damp cloth and mild detergent. Do not use abrasive cleaners.
 - Use a dry cloth to clean the product, furniture polish is not recommended.
 - From time to time check that there are no loose screws, nuts or bolts. If there are please re-tighten.
 - This product should not be discarded with household waste. Take to your local authority waste disposal centre.
- a) The furniture manufacturer's/ supplier's name and address :
Shin Heng Yang CO., LTD.
No.220, Xizhou Rd., Shengang Dist., Taichung City 42948, Taiwan
 - b) Product model number:
4656539
 - c) Details of the type of glass used:
Toughened glass, 8 mm thickness
 - d) The following statement:
"If the glass is chipped or broken, stop using the product."
 - e) Clean glass with a damp cloth. Use only water/glass-cleaner. Wipe dry with clean a cloth.



KEEP THESE INSTRUCTIONS FOR FUTURE REFERENCE.

Safety and Care Advice

f) "WARNING"

- Handle with care.
- Do not place very hot or very cold items directly on glass surfaces.
- Do not sit or stand on glass surfaces.
- Do not strike the glass with hard or pointed items, or use the glass as a chopping surface.
- Do not use abrasives cleaning agents, as these may scratch the glass.
- Always supervise young children around glass products.

In exceptional circumstances a scratched surface or damaged edge may cause the glass to break unexpectedly. The glass in this product is designed to break into small fragments rather than large/sharp pieces. Avoid impacts on the side or edges of the glass, as this is where the glass is most vulnerable.

- Safe load of shelf: 50 KGS

Additional Guidance

- Assemble all parts and bolts loosely during assembly, only once the product is complete should you fully tighten the bolts.
- Regularly check and ensure that all bolts and fittings are tightened properly.

Made in Taiwan for Habitat, Argos Limited, London, EC1N 2HT, UK. Argos (N.I.) Ltd. Forestside Shopping Centre, Upper Galwally, Belfast, BT8 6FX, UK.

Fittings (Shown to scale)

Bag 1



A 16mm Allen screw x8

Pt. No



B 11mm Washer x8

Pt. No



C 12x13.5mm Plastic insert x4

Pt. No



D 4mm Allen Key x1

Pt. No

Hardware

E

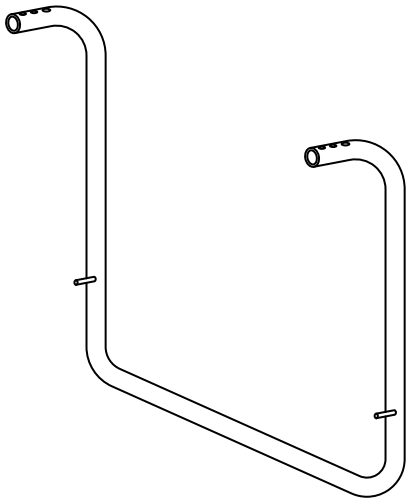


Table leg x2

Pt. No

F

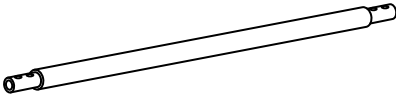
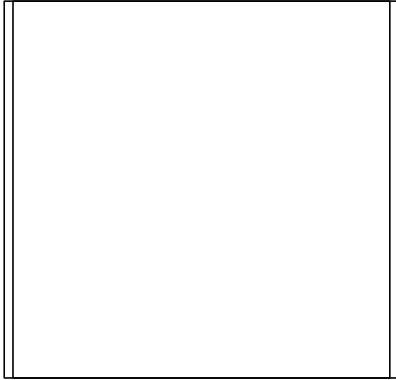


Table frame x2

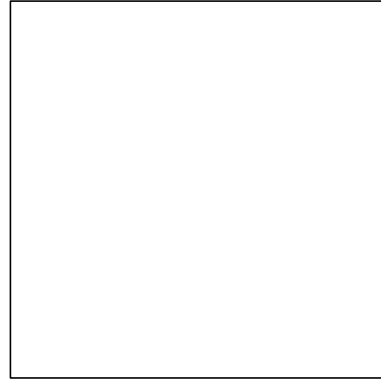
Pt. No

Panels



Pt. No

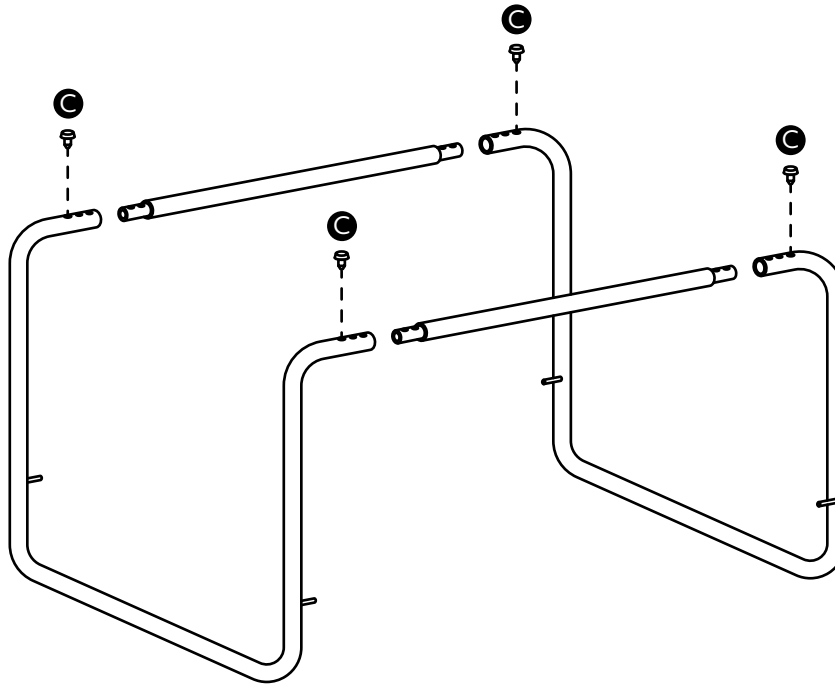
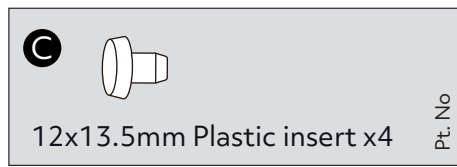
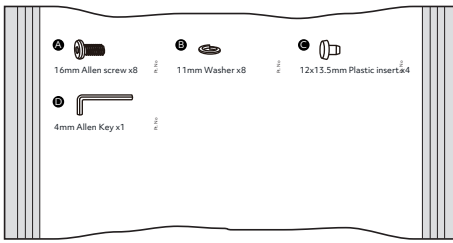
1 Table
(700 x 700mm)



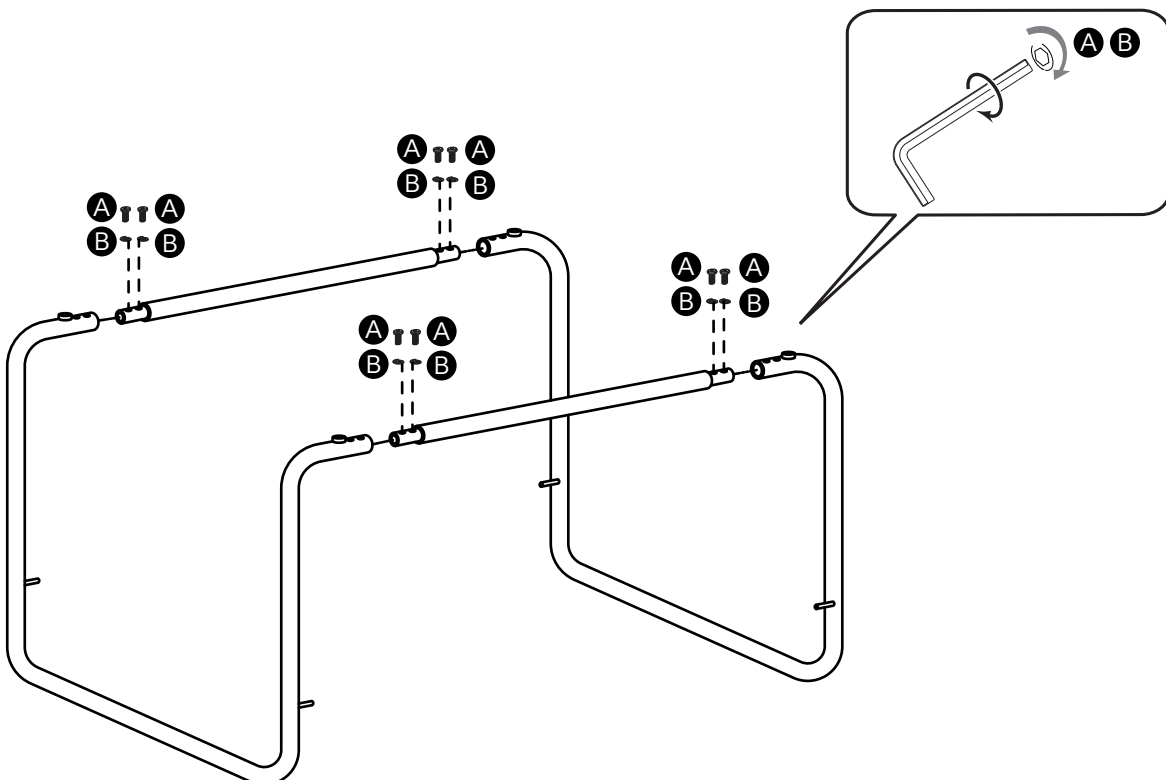
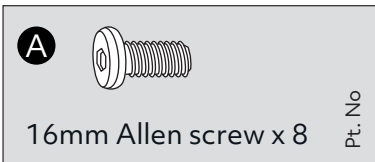
Pt. No

2 Tempered Glass
(700 x 700mm)

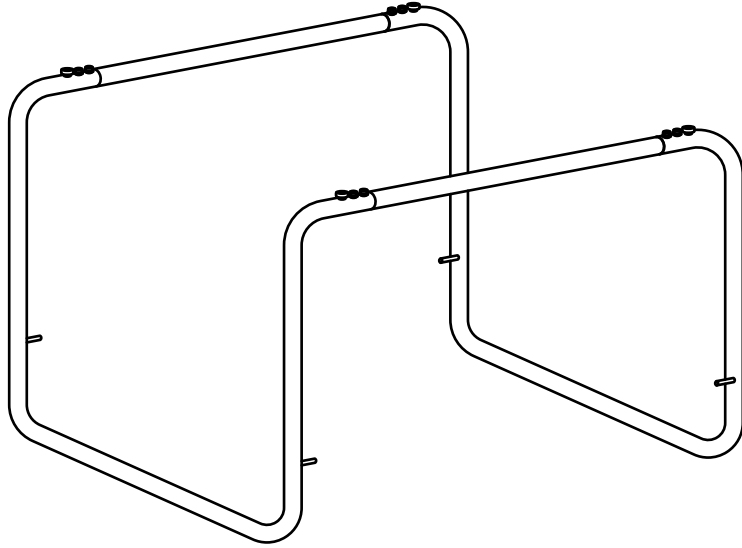
1



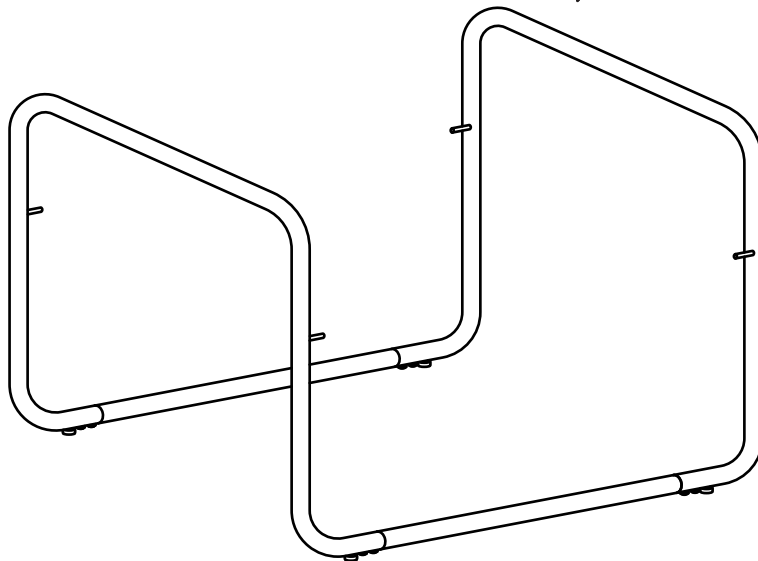
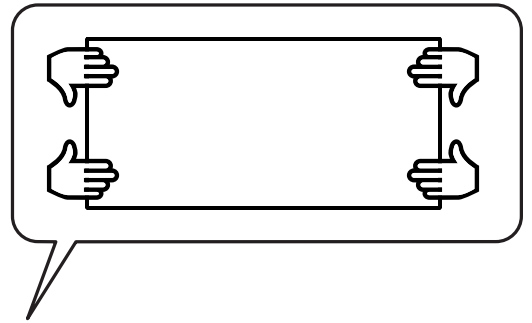
2



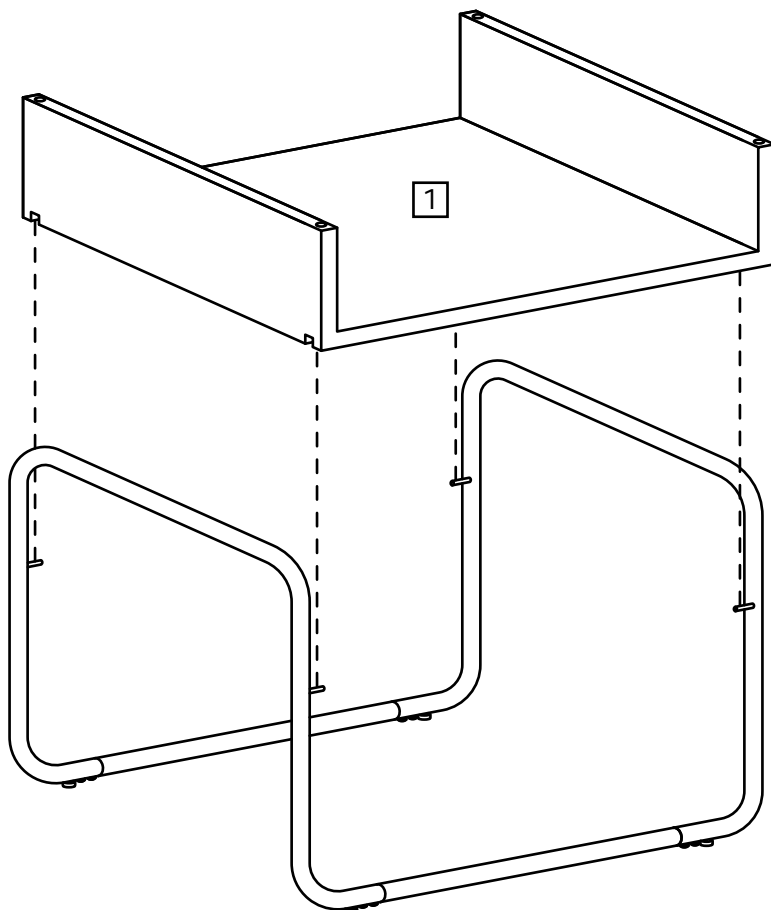
3



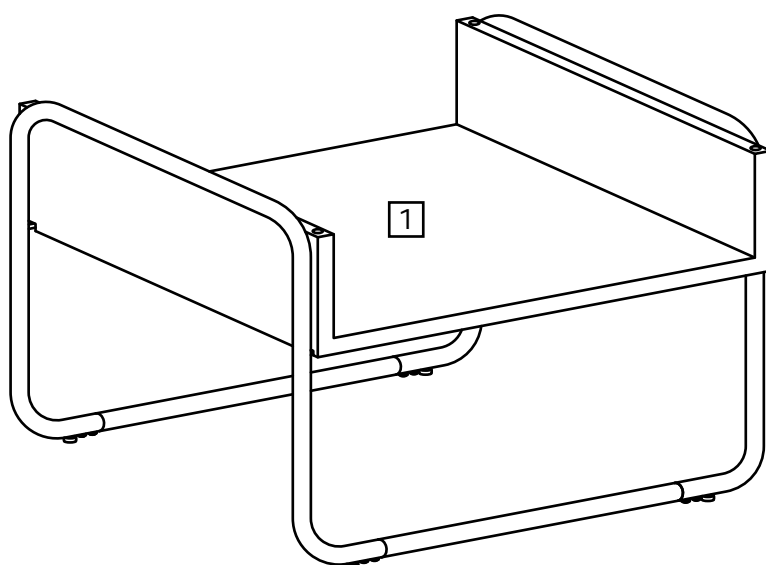
4



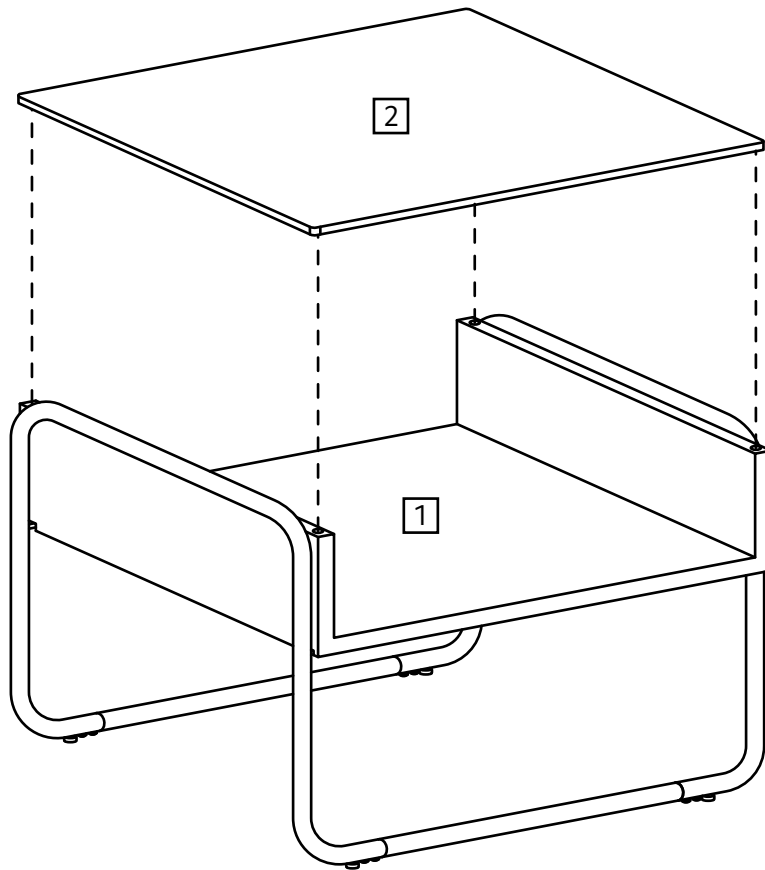
5



6



7



8

