

**Series 4, Washing machine, front loader, 8 kg, 1400 rpm, Silver inox WAN282X2GB**



**Automatic washing machine with EcoSilence Drive™: quiet operation and durability that you can rely on.**

- **ActiveWater Plus:** For highly efficient use of water even with smaller loads thanks to automatic load detection.
- **SpeedPerfect:** perfectly clean in up to 65% less time\*.
- **Reload function:** forgot an item? Add it easily to the wash.
- **EcoSilence Drive™:** quiet and energy-efficient drive, with a 10-year warranty.
- **Hygiene Plus:** hygienic washing, effectively killing germs even at 40°.

**Technical Data**

Construction type: Free-standing  
 Door hinge: Left  
 Color / Material body: Silver inox  
 Length of electrical supply cord: 210.0 cm  
 Height for building under: 850.00 mm  
 Height of the appliance: 848 mm  
 Dimensions of the product: 848 x 598 x 550 mm  
 Wheels: No  
 Net weight: 68.9 kg  
 Drum volume: 55 l  
 Main colour of product: Silver inox  
 Door Frame: Silver-inox, black-grey  
 Connection rating: 2300 W  
 Fuse protection: 10 A  
 Voltage: 220-240 V  
 Frequency: 50 Hz  
 Energy Star Qualified: No  
 Cord Included: Yes  
 Plug type: GB plug  
 Length of supply hose (in): 59.05 "  
 Dimensions of the packed product: 33.85 x 25.59 x 25.59  
 Net weight: 152.000 lbs  
 Gross weight: 154.000 lbs  
 Length of drain hose: 150.00 cm  
 Length of supply hose: 150.00 cm  
 Dimensions of the packed product (HxWxD): 860 x 650 x 650 mm  
 Gross weight: 69.9 kg  
 Connection rating: 2300 W  
 Fuse protection: 10 A  
 Voltage: 220-240 V  
 Frequency: 50 Hz  
 Water protection system: Multiple water protection  
 Number of Options: 7  
 Maximum spin speed: 1400 rpm  
 Spin speed options: Variable  
 Digital countdown indicator: Yes  
 Energy Efficiency Class: C  
 Weighted energy consumption in kWh per 100 washing cycles of eco 40-60 programme: 62 kWh  
 Maximum capacity in kg: 8.0 kg  
 The water consumption of the eco programme in liters per cycle: 47 l  
 Duration of eco 40-60 programme in hours and mins at rated capacity: 3:26 h  
 Spin-drying efficiency class of eco 40-60 programme: B  
 Airborne acoustical noise emission class: B  
 Airborne acoustical noise emissions : 75 dB(A) re 1 pW

**Optional accessories**

WMZ2200 : Floor securing component  
 WMZ2381 : Extension for cold water inlet /Aquastop  
 WMZPW20W :



## Series 4, Washing machine, front loader, 8 kg, 1400 rpm, Silver inox WAN282X2GB

### Automatic washing machine with EcoSilence Drive™: quiet operation and durability that you can rely on.

- silver inox Edition

#### Performance

- Energy Efficiency Class<sup>1</sup>: C
- Energy<sup>2</sup> / Water<sup>3</sup>: 62 kWh / 47 litres
- Load capacity: 1 - 8 kg
- Programme duration<sup>4</sup>: 3:26 h:min
- Spin drying efficiency class: B
- Spin speed<sup>\*\*</sup>: 0 - 1400 rpm
- Noise level: 75 dB (A) re 1 pW
- Noise efficiency class: B

#### Programmes/functions

- Standard programmes: cottons, easy care, delicates, wool hand wash
- Special programmes: Down Wear, Outdoor, Shirts, Mixed Load, Super Quick 15/30, Drum clean with reminder, jeans/dark laundry, Wool/Handwash, Delicate/Silk programme

#### Key features

- Touch control buttons: Prewash, Rinse Plus, Ready in, Temperature selection, SpeedPerfect, start/pause with reload function, Spin speed reduction

#### Additional features

- Reload function: Flexibility to add or remove laundry items of any size even after start of the wash cycle.
- Large display for temperature, spin speed, remaining time, 24 hours end time delay and load recommendation
- Usage meter: counts completed programmes
- Drum volume: 55 litres
- Aqua Protection
- Fully electronic control dial for all wash and special programmes
- EcoSilence drive with 10 year warranty
- EcoSilence drive with 10 year warranty
- ActiveWater Plus: for highly efficient use of water even with smaller loads thanks to automatic load detection.
- AntiVibration Design - for more stability and quietness
- Foam detection system
- Safeguard monitoring system adjusts load distribution and programme settings to protect clothes
- No
- Buzzer to indicate the end of cycle
- Child lock
- Divider for Liquid Detergent
- Large Silver-inox, black-grey door with 180° opening and 30 cm porthole
- Metal door catch
- Reload facility

#### Technical Information

- Slide-under installation
- Dimensions (H x W): 84.8 cm x 59.8 cm
- Appliance depth: 55.0 cm
- Appliance depth incl. door: 60.0 cm
- Appliance depth with open door: 101.7 cm

<sup>1</sup> Scale of Energy Efficiency Classes from A to G

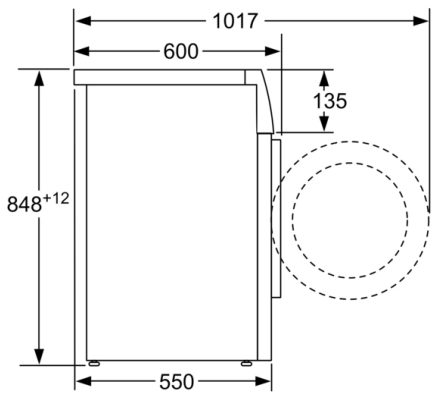
<sup>2</sup> Energy consumption in kWh per 100 cycles (in programme Eco 40-60)

<sup>3</sup> Weighted water consumption in litres per cycle (in programme Eco 40-60)

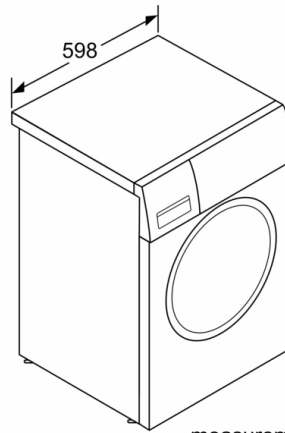
<sup>4</sup> Duration of Eco 40-60 programme

<sup>\*\*</sup> Values are rounded.

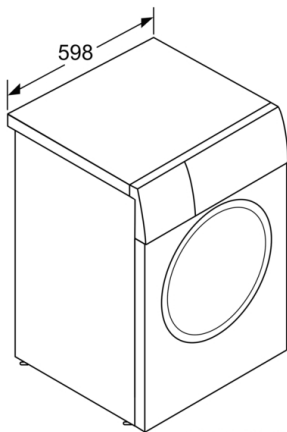
**Series 4, Washing machine, front loader, 8 kg, 1400 rpm, Silver inox  
WAN282X2GB**



measurements in mm



measurements in mm



measurements in mm