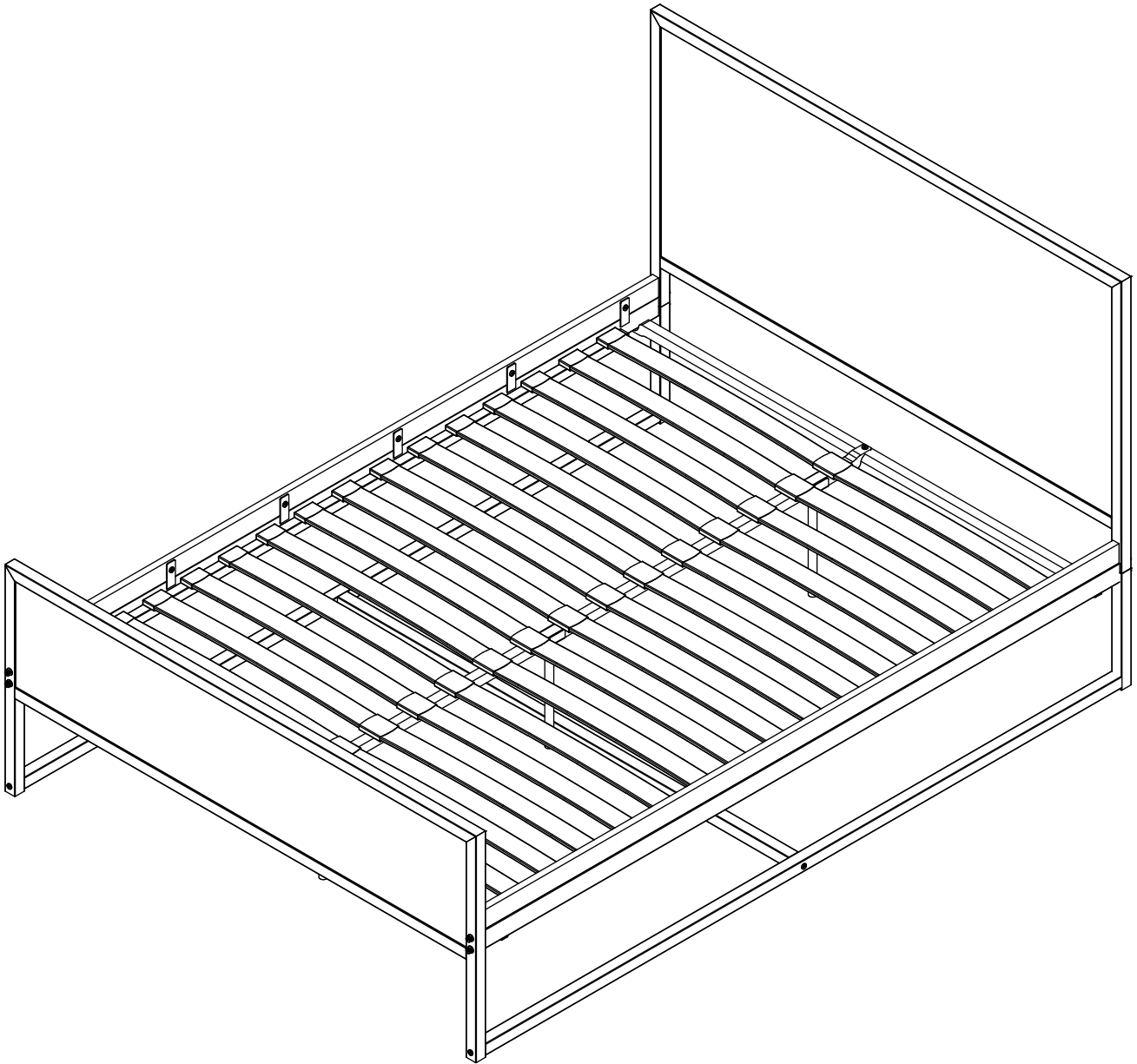


Loft Living habitat


Double



Spare Parts

-  www.argos-support.co.uk
-  Help@ClickSpares.co.uk
-  0370 112 1928

Customer Support

-  0345 640 2020

Safety and Care Advice

Product Details

Loft Living Double 4656845

IMPORTANT, RETAIN FOR FUTURE REFERENCE: READ CAREFULLY.

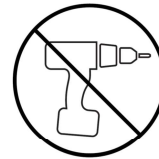
- Keep children and animals away from the work area, small parts could choke if swallowed.

- Make sure you have enough space to layout the parts before starting.

- This product has been constructed to be used in the domestic environment only and not for commercial purposes.

- Assemble the item as close to its final position (in the same room) as possible.

- Assemble on a soft level surface to avoid damaging the unit or your floor.



- We do not recommend the use of power drill/drivers for inserting screws as this could damage the unit. Only use hand screwdrivers.

- Parts of the assembly will be easier with 2 people.

- Dispose of all packaging carefully and responsibly.

Care and maintenance

- Only clean using a damp cloth and mild detergent. Do not use abrasive cleaners.

- Use a dry cloth to clean the product, furniture polish is not recommended.

- From time to time check that there are no loose screws, nuts or bolts. If there are please re-tighten.

- This product should not be discarded with household waste. Take to your local authority waste disposal centre.

Additional Guidance

- Assemble all parts and bolts loosely during assembly, only once the product is complete should you fully tighten the bolts.

- Regularly check and ensure that all bolts and fittings are tightend properly.

- Max individual user weight 100kg

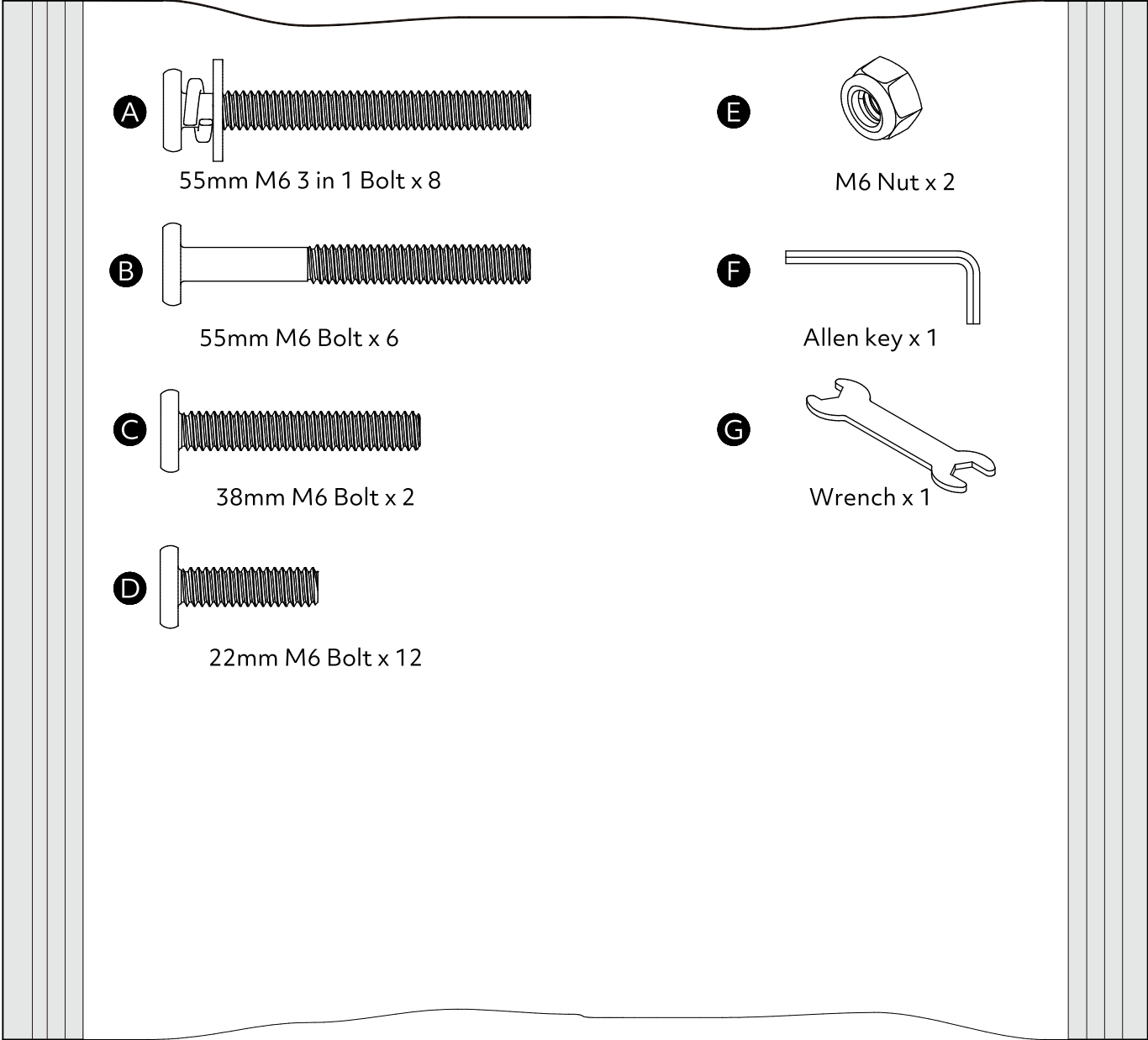
- This product complies with BS EN 1725:1998

- Any additional or replacement parts are obtained from the manufacturer.

Habitat, Argos Limited and Sainsbury's Supermarkets Ltd, London EC1N 2HT, UK. [Argos \(N.I.\) Ltd](#) and Sainsbury's (NI) Ltd. Forestside Shopping Centre, Upper Galwally, Belfast, BT8 6FX, UK

Fittings (Shown to scale)

Bag (T00013500B00)

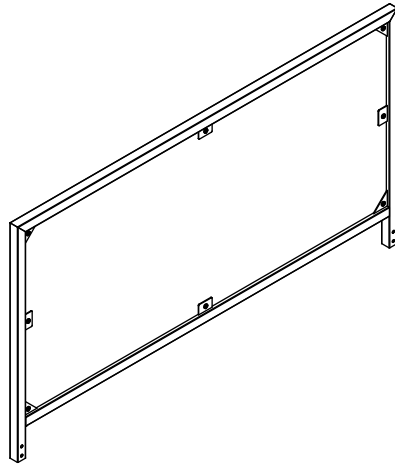


⚠ Please do not completely tighten all the hardware, until the entire assembly is complete.

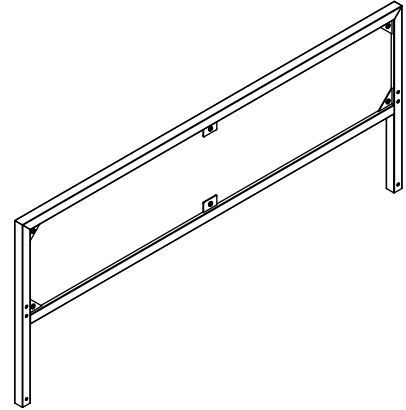
Panels



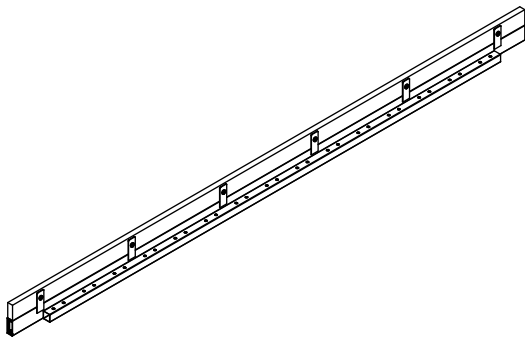
1 Post 01 x2
(364mm)



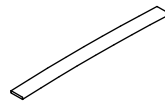
5 Headboard x1
(1420x762)



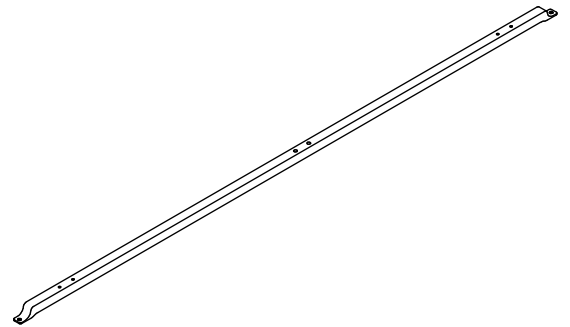
6 Footboard x1
(1420x591)



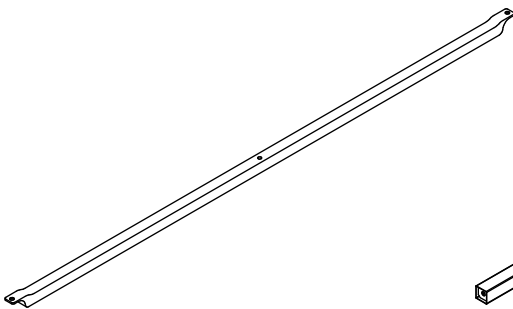
8 Side Rail x2
(1916mm)



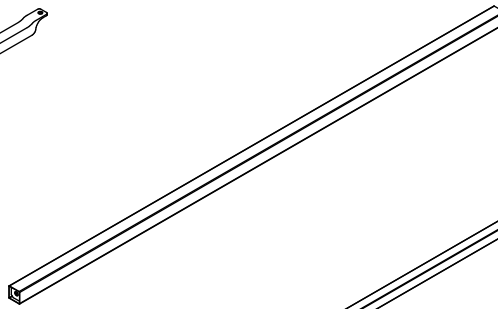
14 Wood Slat x 30
(682.5mm)



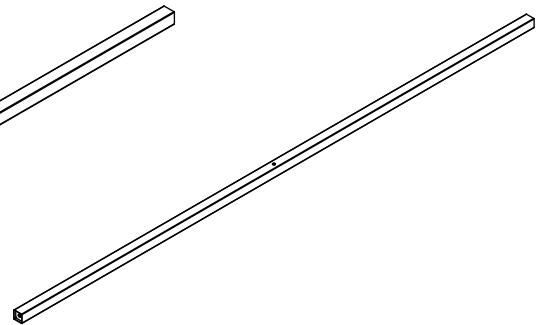
17 Brace 01 x 1
(1809mm)



18 Brace 02 x 2
(1409mm)

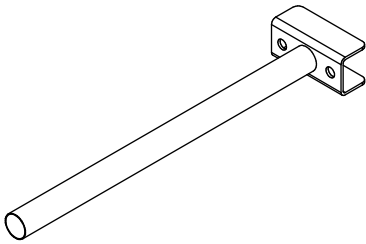


18a Brace 03 x 1
(1360mm)

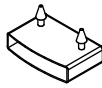


19 Brace 04 x 2
(1916mm)

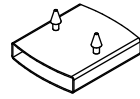
Panels



21 Leg x3
(290mm)

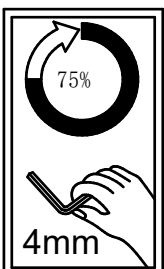
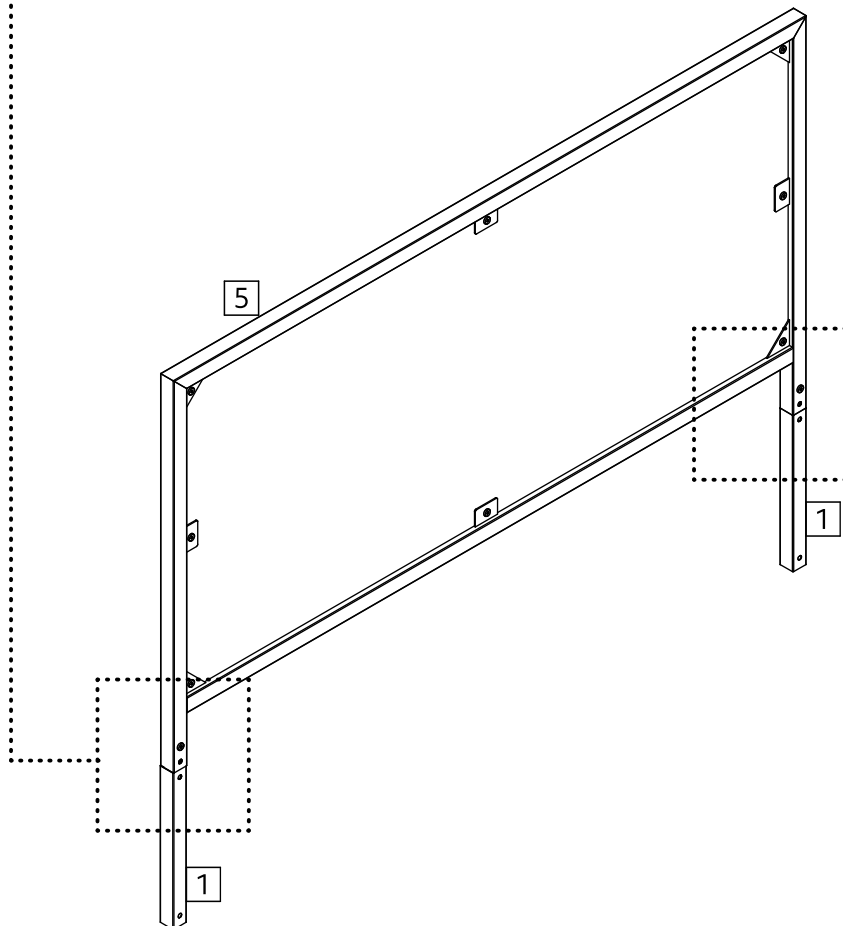
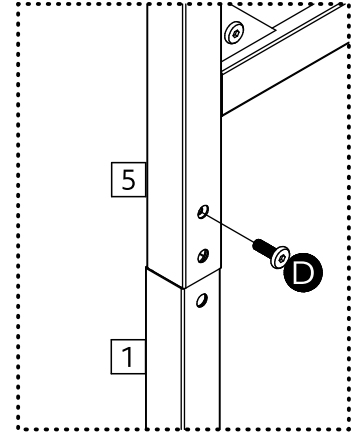
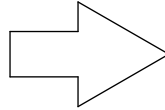
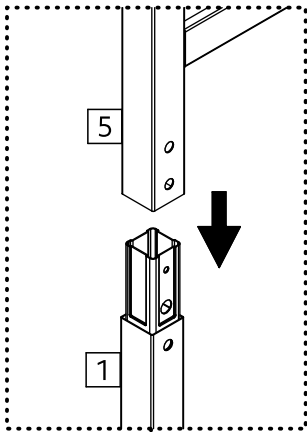
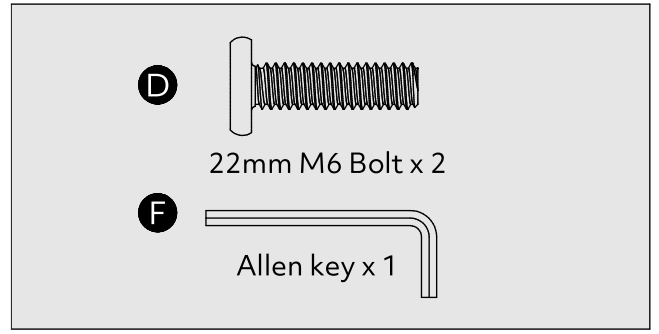
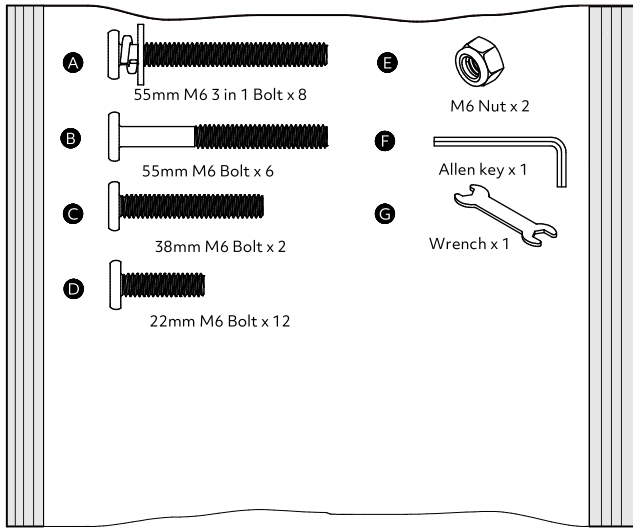


37 End Connector x 30

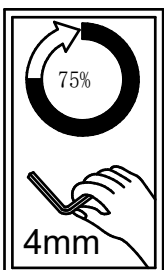
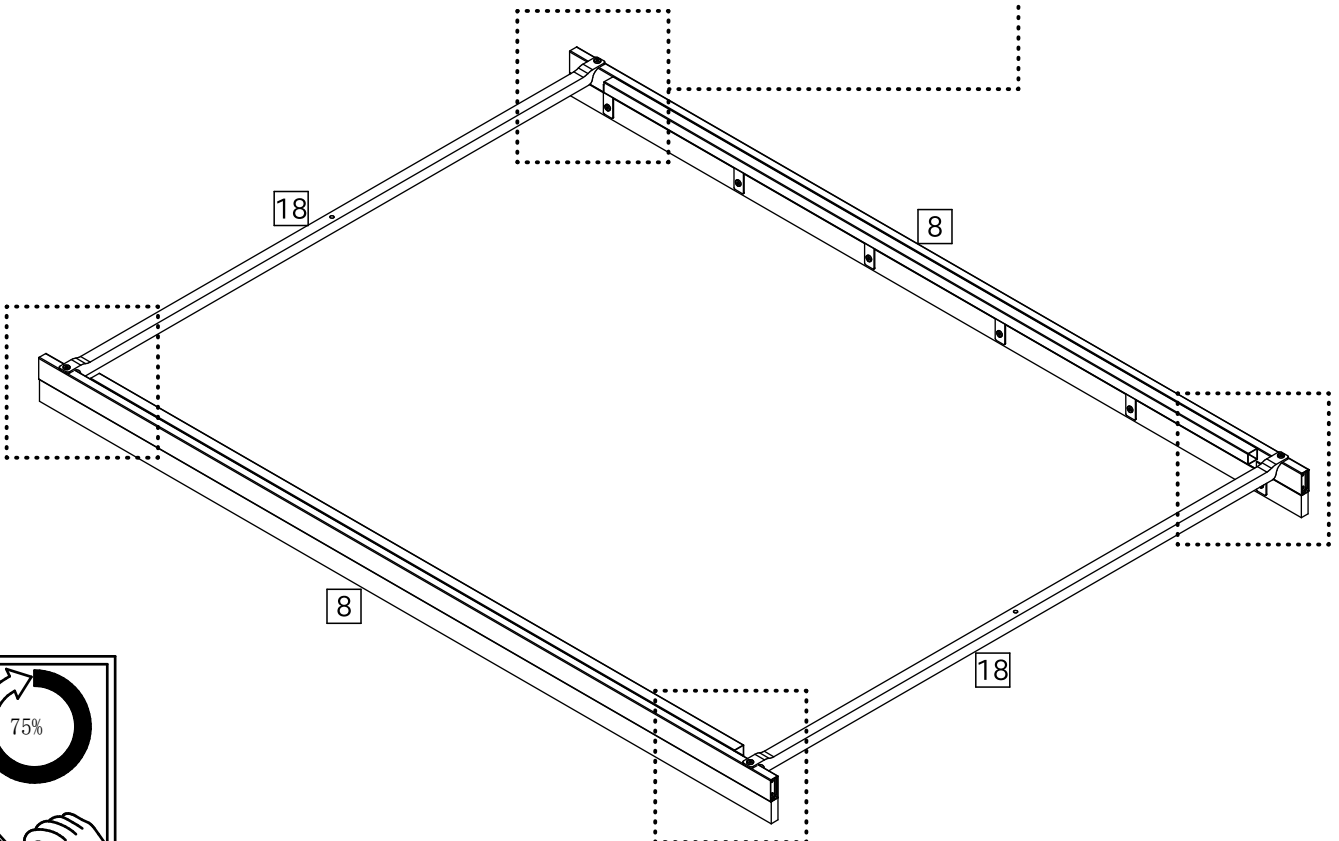
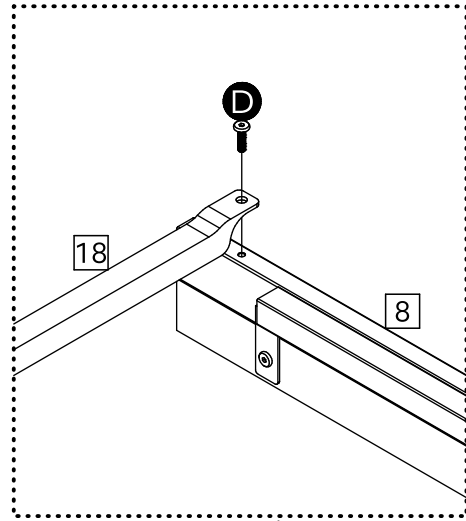
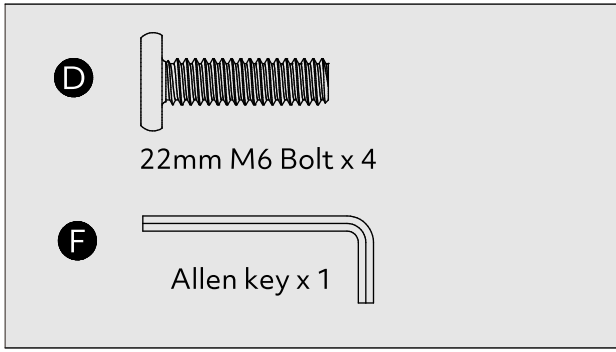


38 Center Connector x15

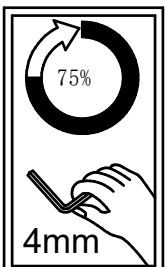
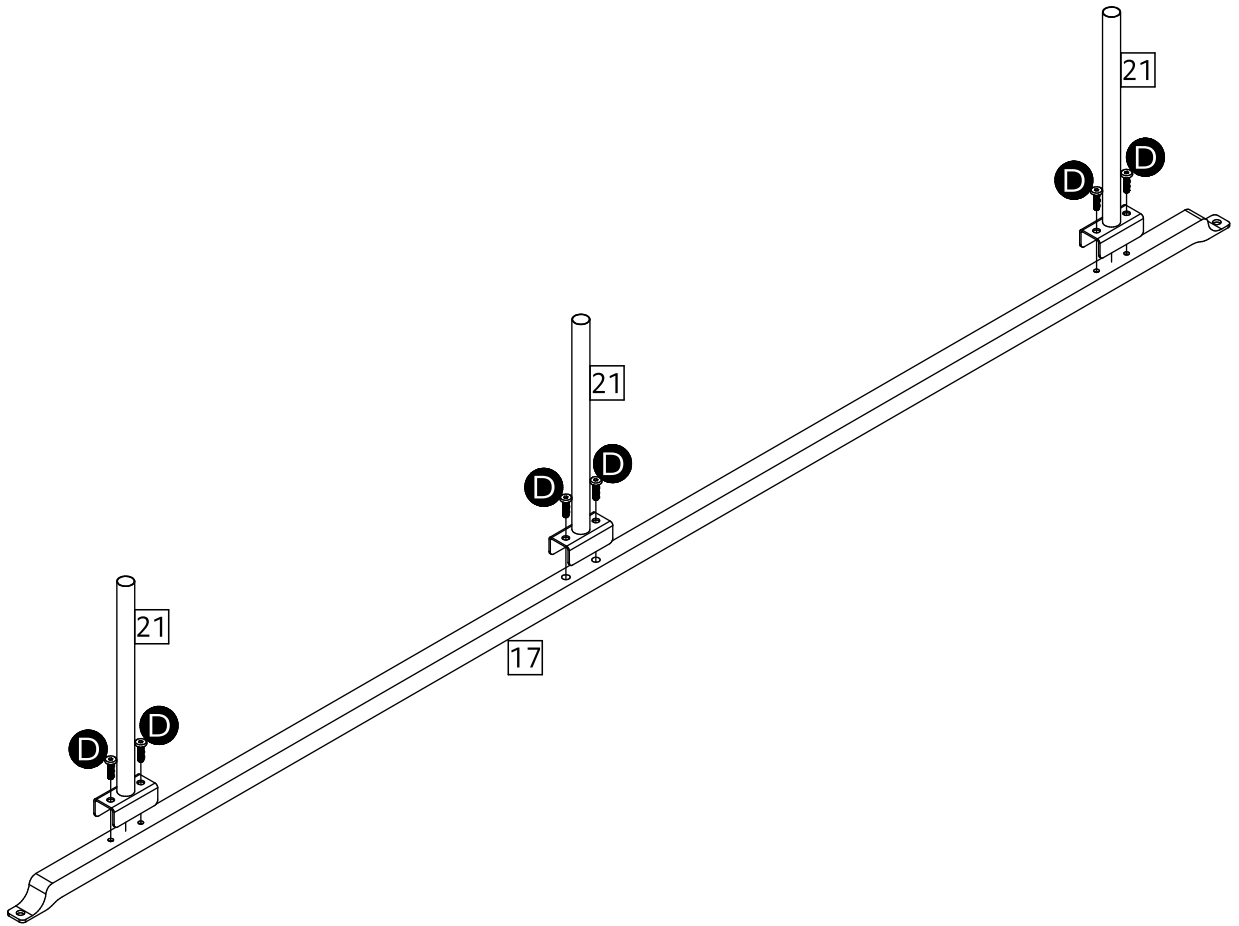
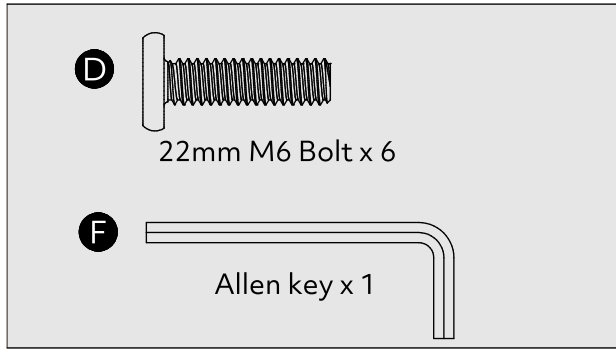
1



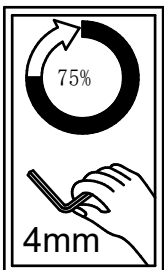
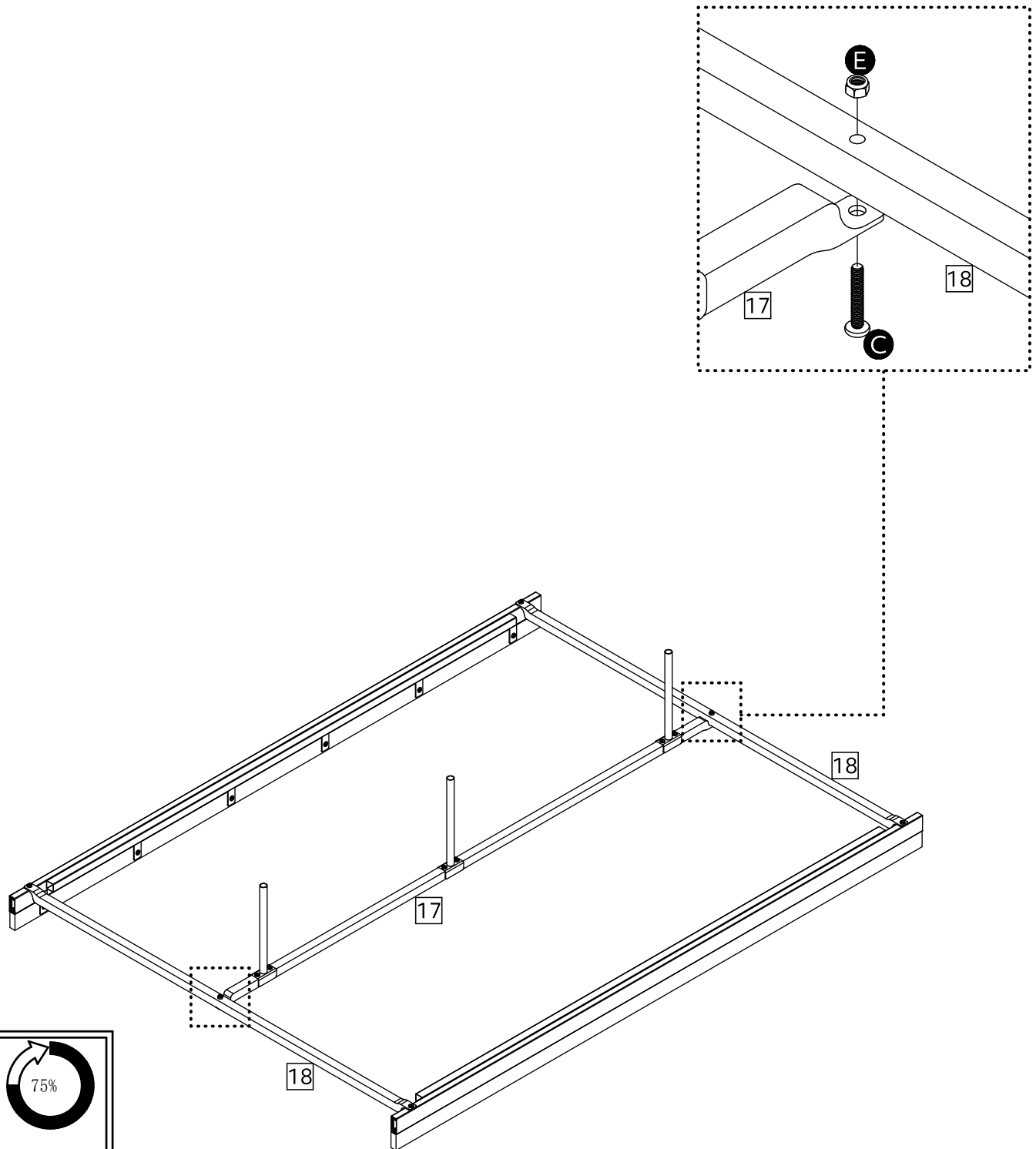
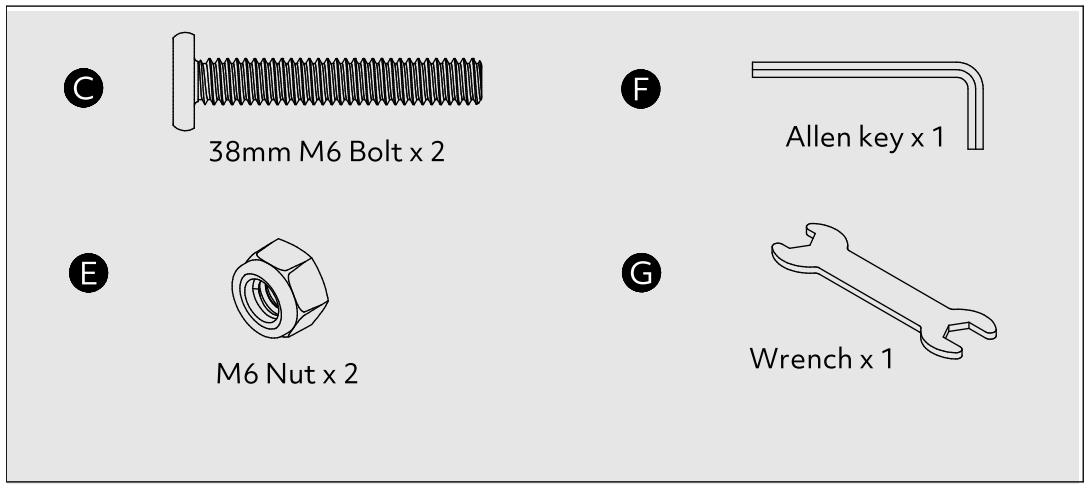
2



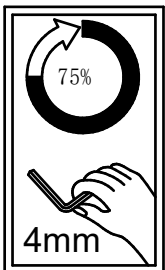
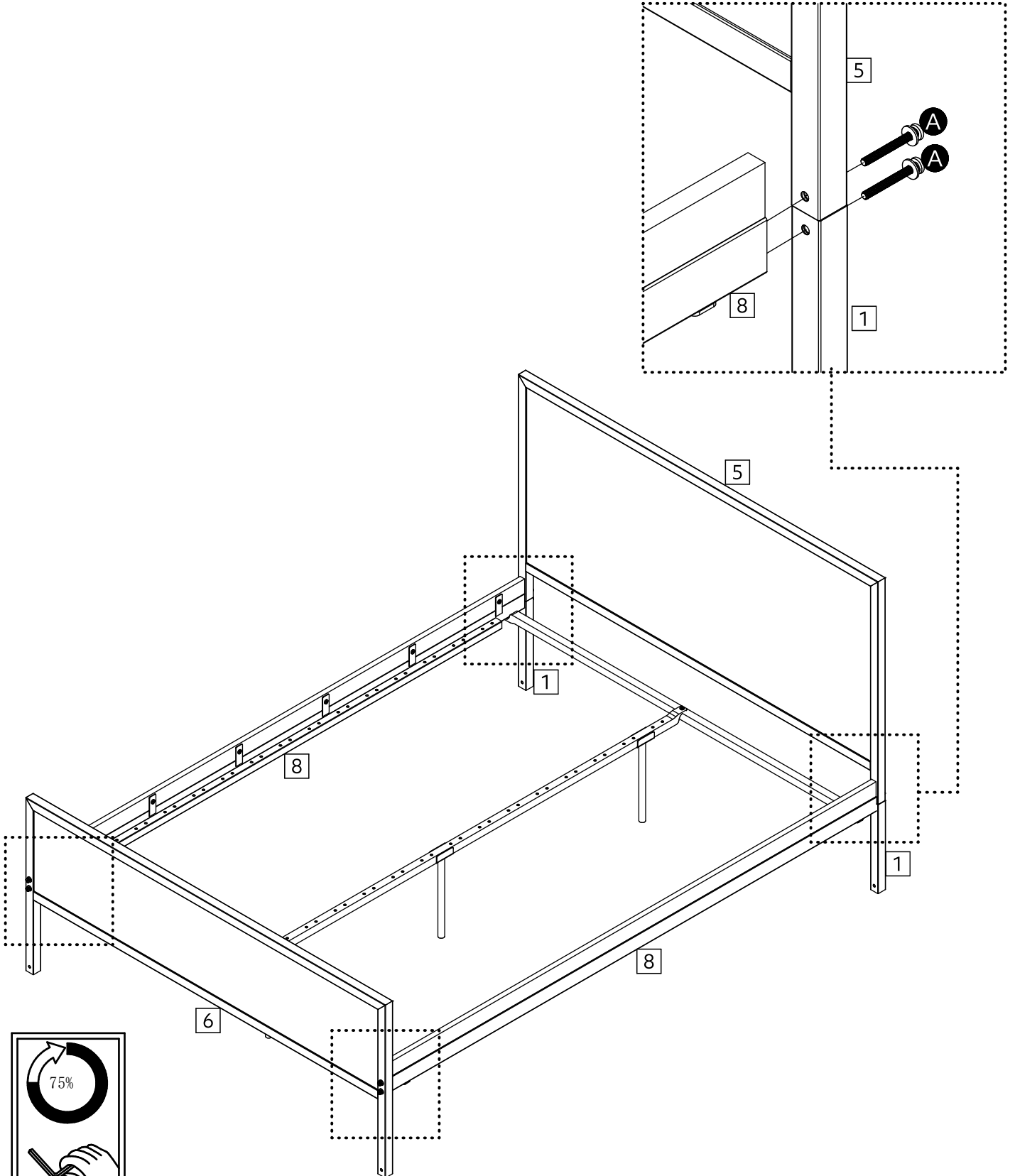
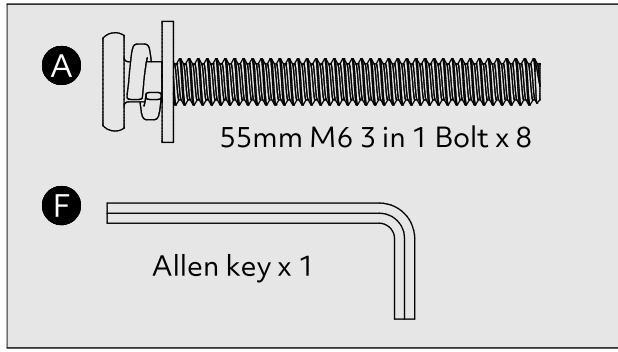
3



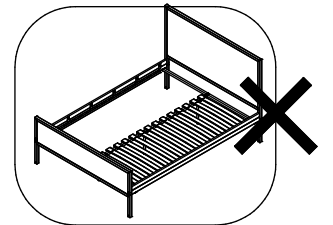
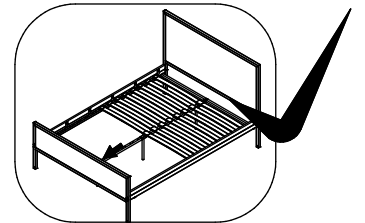
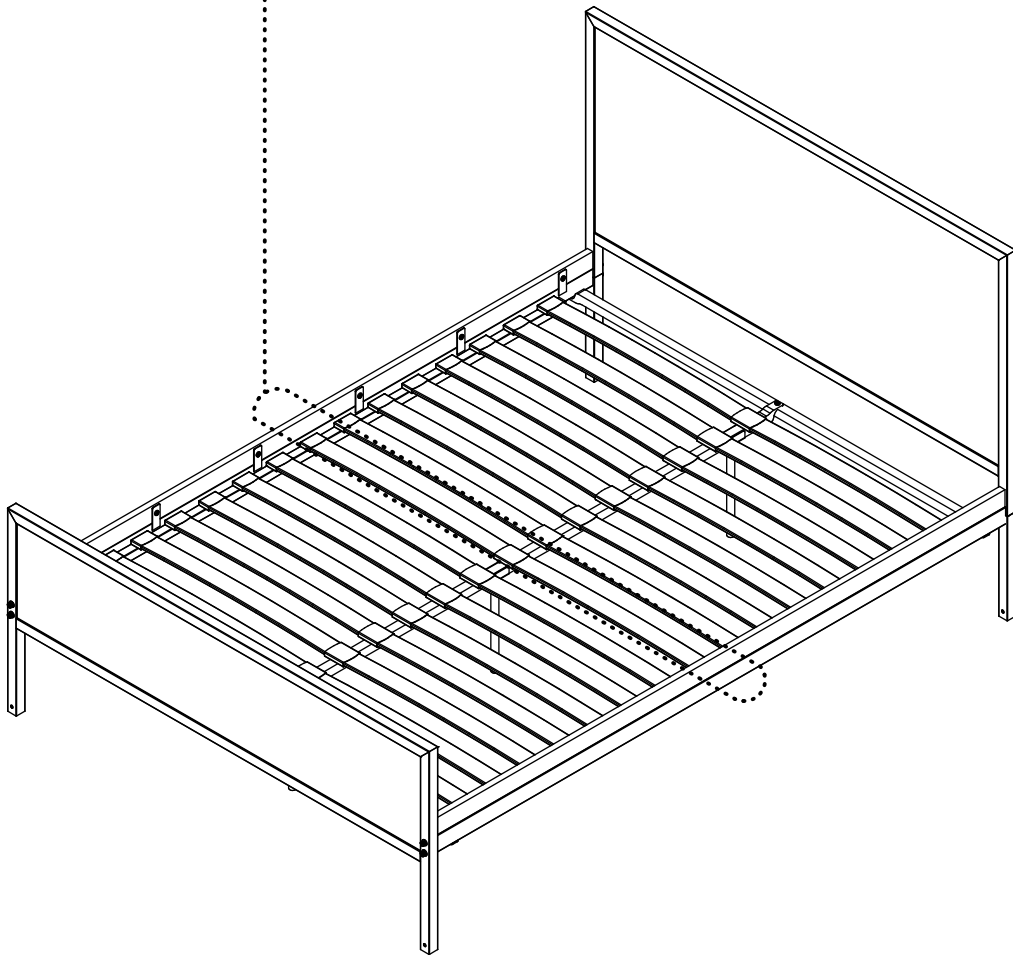
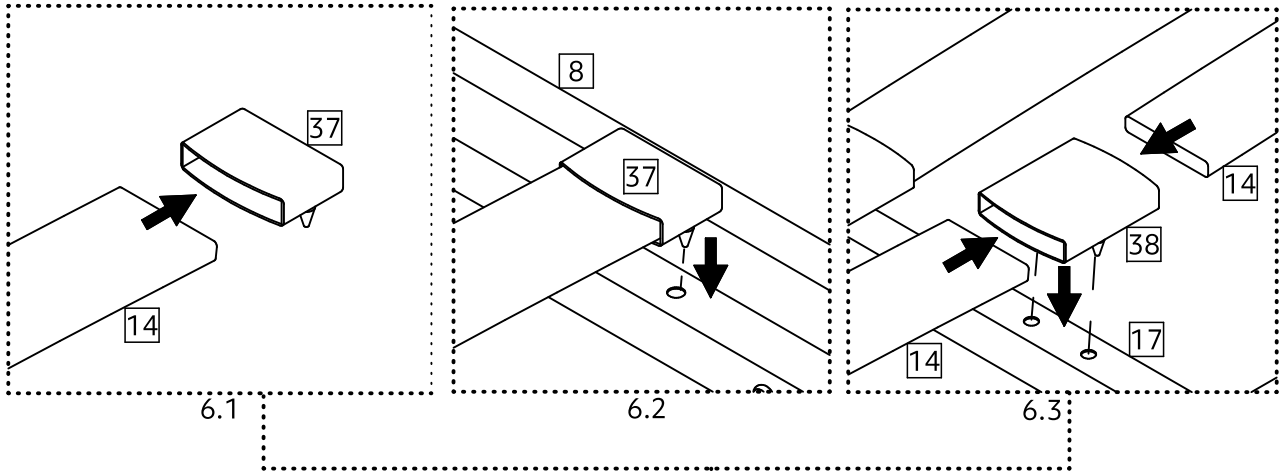
4



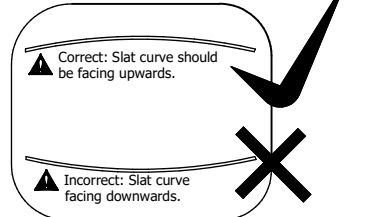
5



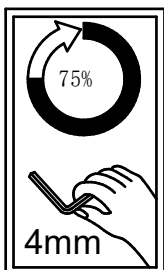
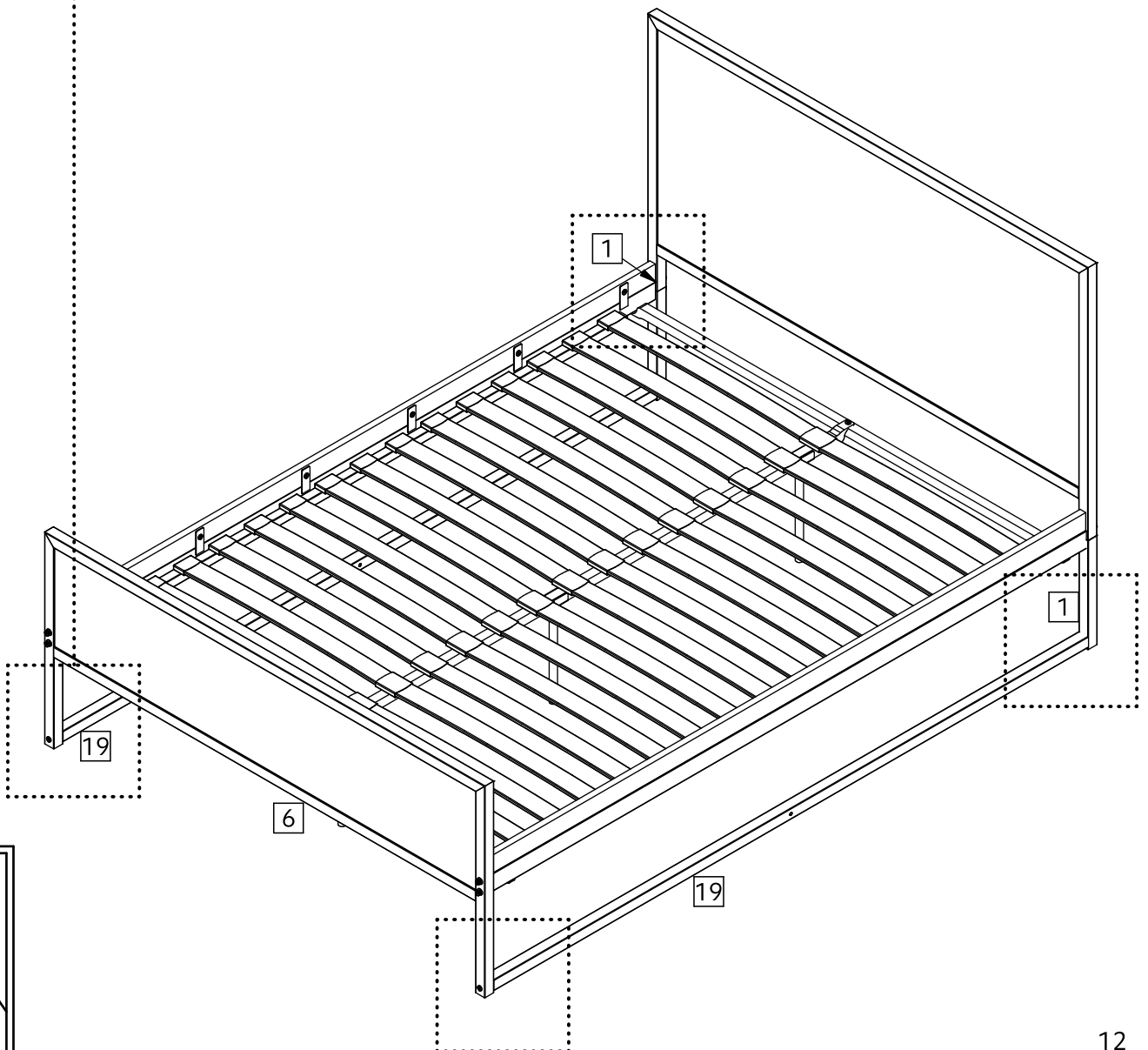
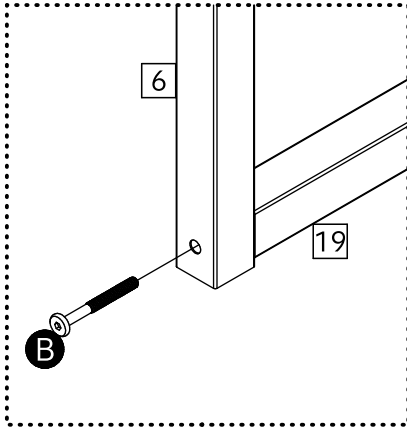
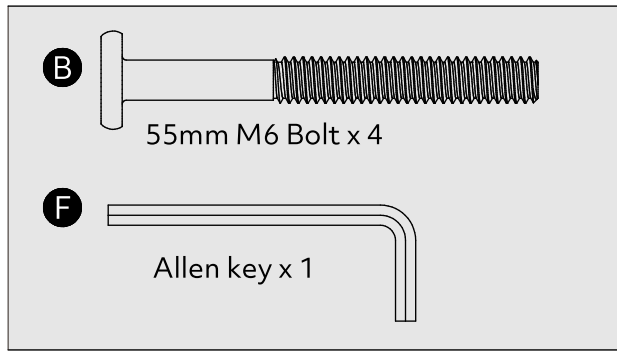
6



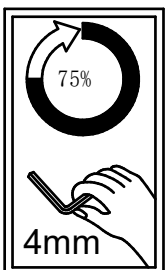
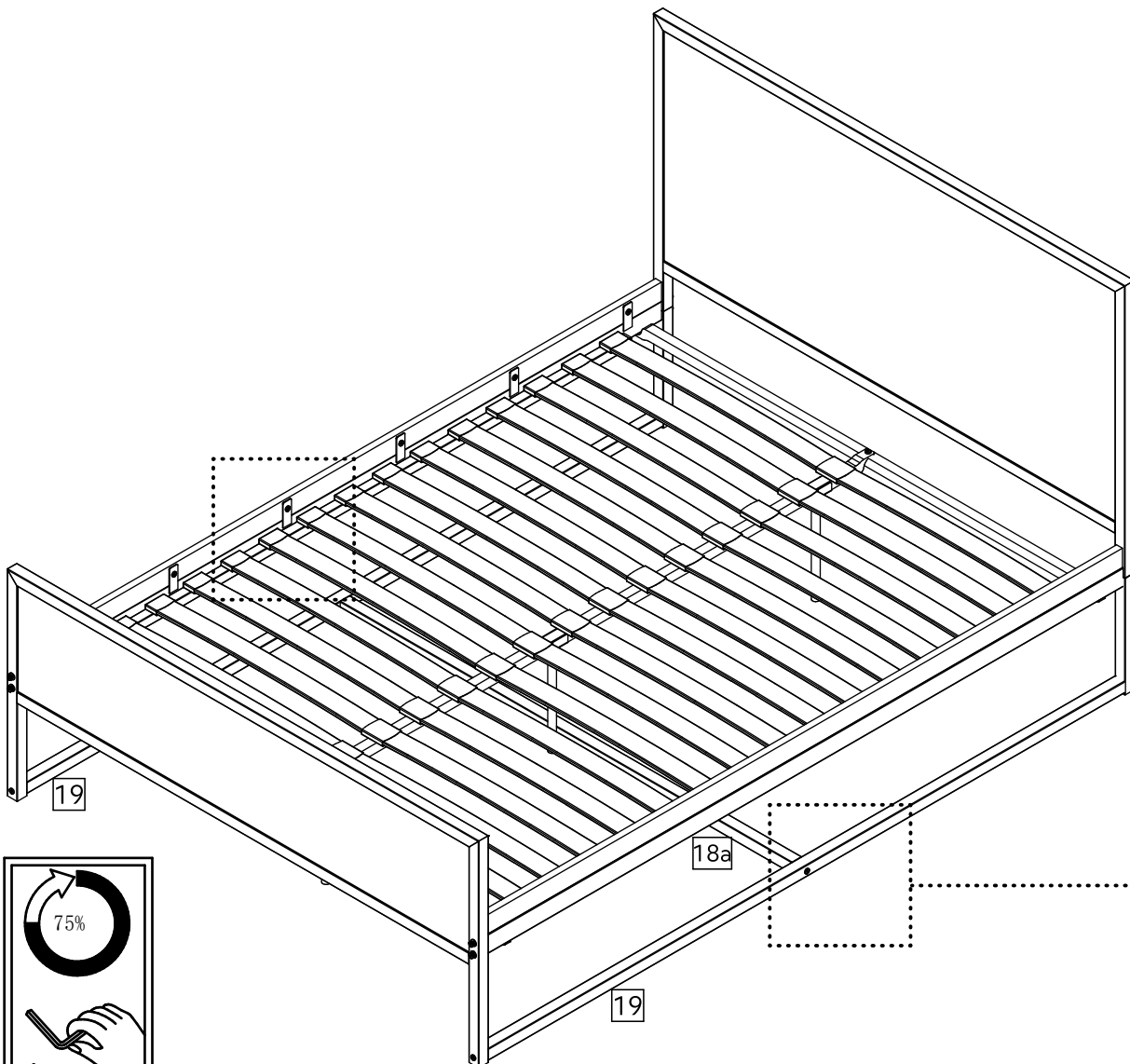
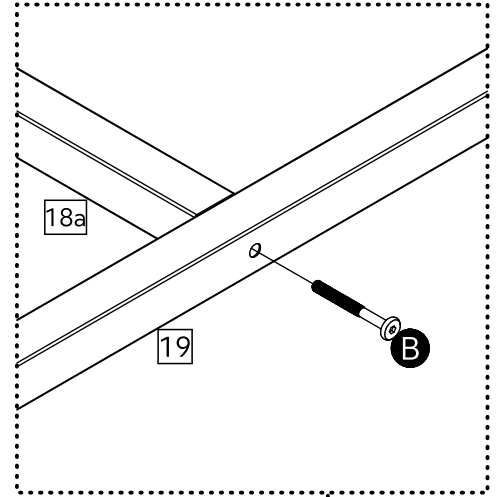
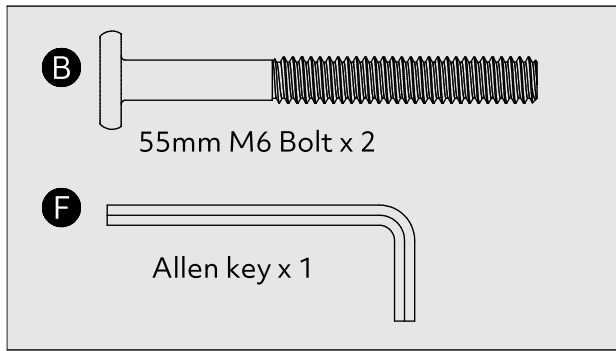
SLAT WARNING



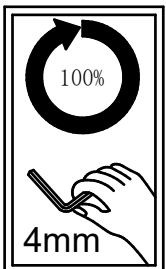
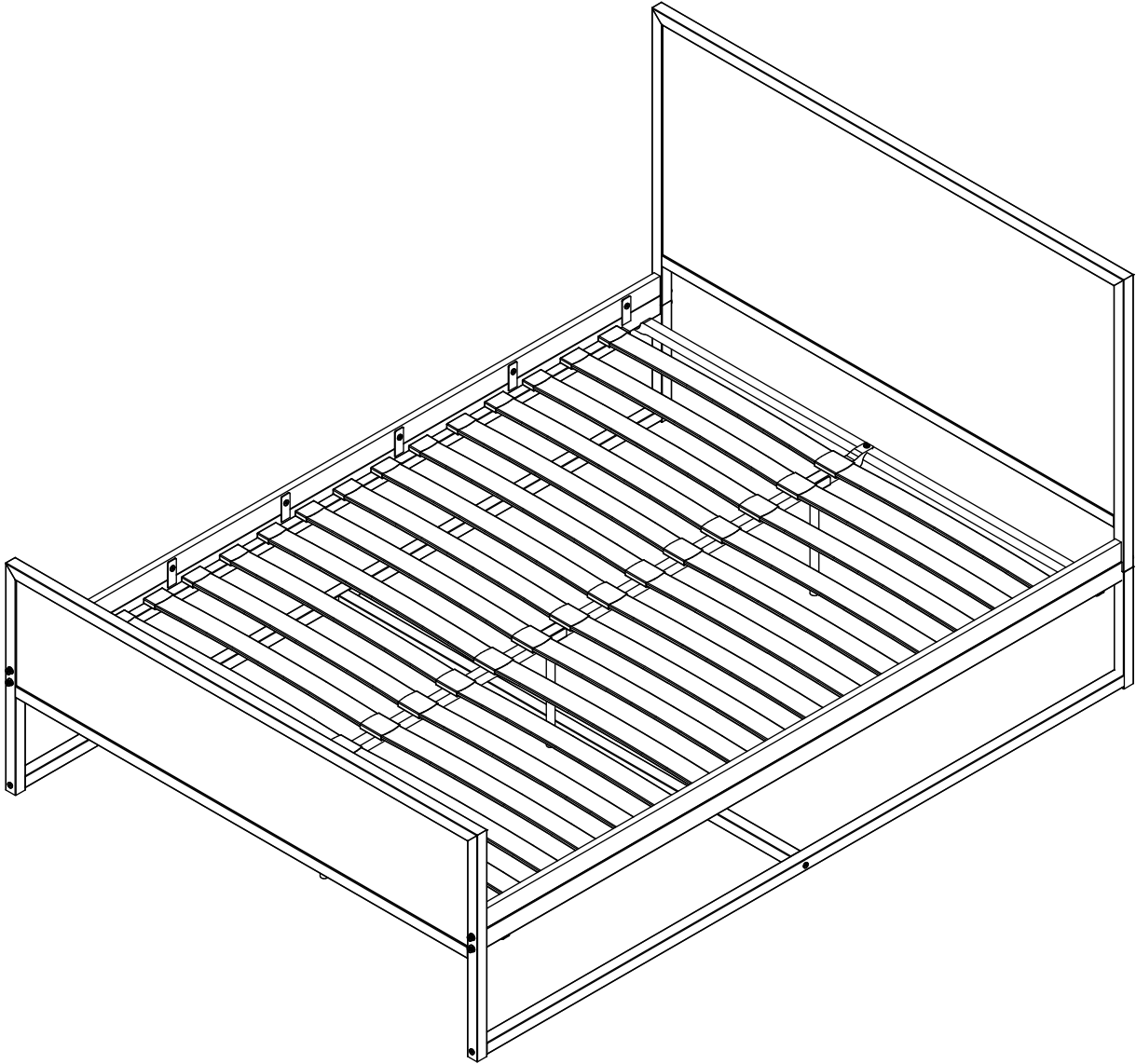
7



8



9



Assembly is complete
Fully tighten all the bolts to finish the assembly.