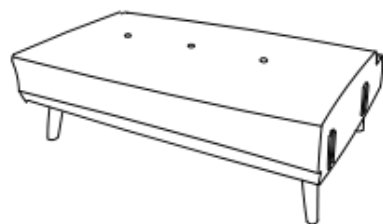
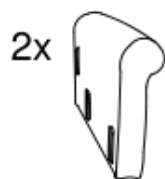


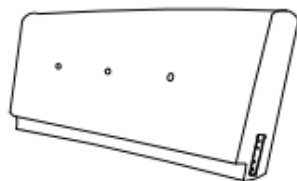
## Components



A. 1X SEAT



B. 2X ARM REST



C. 1X BACK REST

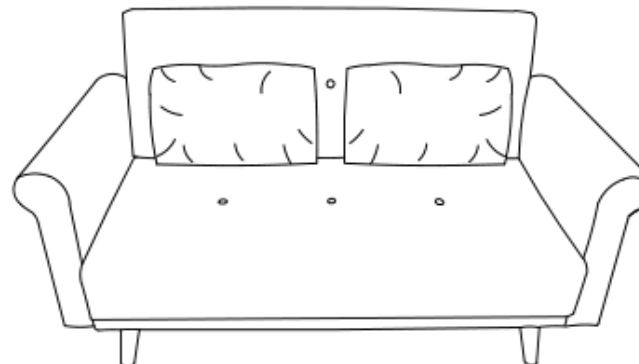


D. 2X CUSHIONS

HME SOFA IN A BOX CHARCOAL/HME SOFA IN A BOX NATURAL/SOFA IN A BOX DENIM BLUE/SOFA IN A BOX CHOCOLATE




**Simple Assembly Instructions-Please keep for future reference**

-----4642811/6099747/7198867/7245545



## Fittings

### HARDWARE LIST :

|     |   |       |
|-----|---|-------|
| E : |  | 4PCS  |
| F : |  | 1PCS  |
| G : |  | 16PCS |

**Important – Please read these instructions fully before starting assembly**

If you need help or have damaged or missing parts, call the **Customer Helpline: 0345 640 0800**

1. Read these instructions carefully and familiarise yourself with the procedure before assembling the unit.
2. Check that you have all the component parts following the list on the back cover and familiarise yourself with each part before proceeding.
3. Take all the fittings out of the plastic bag and separate them into their groups.
4. Ensure you have enough space to lay out all the parts before assembly.
5. To avoid scratching it is recommended that you assemble the unit on a soft level surface.

# Assembly Instructions

## Get the assembling materials

1. Take out the arms at the bottom of sofa seat.

See fig.1.

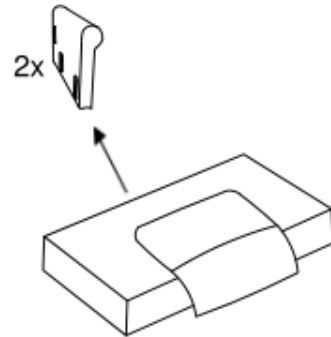


fig.1.

2. Take out the fitting for leg assembly from pack 2.

See fig.2.

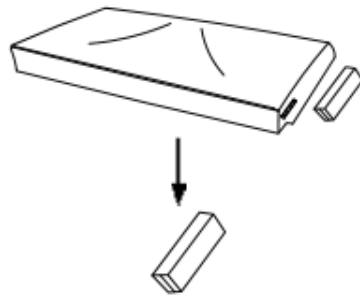


fig.2.

3. Tear the magic tape at the bottom of sofa back and take out the cushions carefully.

Please fix the magic tape to the back properly after taking out the cushions.

See fig.3.

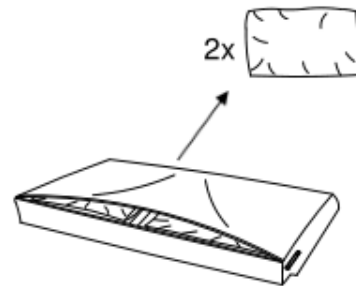


fig.3.

# Assembly Instructions

## Fitting the legs

4. Fitting the legs on the seat with correct orientation.

See fig.4.

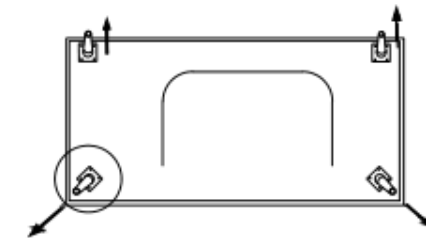
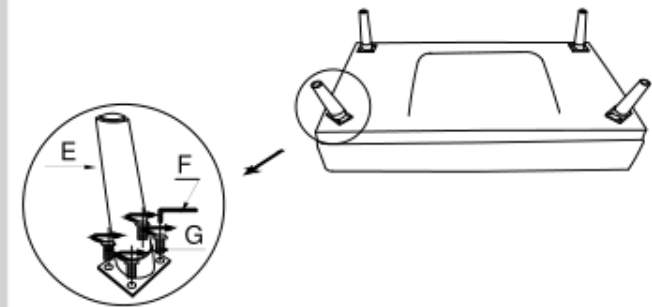
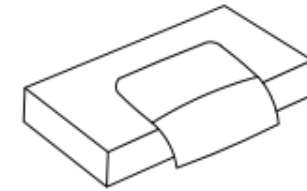


fig.4

# Assembly Instructions

# Assembly Instructions

## Assembling the sofa

**NOTE:** It would be useful to ask someone to help you at this stage.

5. Fitting the arms by connecting the inserts on the arm and seat.

See fig.5.

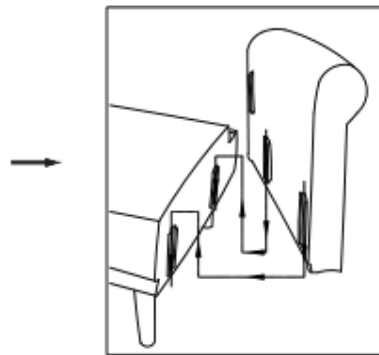
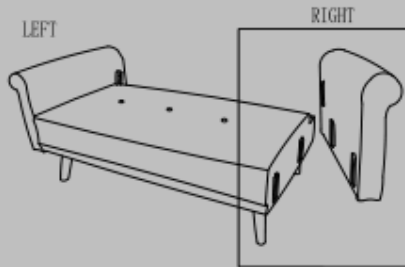


fig.5

6. Assembling the back with the seat by connecting the inserts on the arm and back.

See fig.6.

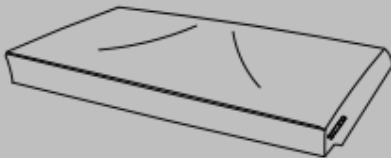


fig.6

7. Finally carefully place the unit in the desired location.

See fig.7.

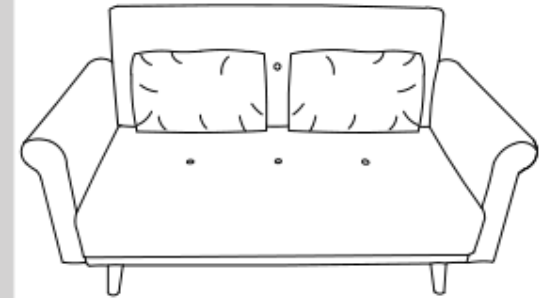


fig.7

## Care and Maintenance

### Safety

To avoid any risk of suffocation to animals or children dispose of the plastic bags immediately.

### Cleaning

As with all surfaces clean with a damp cloth and mild detergent ,do not use bleach or abrasive products.

### Fitting

From time to time please ensure there are no loose screws on the product.

If you need help or have damaged or missing parts, call the Customer Helpline:

0345 640 0800

489-499 Avebury Boulevard Milton Keynes MK9 2NW, Argos Limited