

BUSH

Instruction Manual

DS880B
363/0484
363/0934
463/4908



You'll soon be enjoying your new DAB+/FM Radio

It all begins here, with your instructions. Don't worry, there's nothing too technical coming up. Just simple, step-by-step guidance to get you up and running quickly. Sound good? Then let's get started.

Help and Guidance

We're here to help you get the most from DAB+/FM Radio. Should you require any guidance, a simple solution can often be found online at:

bush-support.com

If you still require further assistance, call one of our experts on **0345 604 0105**.

If you require any technical guidance or find that your product is not operating as intended, a simple solution can often be found online at **bush-support.com**. If you still require further assistance, call one of our experts on **0345 604 0105**.

Contents

1 Safety information

Safety information 6

2 Getting to know your DAB+/FM Radio

Ready? Let's begin 10

Unpacking 10

Product overview 11

3 Using your DAB+/FM Radio

Power source 15

General operation 15

System settings 16

DAB operation 19

FM operation 21

Bluetooth® operation 22

Using earphones 22

4 Other information

Specifications 25

5 Product support

Help and assistance 28

Disposal 29

Guarantee 30

Safety information **1**



Safety information

Important - Please read these instructions fully before installing or operating

SAFETY PRECAUTIONS

- Read all the instructions carefully before using the unit and keep them for future reference.
- Check that the voltage marked on the rating label matches your mains voltage.
- The unit must be placed on a flat stable surface and should not be subjected to vibrations.
- Do not place the unit on sloped or unstable surfaces as the unit may fall off or tip over.
- The mains socket must be located near the unit and should be easily accessible.
- Avoid extreme degrees of temperature, either hot or cold. Place the unit well away from heat sources such as radiators or gas/electric fires. Avoid exposure to direct sunlight and other sources of heat.
- Never place any type of candle or naked flame on the top of or near the unit.
- To reduce the risk of fire, electric shock or product damage, do not expose this unit to rain, moisture, dripping or splashing. No objects filled with liquids, such as vases, should be placed on the unit.
- If you spill any liquid into the unit, it can cause serious damage. Switch it off at the mains immediately. Withdraw the mains plug and consult your dealer.
- To prevent the risk of electric shock or fire hazard due to overheating, ensure that curtains and other materials do not obstruct the ventilation vents.
- Do not install or place this unit in a bookcase, built-in cabinet or in another confined space. Ensure that a minimum of 10cm is kept clear around the apparatus for ventilation.

Interference

- Do not place the unit on or near appliances which may cause electromagnetic interference. If you do, it may adversely affect the operating performance of the unit, and cause a distorted sound.

Supervision

- Children should be supervised to ensure that they do not play with the unit.
- Never let anyone especially children push anything into the holes, slots or any other openings in the case - this could result in a fatal electric shock.

Service/Maintenance

- To reduce the risk of electric shock, do not remove screws. The unit does not contain any user serviceable parts. Please leave all maintenance work to qualified personnel.
- Do not open any fixed covers as this may expose dangerous voltages.
- Ensure to unplug the unit from the mains socket before cleaning.
- Do not use any type of abrasive pad or abrasive cleaning solutions as these may damage the unit's surface.
- Do not use liquids to clean the unit.

Risks associated with high volume

If you are listening to the device through headphones, always turn down the volume before putting on the headphones. With the headphones in the correct position, increase the volume to the desired level. To avoid possible hearing loss, do not listen at high volume for long periods of time.





Safety information

Important - Please read these instructions fully before installing or operating



The symbol indicates DC voltage



The symbol indicates polarity of DC power connector



The symbol indicates AC voltage



The symbol indicates class II equipment



For indoor use only



RECYCLING This product bears the selective sorting symbol for Waste Electrical and Electronic Equipment (WEEE). This means that this product must be handled pursuant to European Directive 2012/19/EU in order to be recycled or dismantled to minimize its impact on the environment. The user must either take this product to a competent recycling organization or to the retailer when they buy a replacement product.

CAUTION

The battery must only be replaced by a qualified person. There is a risk of explosion if an incorrect battery is installed.

WARNING

When running this equipment using mains electricity the plug must be easily accessible at all times, in order to be able to quickly disconnect.

Don't place the battery into fire or a hot oven, or mechanically crush or cut the battery.

Don't leave the battery in any extremely high temperature environment

Don't subject the battery to extremely low air pressure.

Getting to know your DAB+/FM Radio

2

Getting to know your DAB+/FM Radio

You'll be up and running in no time

Ready? Let's begin...

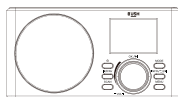
Please read these instructions carefully. They contain important information which will help you get the best from your product and ensure safe and correct installation and operation.

If you require any further assistance, our technical experts are happy to help. For full details, refer to the product support section at the end of these instructions.

Unpacking

Remove all items from the packaging. Retain the packaging. If you dispose of it, please do so according to local regulations.

The following items are included:



Main Unit



Type-c Cable



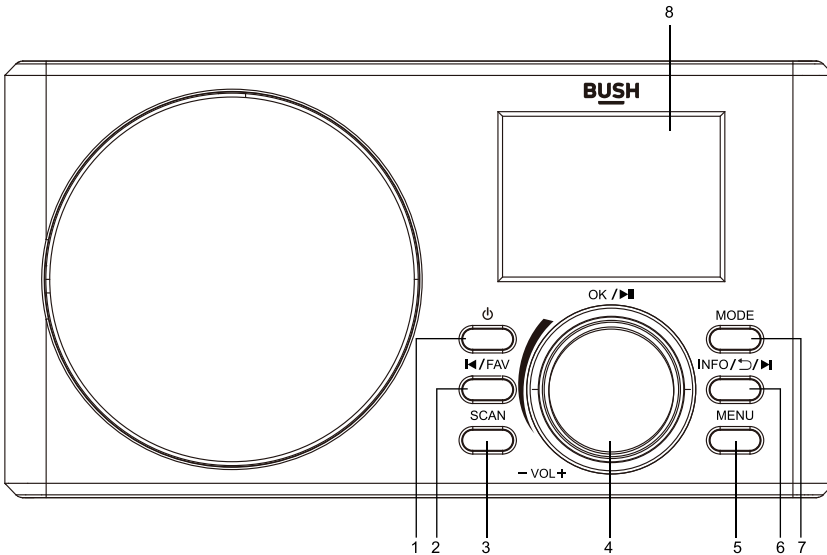
Instruction Manual

Getting to know your DAB+/FM Radio

You'll be up and running in no time

Product overview

Front view

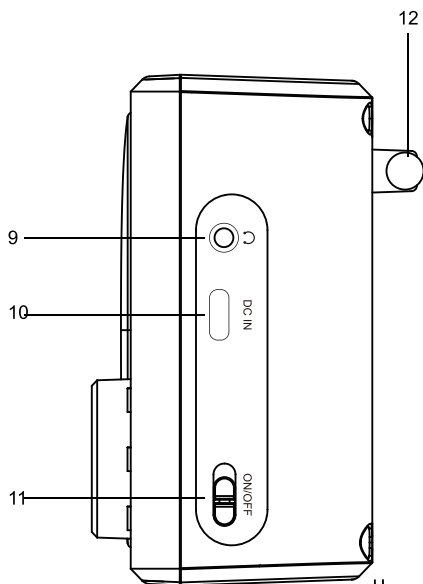


- | | |
|-------------------------|-----------------------------|
| 1. Standby button | 5. Menu |
| 2. Previous/ FAV button | 6. Info / Back/ next button |
| 3. Scan | 7. Mode button |
| 4. OK / Volume dial | 8. LCD display |

Getting to know your DAB+/FM Radio

You'll be up and running in no time

Rear view



- 9. Headphone jack
- 10. DC IN socket(Type-c)
- 11. On/Off
- 12. Antenna

Using your DAB+/FM Radio

3

Using your DAB+/FM Radio

Let's get started

Power source

Unwind the Type C cable to its full length. Connect the end of the cable to the DC IN Socket at the rear of the unit and then connect to the mains adapter to the mains socket. The unit can also run via the built-in 2000mah lithium battery.

General operation

Powering ON/OFF

When you first switch ON/OFF to ON, the display will show a clock image. If you can receive a DAB signal in your location, the unit will synchronise to the current local time.

- Press Standby button to switch the unit to ON mode.
- Press Standby button to switch the unit back to STANDBY mode.
- Switch ON/OFF to Off and disconnect the cable if you want to switch the unit off completely.



- Please turn the unit off completely to save energy when not in use.

Selecting modes

Press the Mode button to switch between Digital Radio, FM, Bluetooth modes.

Using your DAB+/FM Radio

Let's get started

Navigating the menu

1. Press the MENU button to access the menu.
2. Rotate the dial to select your choice.
3. Press the OK/Volume dial to confirm your selection.

Adjusting the volume

- Turn the volume dial to increase/decrease the volume.

System settings

Press the MENU button to access the menu and then press the OK/Volume button to select System Settings.

Sleep:

The device features a sleep timer function, which switches the radio off after a certain time if no actions have been performed up until then.

1. Rotate the dial to select either OFF-90-60-45-30-15 minutes.
2. Press the OK/Volume dial to confirm your selection.

Alarm setting

Note: Check that the radio has the correct time and date before you set an alarm.

1. Press the OK/Volume dial to use Alarm 1 or rotate the dial to access Alarm 2, press the OK/Volume dial to confirm
2. Rotate the dial to choose On or Off, press the OK/Volume dial button to confirm
3. Rotate the dial to choose Frequency: Daily, Once, Weekends or Weekdays, press the OK/Volume dial to confirm
4. Wake Up time: The hour digits for the alarm will flash, rotate the dial to choose hour and minute and press the OK/Volume dial to confirm
5. Source: Buzzer, Digital Radio or FM, rotate the dial to choose and press the OK/Volume dial to confirm. When selecting Digital Radio or FM, the radio will play the station that was last listened to as the alarm.
6. Duration: from 15, 30, 45, 60, 90, 120 mins, rotate the dial to choose and press the OK/Volume dial to confirm
7. Volume: 2- 31, rotate the dial to choose and press the OK/Volume dial to
8. To set the Alarm 2, follow the Alarm 1 instructions.

Note: Once the alarm sounds, press the OK/Volume dial to delay the alarm for another 5 mins. The radio will go to Standby mode.

To cancel a sounding alarm, or an alarm in snooze, press Power button

Using your DAB+/FM Radio

Let's get started

Equaliser

This system supports a variety of equalisers and sound effects. Under EQUALISER, you can select a default sound format or configure your own.

During System settings mode, rotate the dial to select Equaliser and then press the OK/Volume dial to confirm.

1. The equalizer options are: "Normal" – "Classic" – "Jazz" – "Pop" – "Rock" – "Speech" – "My EQ"

2. Press the OK/Volume dial to confirm. The setting will take effect immediately.

If you want to personalise the sound settings rotate the dial to select "My EQ Setup" and press the OK/Volume button to confirm. Select the levels of bass and treble you require using the rotating dial and OK/Volume button to confirm, then press the Info/Back/Next button to return to the Equaliser menu. In the Equaliser menu rotate the dial to select "My EQ" and press the OK/Volume button to confirm.

Time/Date

1. Set Time/Date

The date are displayed as DD-MM-YYYY with the first value, mm, active (flashing).

Adjust each value with the dial control. As each value is set by pressing the OK/Volume dial control, the next value becomes active ready for adjustment.

2. Auto-update (from any, from Digital Radio, from FM) or No update

Select Update from Any, from Digital Radio, or from FM.

Note that if you are updating the time from Digital Radio or FM, time will auto-update from the selected source when time information is available.

3. Set 12/24 Hour format

Allows you to change between 12 and 24 hour display.

4. Set Date Format

Allows you to change between DD-MM-YYYY to MM-DD-YYYY.

Backlight:

The display brightness can be configured to your choosing, including dimming the brightness after a pre-determined time.

1. Select Timeout to determine if the display brightness dims after a length of time. Rotate the dial to select from Off, 10 sec, 20 sec, 30 sec, 45 sec, 60 sec, 90 sec, 120 sec and 180 sec and press the OK/Volume dial to confirm.

2. Select On level to choose the display brightness during operation. Rotate the dial to select from "High", "Medium" or "Low" and press the OK/Volume dial to confirm.

3. Select Dim level to choose the display brightness after timeout. Rotate the dial to select from "High", "Medium", "Low" or "Off" and press the OK/Volume dial to confirm.

Using your DAB+/FM Radio

Let's get started

Language:

The language can be set to English, Nederlands, Deutsch or Francais. Select your preferred language and press the OK/Volume dial to confirm.

Factory reset:

Resetting the radio will delete all the tuned DAB stations and all the preset memory stations in FM and DAB modes, all alarm times, sleep timers and other personalised settings. To reset the radio:

1. Rotate the dial to select "Factory Reset" and press the OK/Volume dial to confirm.
2. The display will show "Factory Reset. All settings will be restored To factory default!. Are you sure?". Rotate the dial to select Yes and press the OK/Volume button again to reset the radio.

SW update:

Update the software in your device, for factory use only.

SW version:

Press the OK/Volume dial to view the system software version.

Using your DAB+/FM Radio

Let's get started

DAB operation

Press Mode button to switch to DAB mode.

Full scan

1. Extend the telescopic antenna for the best reception possible.
2. Switch ON/OFF to on, and press Standby button to power up the DAB Radio.
3. A full scan will automatically commence when the unit is first switched on. The unit will search for all available DAB stations. "
4. To start a scan manually, press Scan button or select Menu > Full scan. Once the scan is completed, the radio will play the first station.
5. To view a full station list, press the MENU button and use the OK/Volume button to select "Station List"

Manual tune

The manual tune menu option allows the user to select a particular channel and display the signal strength for that channel.

Display modes and station Information in DAB Mode

Press the INFO/BACK button repeatedly to show the different program information.

Time and Date: Displays the time and date information provided by the broadcaster.

Dynamic Label Segment (DLS): Displays scrolling text information supplied by the broadcaster.

PTY (Program Type): Shows the type and description of the program provided by the DAB station.

Channel and Frequency: Displays the station's transmission channel number and frequency.

Signal Strength: Displays a signal bar with the strength of the current station.

Bit Error Rate (BER): Provides details of the signal error rate.

Bit Rate: The data rate at which the signal is being transmitted

Pruning stations

When the DAB Radio has performed a scan in several locations you may find there are stored stations that you can no longer receive. This function automatically removes them from the stored station list.

1. Press the MENU button and use the dial to select Prune Invalid, then press the OK/Volume button to confirm
2. Use the dial to select Yes, then press the OK/Volume button to confirm

Using your DAB+/FM Radio

Let's get started

Dynamic Range Compression (DRC)

1. To change the DRC setting for DAB radio, press the MENU button, then use the dial to select DRC and press the OK/Volume button to confirm

2. Use the dial to select High, Low or Off and press the OK/Volume button to confirm.

Note: Radio DRC setting does not have any effect if DRC data is not included in the broadcast.

Preset / storing stations

You can store up to 20 DAB stations to the memory presets for quick and easy recall of your favourite stations.

1. To store a preset, you must first be listening to the station that you would like to save. Press and hold the Previous / FAV button. The display will show "Save to Preset <#:(Empty)>". You can select preset number (01 ~ 20) and press OK/Volume dial to confirm. The display will show "Preset # saved".

2. If you wish to overwrite a preset station; listen to the station you wish to save, then press and hold the Previous / FAV button. Rotate the OK dial and select the preset number you wish to overwrite.

3. Press the Previous / FAV button to display the stored list <#: Station name>.

Recalling stored stations

Once you have saved a station to one of the preset buttons, you can:

1. Press the Previous / FAV button and rotate the dial to highlight your desired preset station's number.

2. Press the OK/Volume dial to select a preset station number.

Using your DAB+/FM Radio

Let's get started

FM operation

Press Mode button to switch to FM mode.

Auto scan

1. Press Scan button, this will start scanning up the frequency band.
2. Once a station has been found, the scanning will stop automatically. If no station is found, then the tuning will stop once it has cycled through the entire FM band (87.5-108MHz)

Manual scan

To search FM stations manually, simply press the OK/Volume dial until "Start tune" is displayed on the screen, then rotate the dial to start scanning up/down the frequency band.

Scan setting and audio setting

1. Press the MENU button then choose Scan Setting. You can search for all stations or strong signals only.
2. Forced Mono, choose YES or NO.

Preset / storing FM stations

You can store up to 20 FM stations to the memory presets for quick and easy recall of your favourite stations.

1. To store a preset, you must first be listening to the station that you would like to save. Press and hold the Previous / FAV button. The display will show "Save to Preset <#(Empty)>". You can select preset number (01 ~ 20) and press OK/Volume dial to confirm. The display will show "Preset # saved".
2. If you wish to overwrite a preset station; listen to the station you wish to save, then press and hold the Previous / FAV button. Rotate the OK dial and select the preset number you wish to overwrite.
3. Press the Previous / FAV button to display the stored list <#: Station name>.

Recalling FM stored stations

Once you have saved a station to one of the preset number, you can:

1. Press the Previous / FAV button and rotate the dial to highlight your desired preset station's number.
2. Press the OK/Volume dial to select a preset station number.

FM display modes

This function allows information related to the current station to be shown in the display. Press Info /Back button repeatedly to scroll through the following different information:
RDS (scrolling text): the broadcaster to may included a scrolling text message about the current program. (If RDS is available)

Program type: this describes the type of the program being broadcasted.

Audio mode: the display will show if the radio station being received station is with stereo or mono sound.

Time /Date: the time and date will automatically be updated by the radio time signal (If RDS is available)

Using your DAB+/FM Radio

Let's get started

Bluetooth® operation

1. Make sure the DAB Radio has been switched ON. Press the MODE button to select Bluetooth mode, and the display will show "Bluetooth Disconnected".
2. Enable Bluetooth on your Smartphone or other active Bluetooth device and search for Bluetooth connections, select "BUSH DS880B" from the list of devices. If you are asked for a pass code enter "0000".
3. When successfully paired, the display will show "Bluetooth Connected".
4. Once you have paired the DAB Radio with a smartphone or Bluetooth device, it will remember this device and will pair automatically when the device's Bluetooth is activated and in range, you do not need to re-pair any previously connected devices under Bluetooth mode.
5. The DAB Radio will attempt to automatically connect to the last device it was paired with if Bluetooth mode is turned on. If you want to pair it with a new device, please press and hold the OK/Volume dial until the display shows "Disconnected" and then use your new device to search and select the pairing name.

Playing music via Bluetooth

You may need to adjust the volume on your radio and Bluetooth device.
Press the previous/next to select the song.



- If the signal strength is weak, your Bluetooth receiver may disconnect, but it will re-enter pairing mode automatically.
- For a better signal reception, remove the obstacles between the unit and the Bluetooth device.
- This unit supports A2DP (Advanced Audio Distribution Profile) and AVRCP (Audio Video Remote Control Profile) functions. This can only be paired with one Bluetooth device at one time.
- Compatibility with all devices and media types is not guaranteed.
- Some mobile phones with the Bluetooth function may connect and disconnect as you make and end calls. This is not an indication of a problem with your unit.

Using earphones

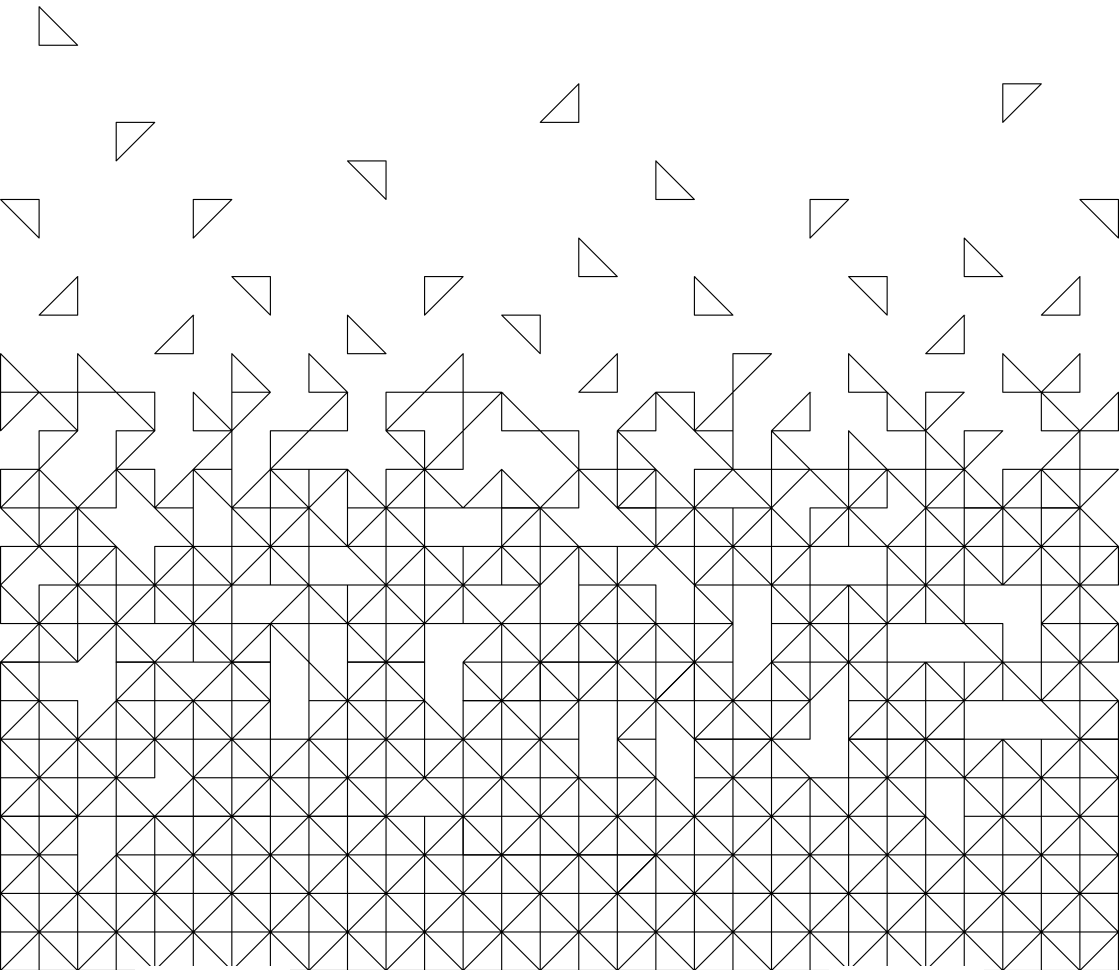
Turn down the volume before connecting the earphones (3.5mm stereo min plug) to the earphones socket.

Slowly raise the volume with the earphones on until you reach your desired volume.
When earphones are connected, the speakers automatically mute.



Long-term exposure to loud music may cause hearing damage. It is best to avoid extreme volume when using earphones, especially for extended period of time.

Other information 4



Other information

Helpful technical information

Specifications

Model	DS880B
Power Supply	DC 5V, 1A
Power Consumption	5W
Battery	2000mAh lithium battery
Speaker Output Power	3W
Working Environment-Temperature	0 ~ 40°C
Net Weight	~300g
Unit Dimension (W) x (D) x (H)	18 x 6 x 9.5cm
Radio Frequency	FM 87.5 - 108MHz DAB+ 174 - 240MHz

The audible alarm tone (beep) at maximum volume is approximately 104dB.
When using the radio function as the alarm, maximum volume is approximately 98dB

Bluetooth information

Bluetooth pairing ID : BUSH DS880B

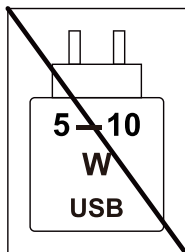
Bluetooth Profile: A2DP and AVRCP

Bluetooth Range: Max. 8M

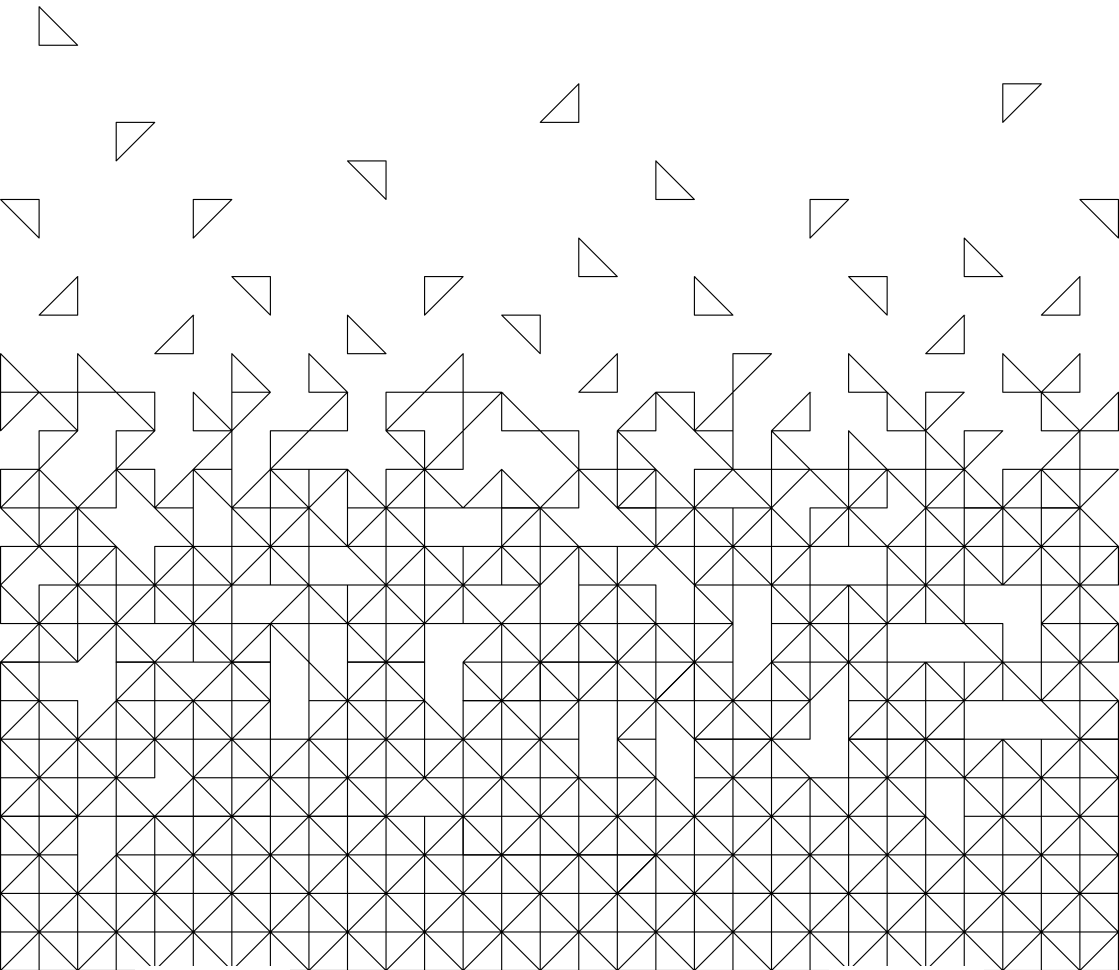
Bluetooth Version: 5.0

Frequency range: 2402Mhz - 2480Mhz

Max RF power: \leq 2dbm



Product support 5



Product support

Help is always at hand

Help and assistance

If you require any technical guidance or find that your DAB/FM Radio is not operating as intended, a simple solution can often be found online at bush-support.com

If you still require further assistance, call one of our experts on **0345 604 0105***. To help give us give you a fast and efficient service please have the following information ready:

Model Ref.

You can find these on the rating plate - a small information panel (usually a sticker or metal plate) on the rear of your product.

Serial number

Date of purchase

This will be shown on your receipt

Local call rates applies*

Line open 8am-7pm Monday to Saturday and 10am-4pm Sunday

*Calls to Argos enquiry lines may attract a charge and set up fee from residential lines depending on your call plan/tariff. Mobile and other providers costs may vary, see www.bt.com/pricing for details.

For security and training purposes, telephone calls to and from customer service centres may be recorded and monitored. Calls from Republic of Ireland will attract international call charges.



Product support

Help is always at hand

Disposal



This symbol on the product or in the instructions means that your electrical and electronic equipment should be disposed at the end of its life separately from your household waste. There are separate collection systems for recycling in the EU. For more information, please contact the local authority or your retailer where you purchased the product.

Notes for battery disposal

The batteries used with this product contain chemicals that are harmful to the environment.

To preserve our environment, dispose of used batteries according to your local laws or regulations.

Do not dispose of batteries with normal household waste.

For more information, please contact the local authority or your retailer where you purchased the product.

All trademarks are the property of their respective owners and all rights are acknowledged.

This product is intended for use within the UK. This equipment complies with the essential requirements for the Radio Equipment Directive 2014/53/EU and the Radio Equipment Regulations 2017.

Declaration of Conformance

Hereby, Argos Ltd, declares that this Band II LPD device is in compliance with the essential requirements and other relevant provisions of Radio Equipment Directive 2014/53/EU and the Radio Equipment Regulations 2017. The complete declaration of conformity can be obtained by contacting bush-support.com

Product support

Help is always at hand



Call us now and activate your 12 month guarantee

Thank you for choosing Bush. Your new product is guaranteed against faults and breakdowns for 12 months. Don't forget to register it with us today so we can provide you with our best possible after-sales service and useful updates.

www.bushregistration.co.uk

FREEPHONE*
0800 597 8548

Lines are open 8am - 8pm, 365 days a year. *Calls may be recorded and monitored.

Your Bush Guarantee

This product is guaranteed for twelve months from the date of original purchase. Any defect that arises due to faulty materials or workmanship will be repaired free of charge (or if applicable the product will be replaced or the purchase price refunded) where possible during this period by the dealer from who your purchased the unit.

The guarantee is subject to the following provisions:

- The guarantee does not cover accidental damage, misuse, cabinet parts, knobs or consumable items.
- The product must be correctly installed and operated in accordance with the instructions contained in the manual.
- It must be used solely for domestic purposes. The guarantee will be rendered invalid if the product is
 - re-sold or has been damaged by inexpert repair.
 - Specifications are subject to change without notice.
 - Bush disclaim any liability for loss or damage arising from the breakdown of the product.
 - This guarantee is in addition to and does not diminish your statutory or legal rights.

Important Data Protection Information

To find out how we and Domestic & General Insurance Plc use your data please refer to the guarantee registration material or visit www.bushregistrations.co.uk.

Guarantor: Argos Limited, London, EC1M 6HA, UK.
Argos(N.I.)Ltd, Forestside Shopping Centre, Upper Galwally, Belfast, BT8 6FX, UK

BUSH

Contact:

bush-support.com

argos.co.uk/help/contact-us

Helpline: 0345 604 0105

digitalradio

V1: 04/26