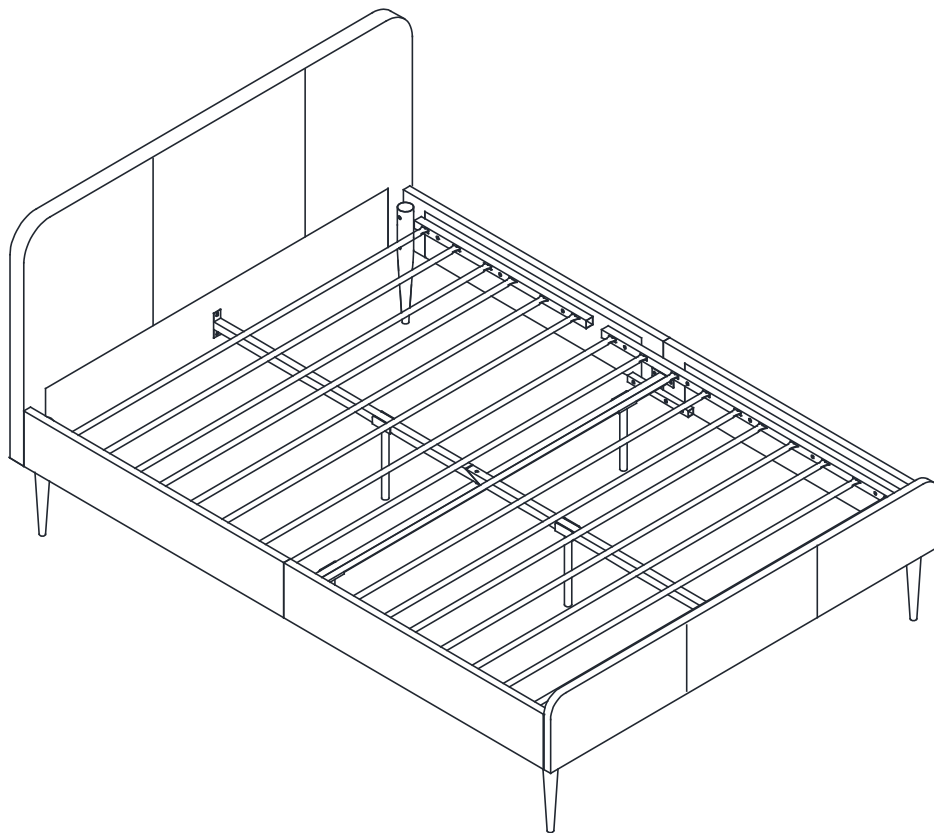



# KRISTOPHER habitat


## 4ft Bed



### Spare Parts

-  [www.argos-support.co.uk](http://www.argos-support.co.uk)
-  [Help@ClickSpares.co.uk](mailto:Help@ClickSpares.co.uk)
-  0370 112 1928

### Customer Support

-  0345 640 2020



# Safety and Care Advice

---

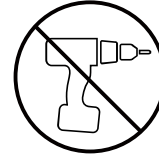
## Product Details

KRISTOPHER 4FT 5644416  
KRISTOPHER 4FT 4633167

## IMPORTANT, RETAIN FOR FUTURE REFERENCE: READ CAREFULLY.

- Keep children and animals away from the work area, small parts could choke if swallowed.
- Make sure you have enough space to layout the parts before starting.
- This product has been constructed to be used in the domestic environment only and not for commercial purposes.

- Assemble the item as close to its final position (in the same room) as possible.
- Assemble on a soft level surface to avoid damaging the unit or your floor.



- We do not recommend the use of power drill/drivers for inserting screws as this could damage the unit. Only use hand screwdrivers.
- Parts of the assembly will be easier with 2 people.
- Dispose of all packaging carefully and responsibly.

## Care and maintenance

---

- Only clean using a damp cloth and mild detergent. Do not use abrasive cleaners.
- Use a dry cloth to clean the product, furniture polish is not recommended.
- From time to time check that there are no loose screws, nuts or bolts. If there are please re-tighten.
- This product should not be discarded with household waste. Take to your local authority waste disposal centre.

## Additional Guidance

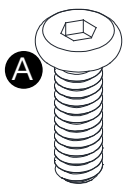
---

- Assemble all parts and bolts loosely during assembly, only once the product is complete should you fully tighten the bolts.
- Regularly check and ensure that all bolts and fittings are tightend properly.
- Maximum user weight 140kg(refer to BS EN1725)
- This product is compliant BS EN1725:1998

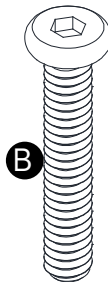
# Fittings (Shown to scale)

---

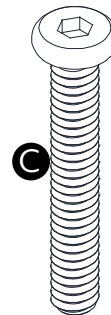
## Bag 1



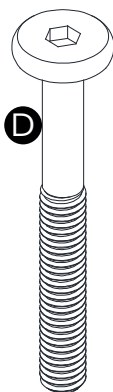
20 mm Bolt M6 x 16



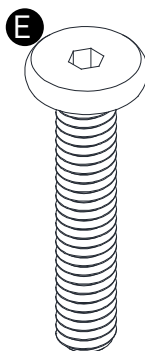
35 mm Bolt M6 x 8



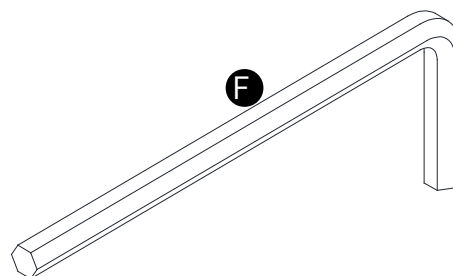
40 mm Bolt M6 x 16



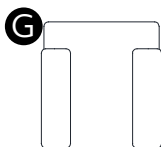
50 mm Bolt M6 x 20



40 mm Bolt M8 x 1



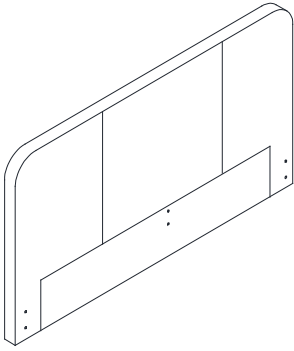
Allen Key x1



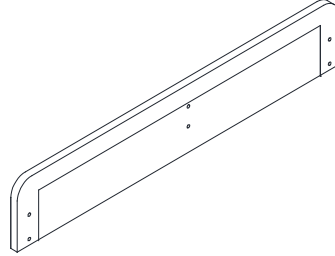
Plastic Plug x32

# Panels

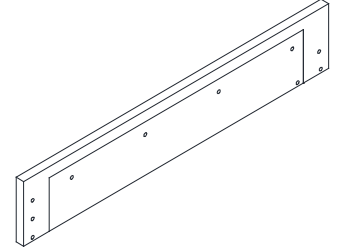
---



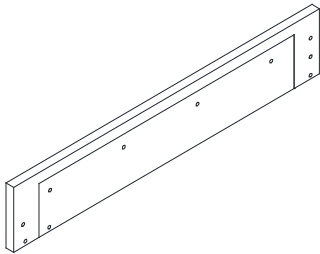
**1** Head Board  
(1260X 650 mm)



**2** Foot Board  
(1260X 210mm)



**3** Side Panel 01 x2  
(955 X150 mm)



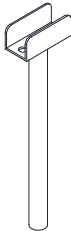
**4** Side Panel 02 x2  
(955 X150 mm)

# Hardware

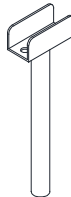
---



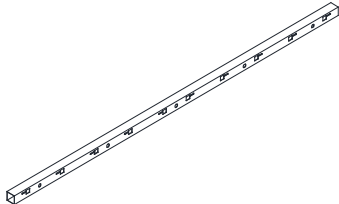
5 Leg x4  
(300 mm)



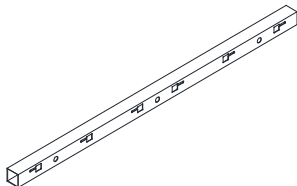
7 Support Leg 01 x 2  
(248mm)



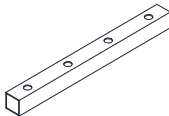
8 Support Leg 02 x 2  
(225mm)



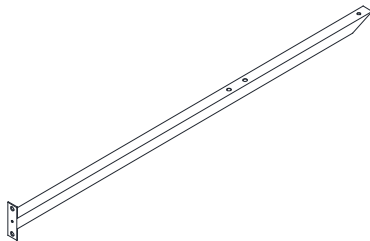
9 Side Rail 01 x2  
(1100mm)



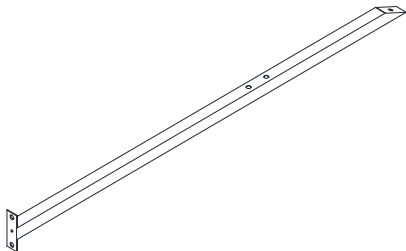
10 Side Rail 02 x2  
(636mm)



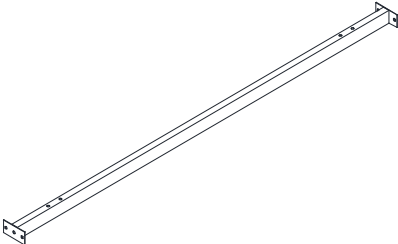
11 Side Rail 03 x2  
(250mm)



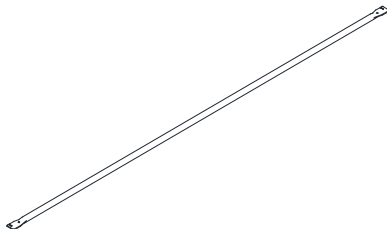
12 Centre Rail 01  
(986mm)



13 Centre Rail 02  
(986mm)

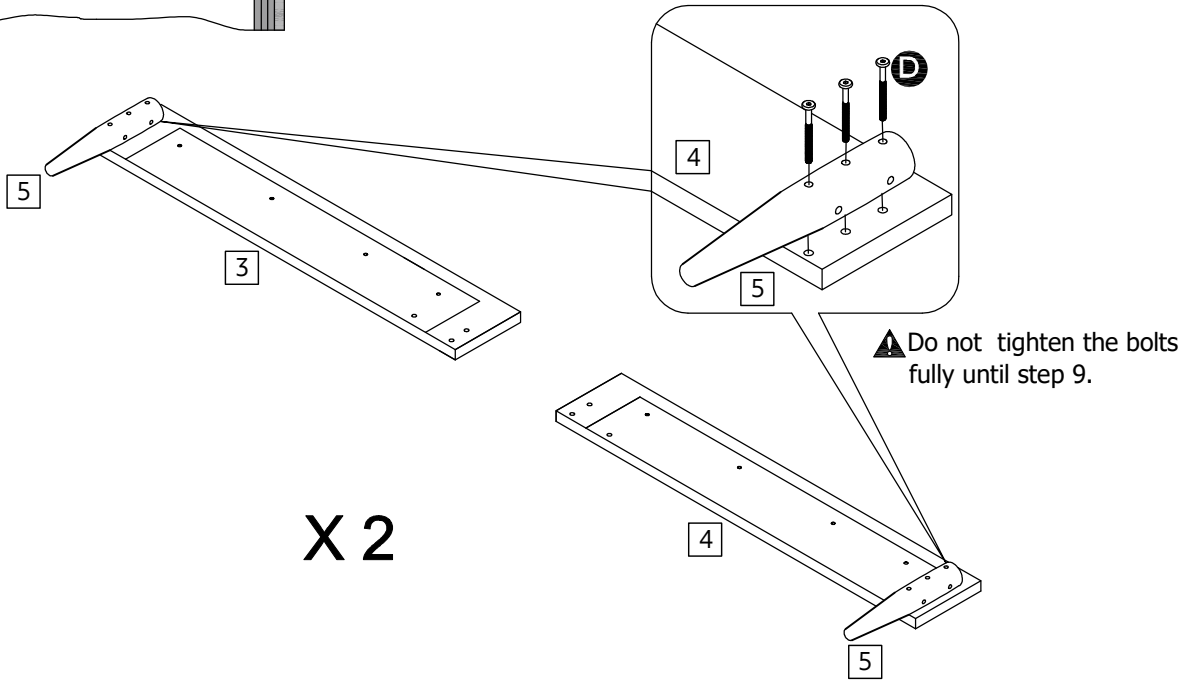
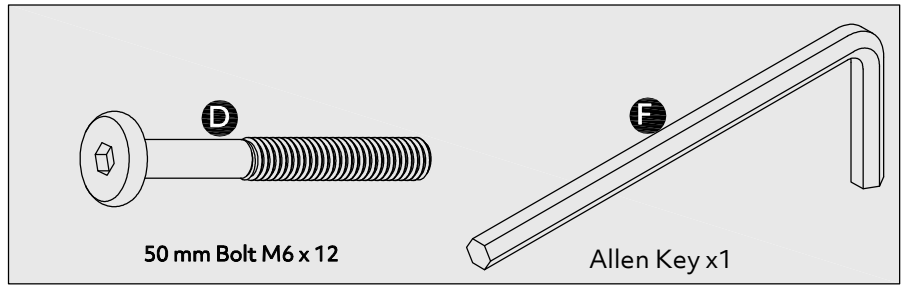
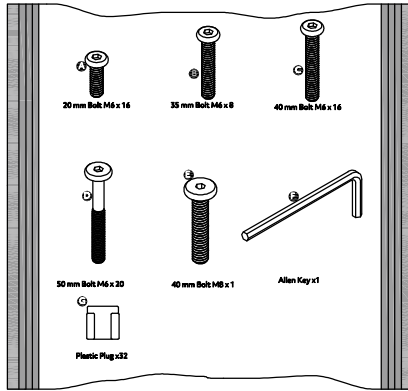


14 Cross Brace  
(1215mm)

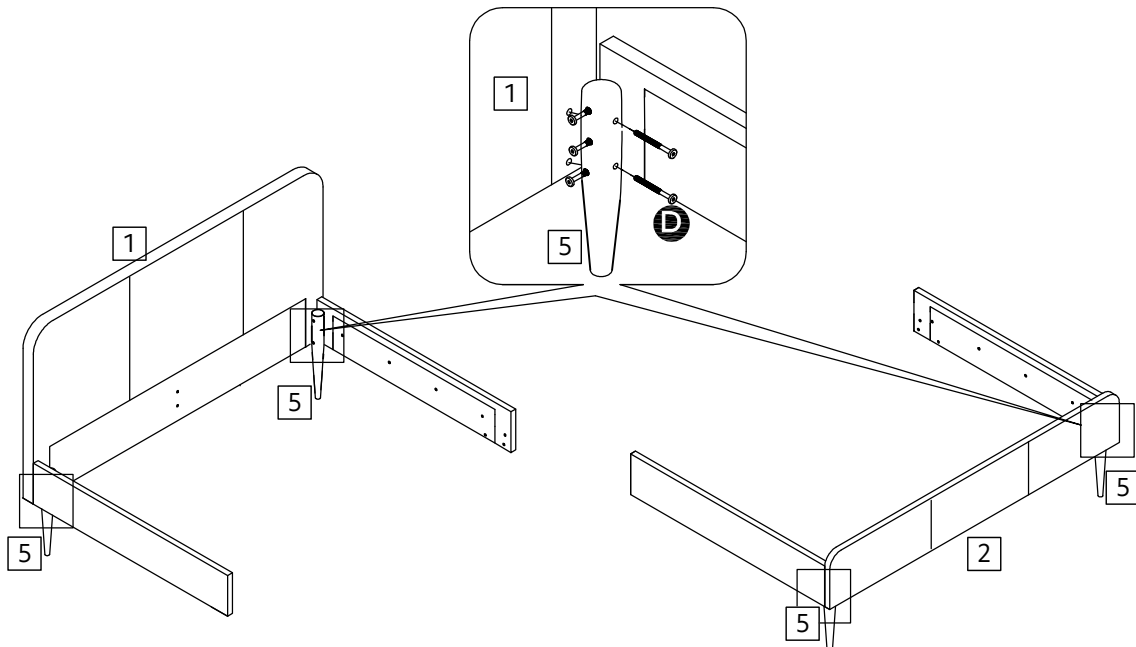
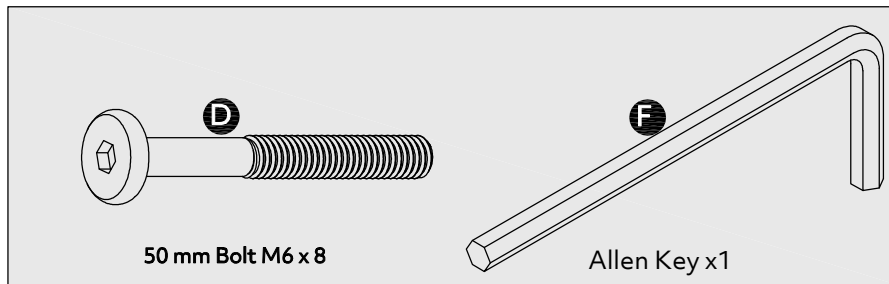


15 Slats x16  
(1182mm)

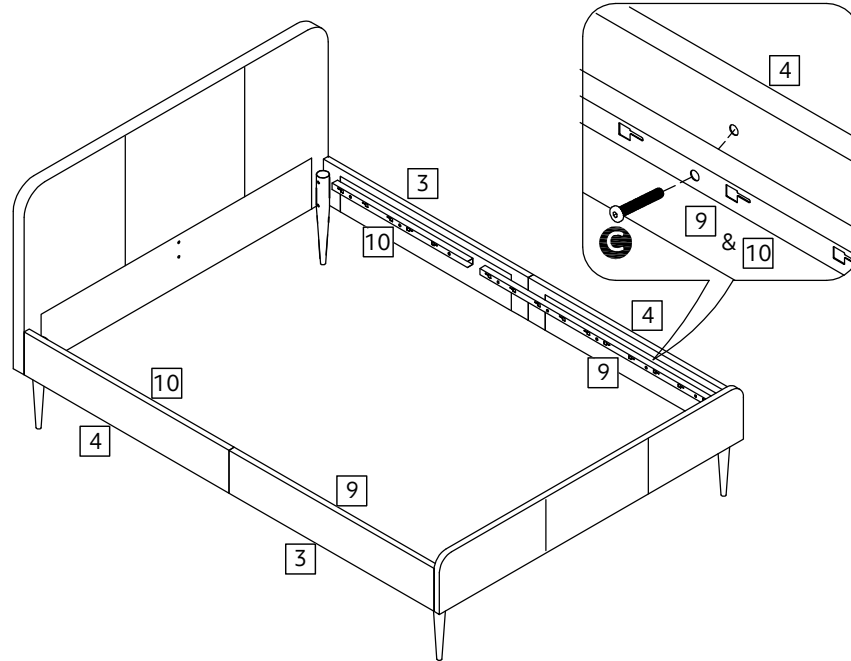
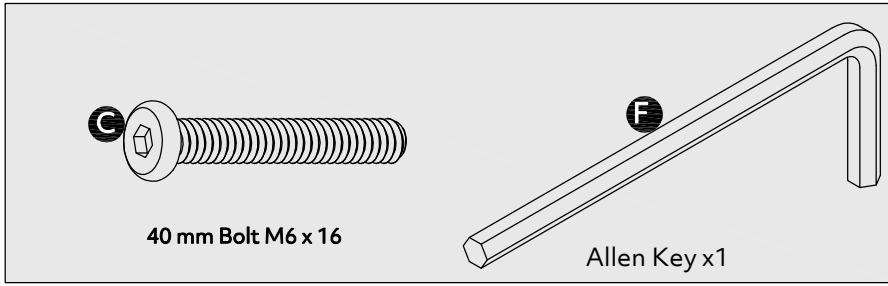
# 1



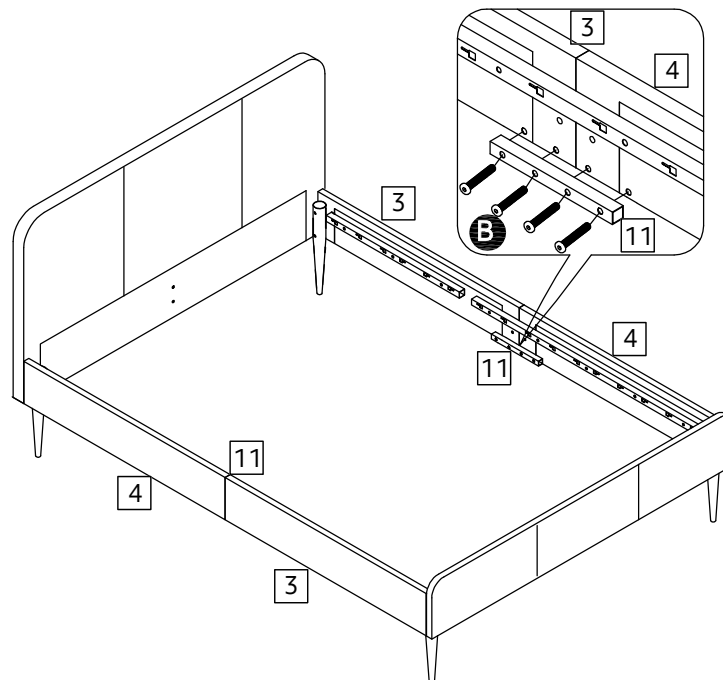
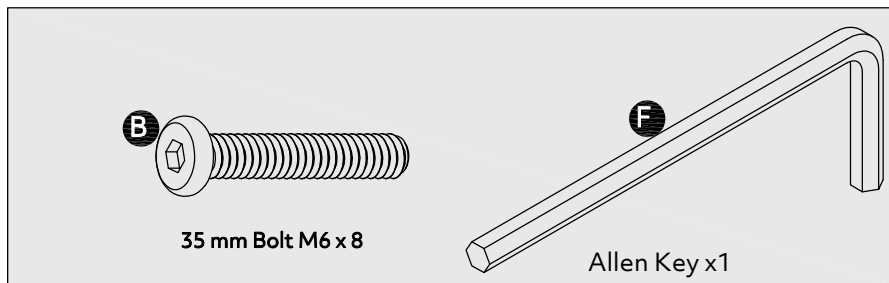
# 2



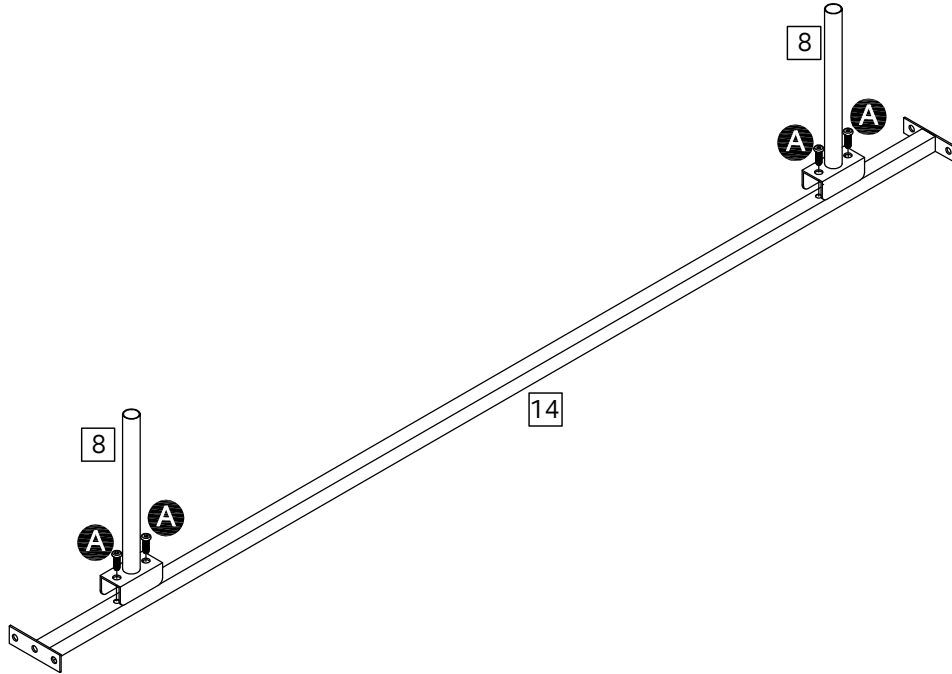
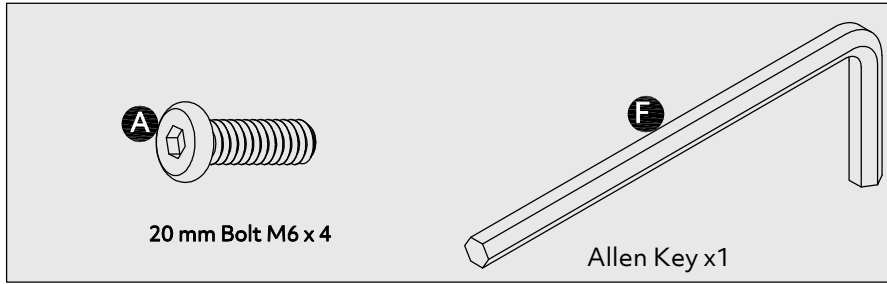
# 3



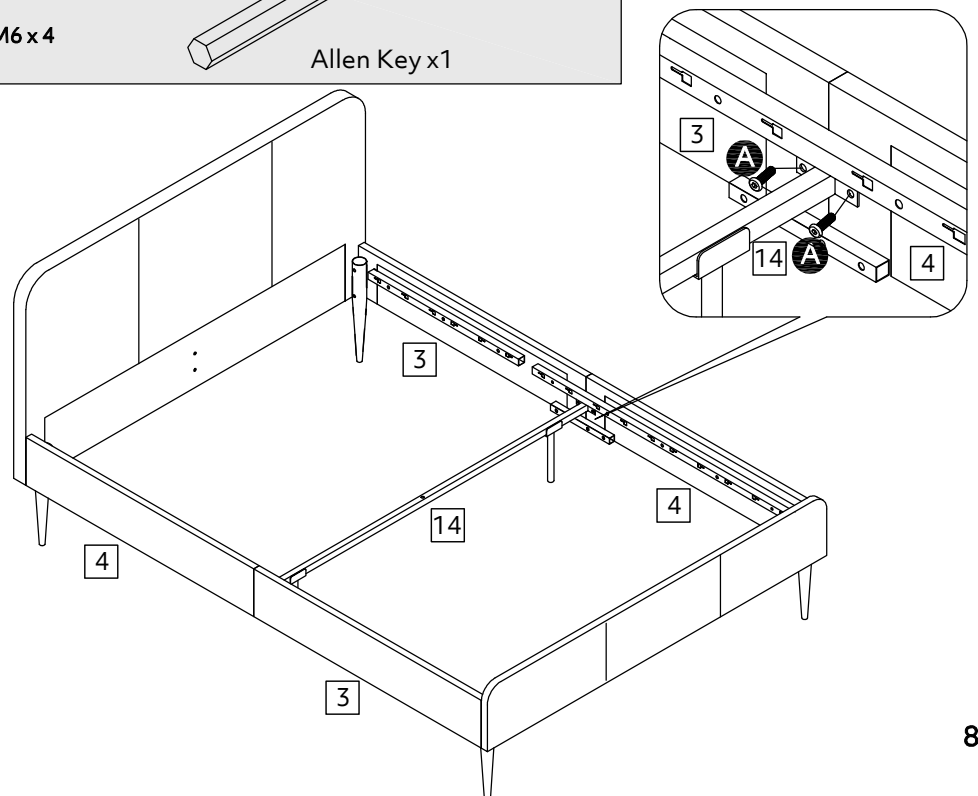
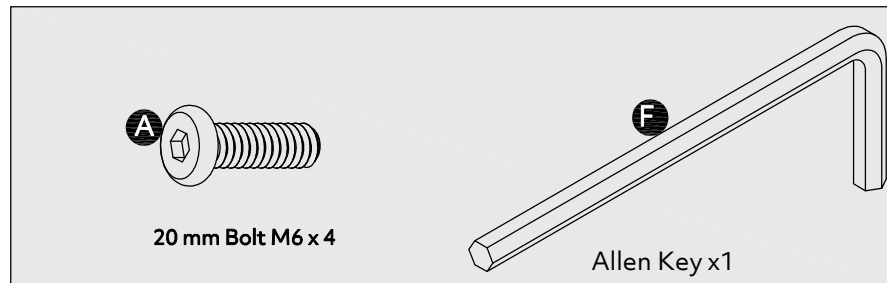
# 4



# 5

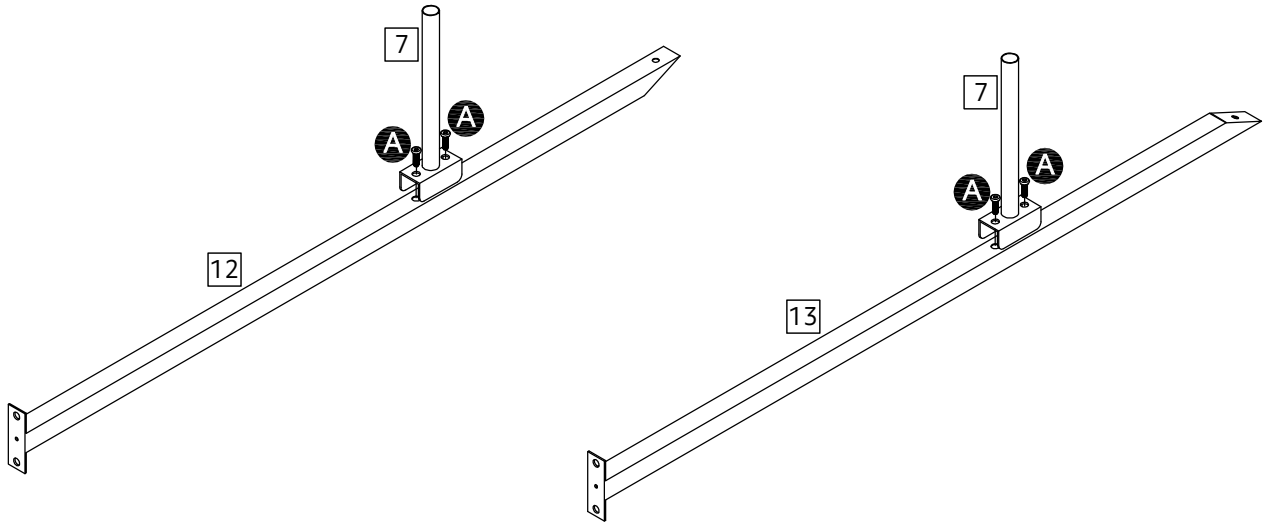
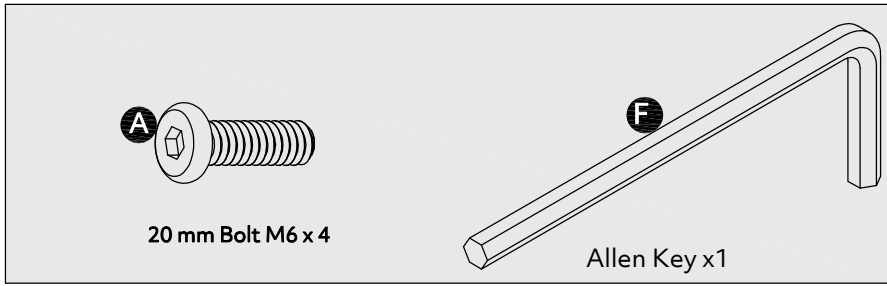


# 6

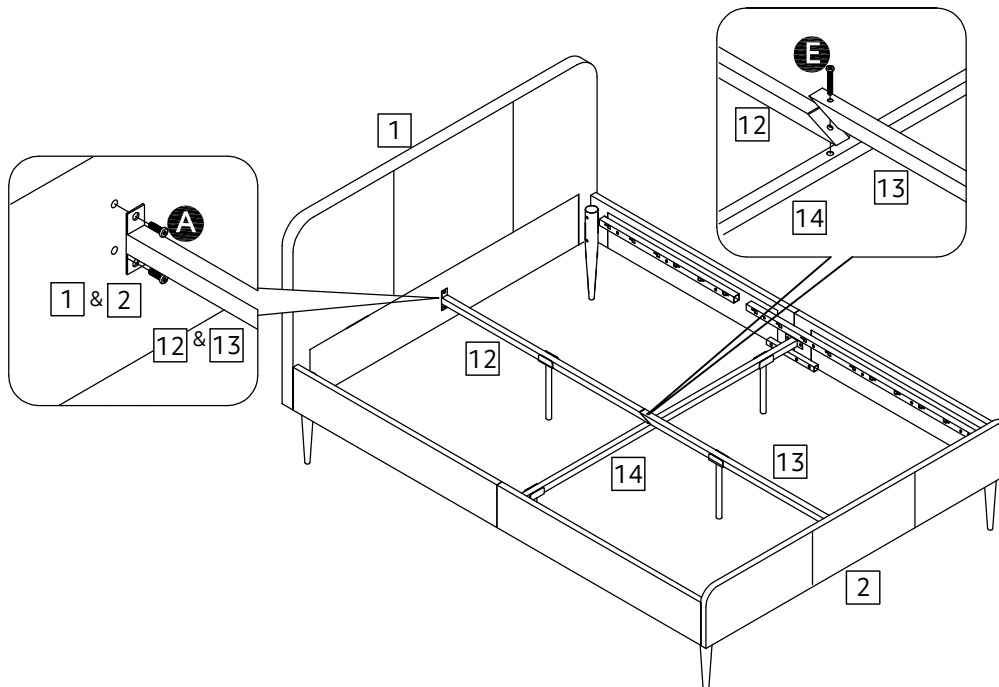
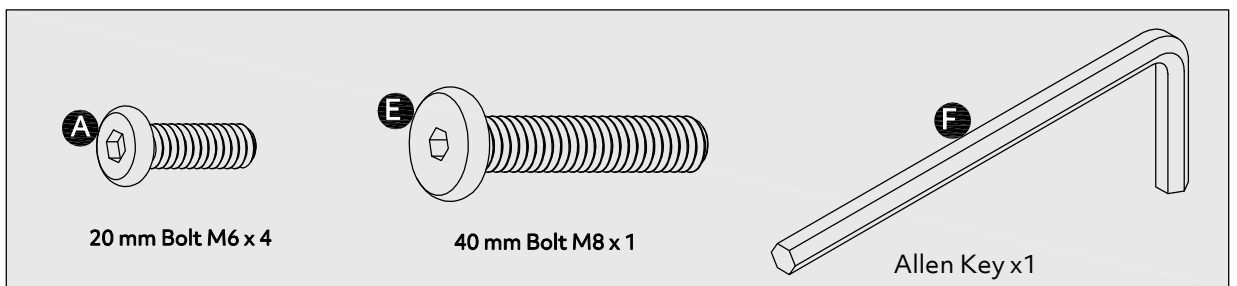




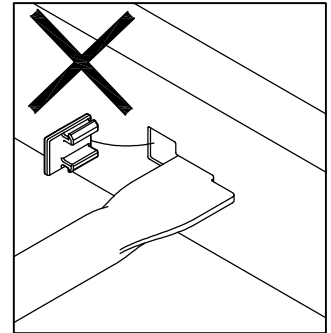
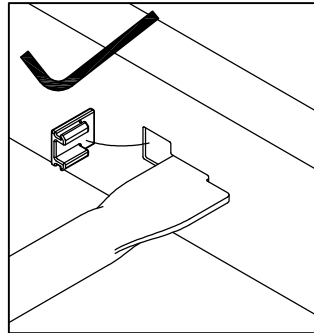
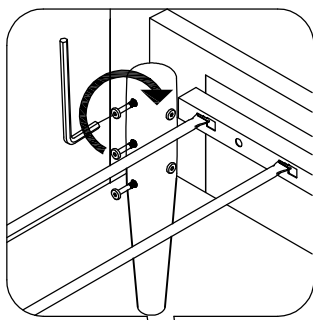
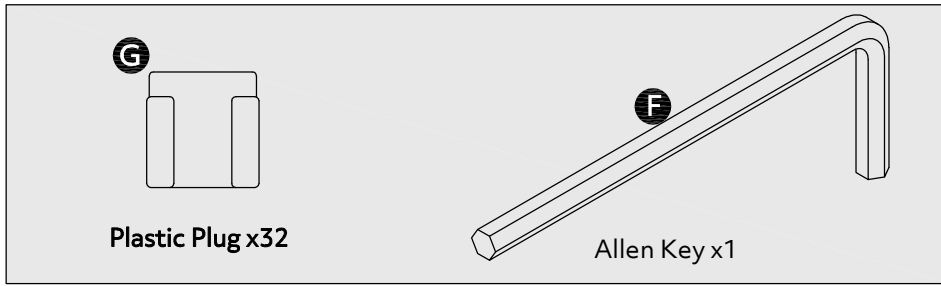
# 7



# 8

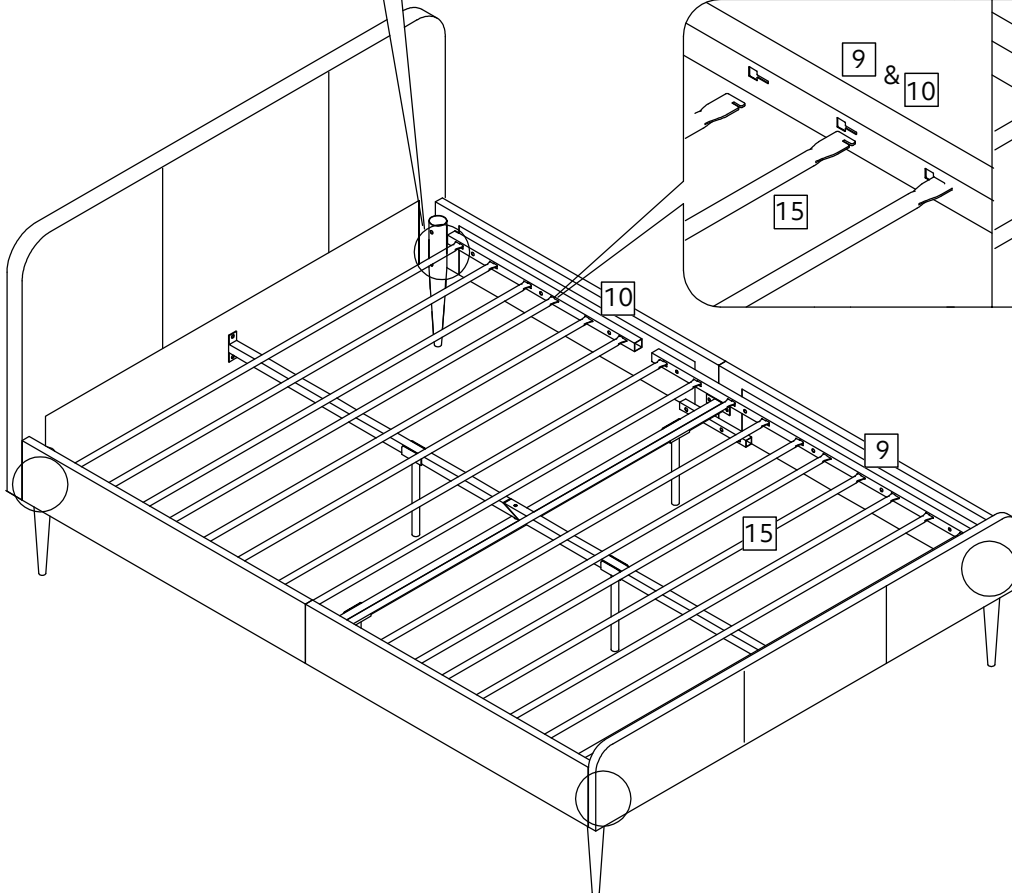
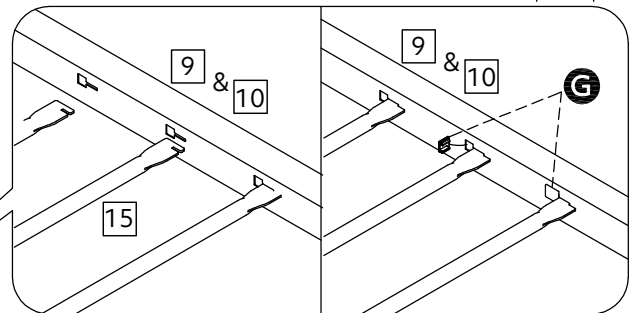


# 9



**a:**

**b:**



Fully tight all the bolts to complete the assembly!