

**Series 6, Washing machine, front loader, 9 kg, 1400 rpm
WGG244FRGB**



Optional accessories

WMZ2200 : Floor securing component

WMZ2381 : Extension for cold water inlet /Aquastop

Perfect results with minimum energy, water and detergent consumption thanks to energy Class A, i-DOS automatic dosing and ActiveWater Plus.

- **i-DOS:** automatically measures the precise amount of detergent and water.
- **Iron Assist:** reduce wrinkles up to 50%
- **Best energy class A:** save energy with the most efficient class A.
- **ActiveWater Plus:** For highly efficient use of water even with smaller loads thanks to automatic load detection.
- **SpeedPerfect:** perfectly clean in up to 65% less time*.

Technical Data

Construction type: Free-standing

Door hinge: Left

Length of electrical supply cord: 210.0 cm

Height for building under: 850.00 mm

Height of the appliance: 848 mm

Dimensions of the product: 848 x 598 x 590 mm

Wheels: No

Net weight: 73.5 kg

Drum volume: 65 l

Main colour of product: Cast iron grey

Door Frame: Silver-black grey

Connection rating: 2300 W

Fuse protection: 10 A

Voltage: 220-240 V

Frequency: 50-60 Hz

Energy Star Qualified: No

Cord Included: Yes

Plug type: GB plug

Length of supply hose (in): 59.05 "

Dimensions of the packed product: 34.66 x 25.70 x 27.23

Net weight: 162.000 lbs

Gross weight: 164.000 lbs

Length of drain hose: 150.00 cm

Length of supply hose: 150.00 cm

Dimensions of the packed product (HxWxD): 880 x 691 x 653 mm

Gross weight: 74.5 kg

Connection rating: 2300 W

Fuse protection: 10 A

Voltage: 220-240 V

Frequency: 50-60 Hz

Water protection system: Multiple water protection

Number of Options: 9

Maximum spin speed: 1400 rpm

Spin speed options: Variable

Digital countdown indicator: Yes

Drying progress indicator: LED, LED-display

Energy Efficiency Class: A

Weighted energy consumption in kWh per 100 washing cycles of eco 40-60 programme: 46 kWh

Maximum capacity in kg: 9.0 kg

The water consumption of the eco programme in liters per cycle: 48 l

Duration of eco 40-60 programme in hours and mins at rated capacity: 3:48 h

Spin-drying efficiency class of eco 40-60 programme: B

Airborne acoustical noise emission class: A

Airborne acoustical noise emissions : 71 dB(A) re 1 pW



Series 6, Washing machine, front loader, 9 kg, 1400 rpm WGG244FRGB

Perfect results with minimum energy, water and detergent consumption thanks to energy Class A, i-DOS automatic dosing and ActiveWater Plus.

Performance

- Energy Efficiency Class¹: A
- Energy² / Water³: 46 kWh / 48 litres
- Load capacity: 1 - 9 kg
- Programme duration⁴: 3:48 h:min
- Spin drying efficiency class: B
- Spin speed^{**}: 400 - 1400 rpm
- Noise level: 71 dB (A) re 1 pW
- Noise efficiency class: A

Programmes/functions

- Standard programmes: cottons, easy care, delicates, wool hand wash
- Series / project: W_F44-CA10-Ahi-i
- Special programmes: Automatic Gentle, Drum clean with reminder, Drain / Spin, Mixed Load, Sportswear, Single Rinse, Super Quick 15/30, Hygiene

Key features

- SpeedPerfect: perfectly clean in up to 65% less time. ***
- i-DOS: automatic dosing of liquid detergent and softener
- AntiStain - 4 stain removal options at the touch of a button
- Touch control buttons: Reduced Ironing option, Ready in, stain selection, i-DOS 2.0, start/pause with reload function, Temperature selection, SpeedPerfect, Prewash, Spin speed reduction/Rinse Hold

Additional features

- Reload function: Flexibility to add or remove laundry items of any size even after start of the wash cycle.
- Large LED-Display for programme status indication, max. spin speed, remaining time and 24 h end time delay and load recommendation
- Hygiene Plus: clean laundry and effective removal of germs
- Drum volume: 65 litres
- Usage meter: counts completed programmes
- Drum interior light
- VarioDrum: gentle and efficient washing
- Drum clean with reminder function
- Large silver-black grey door with 165° opening
- Reload function: Flexibility in adding laundry items into the drum, even after the wash cycle has started.
- EcoSilence drive with 10 year warranty
- EcoSilence drive with 10 year warranty
- ActiveWater Plus: for highly efficient use of water even with smaller loads thanks to automatic load detection.
- AntiStain
- AntiVibration Design - for more stability and quietness
- Turbidity sensor
- Aqua Protection
- soft dial
- Foam detection system
- Safeguard monitoring system adjusts load distribution and programme settings to protect clothes
- Child lock
- Acoustic signals: Buzzer

Technical Information

- Slide-under installation
- Dimensions (H x W): 84.8 cm x 59.8 cm
- Appliance depth: 59.0 cm
- Appliance depth incl. door: 63.6 cm
- Appliance depth with open door: 107.3 cm

¹ Scale of Energy Efficiency Classes from A to G

² Energy consumption in kWh per 100 cycles (in programme Eco 40-60)

³ Weighted water consumption in litres per cycle (in programme Eco 40-60)

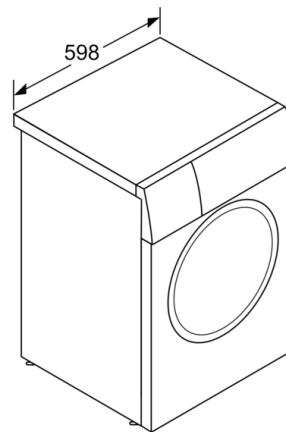
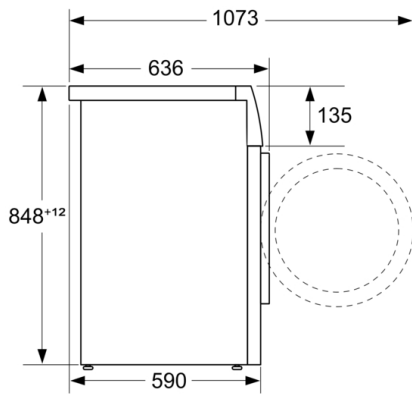
⁴ Duration of Eco 40-60 programme

** Values are rounded.

*** Comparison between the program duration of Easy-care 40°C and the program duration of Easy-care 40°C + activated Speed option

**Series 6, Washing machine, front loader, 9
kg, 1400 rpm
WGG244FRGB**

measurements in mm



measurements in mm