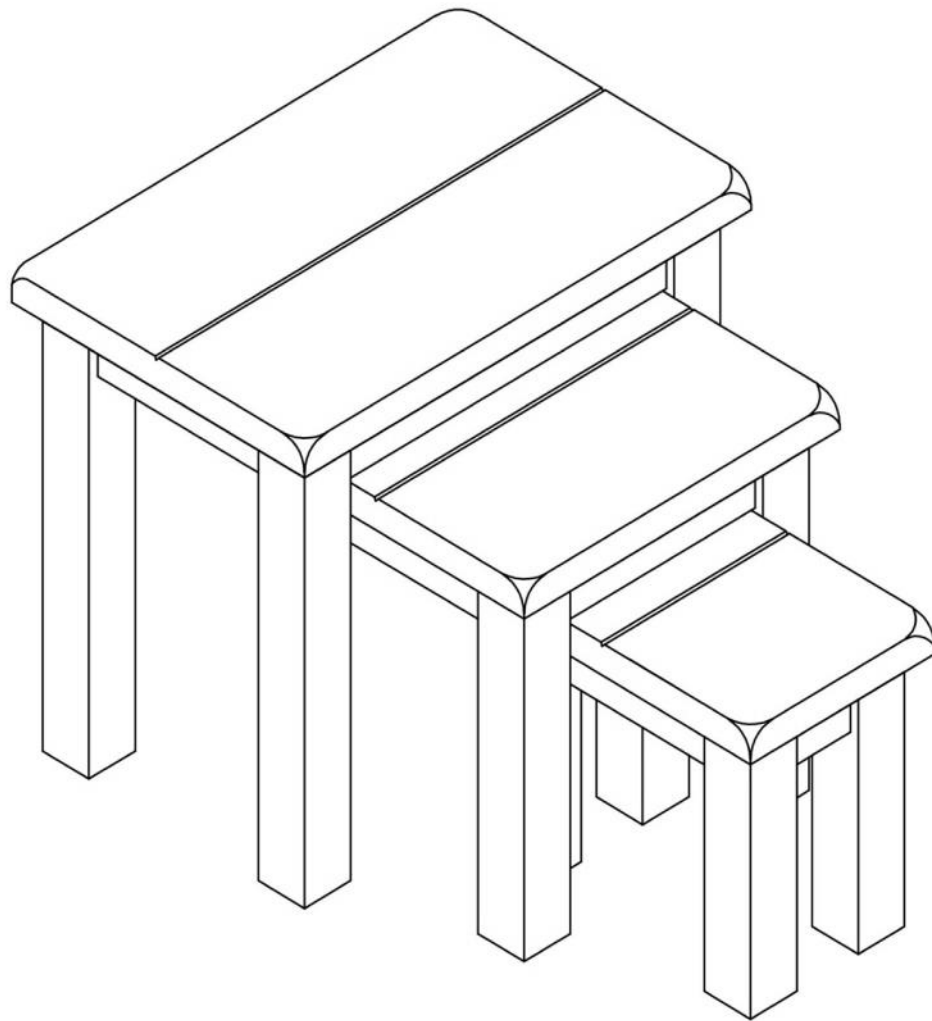


ARIZONA NEST OF 3 TABLES (3 TABLES)

Assembly Instruction - Please keep for future reference

4607904



Dimensions

Width - 58cm
Depth - 38cm
Height - 50cm

Width - 43cm
Depth - 38cm
Height - 40cm

Width - 28cm
Depth - 38cm
Height - 30cm

Important - Please read these instructions fully before starting assembly

If you need help or have damaged or missing parts, call the
Argos = 0345 6400800

Customer Helpline:

Components - Fittings

Please check you have all the fittings listed below

Note: The quantities below are the correct amount to complete the assembly. In some cases more fittings may be supplied than are required.



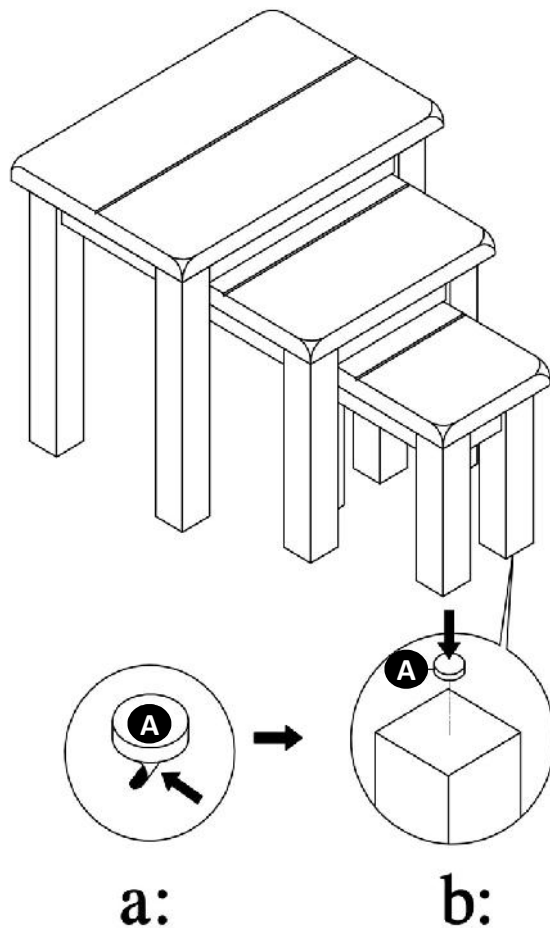
Assembly Instructions

Step 1

Attaching Felts

a: Remove the papers on felts **A** as shown.

b: Attach 4 felts **A** onto the bottom of all legs as shown.



If you need help or have damaged or missing parts, call the Argos = 0345 6400800

Customer Helpline: