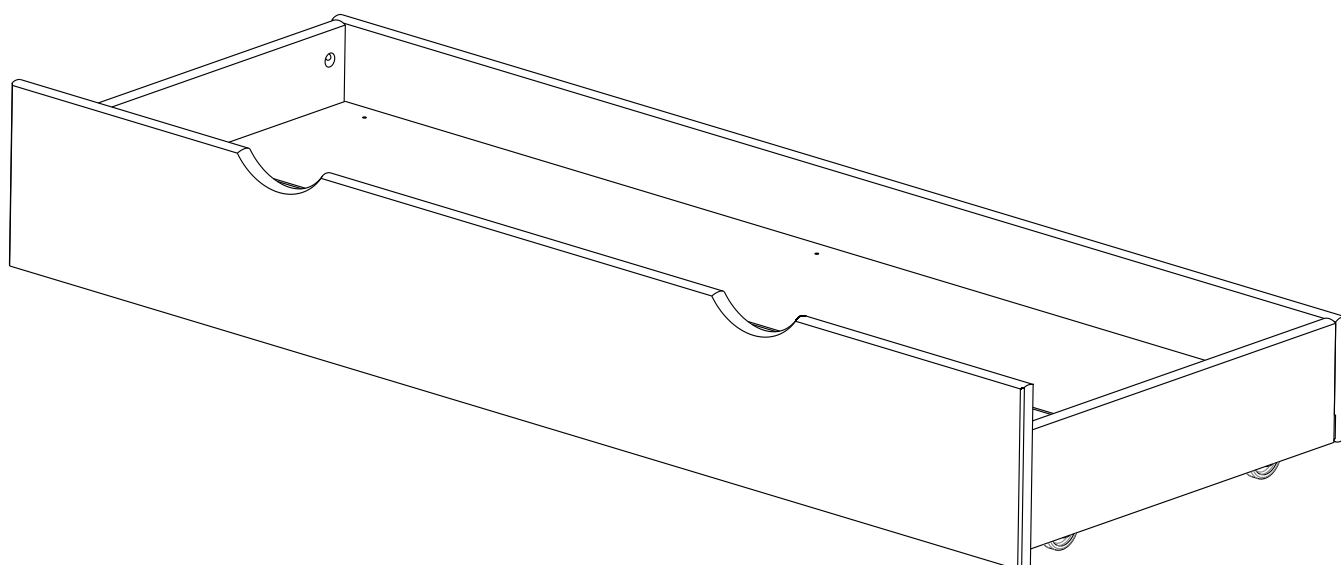


Aspley - Underbed Drawer

Assembly Instructions - Please keep for future reference

459/1261
457/9898



Dimensions

Width - 52.9cm

Depth - 144.0cm

Height - 21.5cm

Important – Please read these instructions fully before starting assembly

If you need help or have damaged or missing parts, call the **Customer Helpline: 03456 400 800**

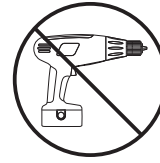


Safety and Care Advice

Important – Please read these instructions fully before starting assembly

- Check you have all the components and tools listed on pages 2 and 3.
- Remove all fittings from the plastic bags and separate them into their groups.
- Keep children and animals away from the work area, small parts could choke if swallowed.
- Make sure you have enough space to layout the parts before starting.
- Do not stand or put weight on the product, this could cause damage.
- Assemble the item as close to its final position (in the same room) as possible.
- Assemble on a soft level surface to avoid damaging the unit or your floor.

• This product has been produced from natural timber; you may notice some variation in the grain and colour of different component parts which is normal for furniture produced using natural wood and is not the result of any manufacturing fault.



as this could damage the unit. Only use hand screwdrivers.

• We do not recommend the use of power drill/drivers **for inserting screws**,

- Parts of the assembly will be easier with 2 people.
- Dispose of all packaging carefully and responsibly.

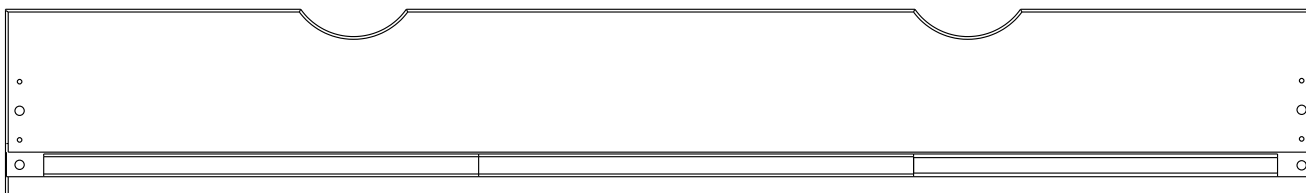
Care and maintenance

- Use an appropriate furniture polish for natural wood furniture and a dry cloth to clean the product.
- Avoid placing the furniture in direct sunlight as this will cause the timber to prematurely age.
- From time to time check that there are no loose screws on this unit.
- This product should not be discarded with household waste. Take to your local authority waste disposal centre.

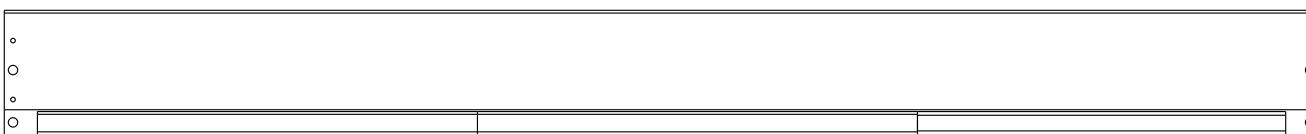
Note: If required the next page can be cut out and used as reference throughout the assembly. Keep this page with these instructions for future reference.

Components - Panels

Please check you have all the panels listed below



1 Drawer front (144.0 x 20.5cm)



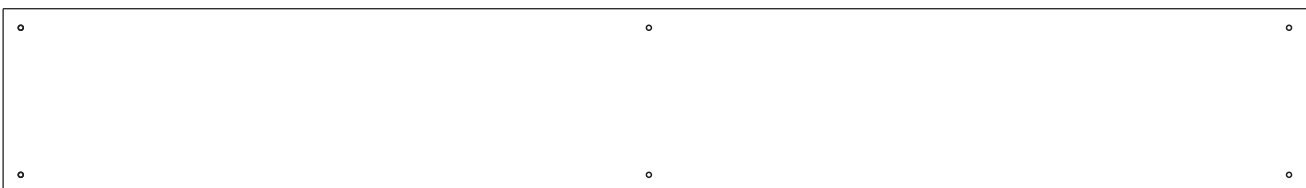
2 Drawer back (142.8 x 14.2cm)



3 Drawer side x 2 (49.0 x 14.2cm)



4 Support bar x 5 (48.7 x 7.0cm)



5 Drawer base x 2 (138.7 x 24.3cm)



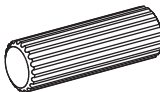
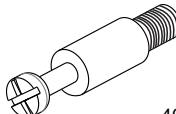
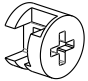
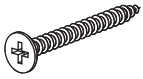

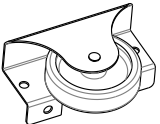
Components - Fittings

If you have damaged or missing components, call the **Customer Helpline: 03456 400 800**

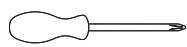
Please check you have all the fittings listed below

Note:

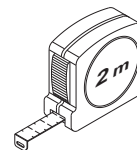
The quantities below are the correct amount to complete the assembly. In some cases more fittings may be supplied than are required.

<p>A</p>  <p>Wooden dowel x 8 10 x 40mm</p> <p>10004</p>	<p>B</p>  <p>Metal dowel x 8</p> <p>4002</p>	<p>C</p>  <p>Locking nut x 8</p> <p>4102</p>
<p>D</p>  <p>4.0 x 35mm Screw x 10</p> <p>9013</p>	<p>F</p>  <p>3.5 x 16mm Screw x 28</p> <p>9002</p>	<p>G</p>  <p>Wheel x 4</p> <p>11231</p>

Tools required



Phillips screwdriver
(medium & large)



Ruler/tape
measure



Small
hammer



Eye protection
(when using a
hammer or glue)

Ruler - Use this ruler to help correctly identify the screws

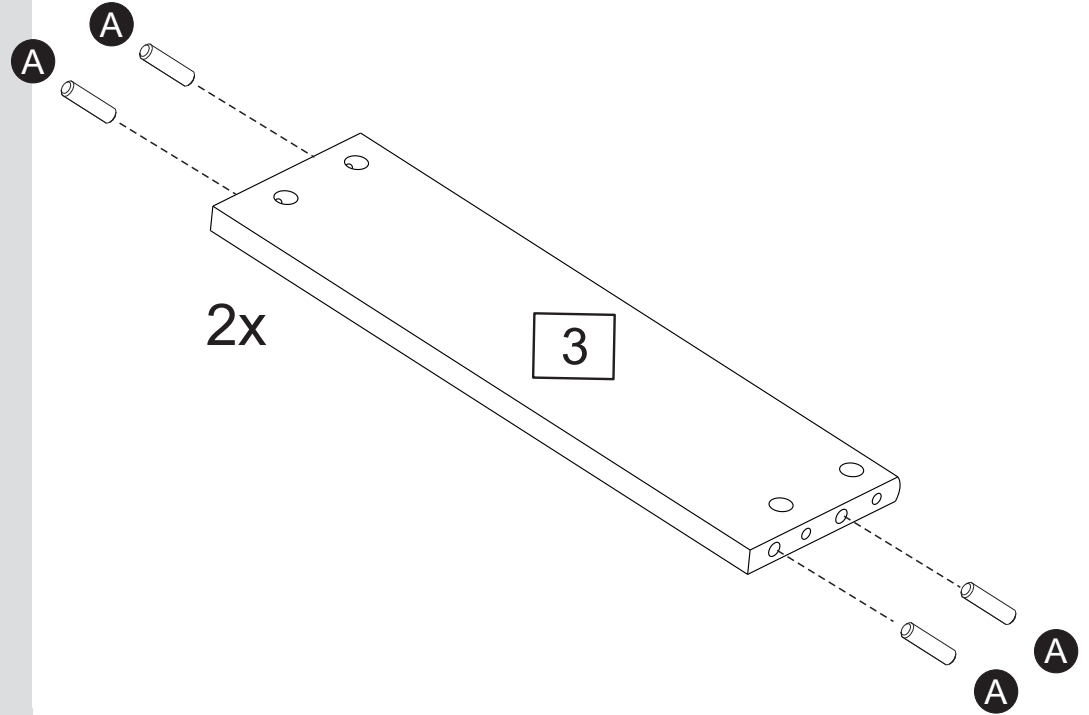


Assembly Instructions

Step 1

Inserting wooden dowels

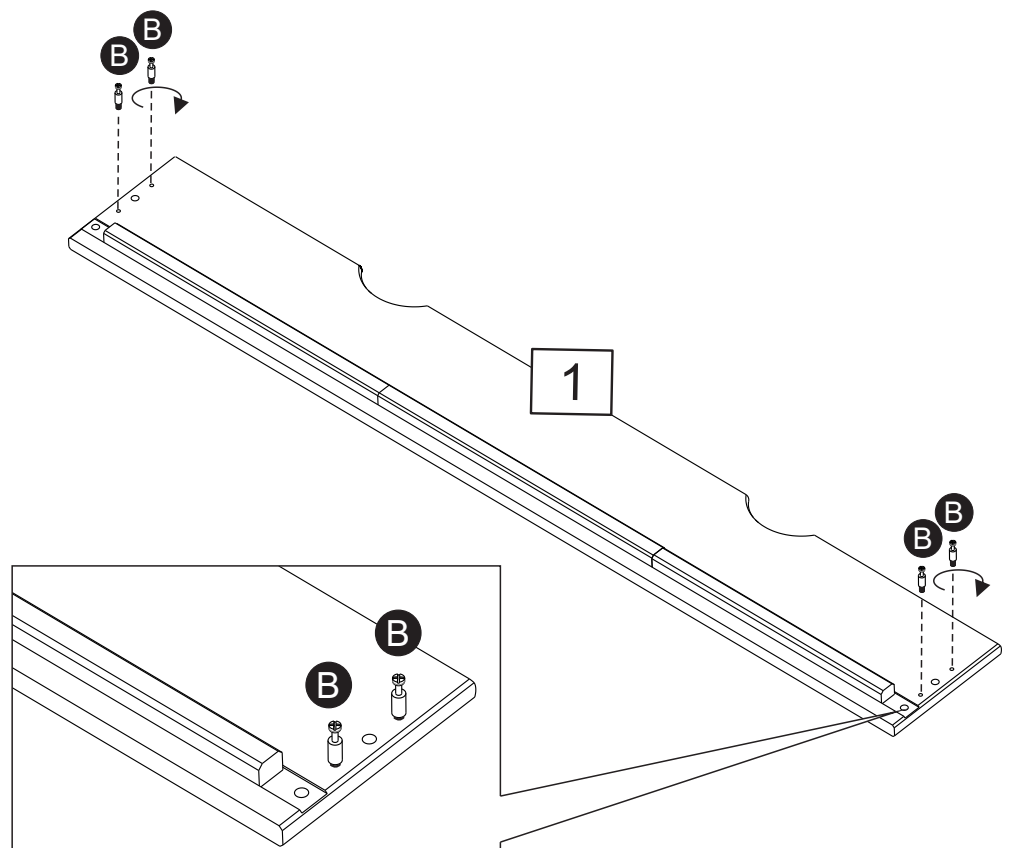
Insert wooden dowels **A** into drawer sides **3**, as shown.



Step 2

Inserting metal dowels

Screw metal dowels **B** into drawer front **1**, as shown.

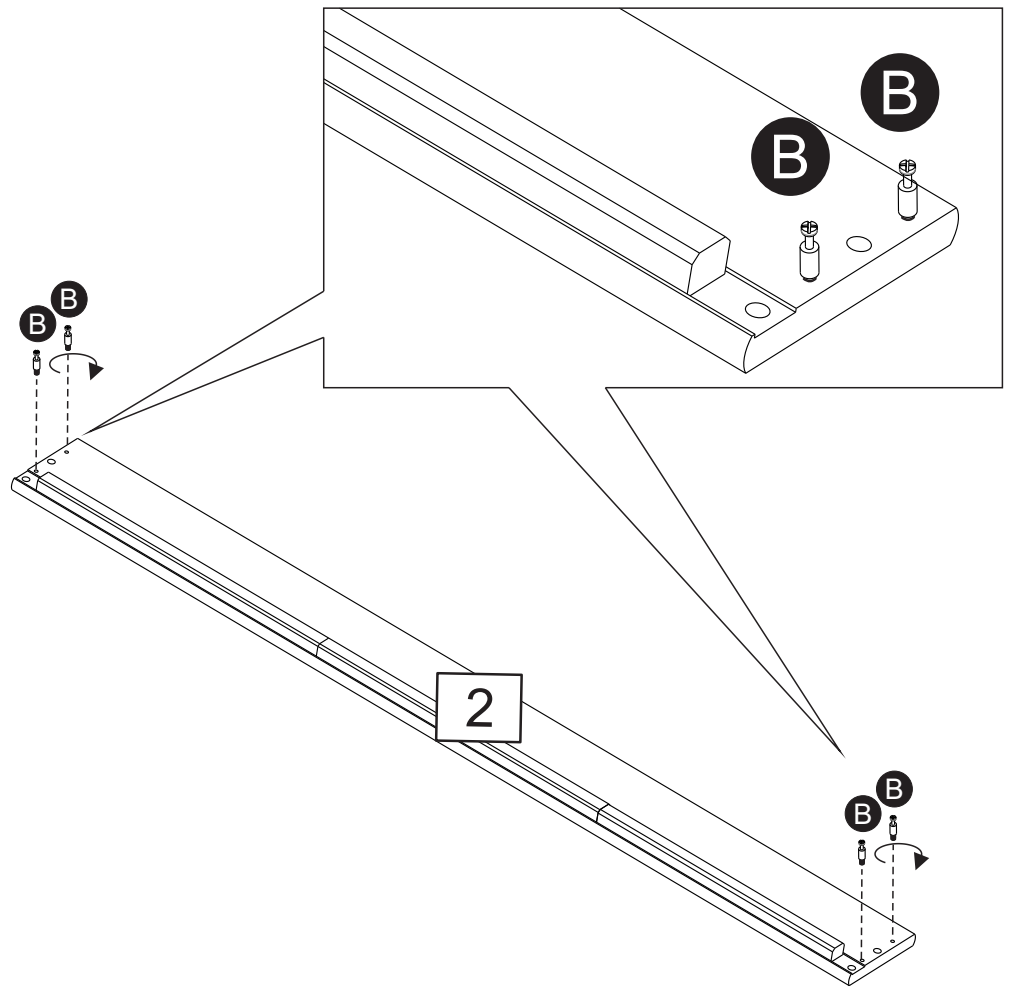


Assembly Instructions

Step 3

Inserting metal dowels

Screw metal dowels **B** into drawer back **2**, as shown.



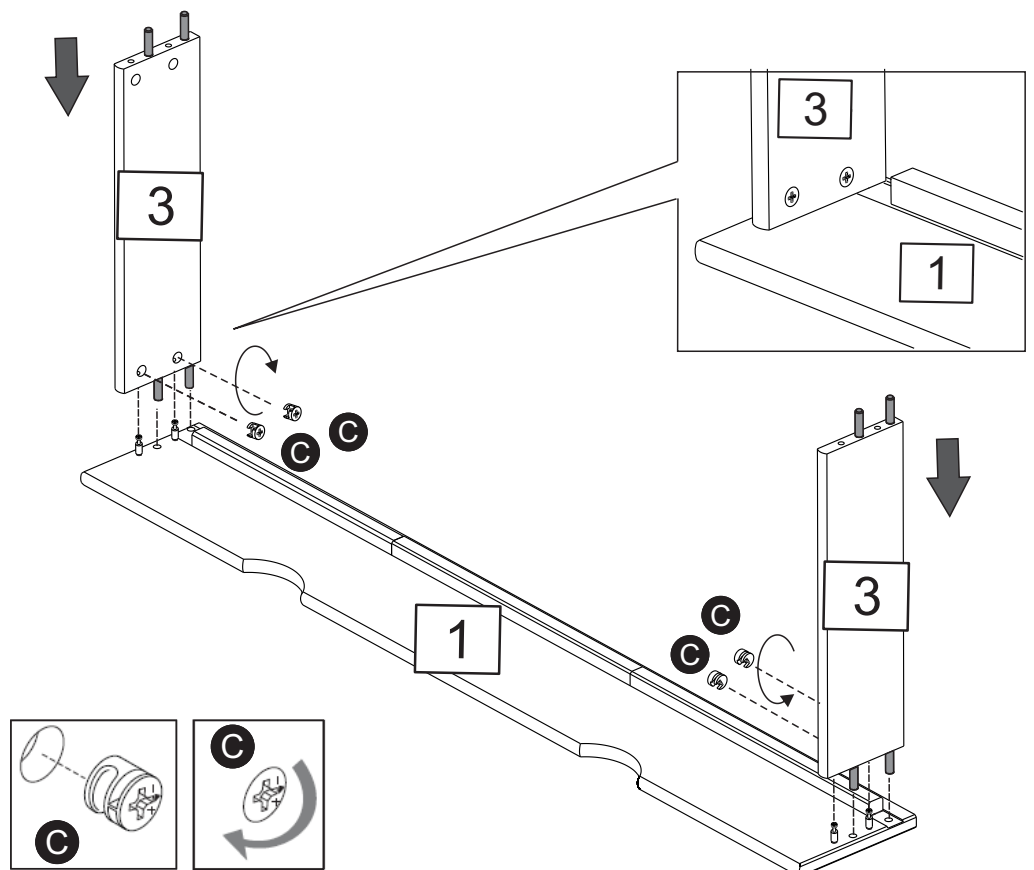
Step 4

Assembling drawer sides.

Fit drawer sides **3** to drawer front **1**, as shown.

Insert 4 locking nuts **C** into drawer sides **3**.

Use a screwdriver to turn locking nuts **C** clockwise to lock.



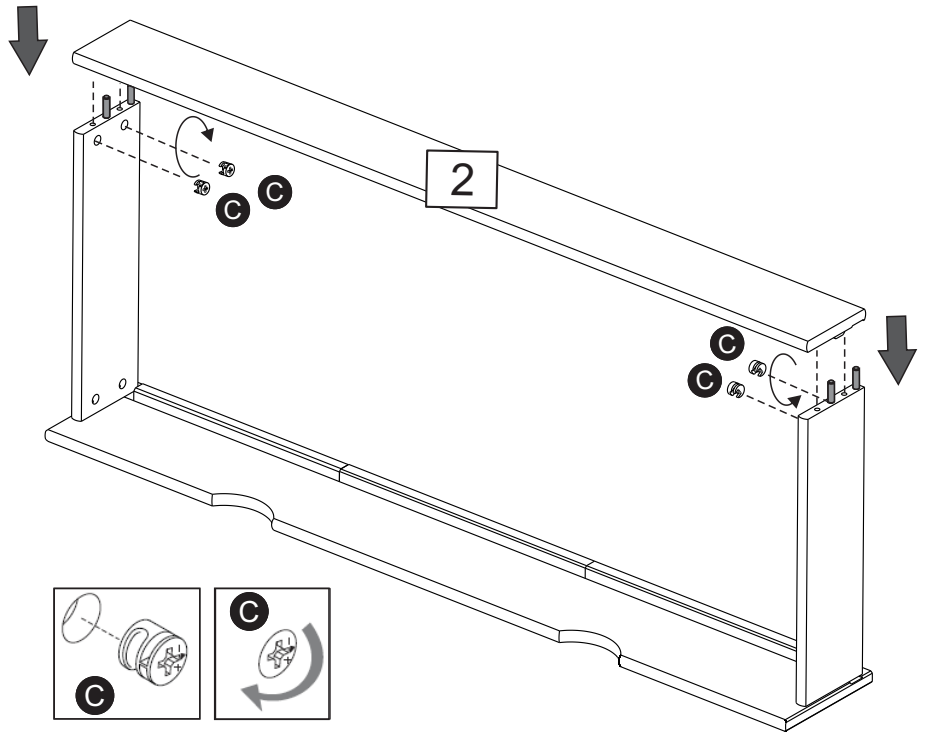
Assembly Instructions

Step 5

Fitting back drawer

Fit drawer back **2** to drawer sides, then insert 4 locking nuts **C** into drawer sides as shown.

Use a screwdriver to turn locking nuts **C** clockwise to lock.

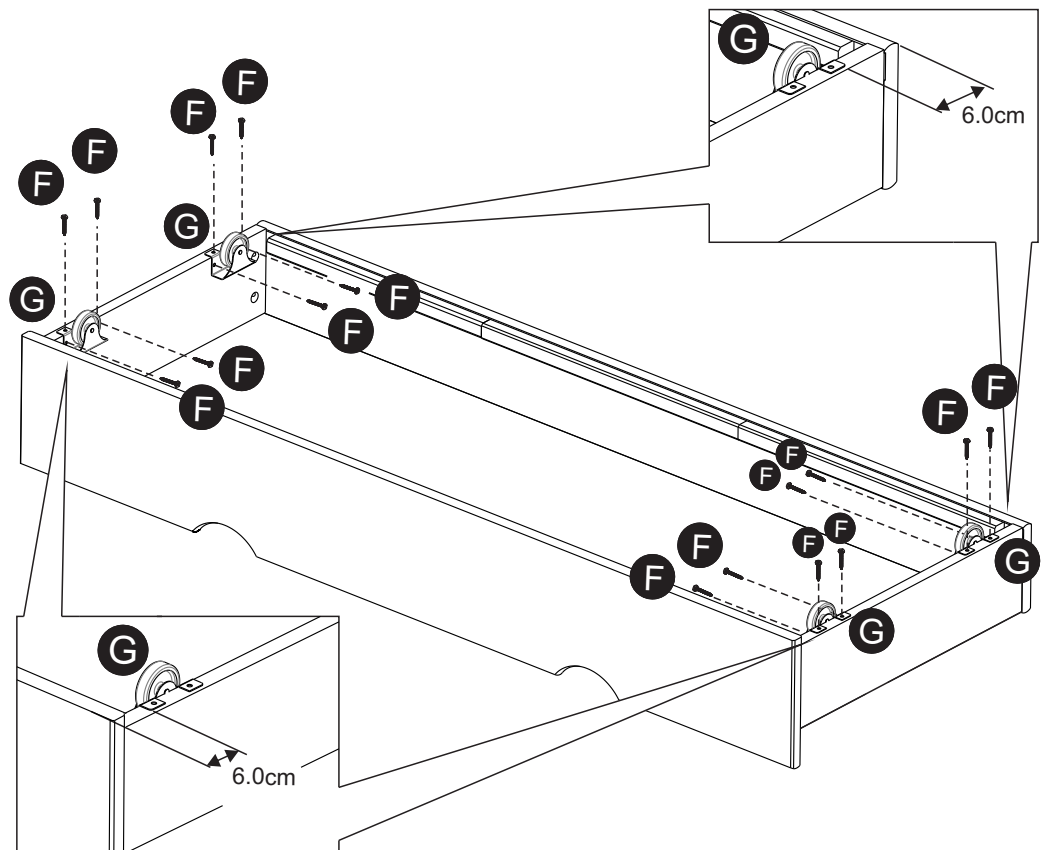


Step 6

Attaching wheels

Carefully, turn the product upside down.

Fix wheels **G** using screws **F**, leaving 6cm distance from the drawer front and drawer back as shown.



Assembly Instructions

Step 7

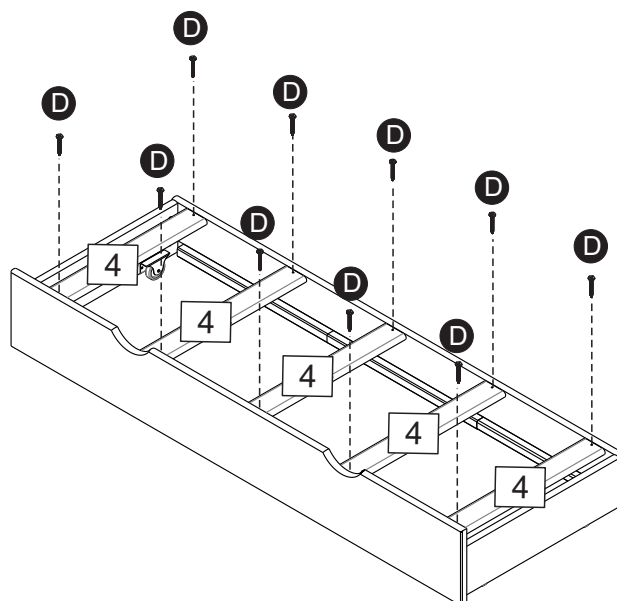
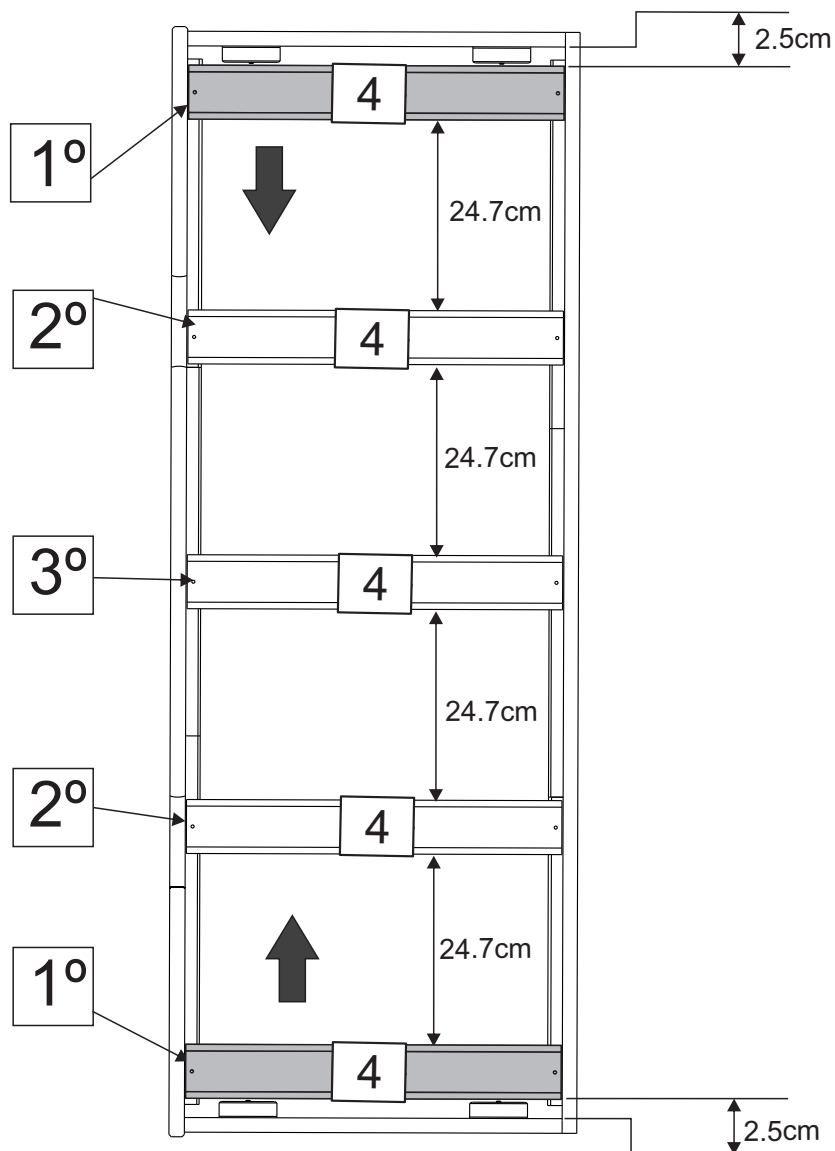
Fixing drawer base

With help, turn the drawer upside down.

Fix support bars **4** using screws **D**, as shown.

Make sure support bars **4** are positioned according to the measures shown on the diagram.

(Following the order)



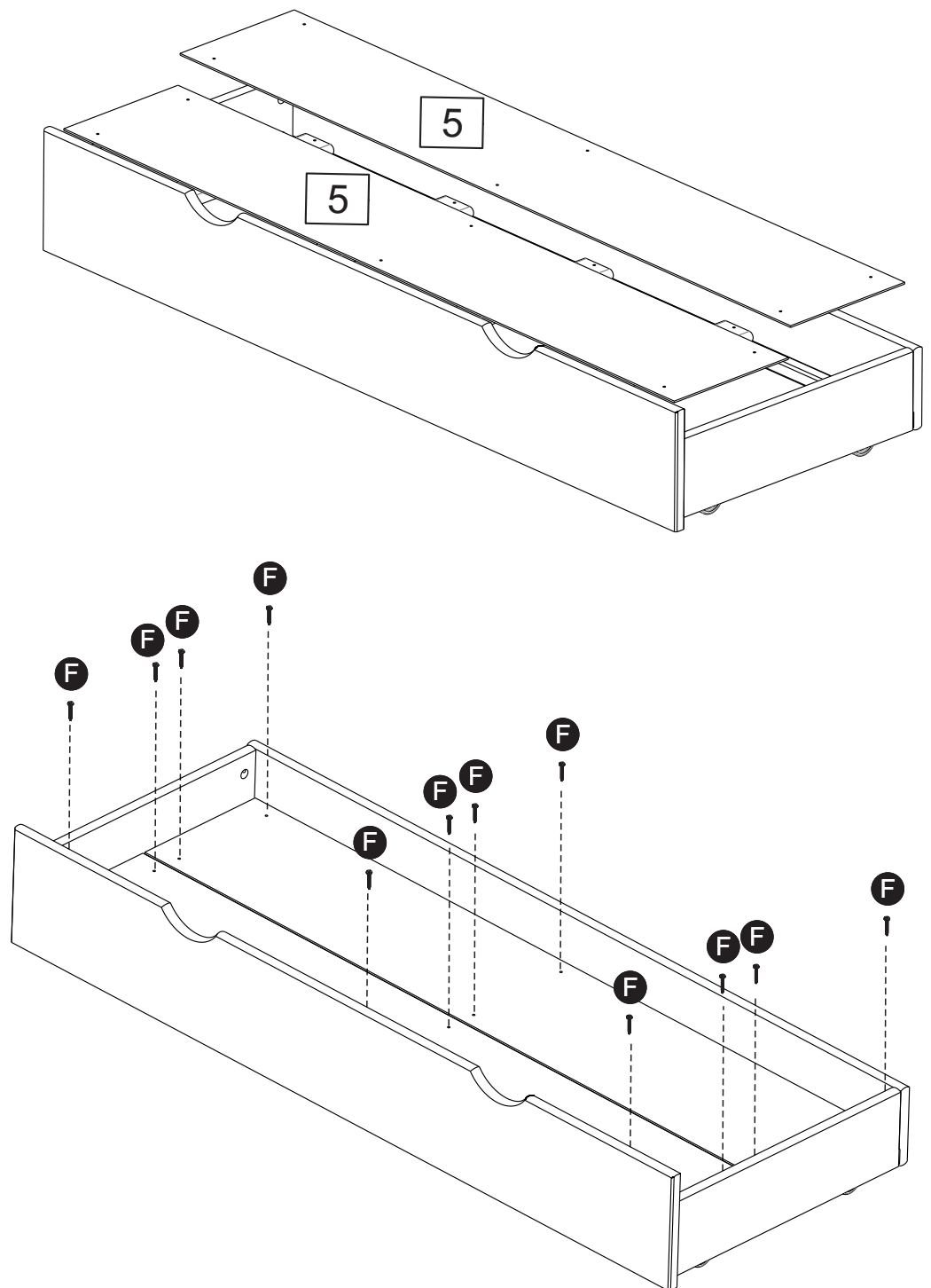
Assembly Instructions

Step 8

Fixing drawer base

Place drawer base **5** into the drawer as shown.

Then, fix them through pre-drilled holes using screws **F**, as shown.



Assembly is complete.

If you need help or have damaged or missing parts, call the **Customer Helpline: 03456 400 800**

Your 1 Year Guarantee

Peace Of Mind

Knowing Your Furniture Is Protected

Protection received within the Manufacturer's Guarantee	Optional Added Protection with Furniture Care
Covers you for manufacturing defects for 1 year.	Covers you for up to 2 years for specific structural defects following the expiry of the manufacturer's guarantee.
In the event of a problem within this time please call 0345 640 0800 , or visit an Argos store. Please retain your receipt and order number as proof of purchase.	Plus - covers you for accidental damage up to 3 years for incidents such as household spills, rips, tears and burns. Accidental damage cover begins from the moment your plan starts.
	If you want to purchase Furniture Care visit https://argos.productaftercare.co.uk or go into an Argos store.
Key exclusions applying to both the Manufacturer's Guarantee and Furniture Care include where the fault is due to misuse, abuse, deliberate damage, wear and tear, neglect, use in contravention with the instructions, or if the product has been the subject of unauthorised alterations or commercial use (for full list of exclusions please visit https://argos.productaftercare.co.uk or visit an Argos store for more information). You have up to 45 days post purchase to take out Furniture Care. Terms and conditions apply. Your statutory rights remain unaffected.	

Register

For Your Manufacturer's Guarantee

Thank you for choosing Argos Home.
We hope you love your shiny new things!

To provide you with the best possible after sales service, don't forget to visit **<https://argos.productaftercare.co.uk>** where you can **register** for your guarantee.

Once you've registered, you can upload your receipt to store safely online, alongside details of our after sales support service, ready at hand should you need it.

You can also take out Furniture Care which protects you against accidental damage, from the moment you take the plan out, to keep your new furniture looking newer for longer.

Register Today

<https://argos.productaftercare.co.uk>