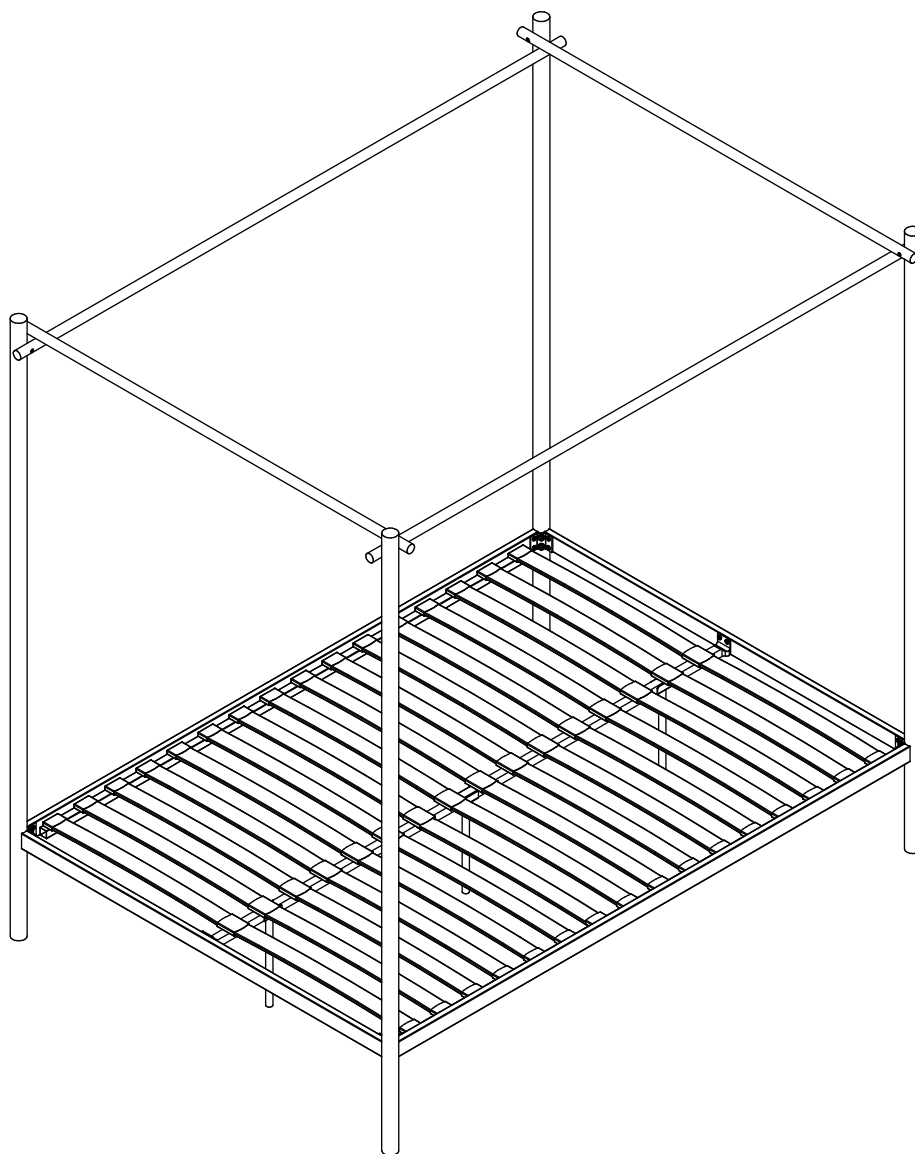



# AKARI DOUBLE



## Spare Parts

-  [www.argos-support.co.uk](http://www.argos-support.co.uk)
-  [Help@ClickSpares.co.uk](mailto:Help@ClickSpares.co.uk)
-  0370 112 1928

## Customer Support

-  0345 640 2020

# Safety and Care Advice

---

## Product Details

AKARI 4ft6 4588906 / 3630989

## IMPORTANT, RETAIN FOR FUTURE REFERENCE: READ CAREFULLY.

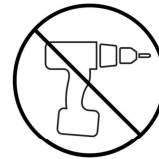
- Keep children and animals away from the work area, small parts could choke if swallowed.

- Make sure you have enough space to layout the parts before starting.

- This product has been constructed to be used in the domestic environment only and not for commercial purposes.

- Assemble the item as close to its final position (in the same room) as possible.

- Assemble on a soft level surface to avoid damaging the unit or your floor.



- We do not recommend the use of power drill/drivers for inserting screws as this could damage the unit. Only use hand screwdrivers.

- Parts of the assembly will be easier with 2 people.

- Dispose of all packaging carefully and responsibly.

## Care and maintenance

---

- Only clean using a damp cloth and mild detergent. Do not use abrasive cleaners.

- Use a dry cloth to clean the product, furniture polish is not recommended.

- From time to time check that there are no loose screws, nuts or bolts. If there are please re-tighten.

- This product should not be discarded with household waste. Take to your local authority waste disposal centre.

## Additional Guidance

---

- Assemble all parts and bolts loosely during assembly, only once the product is complete should you fully tighten the bolts.

- Regularly check and ensure that all bolts and fittings are tightend properly.

- Max individual user weight 100kg

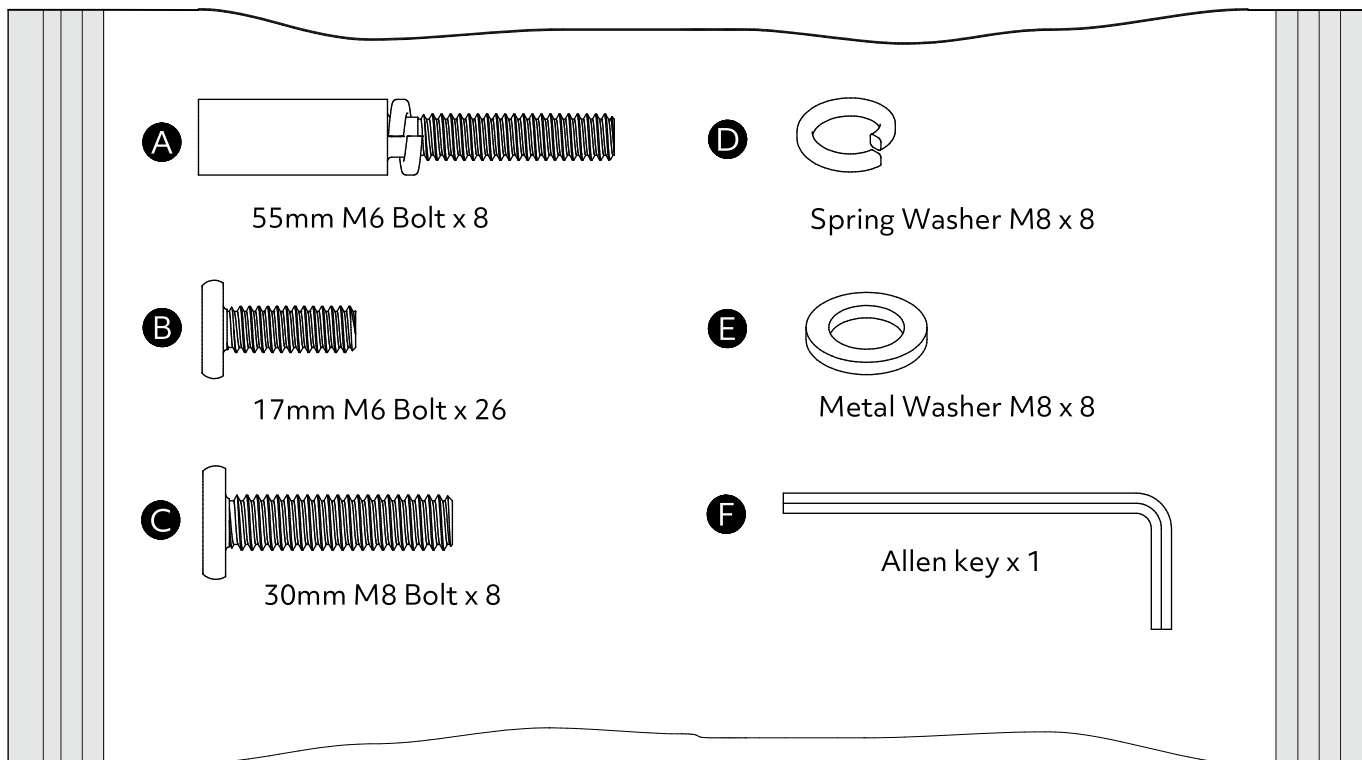
- This product complies with BS EN 1725:1998

- Any additional or replacement parts are obtained from the manufacturer.

Habitat, Argos Limited and Sainsbury's Supermarkets Ltd, London EC1N 2HT, UK. [Argos \(N.I.\) Ltd](#) and Sainsbury's (NI) Ltd. Forestside Shopping Centre, Upper Galwally, Belfast, BT8 6FX, UK

# Fittings (Shown to scale)

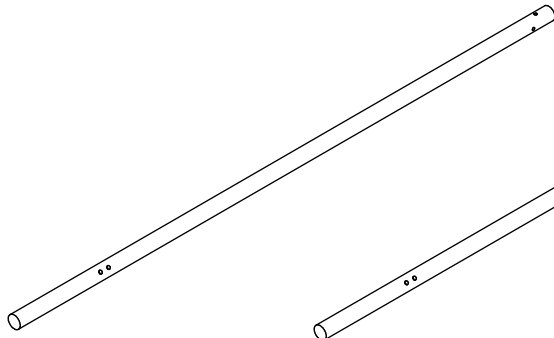
## Bag (T00013400B00)



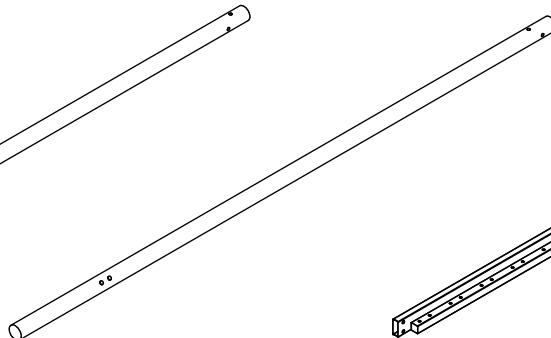
**⚠** Please do not completely tighten all the hardware, until the entire assembly is complete.

# Panels

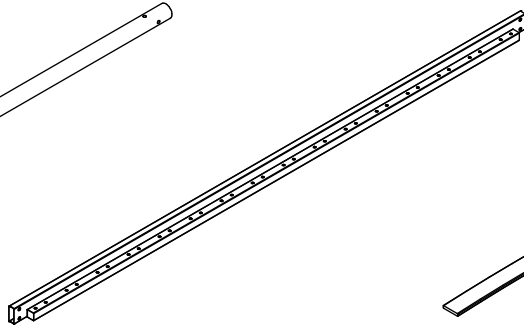
---



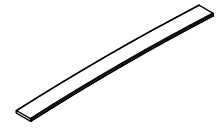
1 Post 01 x2  
(1950mm)



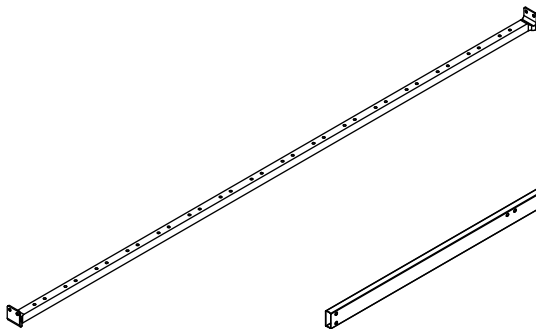
2 Post 02 x2  
(1950mm)



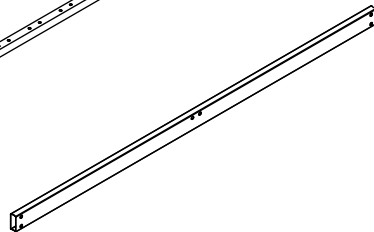
8 Side Rail x2  
(1916mm)



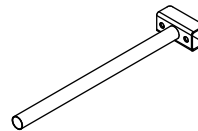
14 Wood Slat x 32  
(682.4mm)



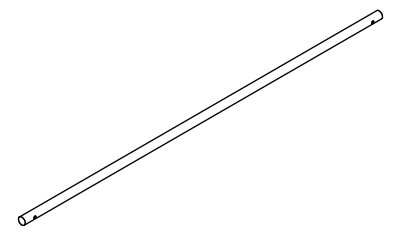
17 Brace 01 x1  
(1937mm)



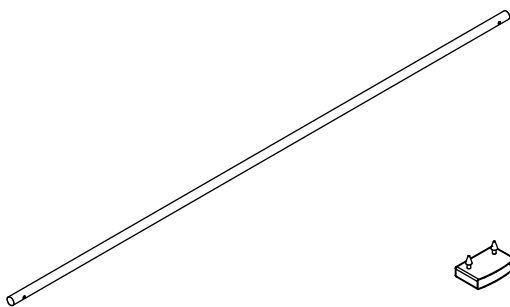
18 Brace 02 x2  
(1348mm)



21 Leg x3  
(315mm)



25 Brace 03 x2  
(1475mm)



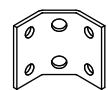
26 Brace 04 x2  
(2045mm)



37 End Connector x32  
(38mm)

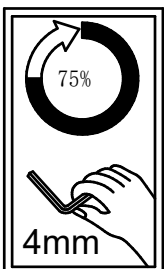
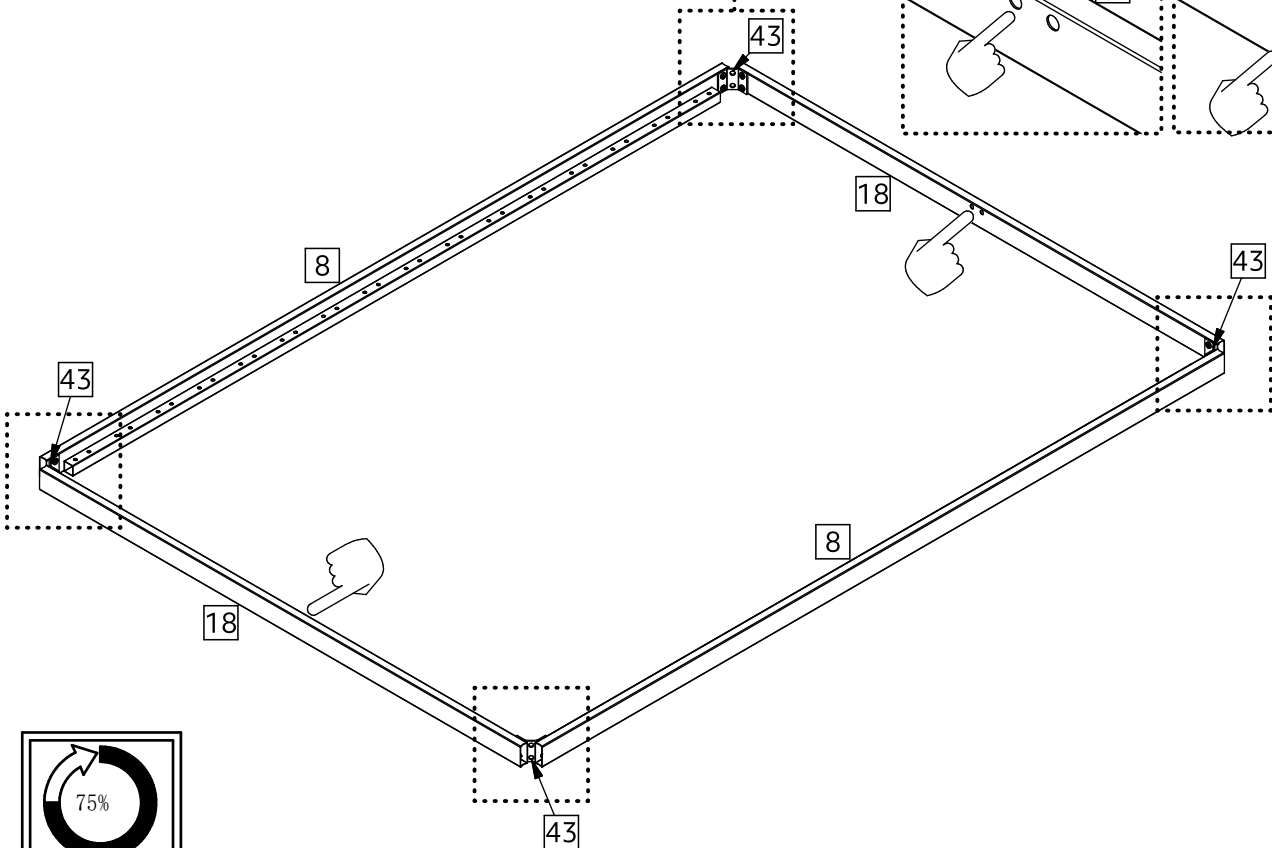
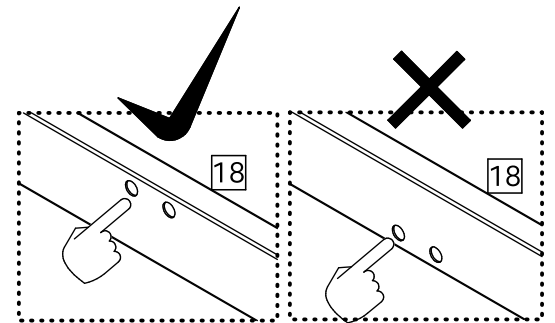
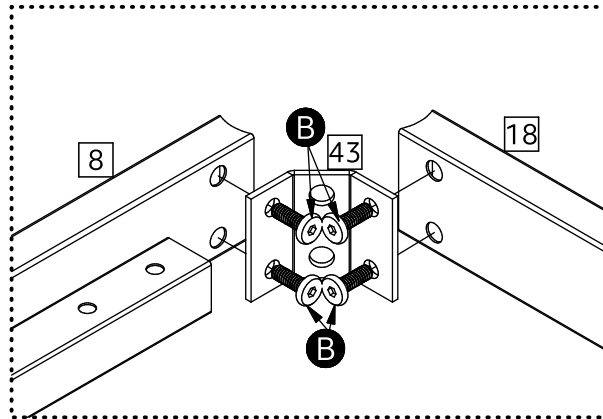
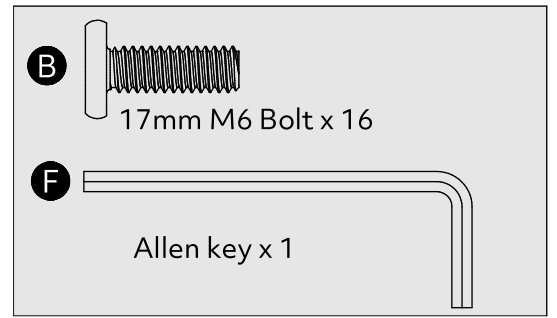
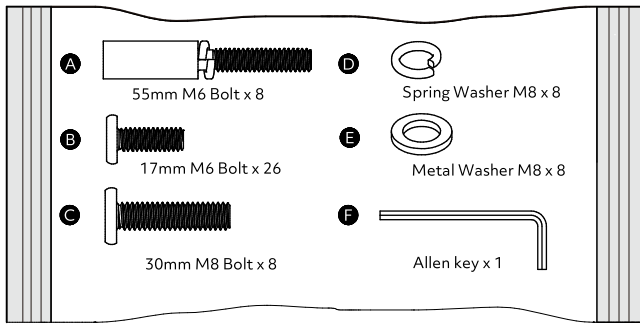


38 Center Connector x16  
(68mm)

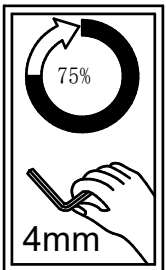
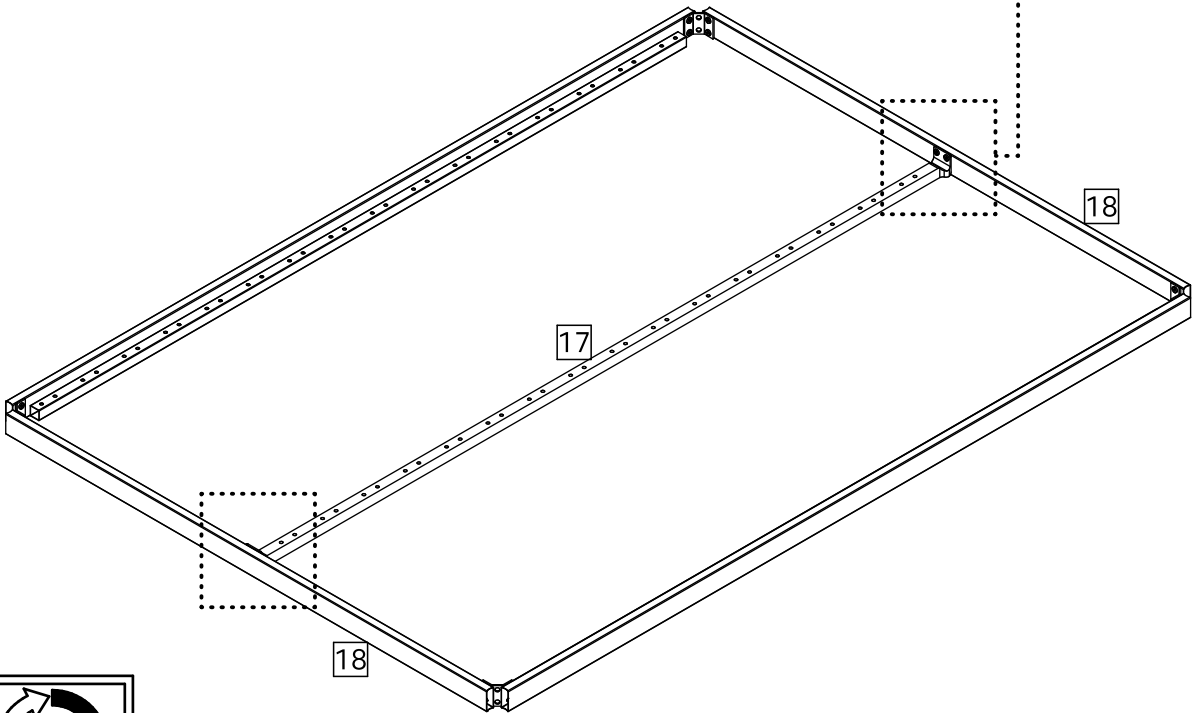
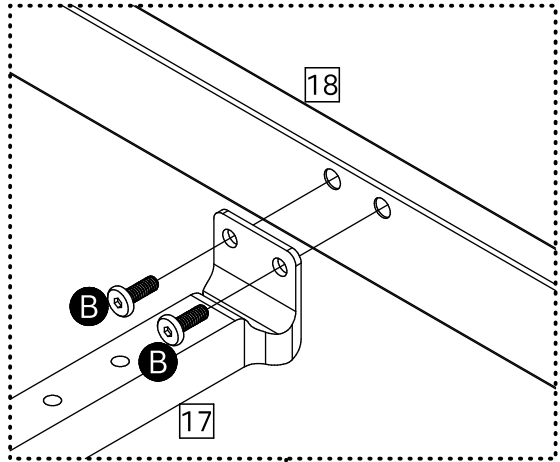
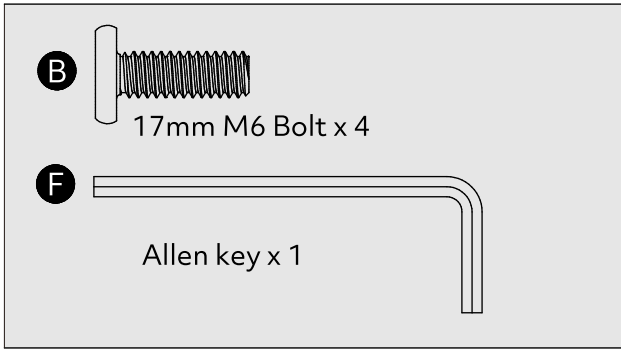


43 Connector Bar x4  
(50mm)

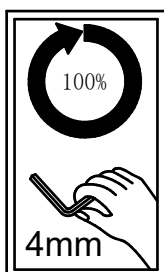
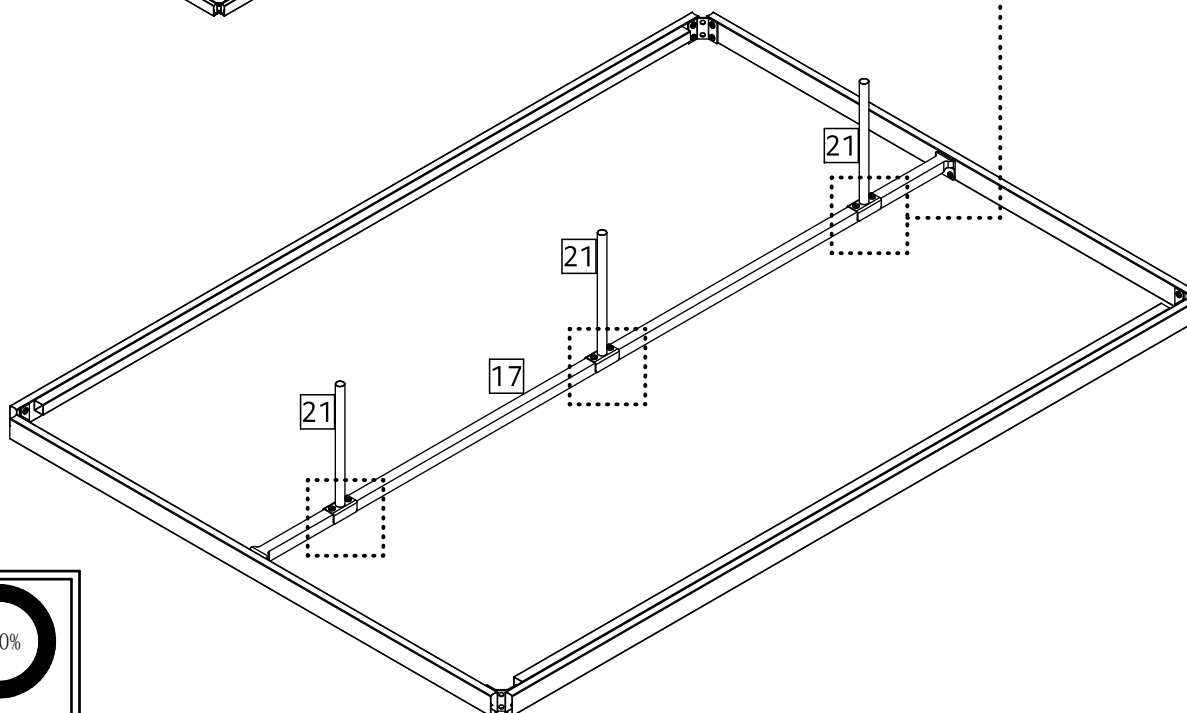
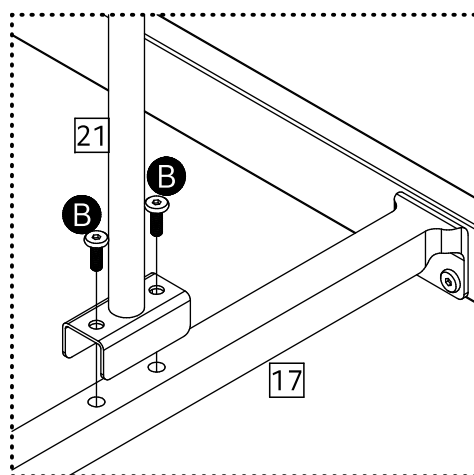
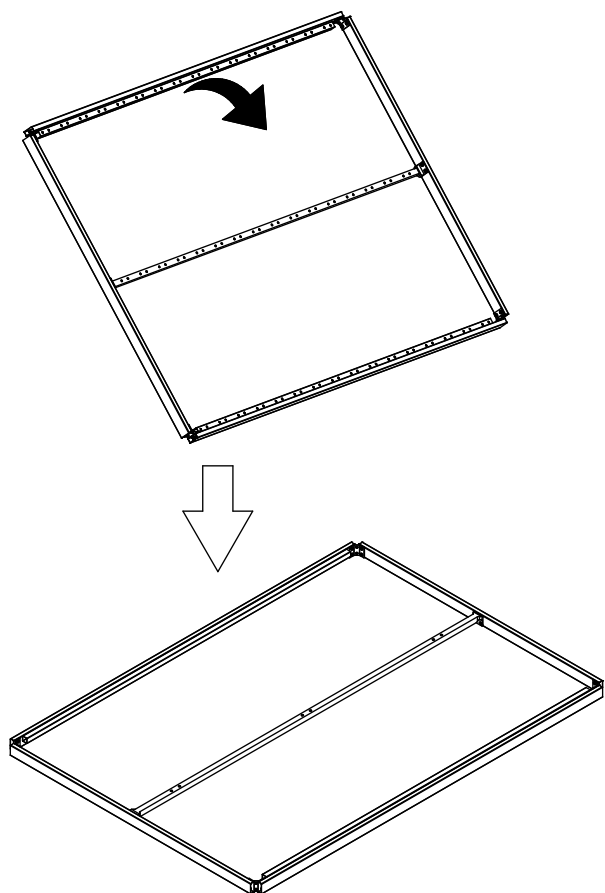
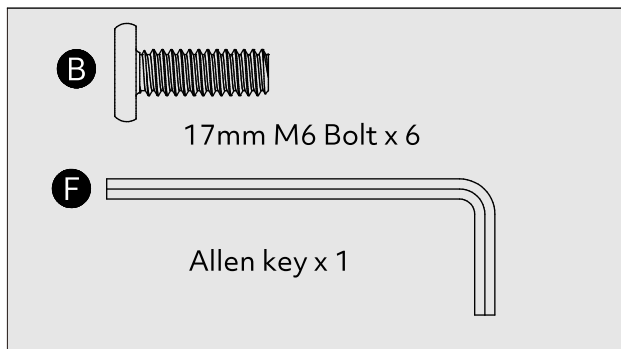
# 1



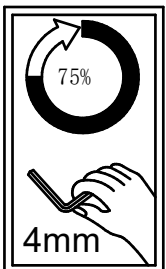
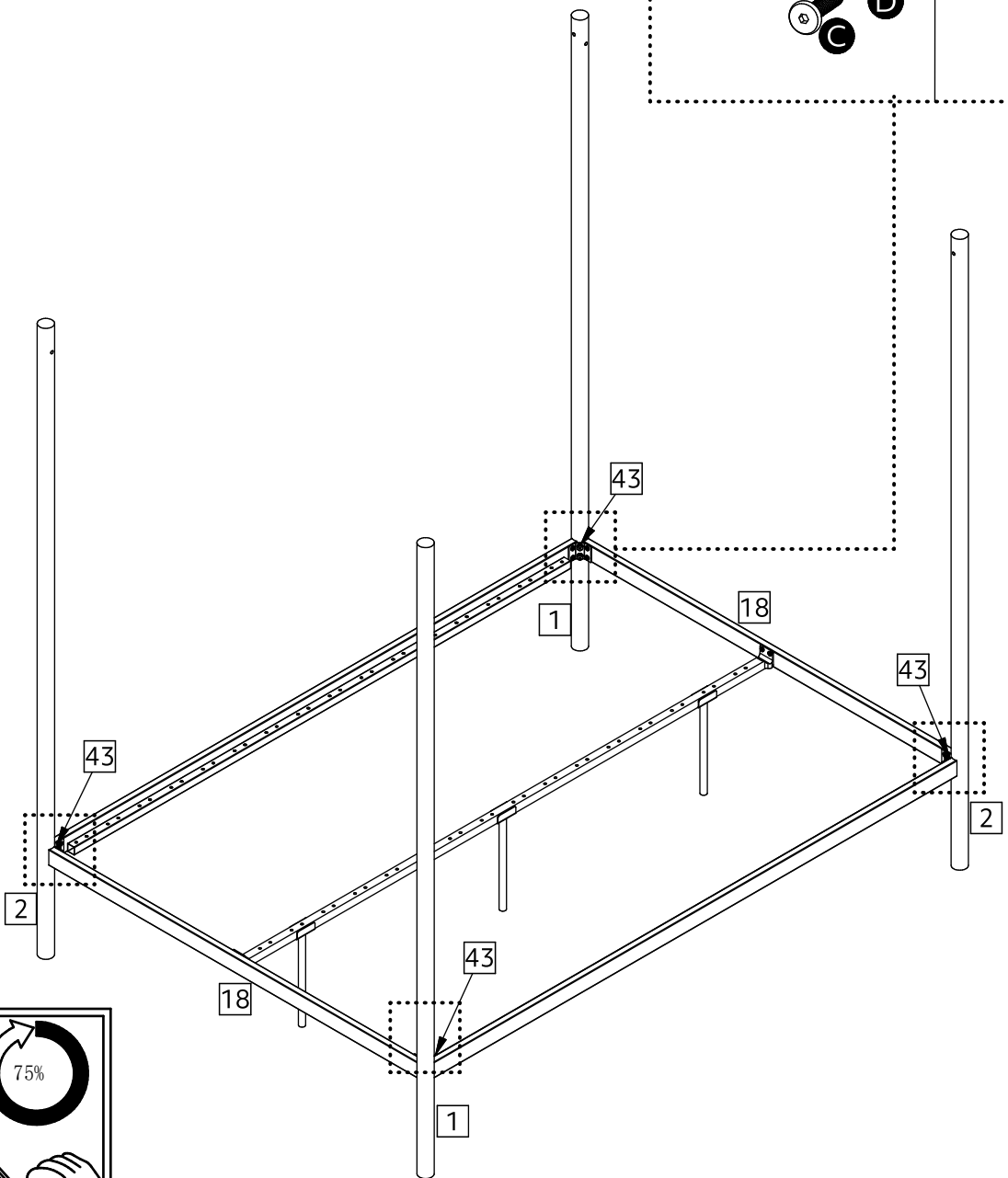
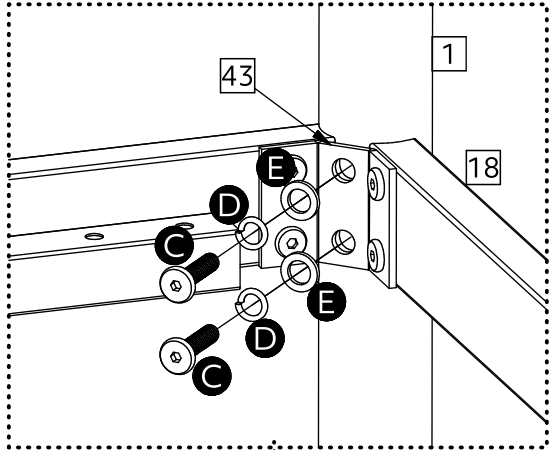
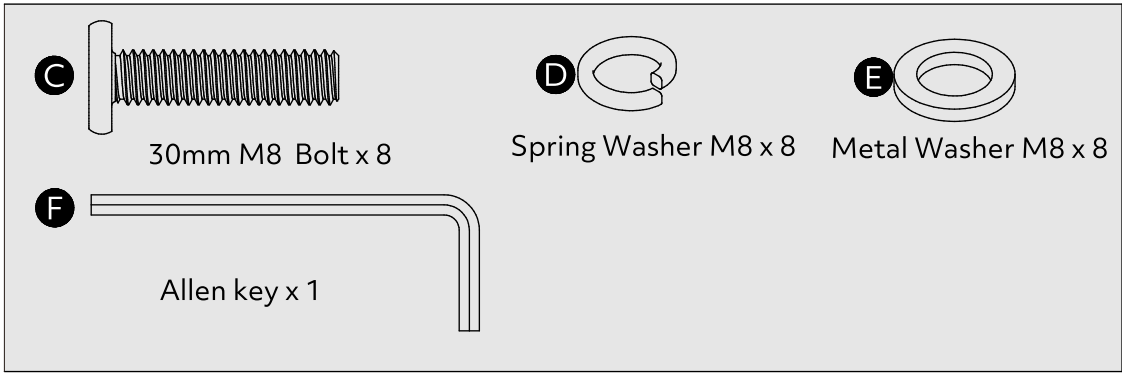
# 2



# 3

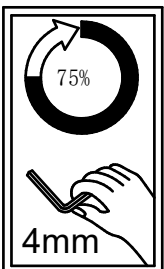
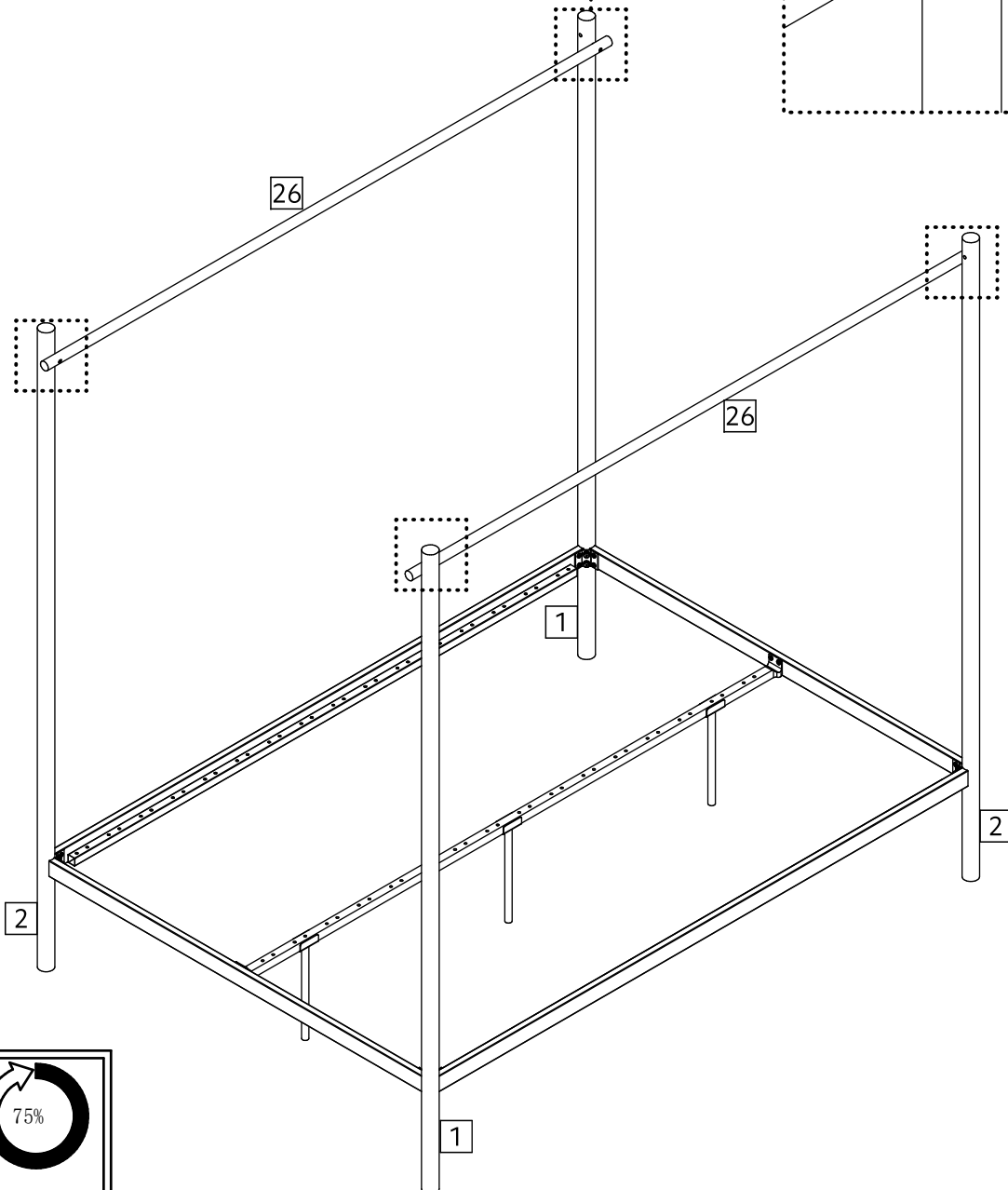
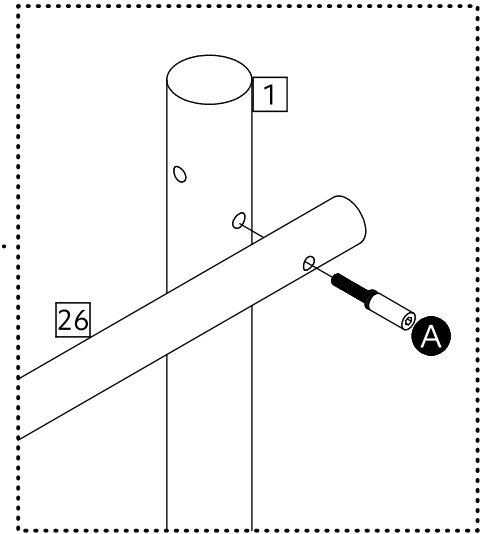
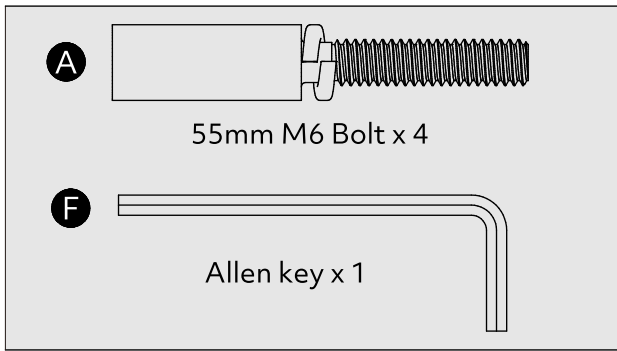


# 4

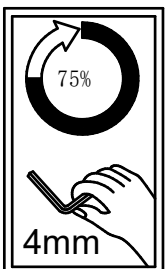
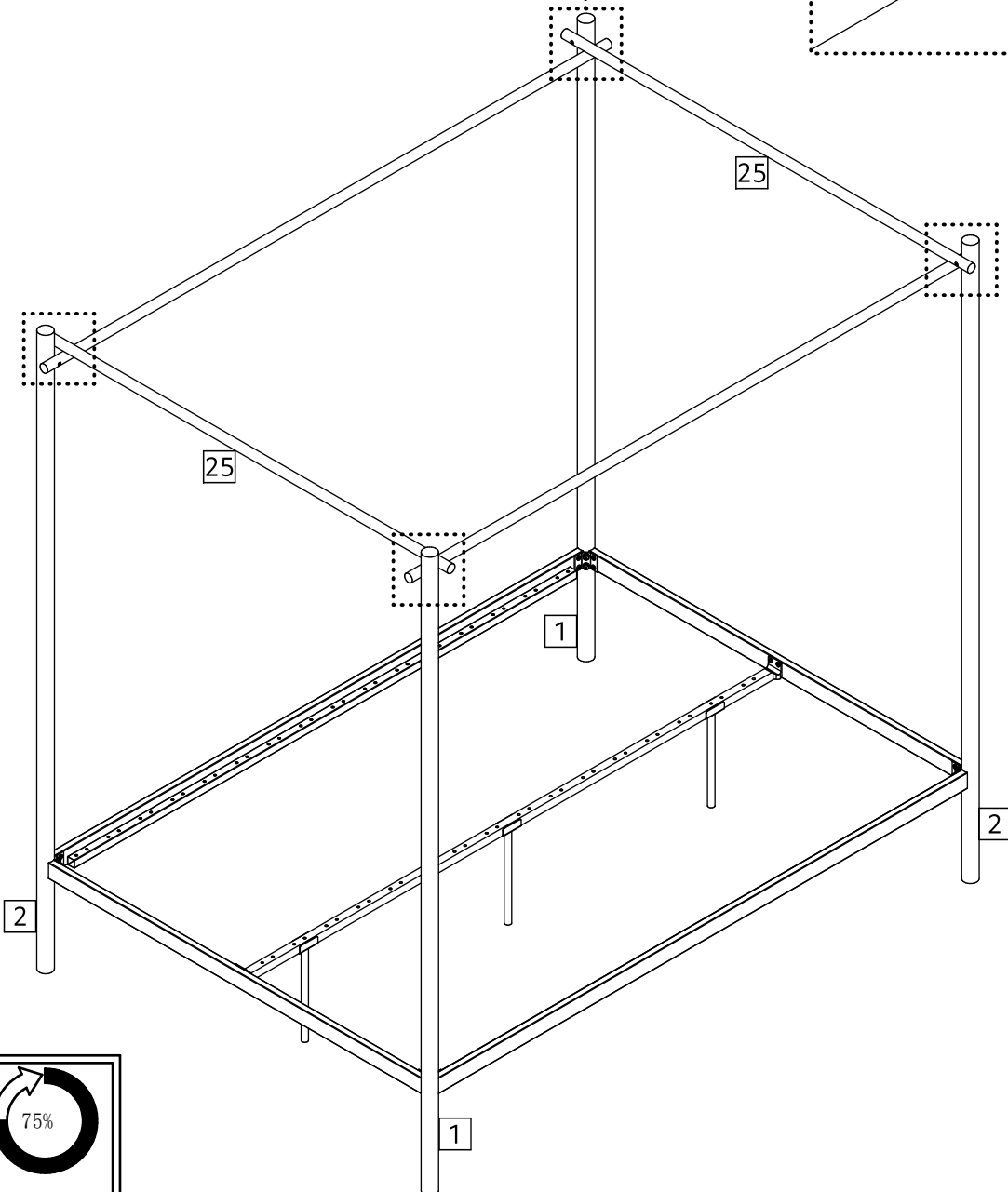
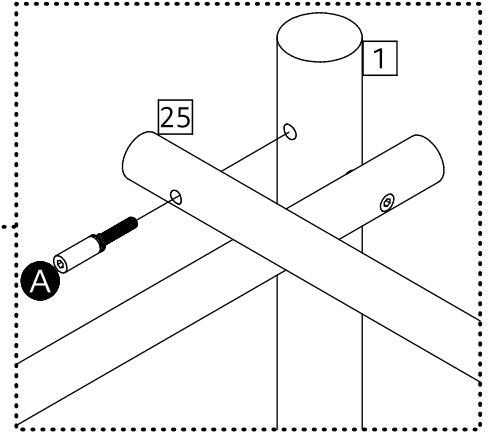
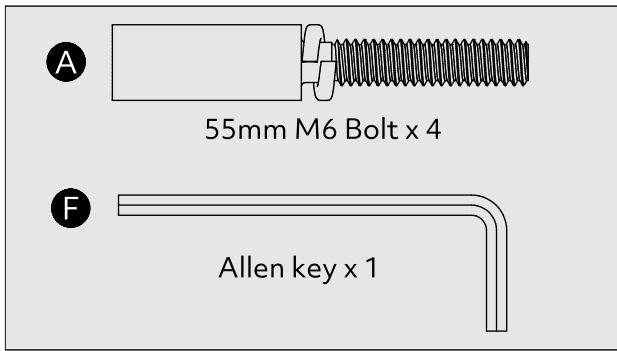




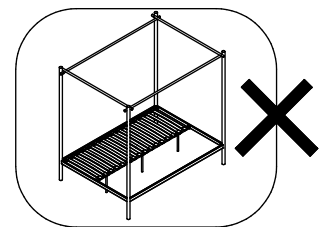
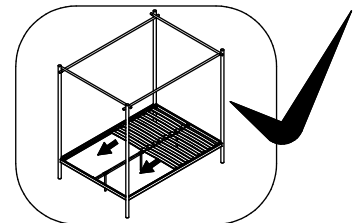
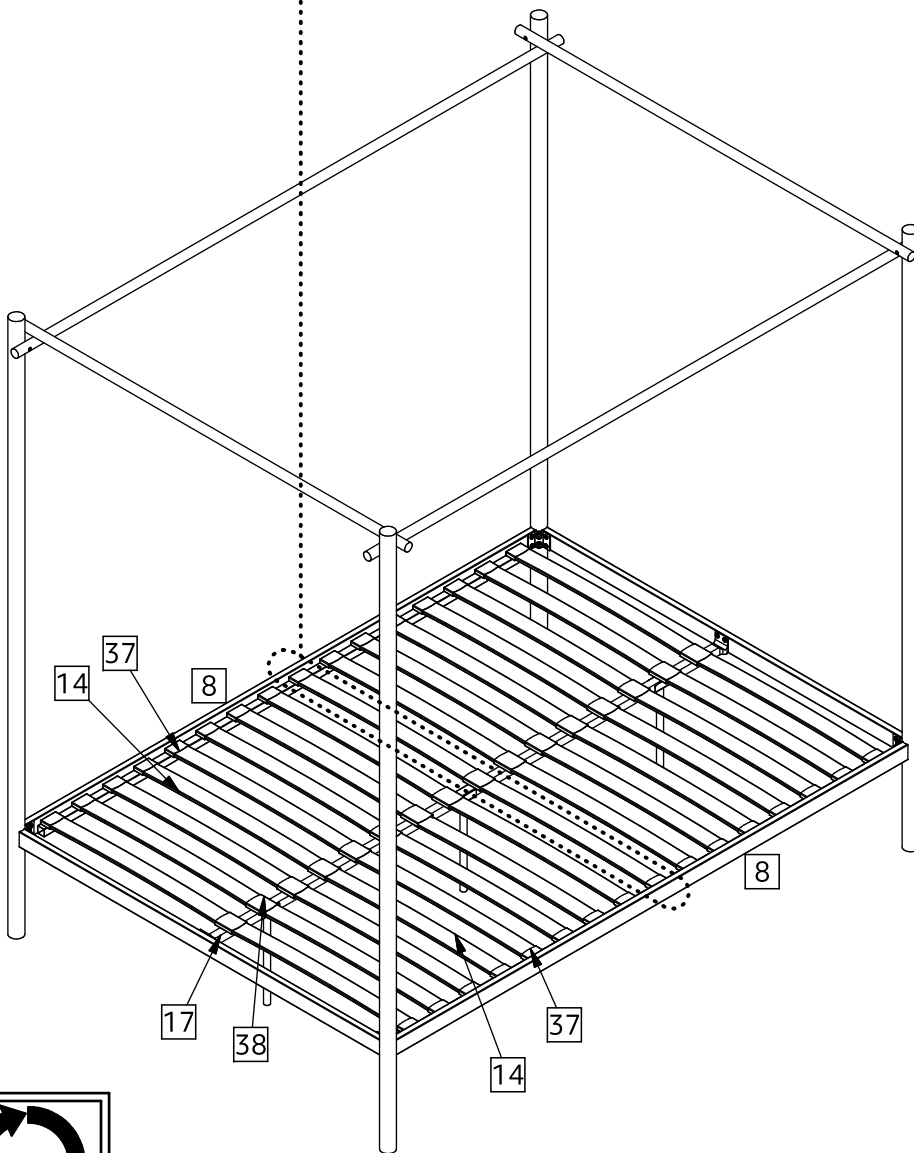
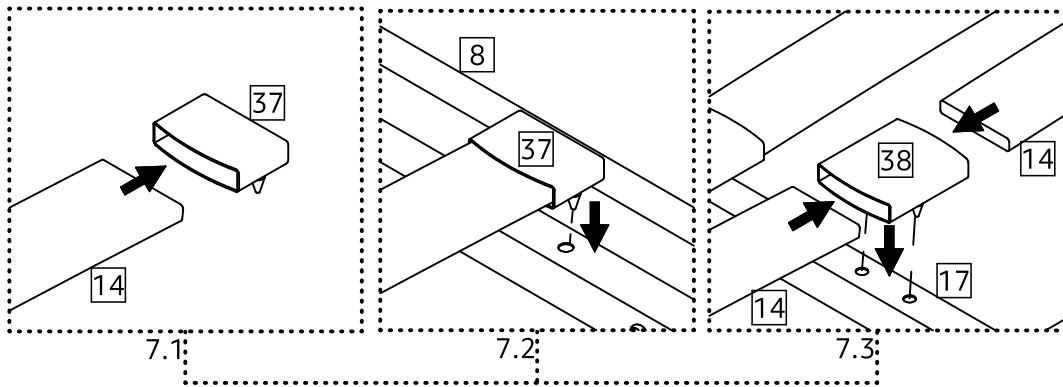
# 5



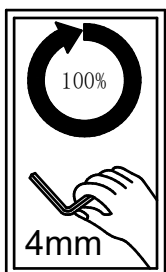
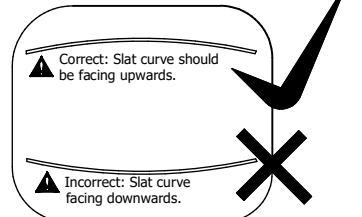
# 6



# 7



### SLAT WARNING



Assembly is complete

Fully tighten all the bolts to finish the assembly.