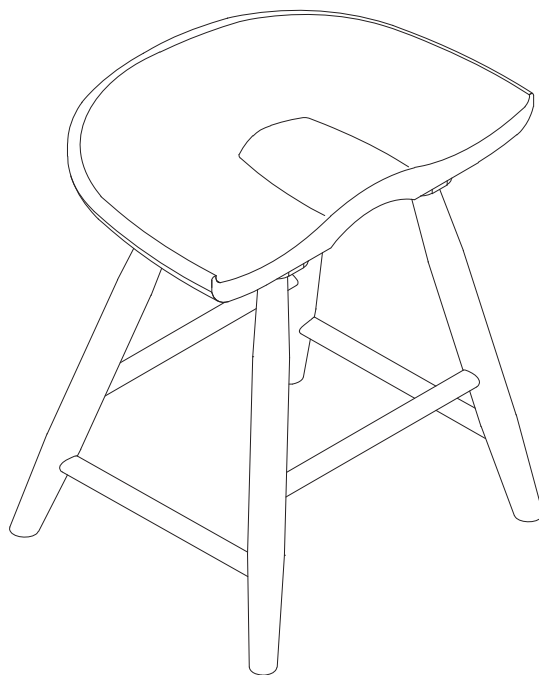


# Barnwell Stool



## Spare Parts

 [www.argos-support.co.uk](http://www.argos-support.co.uk)

 [Help@ClickSpares.co.uk](mailto:Help@ClickSpares.co.uk)

 0370 112 1928

## Customer Support

 0345 640 2020



# Safety and Care Advice

---

## Product Details

Barnwell Wooden Stool Short / 4588195

## IMPORTANT, RETAIN FOR FUTURE REFERENCE: READ CAREFULLY.

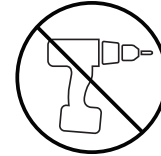
- Keep children and animals away from the work area, small parts could choke if swallowed.

- Make sure you have enough space to layout the parts before starting.

- This product has been constructed to be used in the domestic environment only and not for commercial purposes.

- Assemble the item as close to its final position (in the same room) as possible.

- Assemble on a soft level surface to avoid damaging the unit or your floor.



- We do not recommend the use of power drill/drivers for inserting screws as this could damage the unit. Only use hand screwdrivers.

- Parts of the assembly will be easier with 2 people.

- Dispose of all packaging carefully and responsibly.

## Care and maintenance

---

- Only clean using a damp cloth and mild detergent. Do not use abrasive cleaners.

- Use a dry cloth to clean the product, furniture polish is not recommended.

- From time to time check that there are no loose screws, nuts or bolts. If there are please re-tighten.

- This product should not be discarded with household waste. Take to your local authority waste disposal centre.

## Additional Guidance

---

- Assemble all parts and bolts loosely during assembly, only once the product is complete should you fully tighten the bolts.

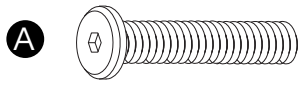
- Regularly check and ensure that all bolts and fittings are tightened properly.

- Maximum user weight 100kg

- This product is compliant EN12520

# Fittings (Shown to scale)

## Bag 1



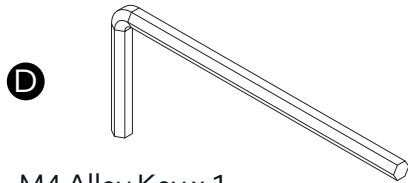
M6x30mm Bolt x 6



Spring Washer x 6



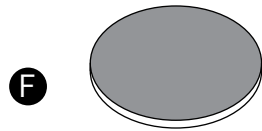
Flat Washer x 6



M4 Alley Key x 1



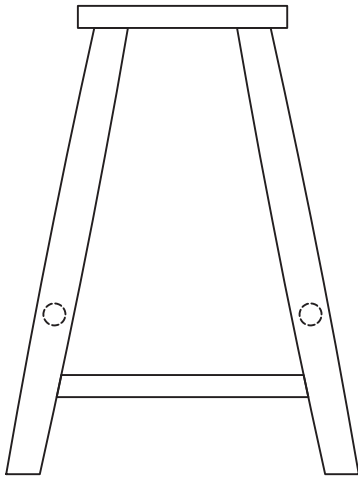
Ø4x35mm Screw x 4



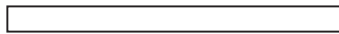
Ø25mm Felt pad x 4

# Parts

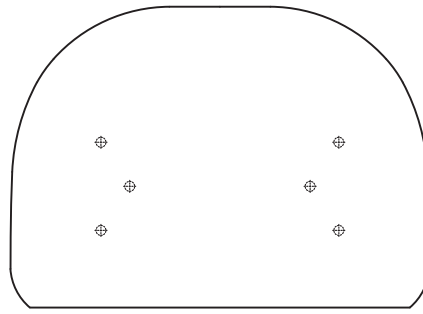
---



1 Side Leg Frame x 2  
(425 x 320mm)

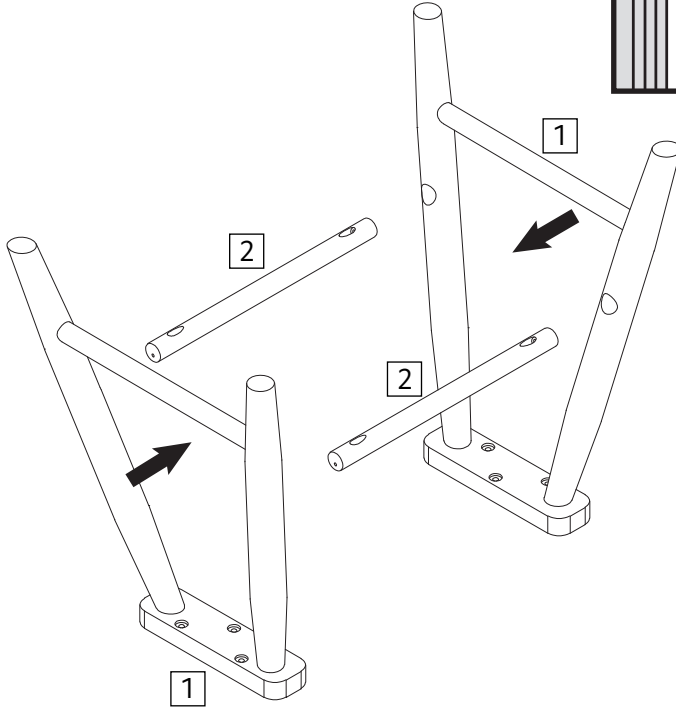
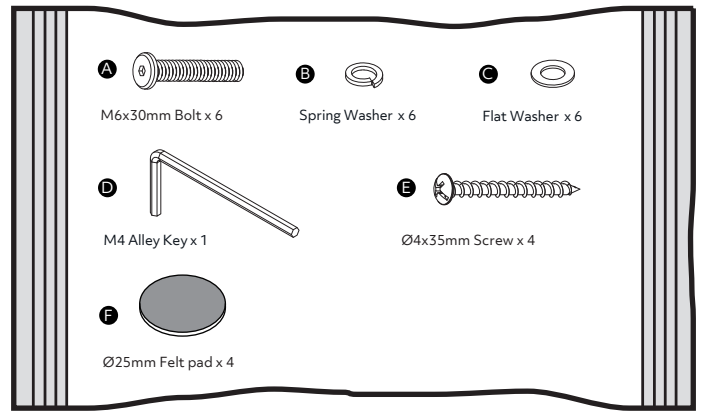


2 Support Rail x 2  
(283 x 20mm)

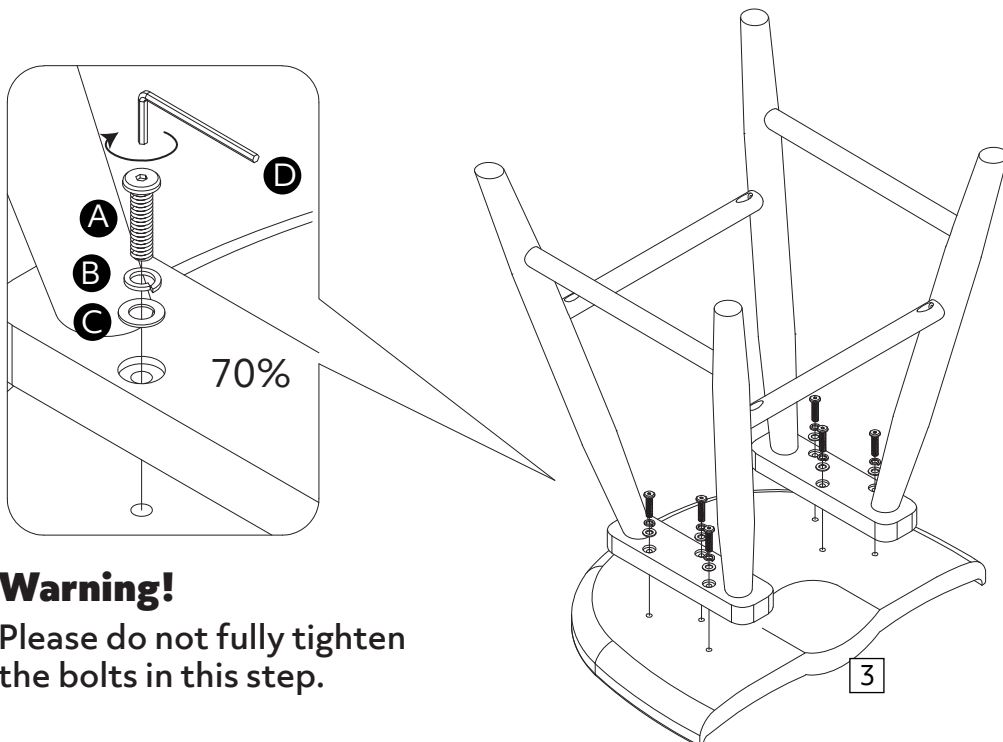


3 Seat x 1  
(385 x 273mm)

# 1



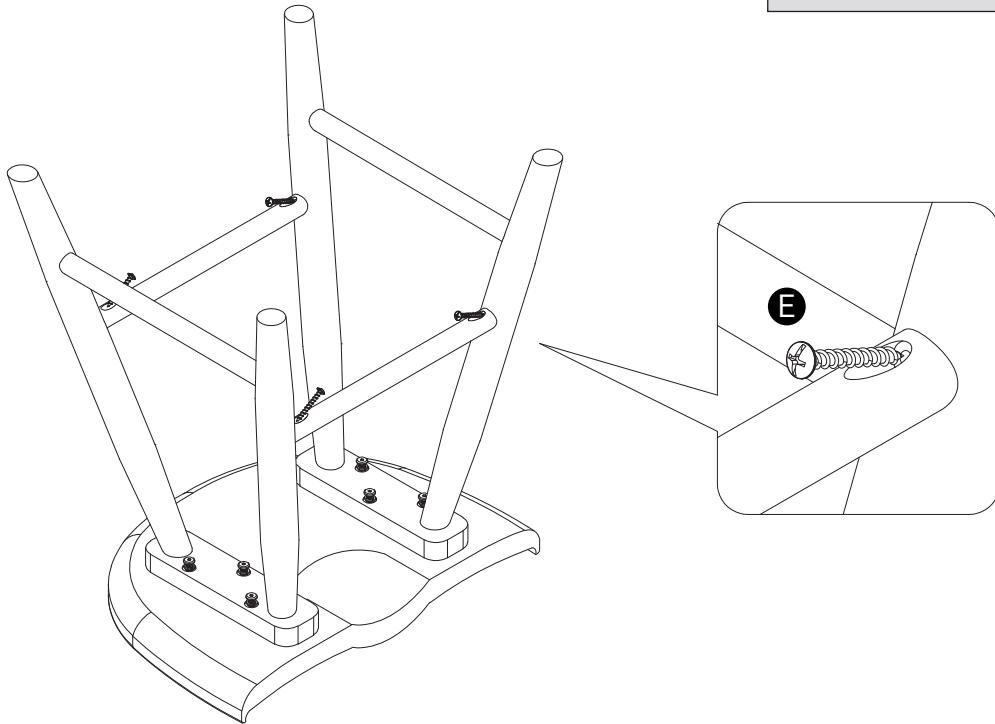
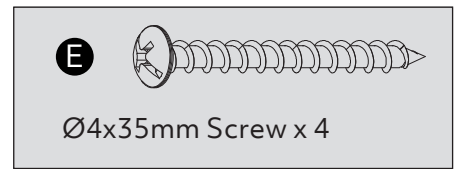
# 2



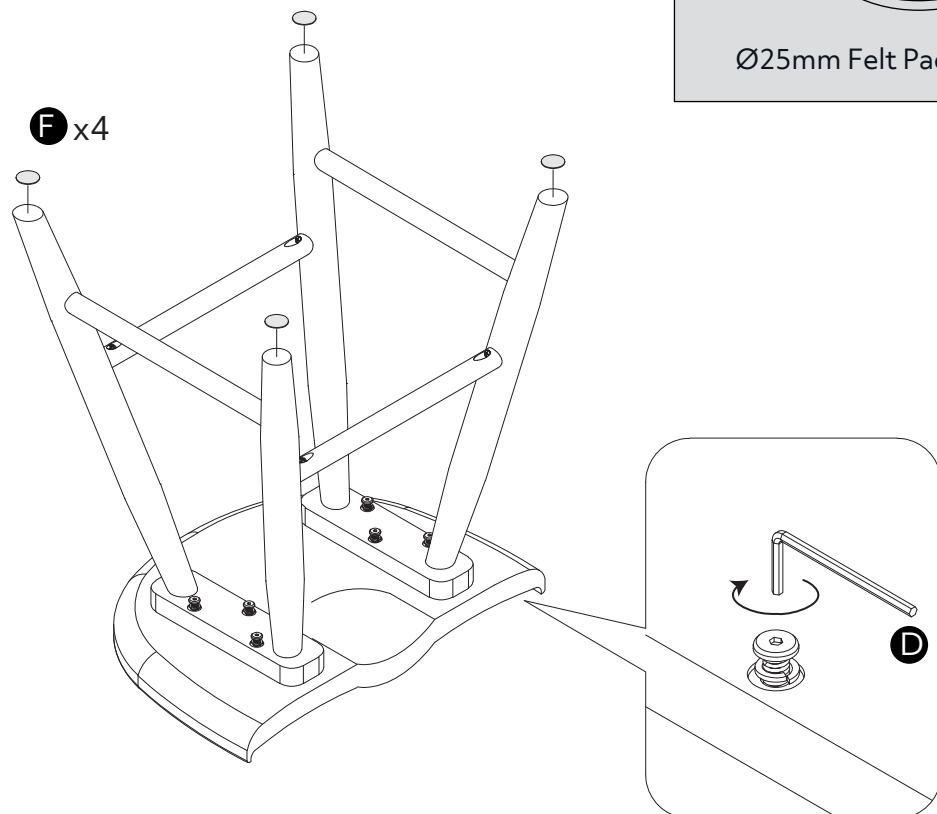
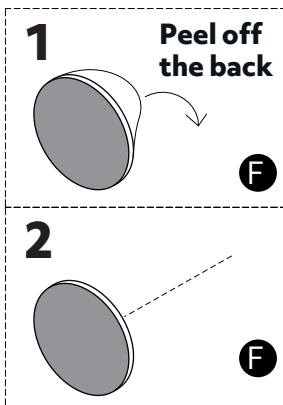
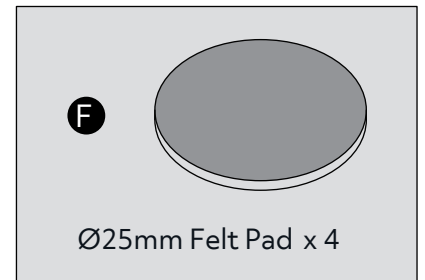
## Warning!

Please do not fully tighten the bolts in this step.

# 3



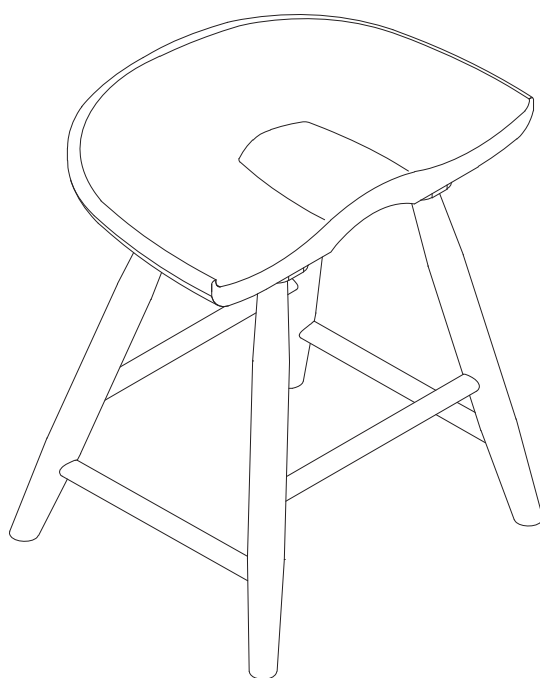
# 4



## Warning!

Please do fully tighten all the bolts and screws in this step.

# 5



Assembly is complete.