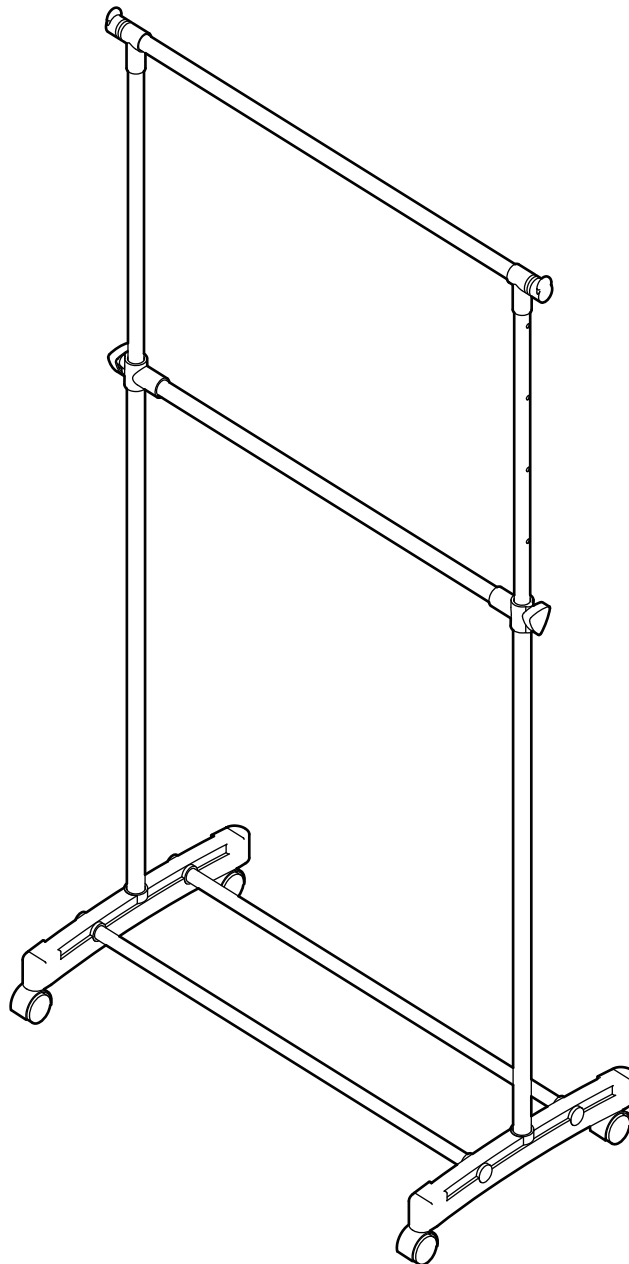


# Grey and Chrome Tidy Rail with Two Rails

Assembly Instructions - Please keep for future reference

875/5027



## Dimensions

Width - 84cm

Depth - 42cm

Height - 99.5/166cm

**Important** - Please read these instructions fully before starting assembly

If you need help or have damaged or missing parts, call the **Customer Helpline: 08456 400800**



# Safety and Care Advice

**Important - Please read these instructions fully before starting assembly**

- Check you have all the components and tools listed on page 2.
- Remove all fittings from the plastic bags and separate them into their groups.
- Keep children and animals away from the work area, small parts are a choking hazard.
- Make sure you have enough space to layout the parts before starting.

- Assemble on a pad to avoid damaging the unit or your floor.
- Parts of the assembly will be easier with 2 people.
- If using power tools, please follow the safety instructions supplied with the tools.
- Assemble the unit as close to its final position (in the same room) as possible.



- We do not recommend the use of power drill/drivers **for inserting screws**, as this could damage the unit. Only use hand screwdrivers.
- Dispose of all packaging carefully and responsibly.

## Care and maintenance

- Only clean using a damp cloth and mild detergent, do not use bleach or abrasive cleaners.
- From time to time check that there are no loose screws on this unit.
- This product should not be discarded with household waste. Take to your local authority waste disposal centre.

# Components - Panels

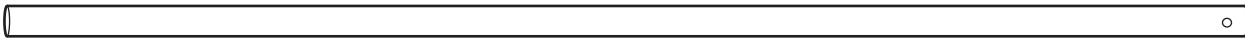
If you have damaged or missing components, call the **Customer Helpline: 08456 400800**

Please check you have all the panels listed below

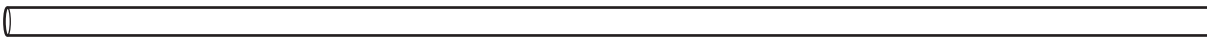
**1** Hanger x 1



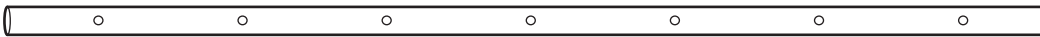
**2** Lower side support x 2



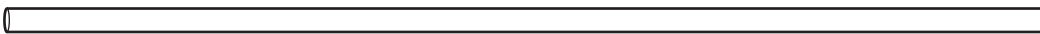
**3** Top crossbar x 1



**4** Upper side support x 2 (Inserted inside component B)



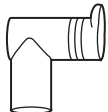
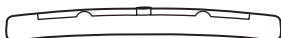


**5** Bottom crossbar x 2



# Components - Fittings

Please check you have all the fittings listed below

**Note:** The quantities below are the correct amount to complete the assembly. In some cases more fittings may be supplied than are required.

<p><b>A</b></p>  <p>Connector x 4</p>	<p><b>B</b></p>  <p>Leg section x 2</p>	<p><b>C</b></p>  <p>Castor x 4</p>
<p><b>D</b></p>  <p>Lock x 2</p>		

# Assembly Instructions

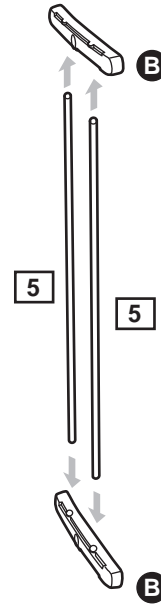
## Step 1

### Fitting the Leg section

**Note:** It would be useful to ask someone to help you at this stage.

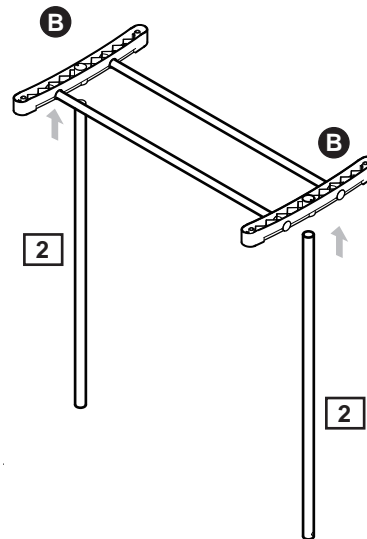
**a:** Insert Bottom crossbar **5** into the Leg section **B**

**a:**



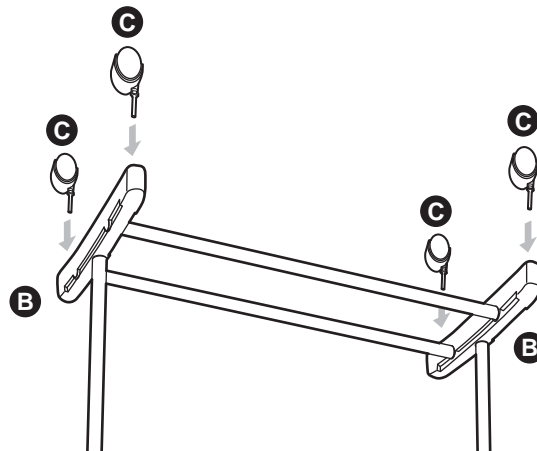
**b:** Insert Lower side support **2** into the Leg section **B**.

**b:**



**c:** Insert Castors **C** into the Leg section **B**.

**c:**



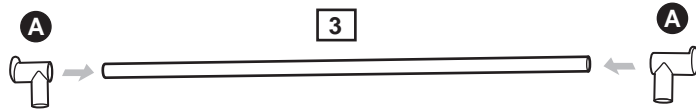
# Assembly Instructions

## Step 2

### Fitting the Rail

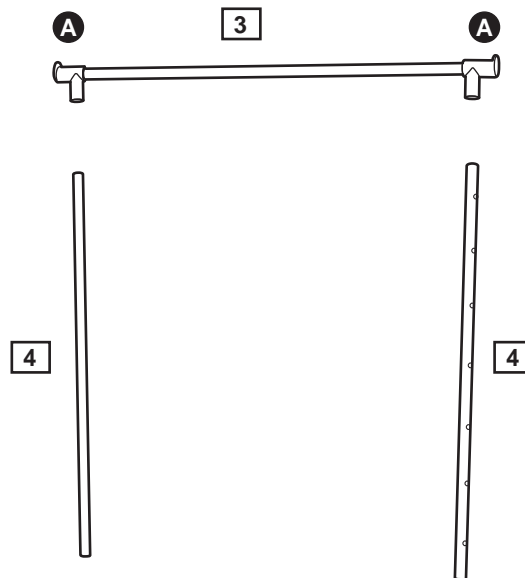
**a:** Insert Top crossbar **3** into the Connectors **A**.

**a:**



**b:** Insert Upper side support **4** into the Connectors **A**.

**b:**



# Assembly Instructions

## Step 3

### Fitting the Hanger

**a:** Insert Hanger **1** into the Locks **D**.

**b:** Insert Locks **D** into the Lower side support **2**.

Insert Locks **D** into the bottom of Upper side support **4**.

**Note:** Align all the holes of the Lower side support **2**, Upper side support **4** & Locks **D** before locking.

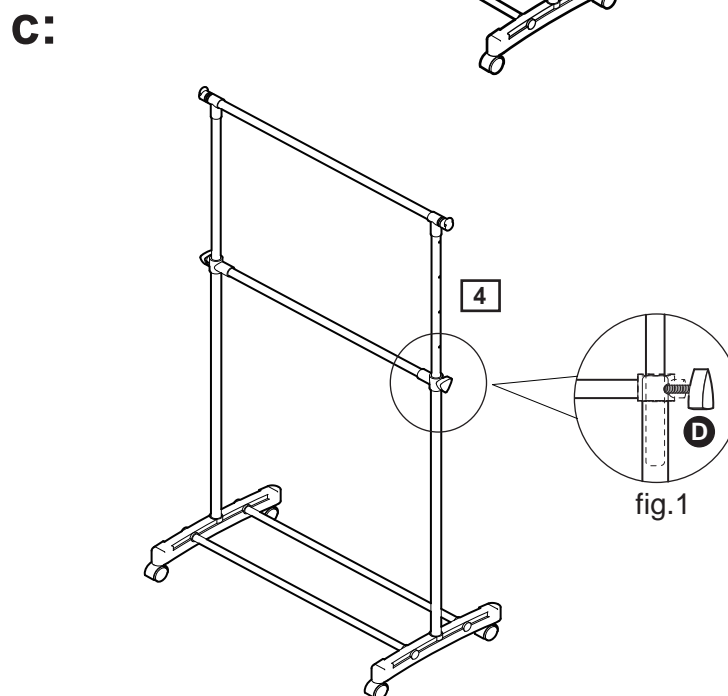
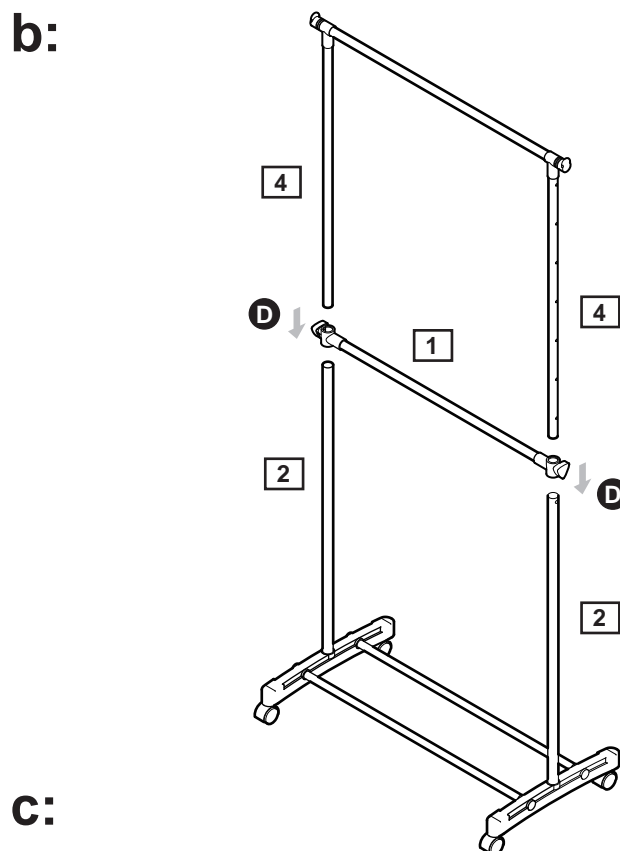
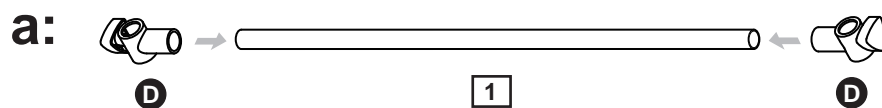
### C: Set the height of the unit

Ensuring the Locks **D** are loosened, slide the Upper side support **4** to the desired height and tighten the Locks **D** to affix in position as shown in fig.1.

Adjustment Range:  
99.5-166 cm.

**Note:** Please hold Upper side support **4** and pull downward. It will be fixed if locked or will glide downward if unlocked.

**Assembly is complete.**



If you need help or have damaged or missing parts, call the **Customer Helpline: 08456 400800**