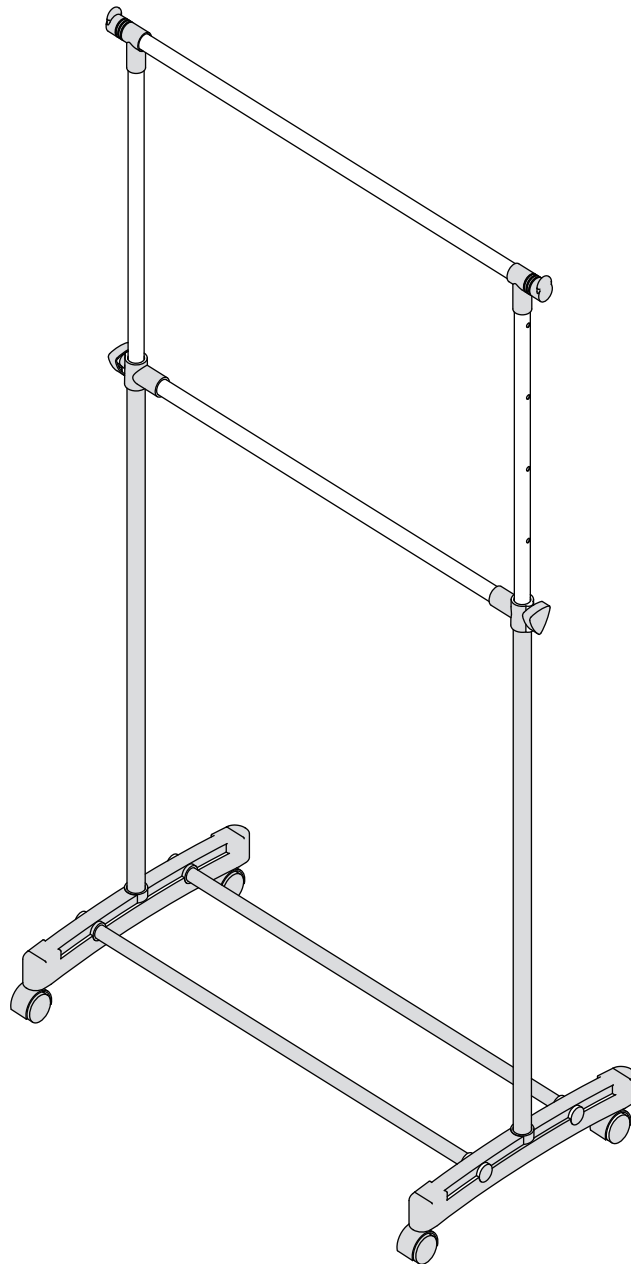


# Grey And Chrome Tidy Rail With Two Rails

Assembly Instructions – Please keep for future reference

875/5027



## Dimensions

Width - 84 cm

Depth - 42 cm

Height - 99.5 / 166 cm

**Important - Please read these instructions fully before starting assembly**

If you need help or have damaged or missing parts, call the Customer Helpline: 08456 400800



# Safety and care advice

**Important - Please read these instructions fully before starting assembly**

- Check you have all the components and tools listed on pages 2 and 3.
- Remove all fittings from the plastic bags and separate them into their groups.
- Keep children and animals away from the work area, small parts could choke if swallowed.
- Make sure you have enough space to layout the parts before starting.
- Assemble the unit as close to its final position (in the same room) as possible.

- Assemble on a soft level surface to avoid damaging the unit or your floor.
- Parts of the assembly will be easier with 2 people.
- If using power tools, please follow the safety instructions supplied with the tools.



- We do not recommend the use of power drill/ drivers for inserting screws, as this could damage the unit. Only use hand screwdrivers.
- Dispose of all packaging carefully and responsibly.

## Care and maintenance

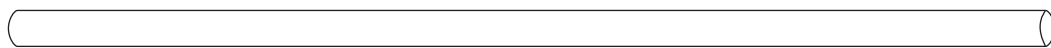
- Only clean using a damp cloth and mild detergent, do not use bleach or abrasive cleaners.
- From time to time check that there are no loose screws on this unit.
- This product should not be discarded with household waste. Take to your local authority waste disposal centre.

Note: if required the next page can be cut out and used as a reference throughout the assembly. Keep this page with these instructions for future reference.

# Components – Parts

Please check you have all the panels listed below

Ⓐ 1 x Hanger



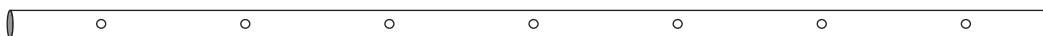
Ⓑ 2 x Lower Side Support



Ⓒ 1 x Top Crossbar



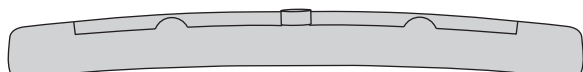
Ⓓ 2 x Upper Side Support (Inserted inside component B)



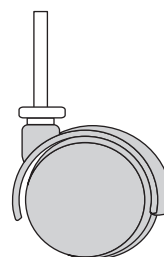
Ⓔ 2 x Bottom Crossbar



Ⓕ 2 x Leg Section



Ⓖ 4 x Castor

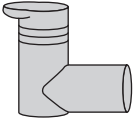
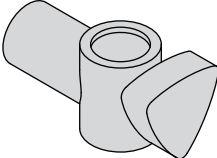


# Components–Fittings

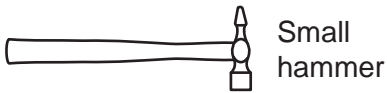
If you have damaged or missing components, call the Customer Helpline: 08456 400800

Please check you have all the fittings listed below

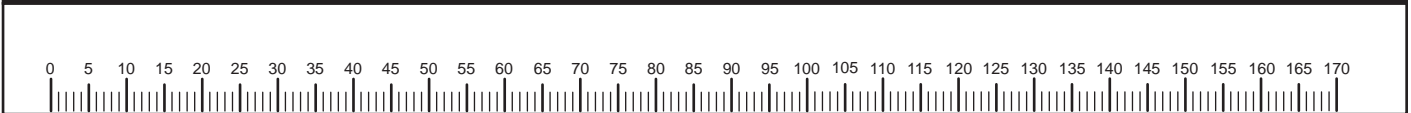
Note: The quantities below are the correct amount to complete the assembly. In some cases more fittings may be supplied than are required.

<p><b>A</b></p> <p>Connector x 2</p> 	<p><b>B</b></p> <p>Lock x 2</p> 	
--	---	--

## Tools required



## Ruler - Use this ruler to help correctly identify the screws

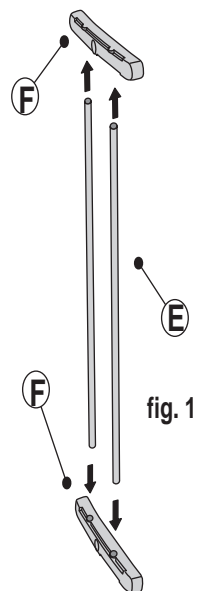


# Assembly Instructions

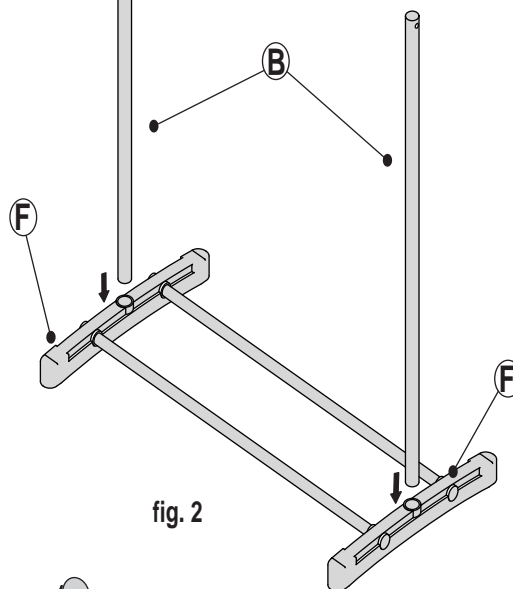
## Stage 1 – Fitting the Feet

**NOTE:** It would be useful to ask someone to help you at this stage.

1. Insert Bottom Crossbar (E) into the Leg Section (F).  
See fig. 1.



2. Insert Lower Side Support (B) into the Feet (F).  
See fig. 2.



3. Insert Castors (G) into the Feet (F).  
See fig. 3.

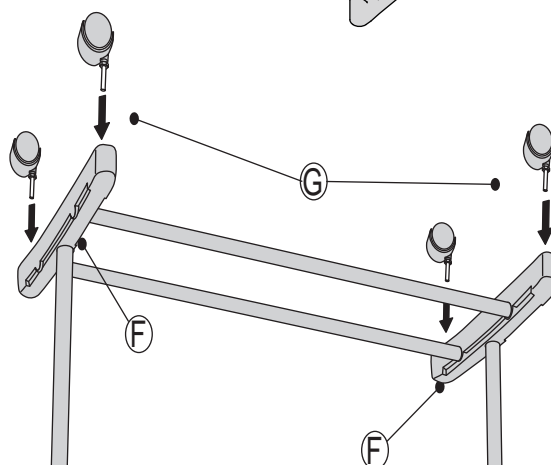


fig. 3

# Assembly Instructions

## Stage 2 – Fitting the Rail

**NOTE:** It would be useful to ask someone to help you at this stage.

1. Insert Top Crossbar (C) into the Connectors (A).  
See fig. 4.

2. Insert Upper Side Support (D) into the Connectors (A).  
See fig. 5.

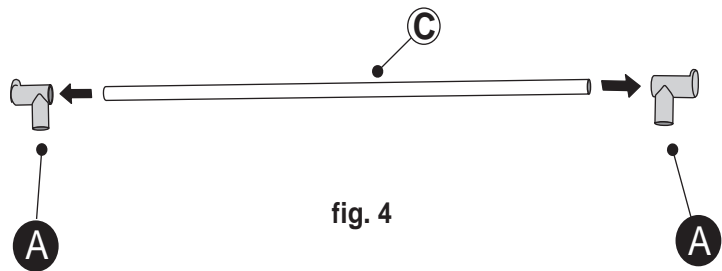


fig. 4

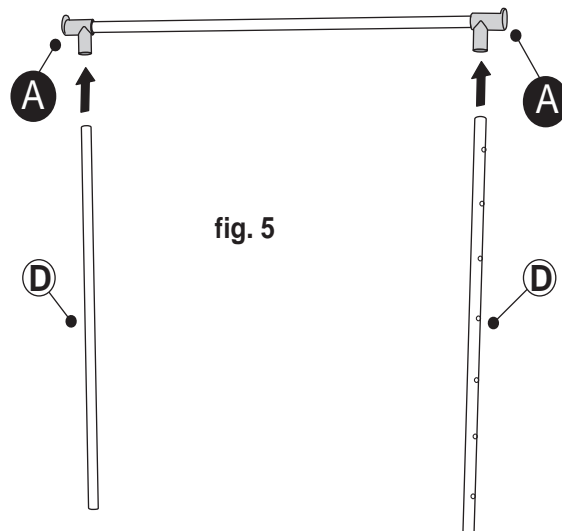


fig. 5

# Assembly Instructions

## Stage 3 – Fitting the Hanger

**NOTE:** It would be useful to ask someone to help you at this stage.

1. Insert Hanger (A) into the Lock (B).  
See fig. 6.

2. Insert Locks (B) into the Lower Side Support (B).  
See fig. 7.

3. Insert Locks (B) into the bottom of Upper Side Support (D).

**NOTES :** Align all the holes of the components (B), (D) & (B) before locking.

4. Set the height of the unit:  
Using the holes on Upper Side Support (D). Ensuring the Locks (B) are loosened See fig.8., slide the Upper Side Support (D) to the desired height and tighten the Locks (B) to fix in position.  
See fig. 9 . & fig. 10.  
Adjustment Range:99.5 ~ 167 cm.

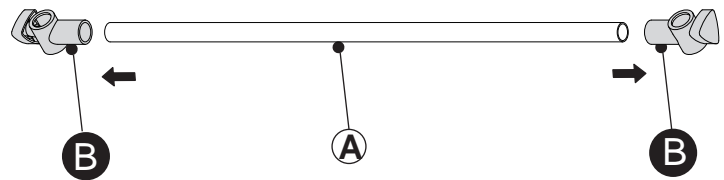


fig. 6

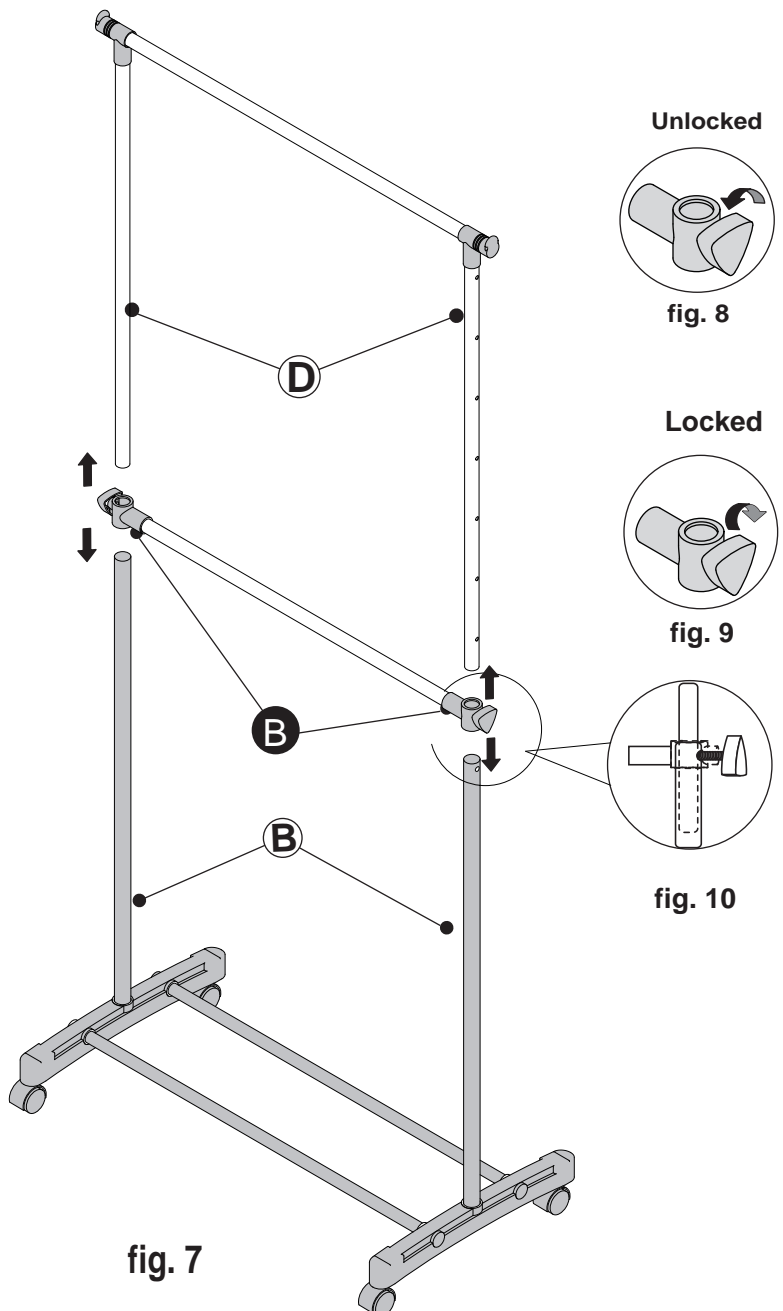


fig. 7

# Assembly Instructions

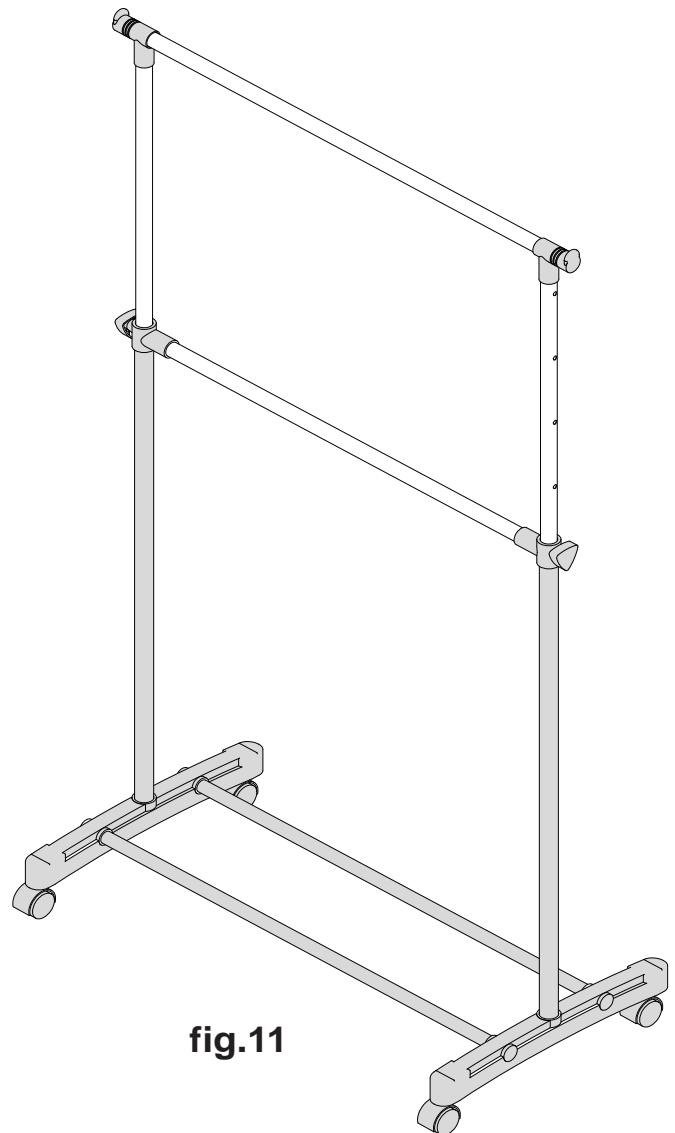
## Stage 4 – Finishing the Unit

**NOTE:** It would be useful to ask someone to help you at this stage.

1. Carefully place the unit in the desired location. See fig.11

And please hold Upper Side Support and pull downward. It'll be fixed if locked or will be glided downward if unlocked.

**NOTE:** Before use always make sure the unit is secure.



**fig.11**

If you need help or have damaged or missing parts, call the Customer Helpline: 08456 400800