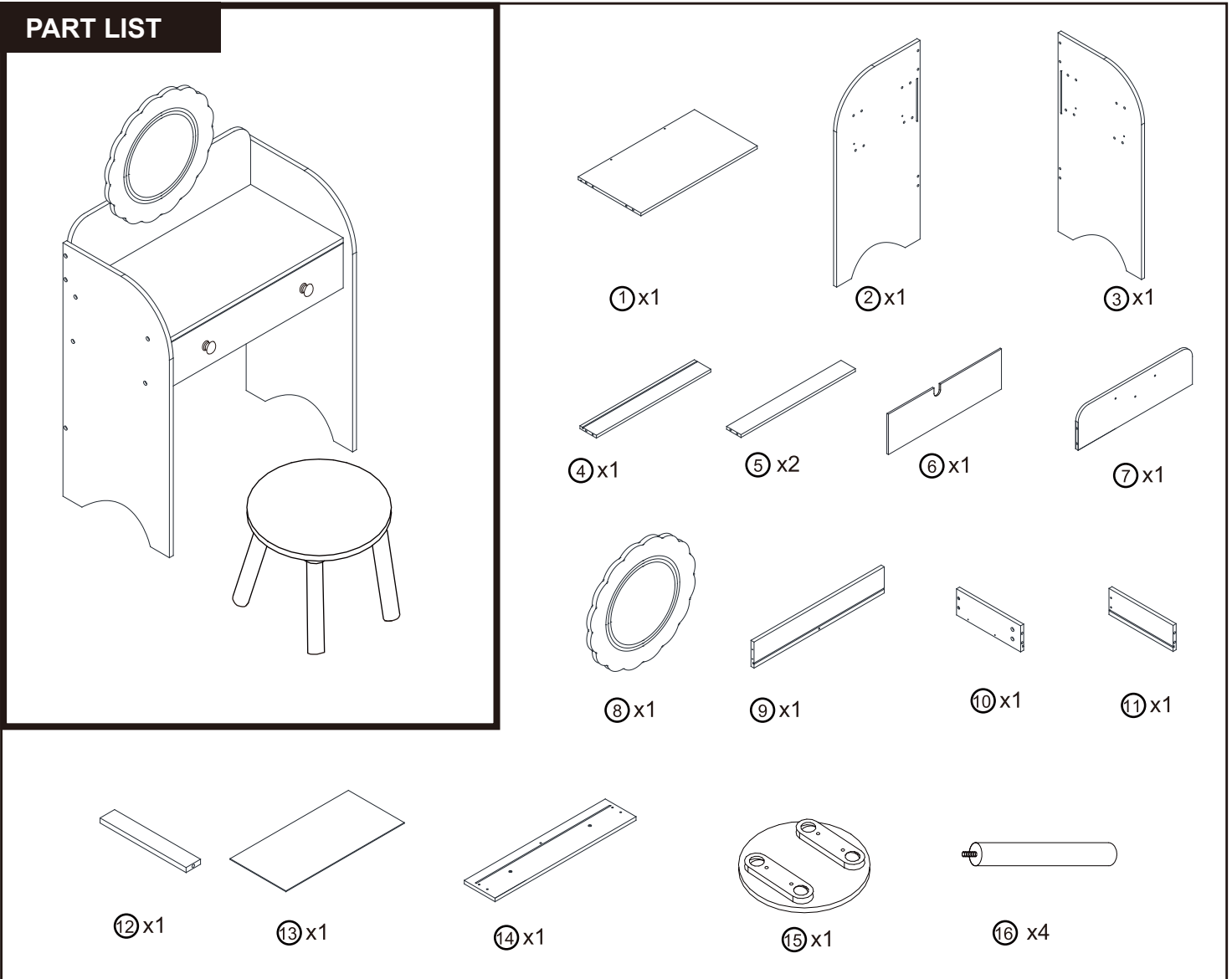
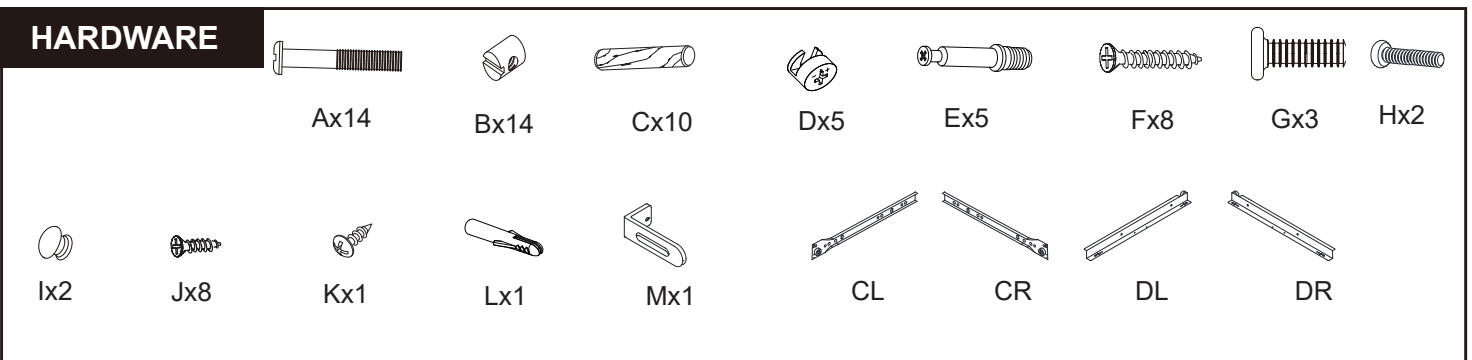


**IMPORTANT! RETAIN THESE INSTRUCTIONS FOR FUTURE REFERENCES.
ASSEMBLY TO BE CARRIED OUT BY A COMPETENT ADULT ONLY.**

PART LIST

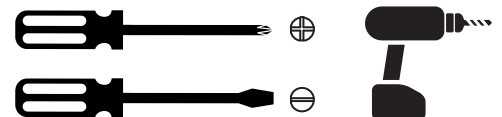


HARDWARE

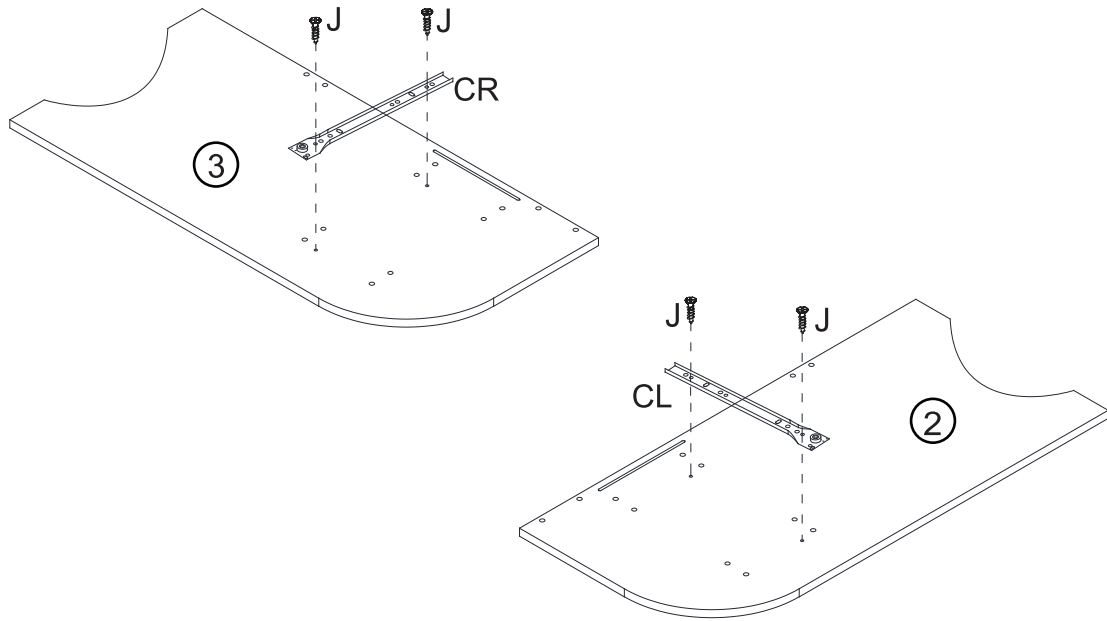


**TOOLS
REQUIRED**

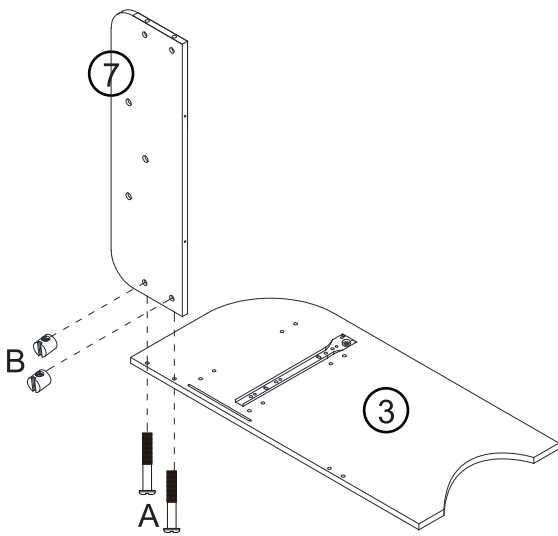
1. Phillips Head Screw Driver (not supplied)
2. Flat Head Screw Driver (not supplied)
3. Drill + 6mm Drill Bit (not supplied)



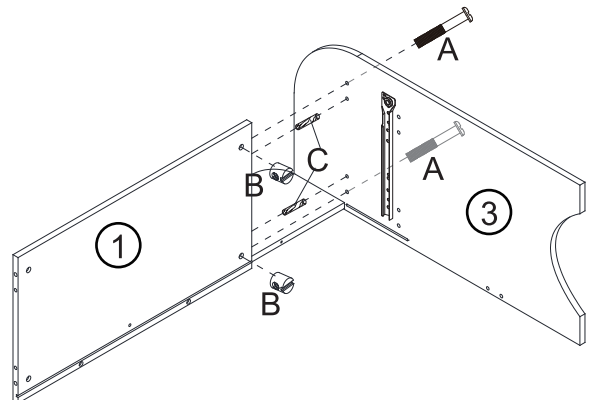
Step 1



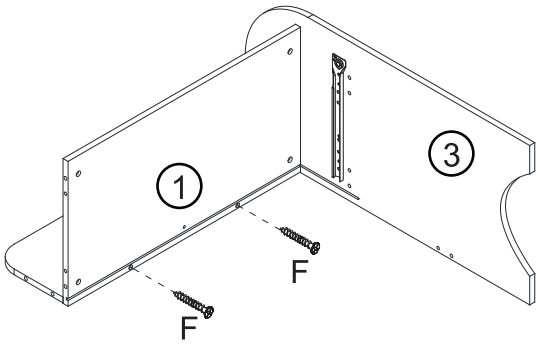
Step 2



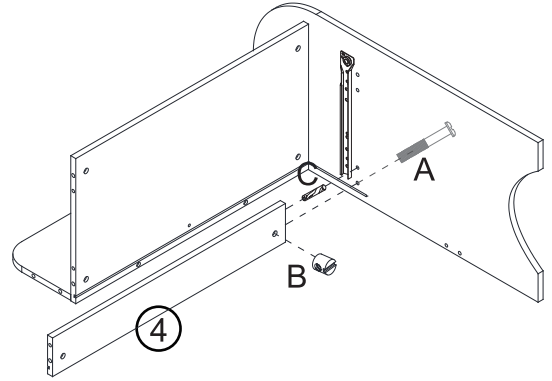
Step 3



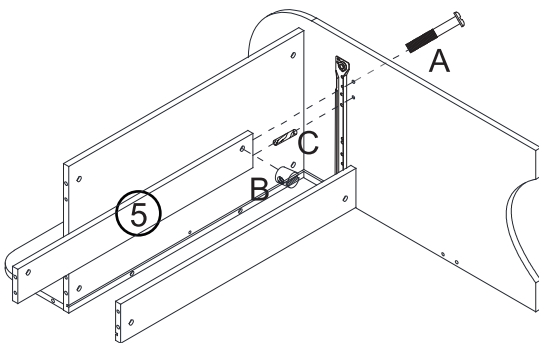
Step 4



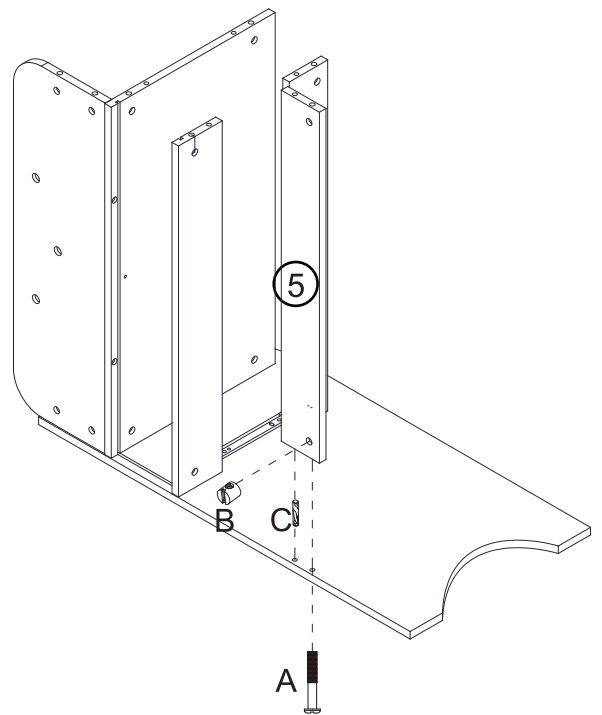
Step 5



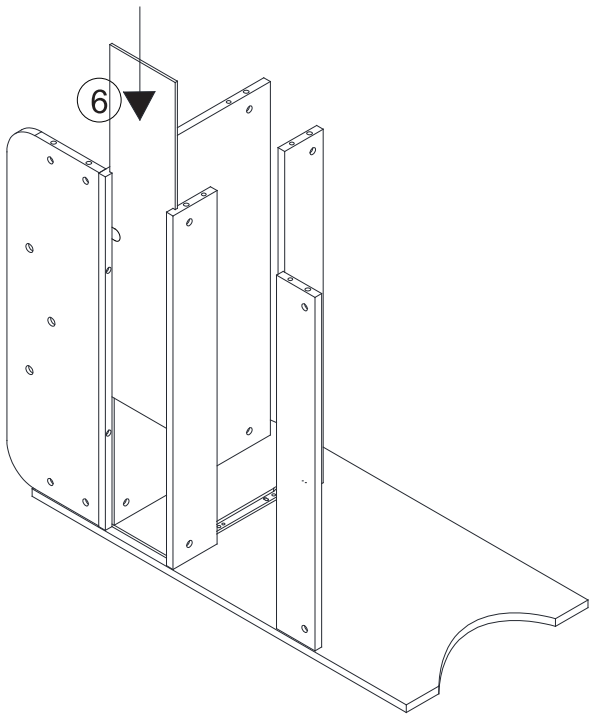
Step 6



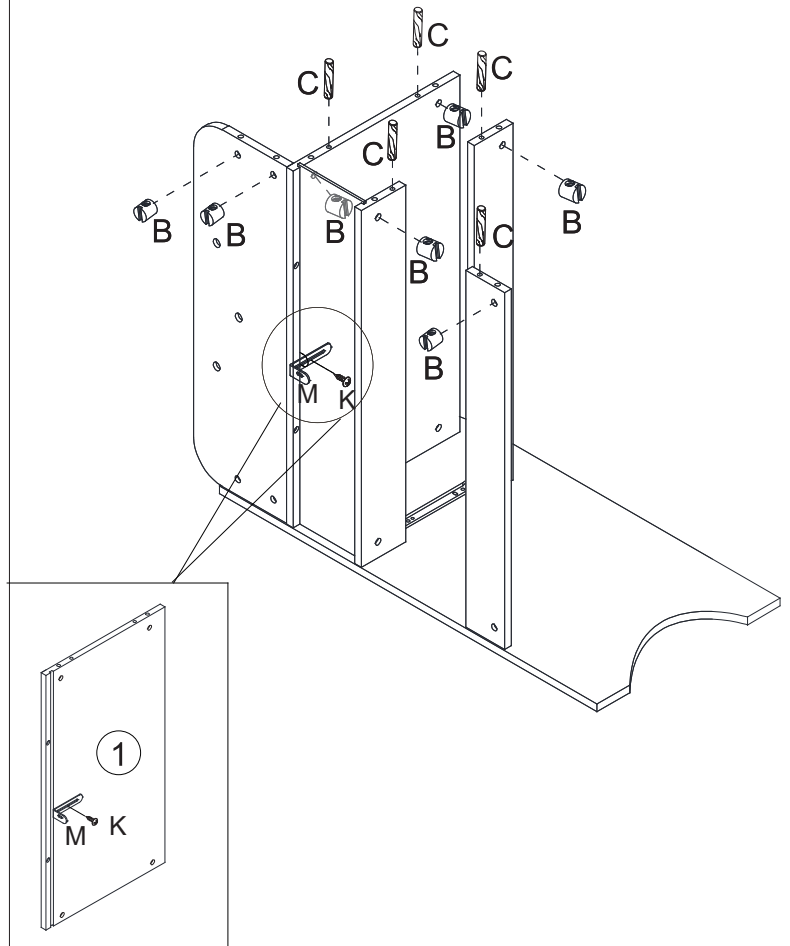
Step 7



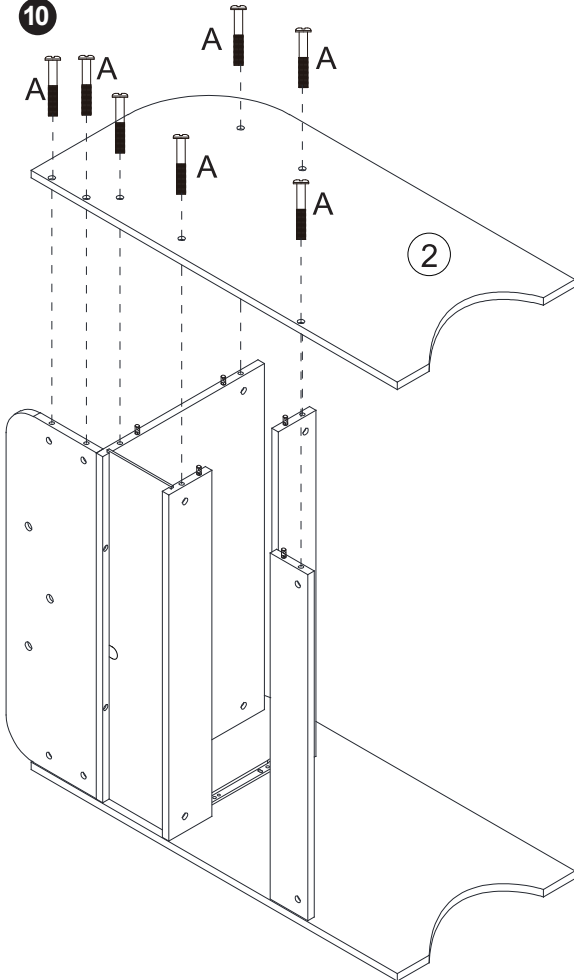
Step 8



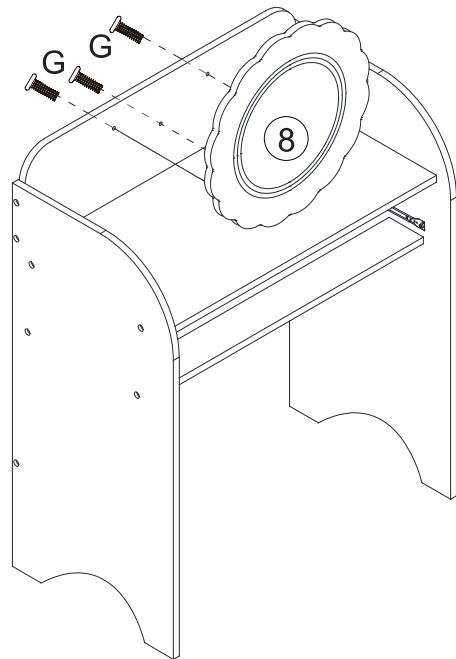
Step 9



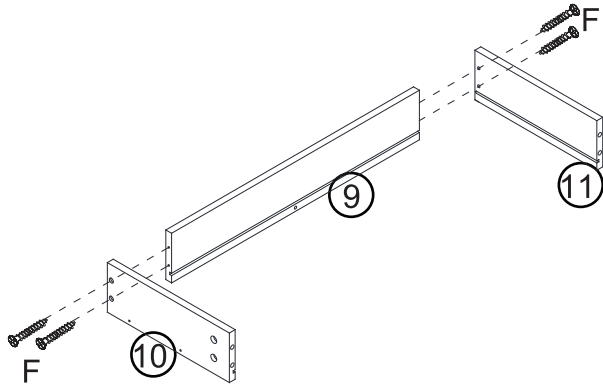
Step 10



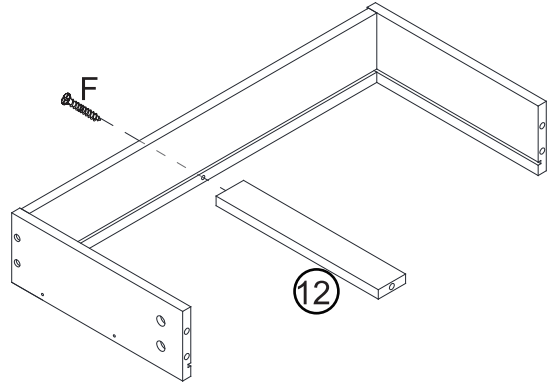
Step 11



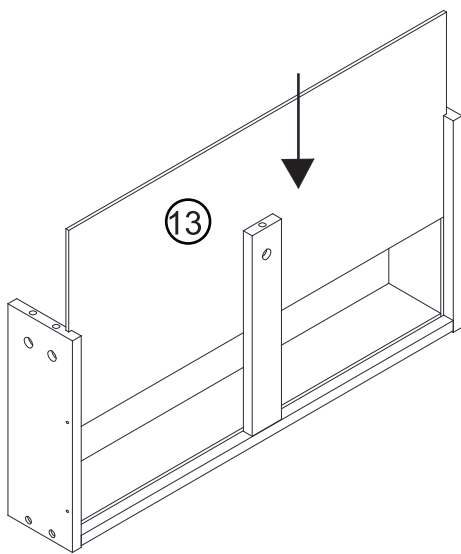
Step 12



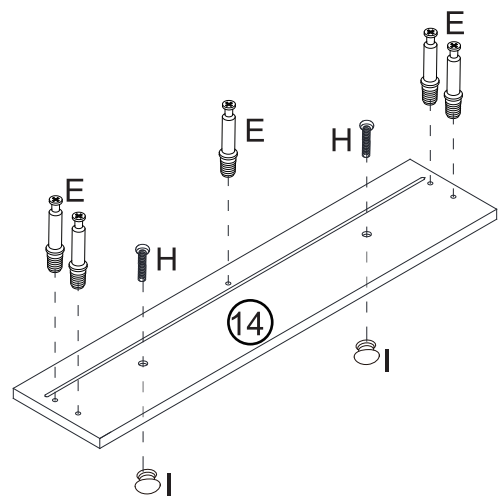
Step 13



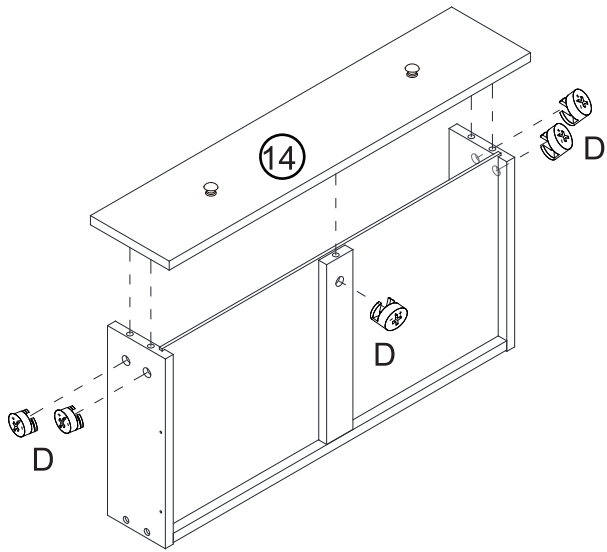
Step 14



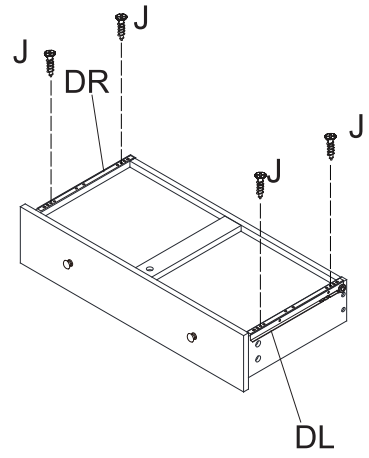
Step 15



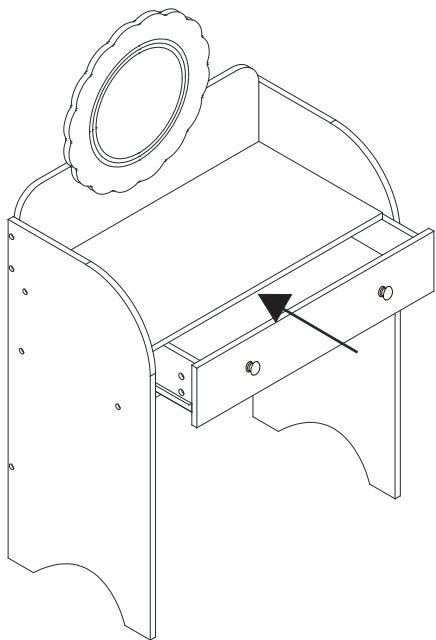
Step 16



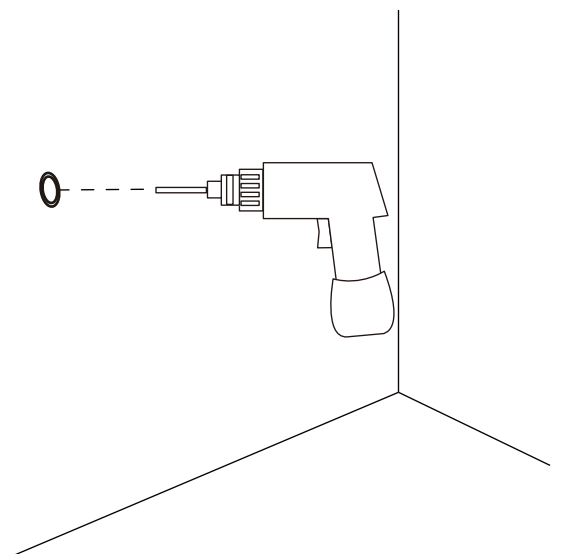
Step 17



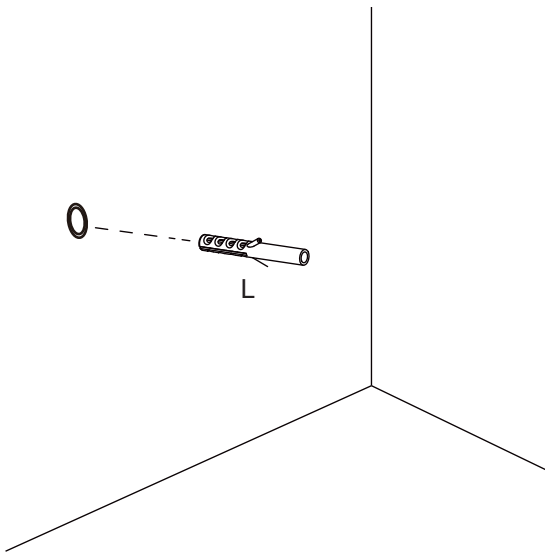
Step 18



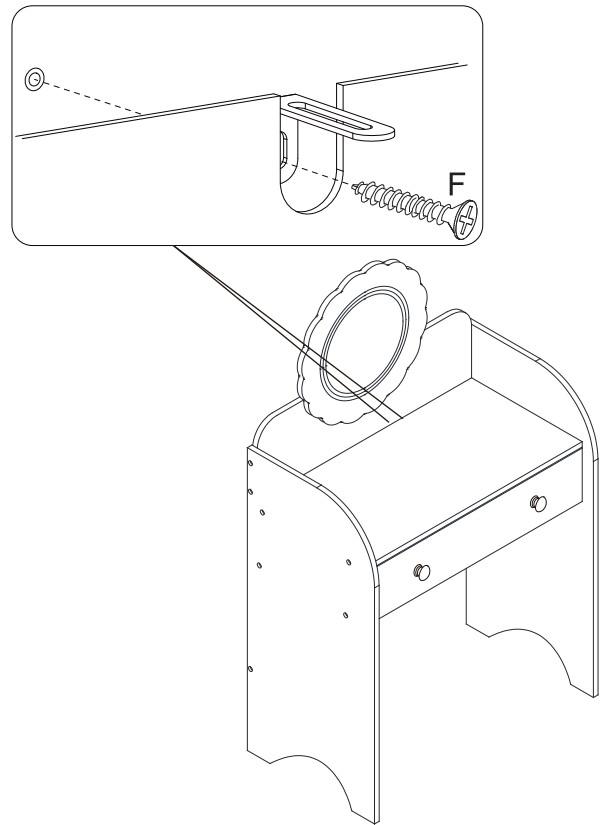
Step 19



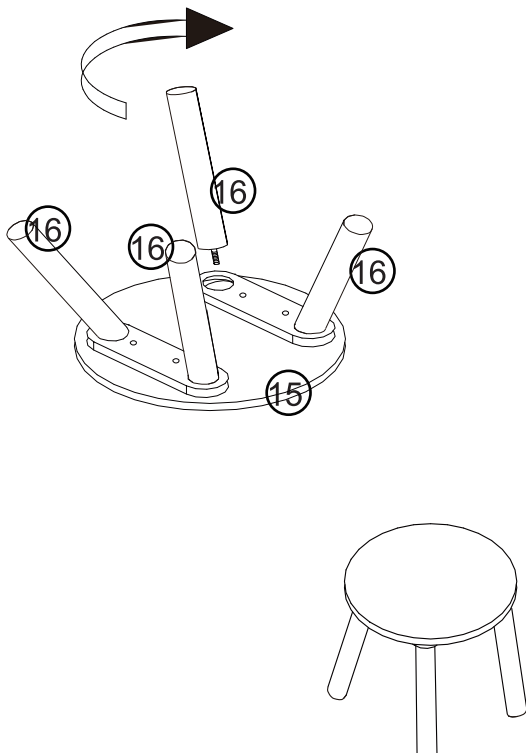
Step 20



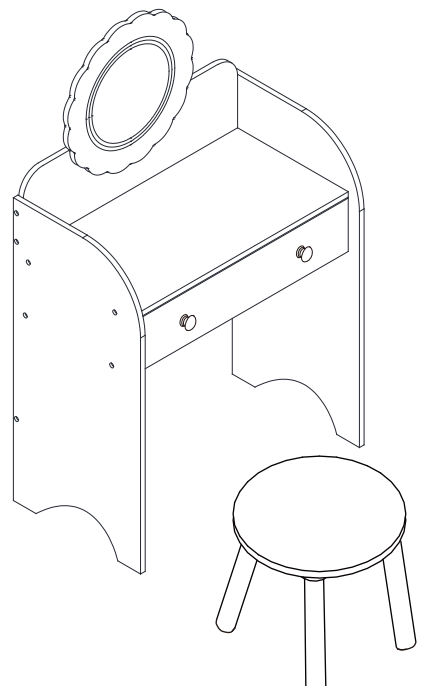
Step 21



Step 22



Step 23



CARE/CLEANING INSTRUCTIONS

- Wipe the acrylic safety mirror clean with a dampened microfibre cloth, as other materials may scratch.
- The set should be cleaned with a damp cloth and dried with a dry cloth, do not use paper as this may be abrasive to the finish.
- DO NOT use bleach or chemical solutions to clean the product.
- DO NOT expose to sunlight or other heat sources for a prolonged period.
- DO NOT store or leave outside.
- Periodically check the tightening of legs and screws.

SAFETY TESTED

The product conforms to:

EN71 Part 1:2014+A1:2018 / EN71 Part 2:2020 / EN71 Part 3:2019+A1:2021 / BS EN17191:2021.
FIRA FRQG C001:2021 / FIRA FRQG C004:2016+A1:2017 / FIRA FRQG C003:2021

WARNINGS

1. **WARNING:** Serious or fatal crush injuries can occur from furniture tip over. ALWAYS secure this unit to wall with wall fixings supplied.
2. DO NOT use this product if any part is broken, torn or missing. Please contact your supplier and spare parts can be supplied – please use only parts approved by the manufacturer.
3. DO NOT place this product near a window, as it can be used as a step by the child and cause the child to fall out of the window.
4. DO NOT place this product near a window where cords from blinds or curtains may strangle a child
5. Be aware of the risk of open fires and other sources of strong heat in the vicinity of the product.
6. Please keep children away from the work area during assembly of this product – due to possible risk of injury.
7. Dispose of all packaging carefully and responsibly.
8. We advise you to keep these instructions in a safe place in case required for future use.
9. Assembly to be carried out by a competent adult only.
10. This product is suitable for children in the age range of 3 to 7 years old.
11. The maximum loading weight of the product is 40 KG.



Liberty House Toys
20-24 Gibraltar Row
King Edward Industrial Estate
Liverpool L3 7HJ
United Kingdom

