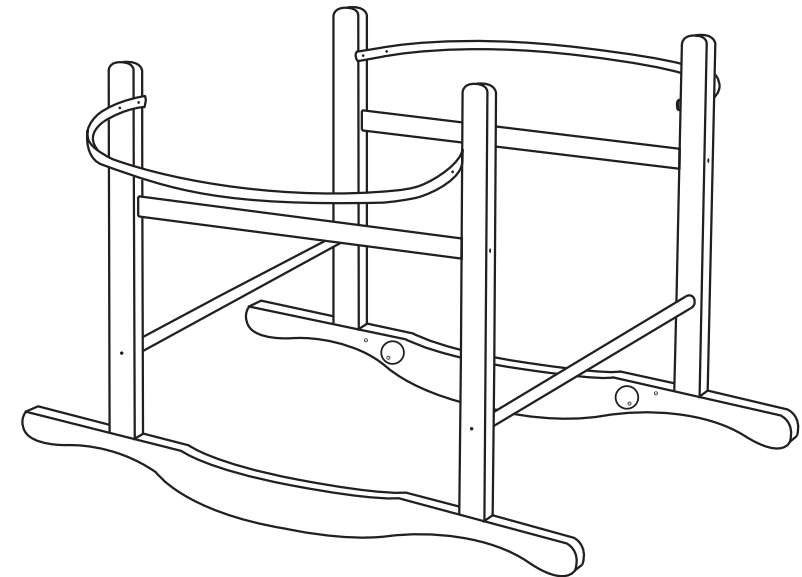


Chester Rocking Stand

ASSEMBLY INSTRUCTIONS



- Dimensions (mm): (L)720-830 x (W)610 x (H)440*
- Min/Max Moses basket base size (mm): (L)670-825 x (W)300-360*

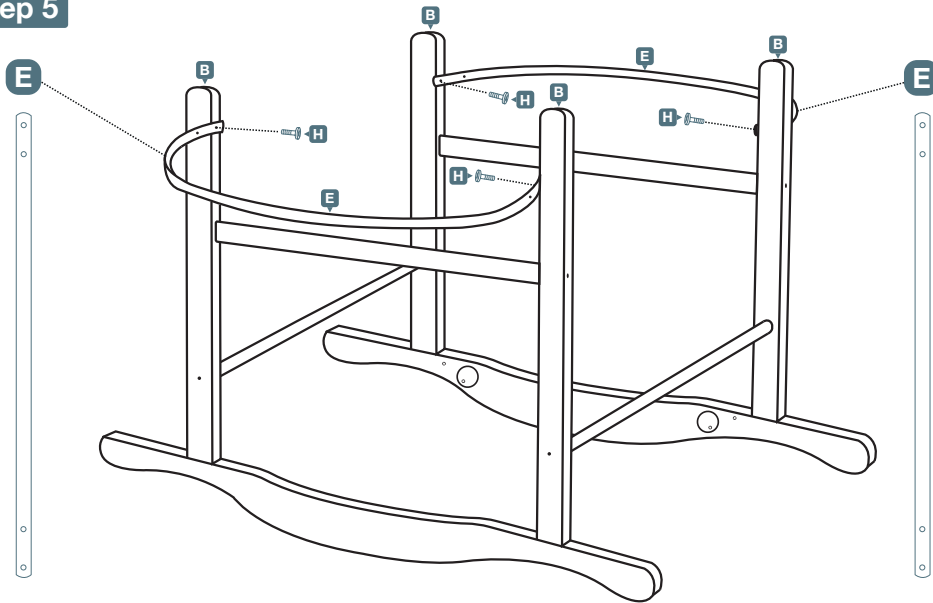
- Colour: Natural • Easy assembly • Safe & Sturdy
- Suitable to use from birth • Rocking motion to soothe baby

*Approx. measurements only. Sizes may vary.

Need Help?
Call 0844 7744 644
or Email sales@kinder-valley.com

**IMPORTANT- Read these instructions carefully
before use and keep for future reference.**

Step 5



Finally, attach plastic rail **E** to legs using the 2 x 15mm screws **H**.

Repeat this step with the remaining plastic rail **E**. The plastic rails have 3 x holes one end and 2 x holes the other to allow for adjustment depending on the size of your Moses basket.

Chester Rocking Stand

Assembly Instructions

BEFORE YOU START

IMPORTANT - RETAIN FOR FUTURE REFERENCE - READ CAREFULLY

Instructions for safe use:

- WARNING - Do NOT attach anything to the stand that may affect its stability.
- WARNING - Remove all packaging materials before use.
- WARNING - Store in a cool, dry place away from children when not in use.
- WARNING - Do NOT let other children play unattended near the Moses basket and stand.
- WARNING - Use only on firm ground which is horizontal, level and dry.
- WARNING - Do NOT use if any part is broken, torn or missing.
- WARNING - Only use replacement parts supplied by or approved by Kinder Valley
- WARNING - Your product can be cleaned with a damp cloth. Never use harsh abrasives, bleach or strong detergents.

FIXTURES & FITTINGS

CHECK THAT YOU HAVE ALL FIXTURES AND FITTINGS BEFORE ASSEMBLY, AND ENSURE THEY ARE NOT BROKEN.

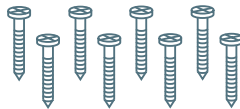
A x2 Curved Base Rail



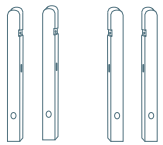
D x2 Crossrails



G x8 30mm Screws



B x4 Legs
x2 Left & x2 Right



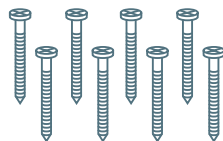
E x2 Plastic Rails



H x4 15mm Screws



F x8 70mm Screws



Number of people to assemble:

One Adult is required to assemble this item.

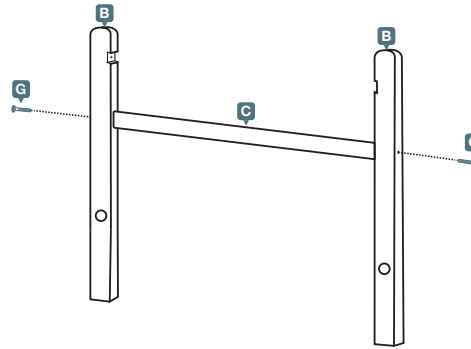
Time to assemble: 20 minutes.

Tools required:
Cross-head screwdriver.

C x2 Support Bars



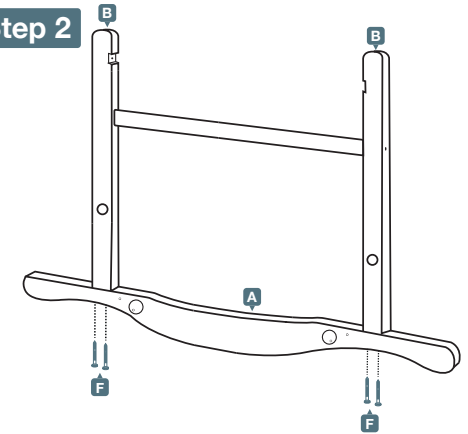
Step 1



Fasten 2 legs **B** to support bar **C** using 2 x 30mm screws **G**. Large holes should be facing the same way.

Repeat this step with the remaining 2 legs **B** and support bar **C**.

Step 2

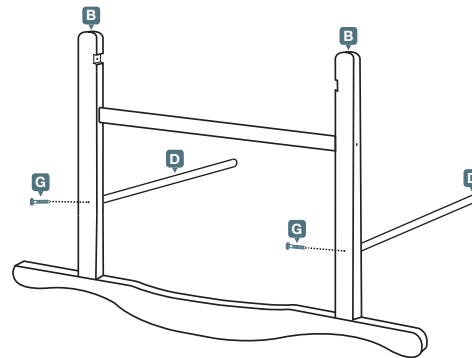


Fasten curved base rail **A** to legs **B** using 4 x 70mm screws **F**.

Repeat this step with the remaining curved base rail **A** and legs **B**.

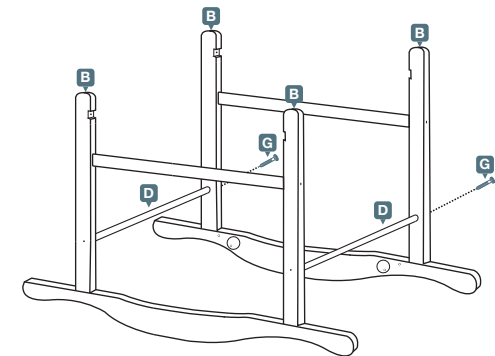
When using the base with the stoppers attached, make sure these are on the inside.

Step 3



Attach 2 x Cross Rails **D** to legs using 2 x 30mm screws **G**.

Step 4



Attach the remaining legs **B** and curved base rail **A** to the main structure using the remaining 2 x 30mm screws **G**.