

# New Hallingford - 2 Door Sliding Robe

Assembly Instructions - Please keep for future reference

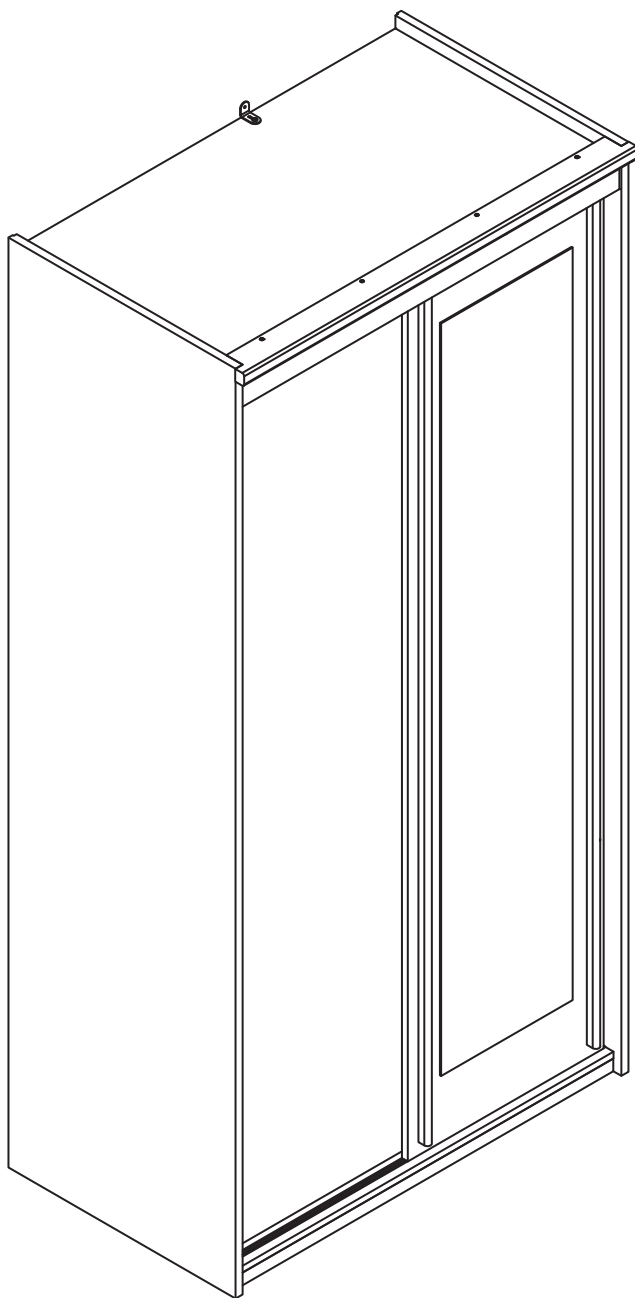
2667537

2498043

2747017

2362241

2458856



## Dimensions

Width - 100,5cm

Depth - 60,3cm

Height - 205,7cm

**Tip : To prevent damage, we recommend that you build your unit on the carton(s) it was packed in.**

**Important – Please read these instructions fully before starting assembly**

If you need help or have damaged or missing parts, please visit: [www.argos-support.co.uk](http://www.argos-support.co.uk) or email: [Help@ClickSpares.co.uk](mailto:Help@ClickSpares.co.uk) (quoting your original order number)

Alternatively, call the Spares Helpline on: **0370 112 1928**

For any other queries please contact the Customer Helpline on: **0345 640 2020**



# Safety and Care Advice

**Important – Please read these instructions fully before starting assembly**

- Check you have all the components and tools listed on pages 2 and 3.
- Remove all fittings from the plastic bags and separate them into their groups.
- Keep children and animals away from the work area, small parts could choke if swallowed.
- Make sure you have enough space to layout the parts before starting.

- Do not stand or put weight on the product, this could cause damage.
- Assemble the item as close to its final position (in the same room) as possible.
- Assemble on a soft level surface to avoid damaging the unit or your floor.
- Parts of the assembly will be easier with 2 people.



power drill is set on a low torque setting.

- Dispose of all packaging carefully and responsibly.

## Care and maintenance

- Only clean using a damp cloth and mild detergent, do not use bleach or abrasive cleaners.
- From time to time check that there are no loose screws on this unit.
- This product should not be discarded with household waste. Take to your local authority waste disposal centre.

## Instruction video



- This manual is provided with an additional instruction video. If the icon on the right is displayed at a particular step in the manual, Follow the link: <http://nlink.nu/homeretail1> Or scan the QR code on the left with your phone.



See page 2 for link to instruction video!

**Note:** if required the next page can be cut out and used as reference throughout the assembly. Keep this page with these instructions for future reference.

# Components - Panels

For damaged or missing parts, please visit:  
[www.argos-support.co.uk](http://www.argos-support.co.uk) or email: [Help@ClickSpares.co.uk](mailto:Help@ClickSpares.co.uk)

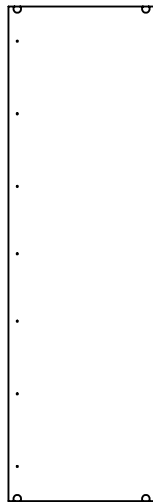
Please check you have all the panels listed below



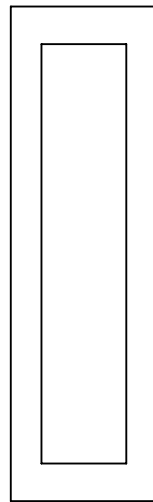
**1** Left side  
(205.6 x 58cm)  
P2350



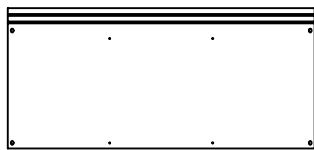
**2** Right side  
(205.6 x 58cm)  
P2350



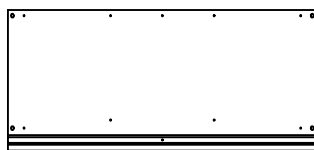
**3** Slide door  
(196.3 x 50cm)  
P3723



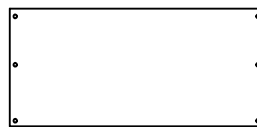
**4** Mirror slide door  
(196.3 x 50cm)  
PS3722



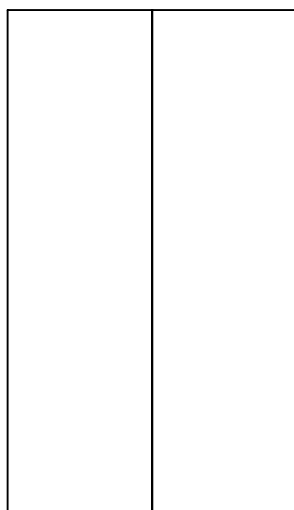
**5** Top  
(96.7 x 55.7cm)  
P1564



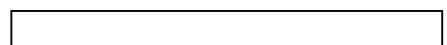
**6** Bottom  
(96.7 x 55.7cm)  
P1565



**7** Large horizontal  
(96.7 x 46.7cm)  
P1563



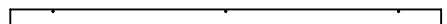
**8** Foldy back  
(199.3 x 98cm)  
BO33933



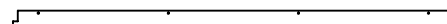
**9** Plinth front  
(96.6 x 14cm)  
P7334C



**10** Plinth back  
(96.6 x 5.4cm)  
P7335C



**11** Plinth top  
(96.7 x 7cm)  
P7293



**12** Pelmet  
(100.5 x 6.5cm)  
FA250



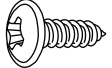


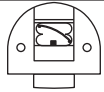

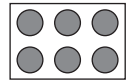
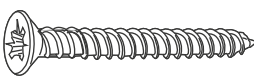



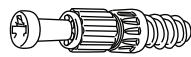
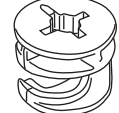

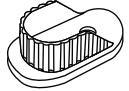

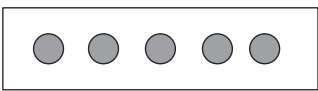
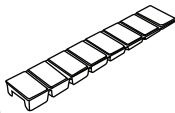
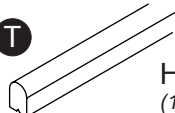

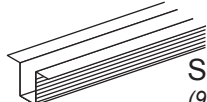

# Components - Fittings

For damaged or missing parts, please visit: [www.argos-support.co.uk](http://www.argos-support.co.uk) or email: [Help@ClickSpares.co.uk](mailto:Help@ClickSpares.co.uk)

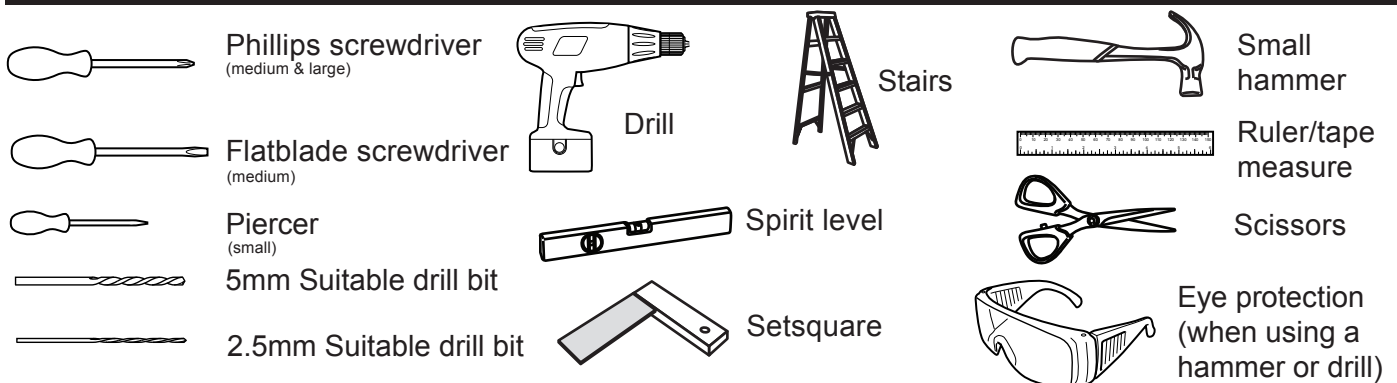
Please check you have all the fittings listed below

**Note:** The quantities below are the correct amount to complete the assembly. In some cases more fittings may be supplied than are required.

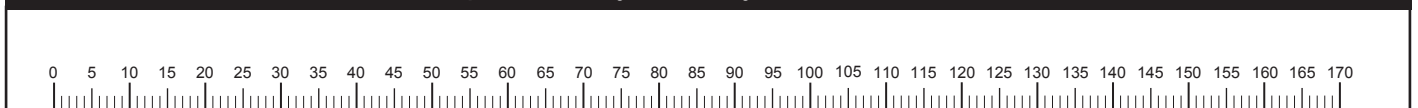
## Door-fittings

<p><b>D</b>  <small>FK1400</small></p> <p>Backpanelscrew x 5 (4x15mm)</p>	<p><b>E</b>  <small>FK1318</small></p> <p>Screw x 21 (3.9x32mm)</p>	<p><b>J</b>  <small>FK1274</small></p> <p>Sliding door roller adjustable x 2</p>
<p><b>K</b>  <small>FK1273</small></p> <p>Sliding door guide x 4</p>	<p><b>L</b>  <small>FK1272</small></p> <p>Sliding door roller x 2</p>	<p><b>Q</b>  <small>FK1416</small></p> <p>Felt x 6</p>
<b>Fittings Carcase</b>		
<p><b>A</b>  <small>FK1324</small></p> <p>Chipboardscrew x 10 (4x40mm)</p>	<p><b>B</b>  <small>FK1051</small></p> <p>Expando housing x 3 (20x12mm)</p>	<p><b>C</b>  <small>FK1056</small></p> <p>Expanding dowel x 3 (5x8.5mm)</p>
<p><b>G</b>  <small>FK1235</small></p> <p>L-Bracket x 1</p>	<p><b>H</b>  <small>FK1011</small></p> <p>Twister leg x 14 (5x24mm)</p>	<p><b>I</b>  <small>FK1012</small></p> <p>Twister cam x 14 (15x12mm)</p>
<p><b>F</b>  <small>FK1309</small></p> <p>Pozi screw x 2 (4x12.5mm)</p>	<p><b>M</b>  <small>FK1217</small></p> <p>Hanger rail support x 2</p>	<p><b>P</b>  <small>FA1515</small></p> <p>Nail x 60</p>
<p><b>R</b>  <small>FK1417</small></p> <p>Doorstop x 5</p>	<p><b>S</b>  <small>FK1234</small></p> <p>Peg x 3</p>	<p><b>T</b>  <small>PR1964</small></p> <p>Handle moulding x 3 (1904mm)</p>
<p><b>U</b>  <small>PM1884</small></p> <p>Hanger rail x 1 (959mm)</p>	<p><b>W</b>  <small>PK1654</small></p> <p>Sliding rail x 4 (966mm)</p>	<p><b>X</b>  <small>ZF99936</small></p> <p>Wall plug and parkerscrew x 1</p>

## Tools required



Ruler- Use this ruler to help correctly identify the screws



# Assembly Instructions

## Step 1

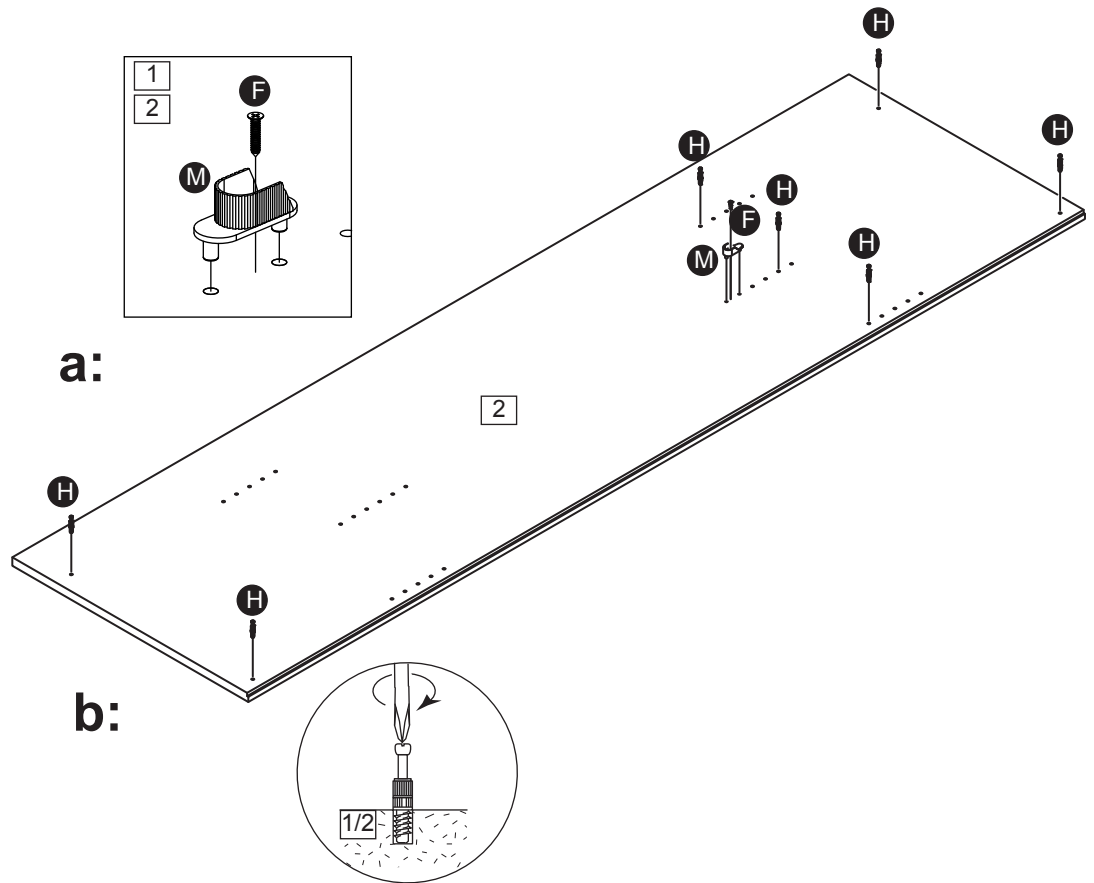
### Insert fittings

**a:** Attach hanger rail support **M** using 12.5mm screw **F** onto sides **1** **2**.

**Note:** Two pannels

**b:** Screw twister leg **H** into sides **1** **2**.

**Note:** twister leg **H** as far as shown.  
**Do not over tighten.**



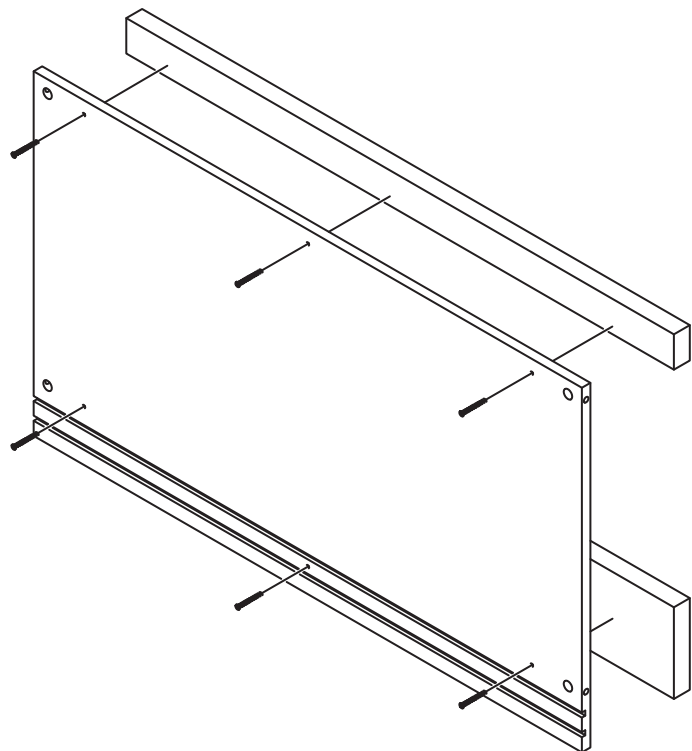
## Step 2

### Attaching plinths

Align the sides of plinth front **9** with bottom **6** as shown and attach using chipboardscrew **A**.

**Note:** predrilled holes for 40mm screw **A**.

Repeat with plinth back **10**.



# Assembly Instructions

## Step 3

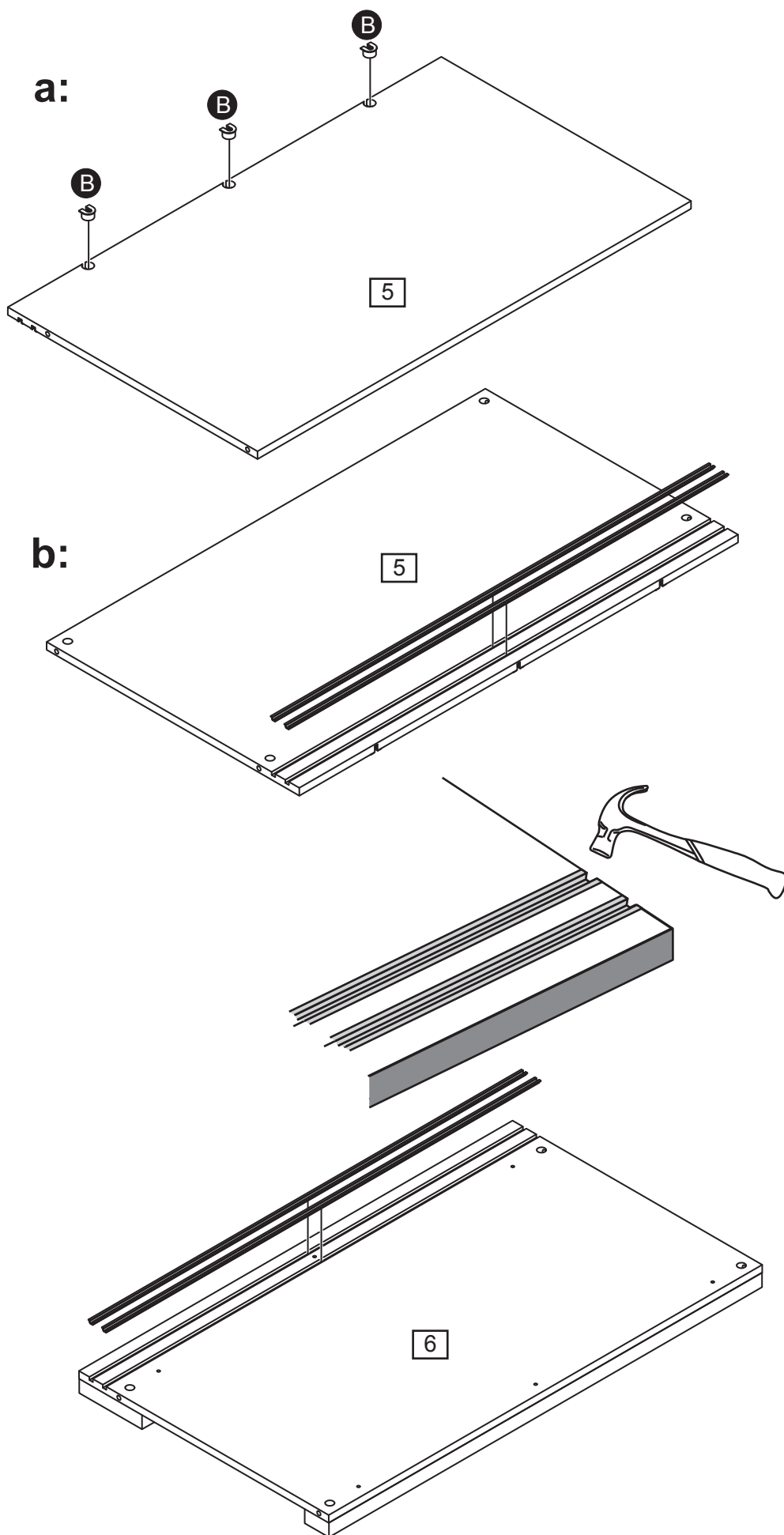
### Insert fittings

**a:** Insert expando housings **B** into top **5**.

### Flip panel

**b:** Carefully knock sliding rail **W** into top **5** by using a hammer.

Repeat **b** for bottom **6**.



# Assembly Instructions

## Step 4

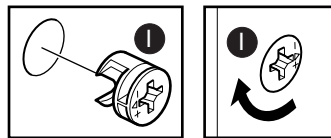
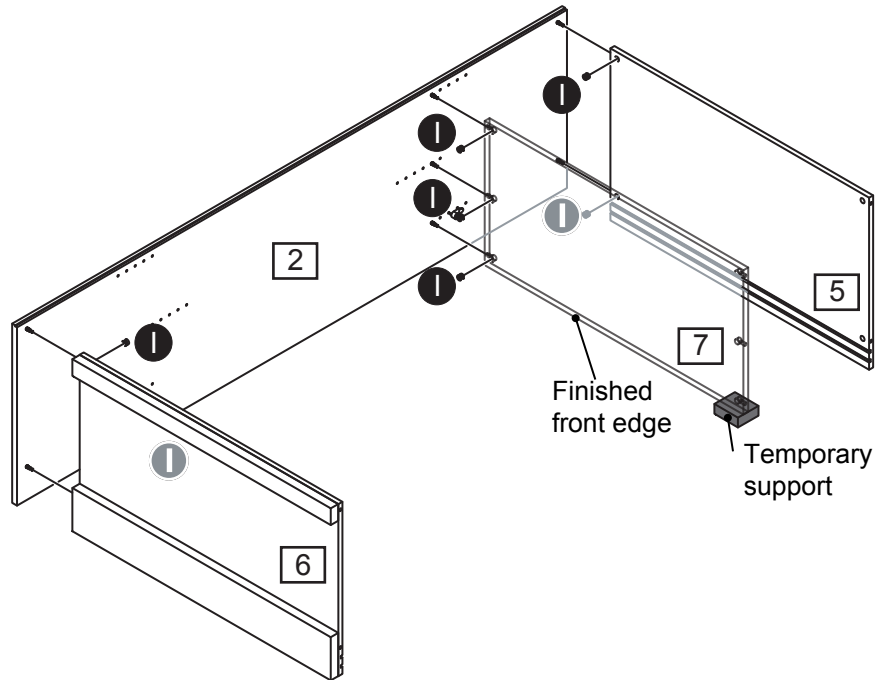
### Attaching panel

Position top [5], bottom [6] and horizontal [7].

Insert twister cam ① into panels [5][6][7] where shown.

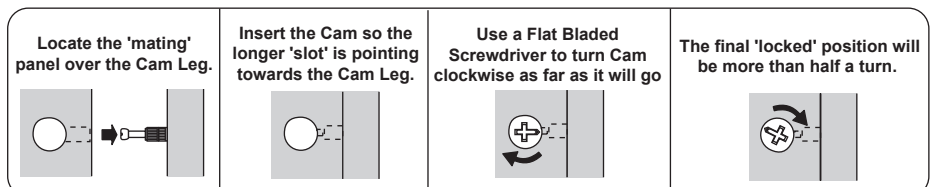
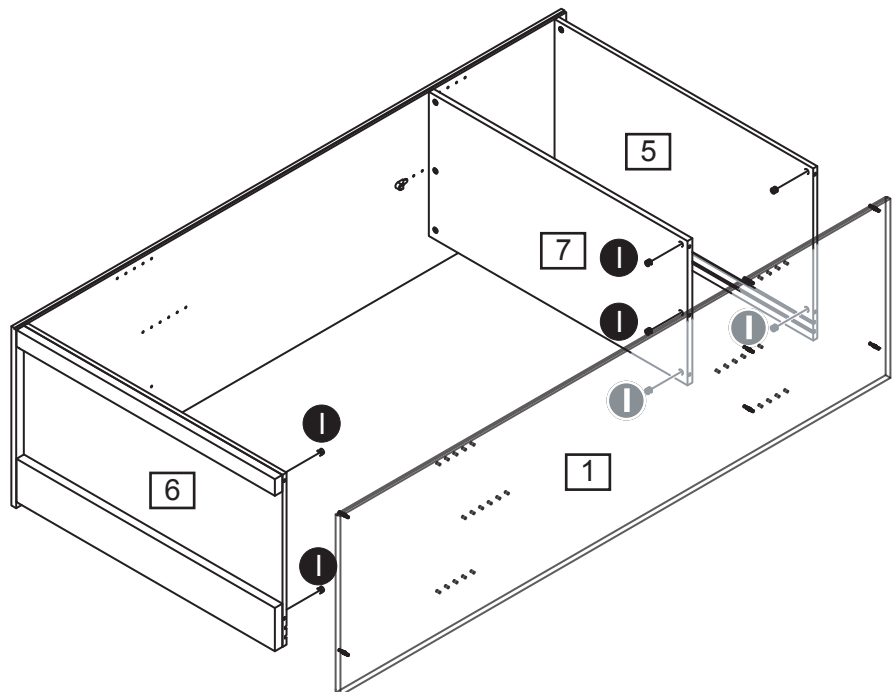
Use a screwdriver to turn twister cam ① clockwise to lock.

Temporary support panel [7] with packaging material until attached to left side [1].



## Step 5

Repeat Step 4 for the left side [1].



# Assembly Instructions

## Step 6

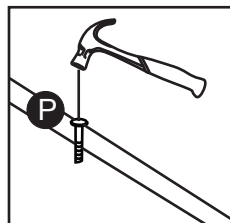
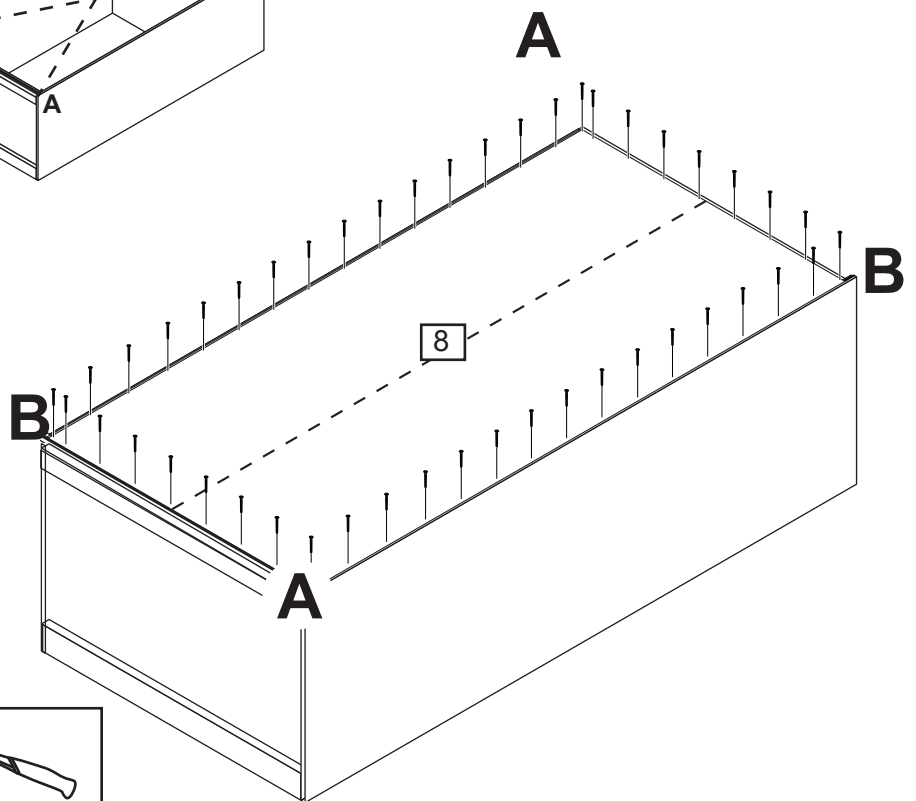
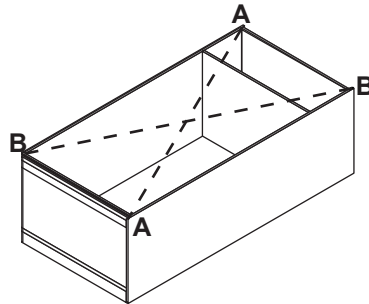
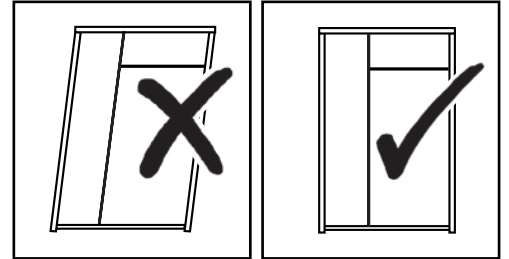
### Fitting back panel



**Important!**  
Cabinet **MUST** be 'square' before back is attached.

Attach foldy back **8** to back of wardrobe with the coloured surface facing the inside of the unit using nails **P**.

Nails **P** should be spaced about 150mm apart.



See page 2 for link to instruction video!



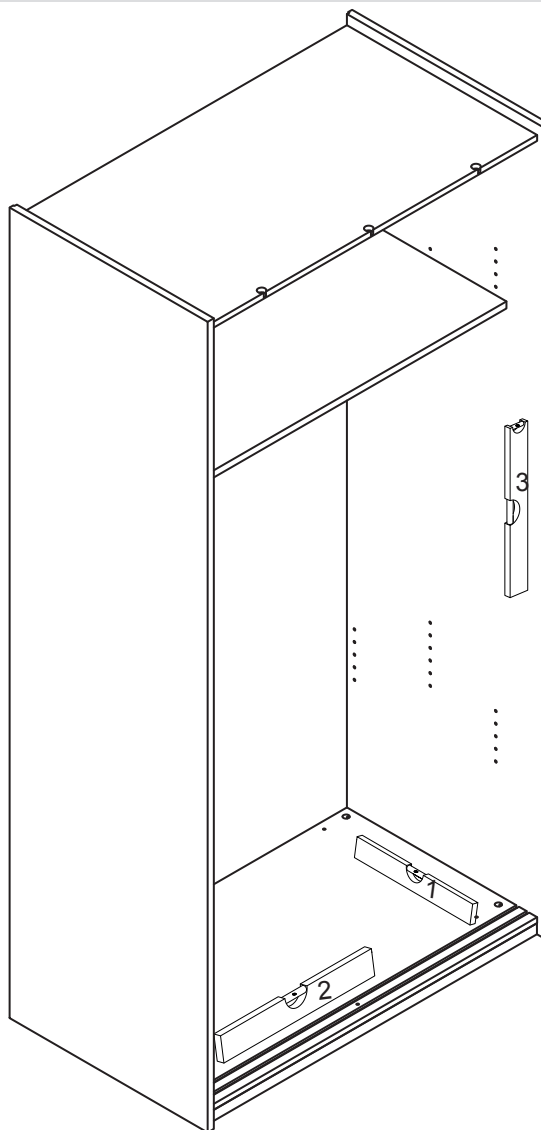
# Assembly Instructions

## Step 7

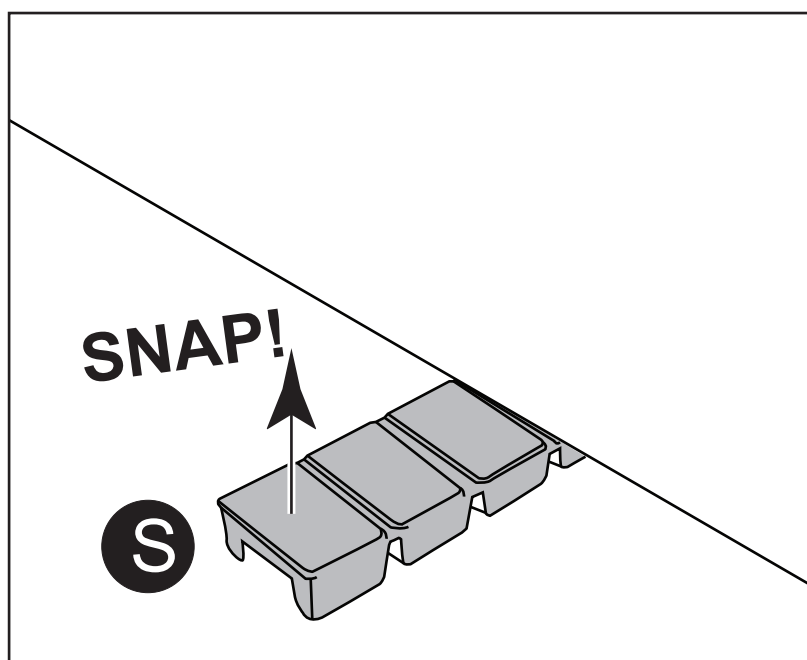
### Align the unit

Stand up the unit

Use a spirit level to check if the base of this unit is level front-to-back (1), side-to-side (2) and top-to-bottom (3) in the three positions shown.



Use pegs **S** to level your unit in all three direction shown. Knock peg **S** in, as far as you require, under the ends of the unit and then snap off peg flush with the panel.

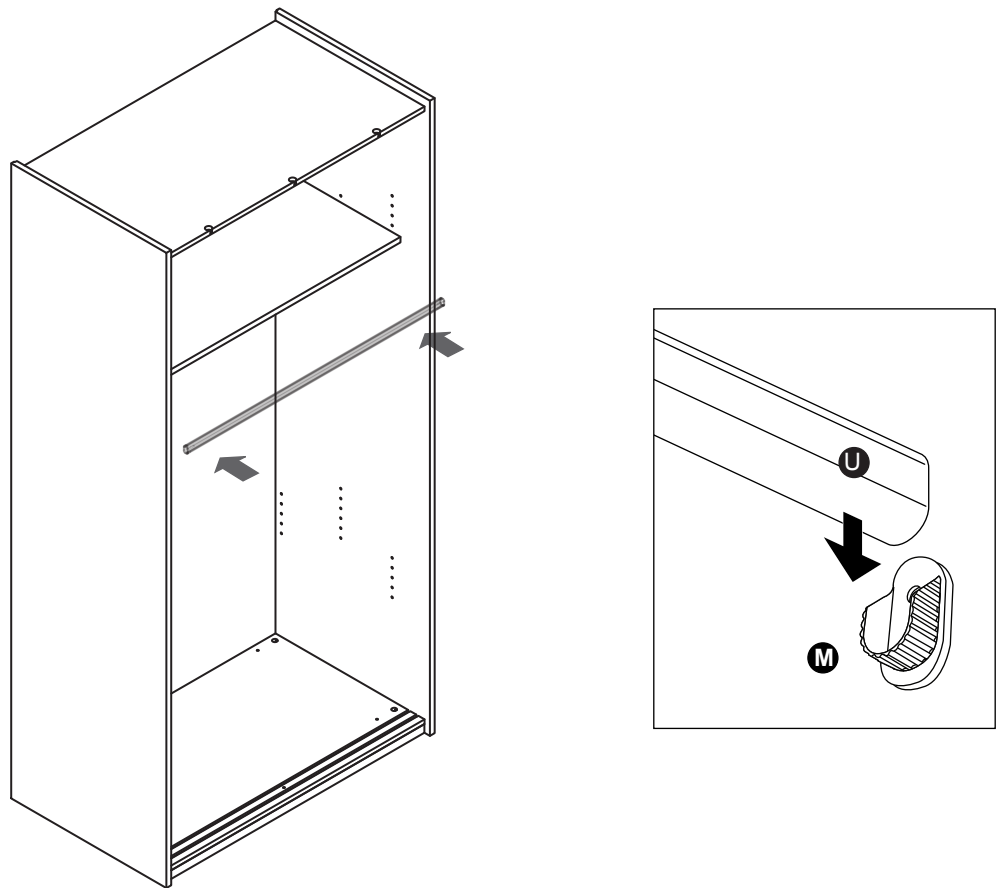


# Assembly Instructions GLASS handle with care

## Step 8

### Insert hanger rail

Place hanger rail **U** onto hanger rail supports **M**.

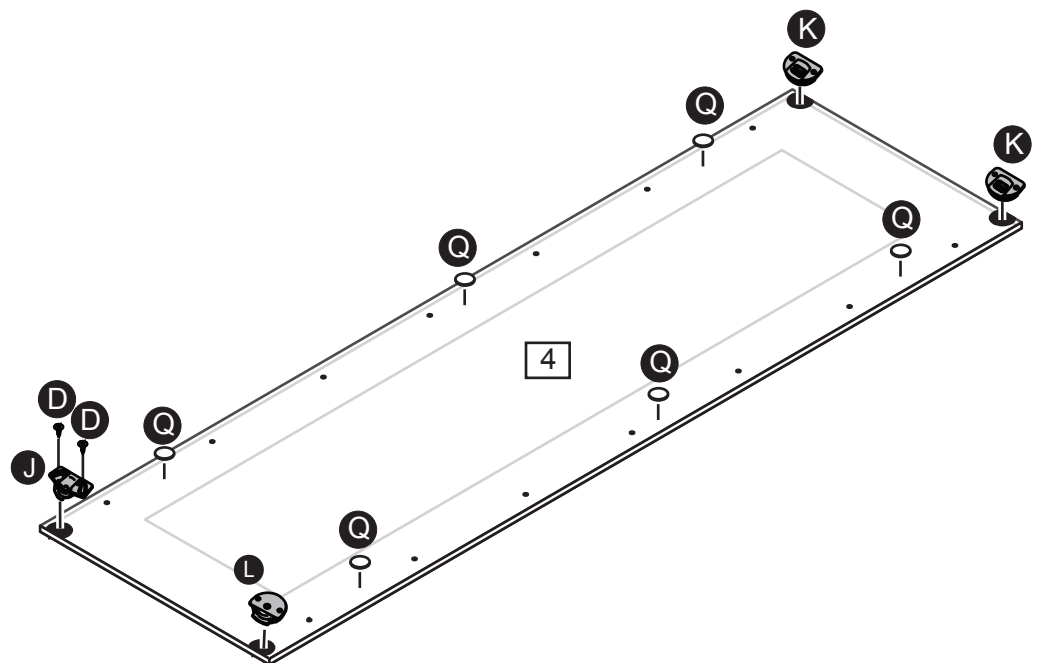


## Step 9

### Insert fittings

Stick felts **Q** onto mirror slide door **4** where shown.

Insert Sliding door roller **L** in mirror slide door **4** on the side which is flush with the handle mouldings **T**. Insert sliding door roller adjustables **J** in slide door **4** on the other side, fix them with backpanelscrews **D**. Insert sliding door guides **K** on the other end of the mirror slide door **4**.



# Assembly Instructions GLASS handle with care

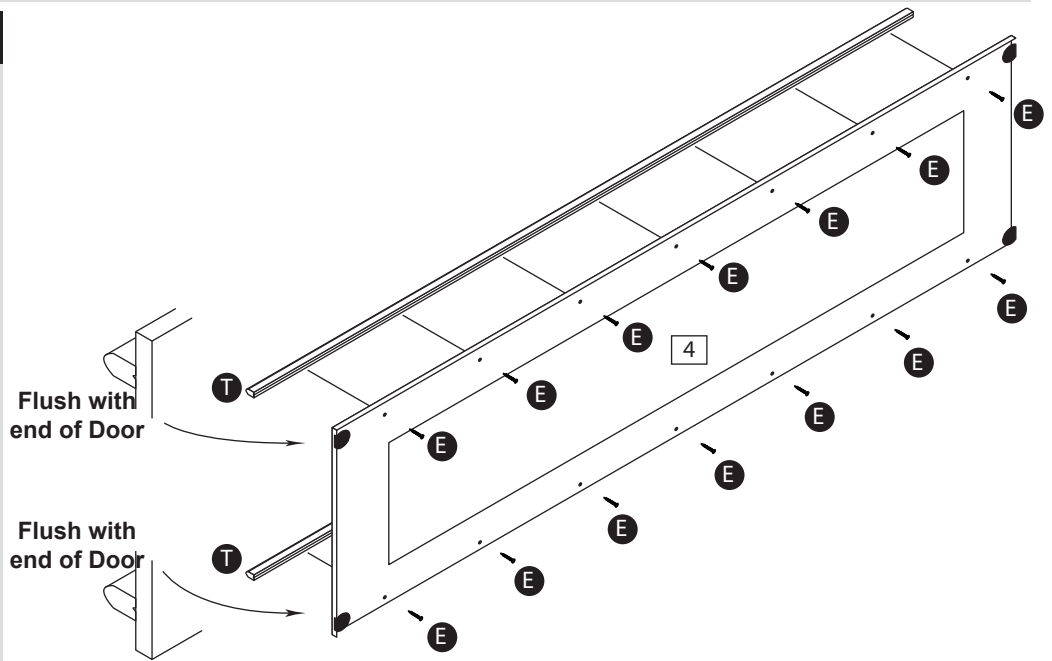
## Step 10

### Fitting handle to mirrordoor

Hold handle mouldings **T** up against front of mirror slide door **4**, make sure the ends are flush with one end of the mirror slide door **4**.

Screw screws **E** into the 'V' groove of the handle moulding **T**.

**Tip:** start with the end screws, then the centre screw and finally the other screws.

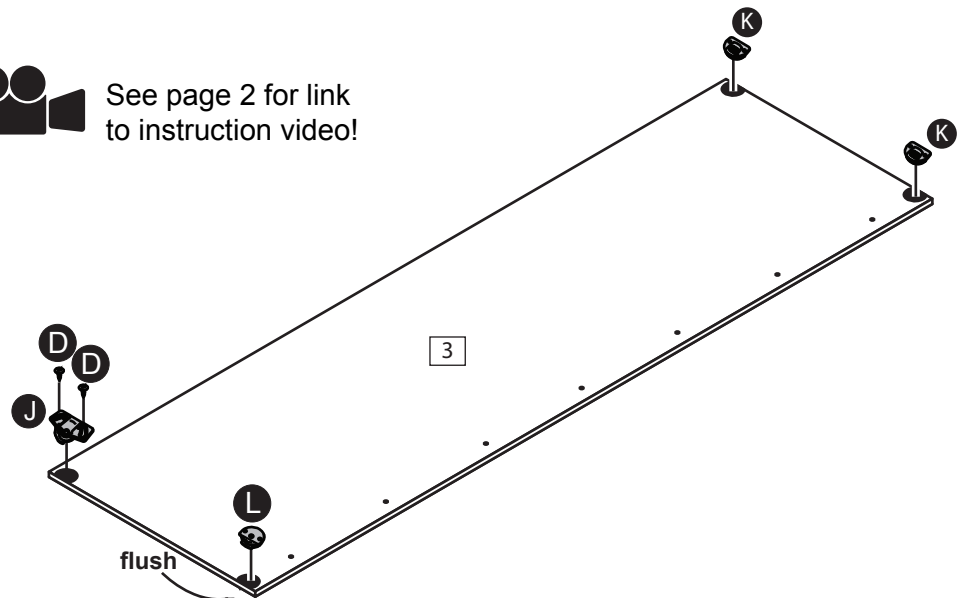


## Step 11

Insert Sliding door roller **L** in slide door **3** on the side which is flush with the handle mouldings **T**. Insert sliding door roller adjustables **J** in slide door **3** on the other side, fix them with backpanelscrews **D**. Insert sliding door guides **K** on the other end of the slide door **3**.



See page 2 for link to instruction video!



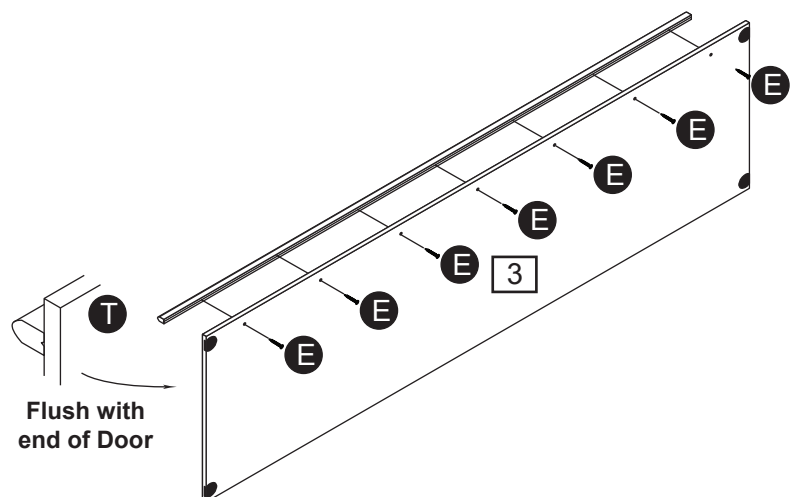
## Step 12

### Fitting handle to door

Hold handle moulding **T** up against front of slide door **3**, make sure the ends are flush with one end of the slide door **3**.

Screw screws **E** into the 'V' groove of the handle moulding **T**.

**Tip:** start with the end 3 screws, then the centre screw and finally the other screws.



# Assembly Instructions

## Step 13

### Fitting of the doors



#### **Important!**

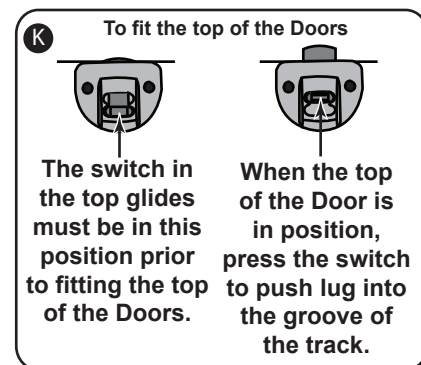
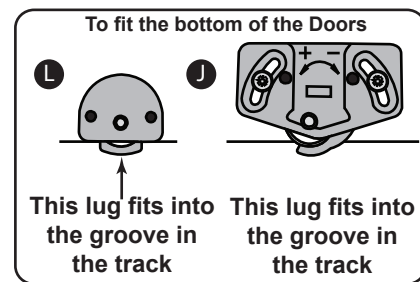
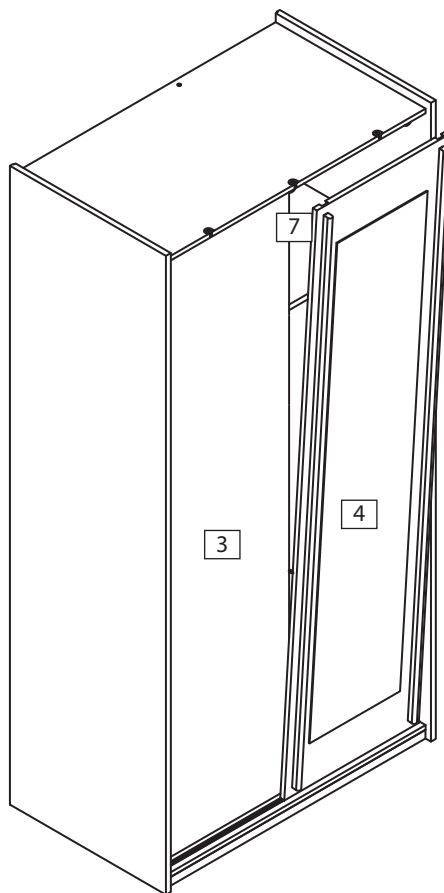
Double check if the unit is level before fitting the doors. If this is not the case please go back to step 12.

a. Fit bottom slide door **3** into the rear track and lean the top back to horizontal **7**.

b. Fit mirror slide door **4** into the front track and secure it.

c. Then fit top slide door **3** in rear track and secure.

See diagrams for more information about the fitting of the doors.



See page 2 for link to instruction video!

## Step 14

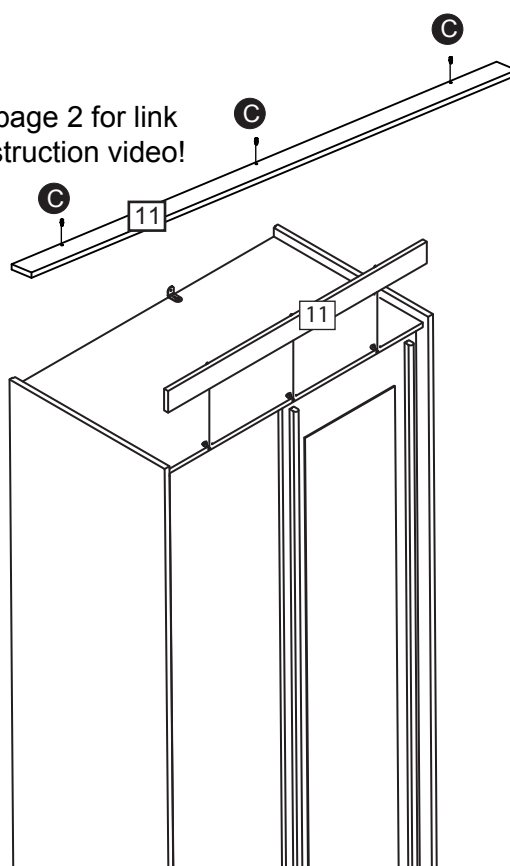
### Insert fittings

Screw expanding dowel **C** into plinth top **11**.

## Step 15

### Attaching plinth

Position the plinth top **11** above the unit and slot expanding dowels **C** into the expando housing **B**. The top of the plinth top **11** must be flush with the top of the unit. Turn the screws in the expando housings **B** as far as they will go.

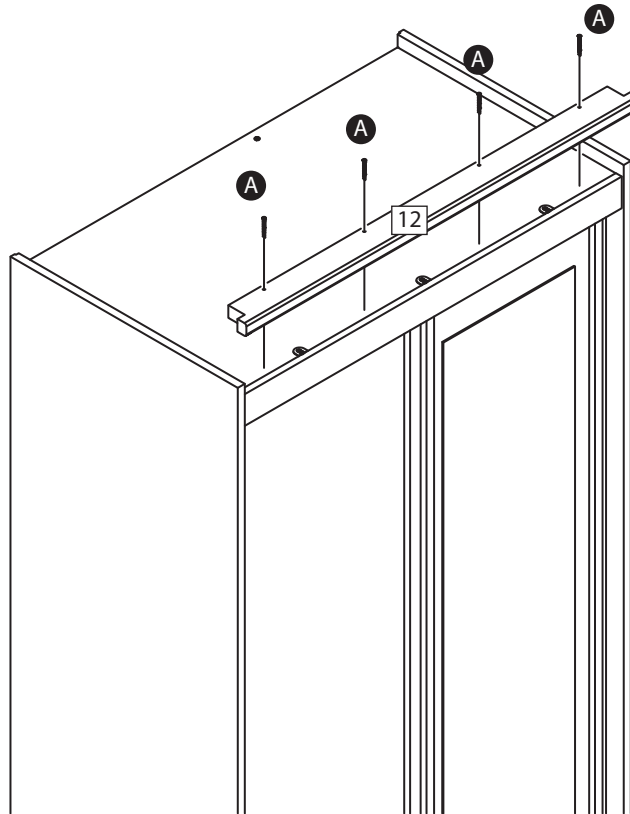


# Assembly Instructions

## Step 16

### Attaching pelmet

Position the pelmet **12** above the unit drilling-holes and turn the screws **A** as far as they will go.



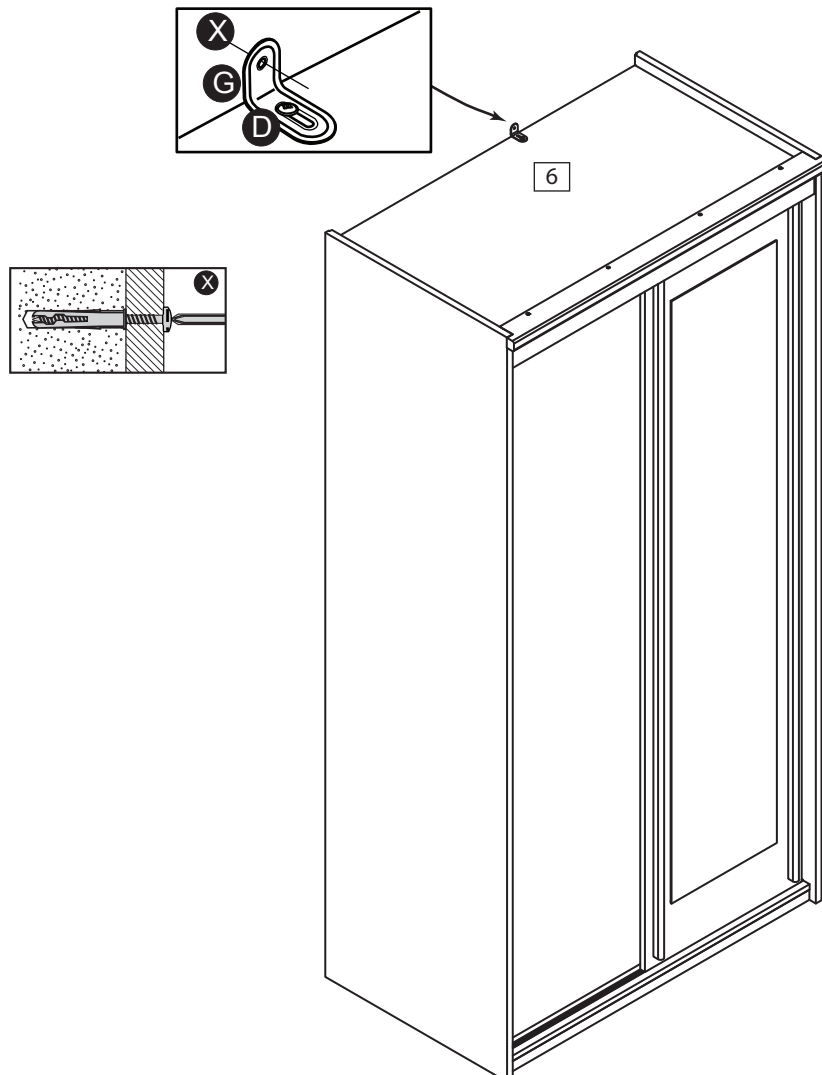
## Step 17

### Attaching L-bracket

Position L-Bracket **G** onto top **6** as shown, fix by using 15mm screw **D**.

**Note:** there are no pre-drilled holes for 15mm screw **D**.

Use **X** to fix on the wall, please see last page for more information.

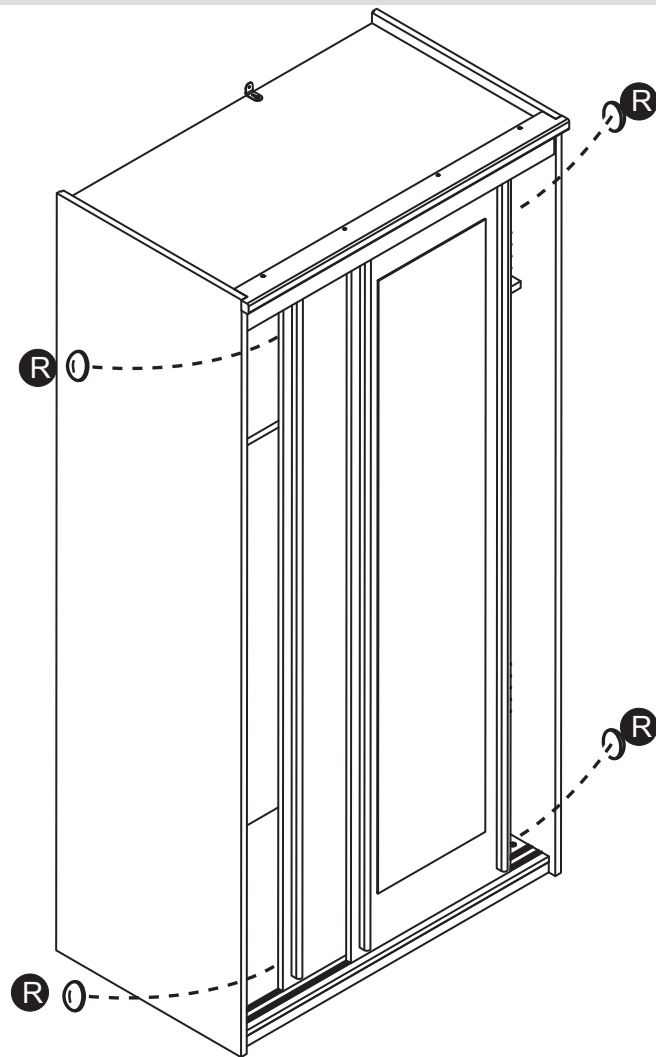


# Assembly Instructions

## Step 18

### Attaching door-stops

Stick 2 door-stops **R** onto the outside edge of each plain door to act as buffers between the doors and side panels.



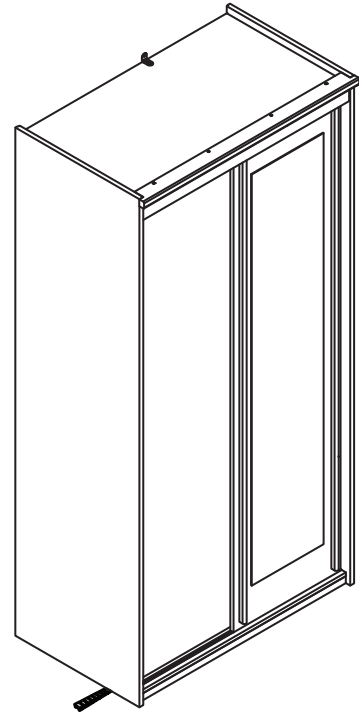
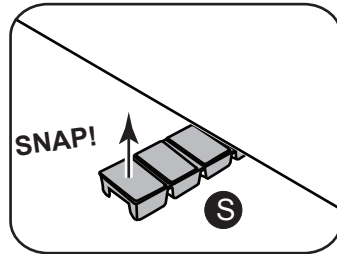
# Assembly Instructions

If your doors do not run smoothly

## Level & square the unit

Level & square the unit up: Knock the pegs **S** in, as far as you require, under the ends of the unit and then snap off flush with the panel.

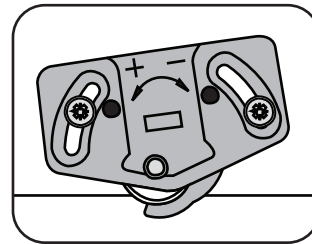
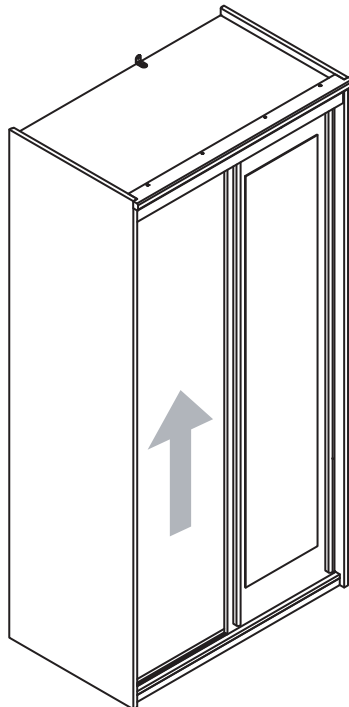
For more detailed information see step 7.



## Raise the door

To raise the door, loosen the screws and swivel the glide towards the '+' arrow.

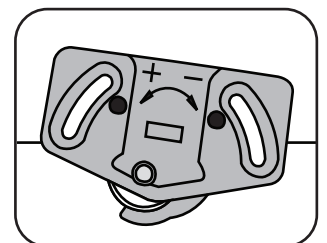
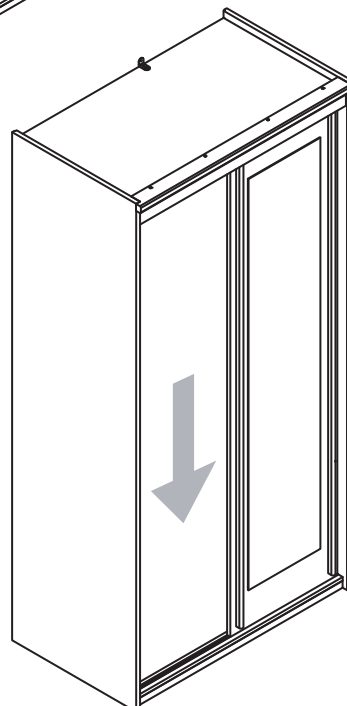
Re-tighten the screws.



## Lower the door

To lower the door, loosen the screws and swivel the glide towards the '-' arrow.

Re-tighten the screws.



# A Guide to - Wall Mounting & Fixings

## Important note:

If plastic wall plugs are supplied with your product:



- these are only suitable for use in masonry walls.

If you are in any doubt about the correct wall plugs for your wall, seek professional advice.


Failure of the product due to using incorrect fixings is the responsibility of the installer.



**Important:** When drilling into walls always check that there are no hidden wires or pipes etc.

Make sure that the screws and wall plugs being used are suitable for supporting your unit. Consult a qualified tradesperson if you are unsure.

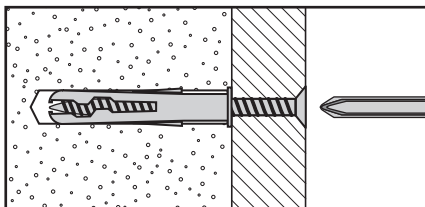
## Hints:

- 1: **General rule:**  Always use a larger screw and wall plug if you are not sure.
- 2: Ensure you use the recommended drill bit to match the wall plug and hole size.
- 3: Ensure you drill the hole horizontally, do not force the drill or enlarge the hole.
- 4: Take extra care when drilling high walls, ceilings and ceramic tiles. Ensure wall plugs are inserted beyond the thickness of the ceramic tiles to avoid the tiles splitting or cracking.
- 5: Ensure wall plugs are well fitted and are a tight fit in the drilled hole.

## Types of walls

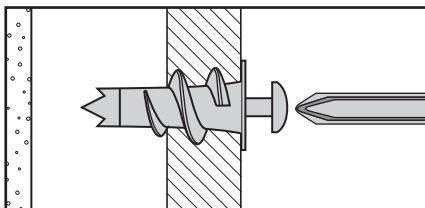
You can use one of the following types of wall plug if your walls are made of brick, breeze block, concrete, stone or wood.

### No.1 "General Purpose" wall plug



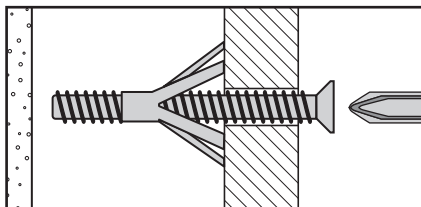
Generally aerated blocks should not be used to support heavy loads, use a specialist fitting in this case. For light loads, general purpose wall plugs can be used.

### No.2 "Plasterboard" wall plug



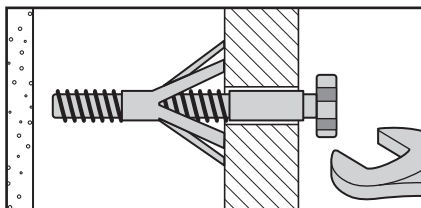
For use when attaching light loads on to plasterboard partitions.

### No.3 "Cavity Fixing" wall plug



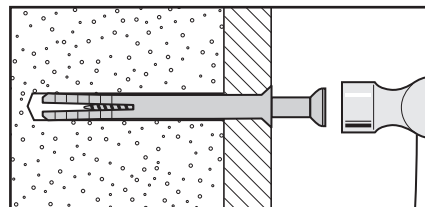
For use with plasterboard partitions or hollow wooden doors.

### No.4 "Cavity Fixing-Heavy Duty" wall plug



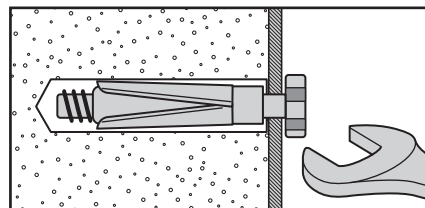
For use when fitting or supporting heavy loads such as shelving, wall cabinets and coat racks.

### No.5 "Hammer Fixing" wall plug



For use with walls stuck with plasterboard. The hammer fixing allows it to be fixed to the wall rather than the plasterboard. Always check the fixing is secure to the retaining wall.

### No.6 "Shield Anchor" wall plug Heavy loads



For use with heavier loads such as TV & HiFi speakers and satellite dishes etc.



## Care & Maintenance

**Safety:** Always check the fitting and location to ensure your safety in and around the home.

**Fitting:** From time to time check the fitting to ensure the wall plugs or screws do not become loose.